



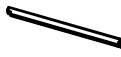

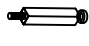
ASSEMBLY INSTRUCTION

FOR SIDE RAIL

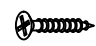

(BOX 1)
BOX OF HEADBOARD & FOOTBOARD

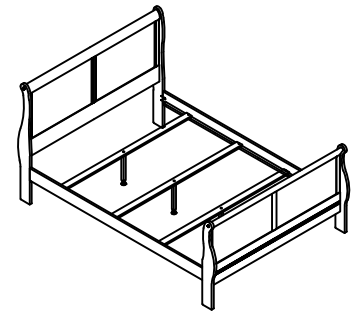
| ITEM | DRAWING | DESCRIPTION | Qty |
|------|---|-------------|-----|
| A |  | HEADBOARD | 1 |
| B |  | FOOTBOARD | 1 |

(BOX 2)
BOX OF SIDE RAIL

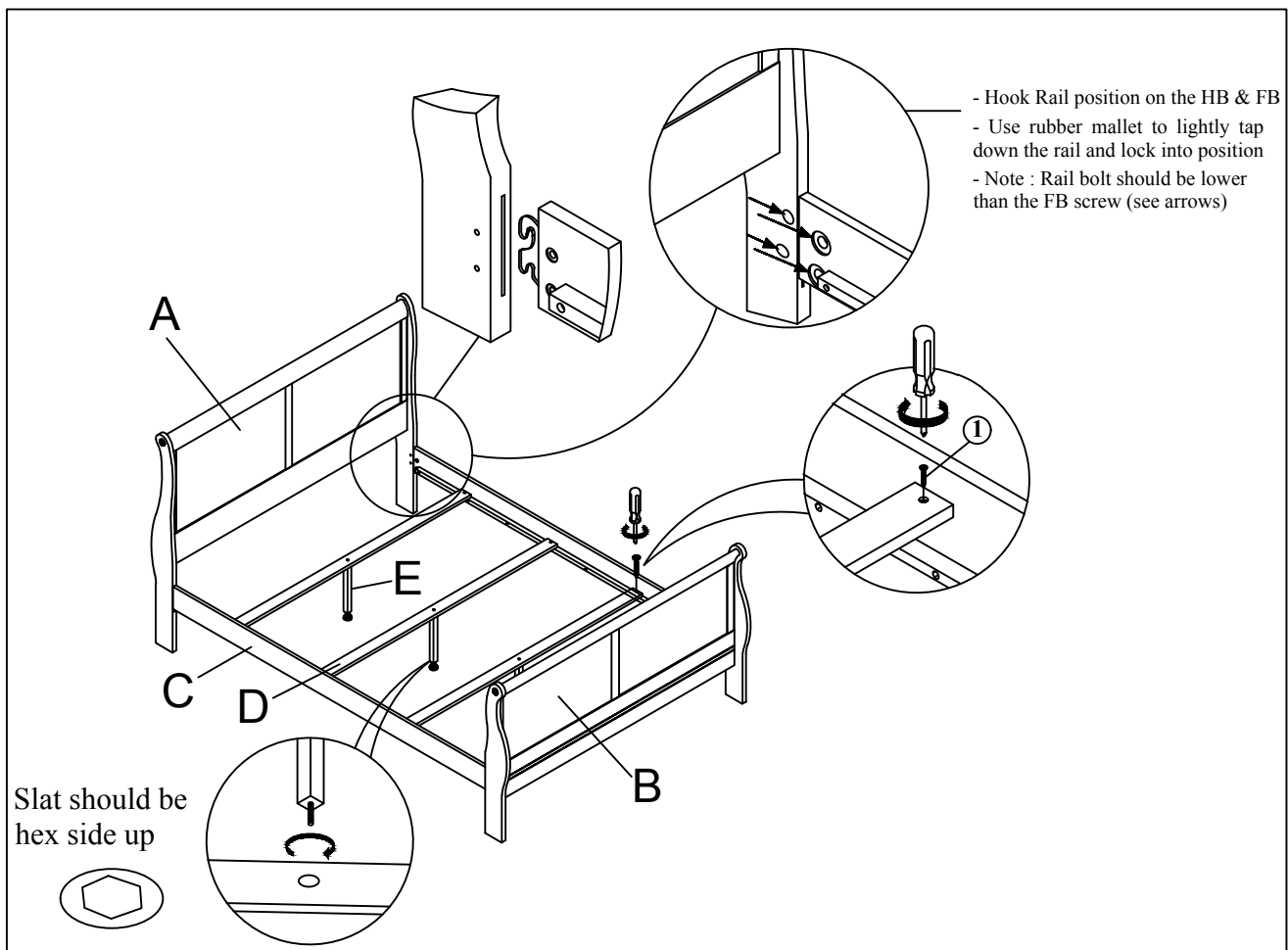
| ITEM | DRAWING | DESCRIPTION | Qty |
|------|---|----------------|-----|
| C |  | SIDE RAIL | 2 |
| D |  | WOODEN SLAT | 3 |
| E |  | WOODEN SUPPORT | 3 |

(BOX 2)
HARDWARE LIST

| ITEM | DRAWING | DESCRIPTION | Qty |
|------|---|------------------------|-----|
| 1 |  | CB SCREW (M4 *28mm) | 6 |
| 2 |  | SCREW DRIVER(*) | 1 |



**COMPLETED FULL BED
ASSEMBLY**



THE HARDWARE IS LOCATED THE PACKING ITEMS

NOTE: MUST TIGHTEN SCREWS PERIODICALLY WITH USE SCREWS MAY BECOME LOOSE.

CHECK TIGHTNESS OF ALL SCREWS EVERY 6-8 WEEKS.

CLEANING INSTRUCTION

After assembled, clean & polish the completed parts if necessary with soft cloth and industrial recognized furniture polish.

MADE IN VIETNAM