

# ASSEMBLY INSTRUCTIONS



### ASSEMBLY TIPS:




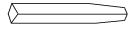



1. Remove hardware from box and sort by size
2. Please check to see that all hardware and parts are present prior start of assembly.
3. Please follow attached instructions in the same sequence as numbered to assure fast & easy assembly.



#### Warning!

1. Don't attempt to repair or modify parts that are broken or defective. Please contact the store immediately.
2. This product is for home use only and not intended for commercial establishment

## PARTS IDENTIFICATION

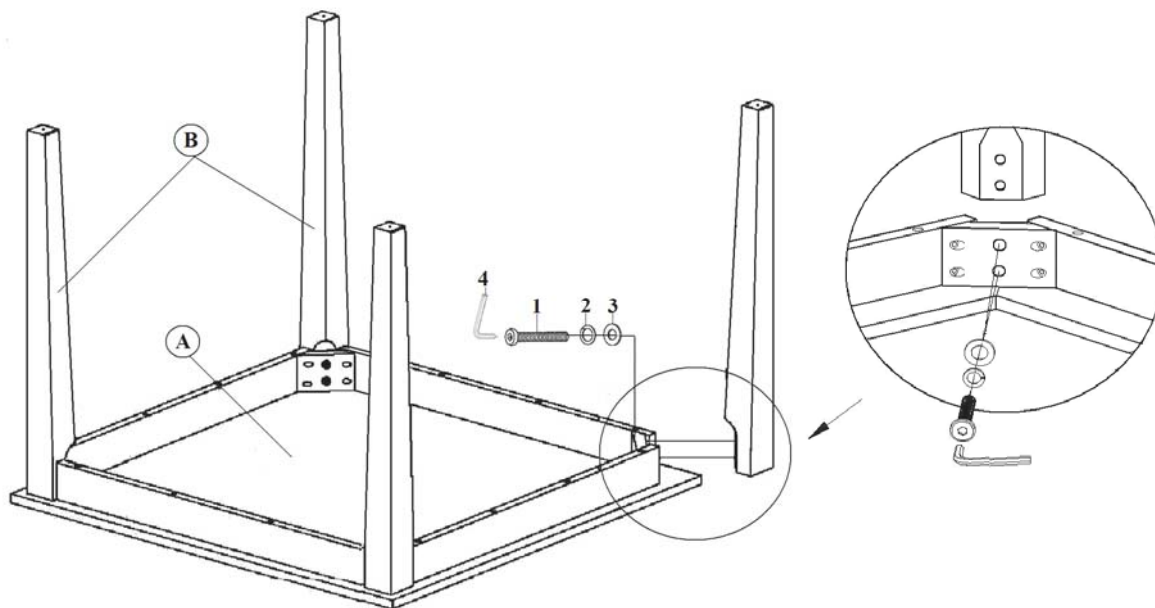
|   |   |                         |       |
|---|---|-------------------------|-------|
| A |    | TABLE TOP               | 1 PC  |
| B |    | TABLE LEG               | 4 PCS |
| C |    | CHAIR BACK              | 4 PCS |
| D |    | CUSHION SEAT WITH FRAME | 4 PCS |
| E |   | FRONT LEG               | 8 PCS |
| F |  | LEFT SIDE STRETCHER     | 4 PCS |
| G |  | RIGHT SIDE STRETCHER    | 4 PCS |
| H |  | FRONT STRETCHER         | 4 PCS |

## HARDWARE IDENTIFICATION

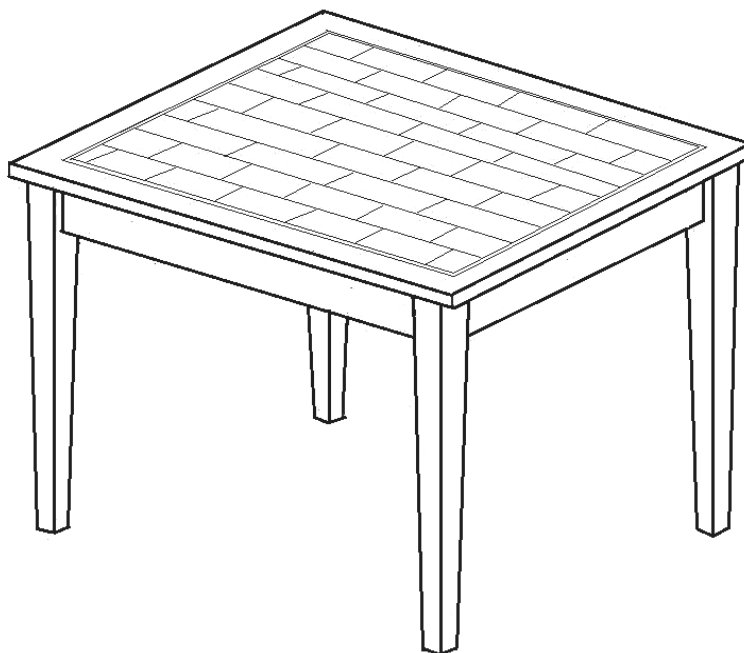
|    |   |                    |        |
|----|---|--------------------|--------|
| 1  |  | LARGE MEDIUM BOLT  | 8 PCS  |
| 2  |  | LARGE LOCK WASHER  | 8 PCS  |
| 3  |  | LARGE FLAT WASHER  | 8 PCS  |
| 4  |  | LONG ALLEN WRENCH  | 1 PC   |
| 5  |  | LONG BOLT          | 16 PCS |
| 6  |  | SMALL MEDIUM BOLT  | 16 PCS |
| 7  |  | SHORT BOLT         | 4 PCS  |
| 8  |  | SMALL LOCK WASHER  | 36 PCS |
| 9  |  | SMALL FLAT WASHER  | 36 PCS |
| 10 |  | SHORT ALLEN WRENCH | 1 PC   |
| 11 |  | FLAT HEAD SCREW    | 24 PCS |

NOTE: QUANTITIES SHOWN ARE FOR TWO CHAIRS

**STEP 1** Place table top upside down on soft surface. Align and fasten table legs to table top using large medium bolt, large lock washer and large flat washer and tighten with Allen wrench

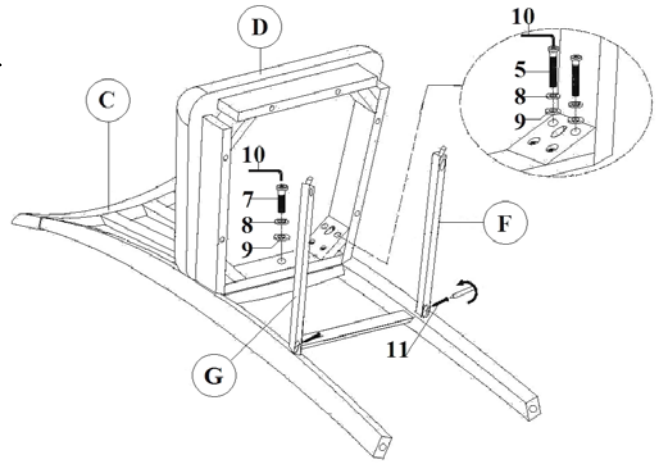


**STEP 2 : Complete**



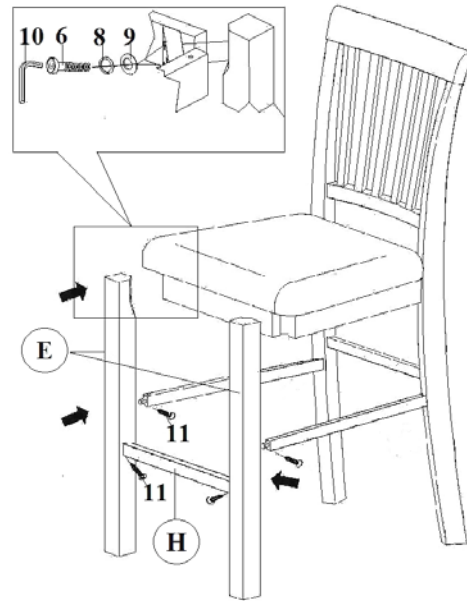
### STEP 3

- ( 1 ) Align and fasten cushion seat with frame to chair back bottom rail using short bolt, small lock washer and small flat washer and tighten with Allen wrench
- ( 2 ) Fasten cushion seat with frame to chair back leg using long bolt, small lock washer and small flat washer then tighten with Allen wrench



### STEP 4

- ( 1 ) Align and insert front stretcher into front leg,
- ( 2 ) Align and insert side stretcher into the chair back leg
- ( 3 ) Align and insert side stretcher into front leg, fasten front leg to cushion seat with frame using small medium bolt, small lock washer and small flat washer and tighten with Allen wrench.
- ( 4 ) Insert screw into the bottom of front and side stretcher and tighten with screw driver ( not included )



### STEP 5 : Complete

