

ASSEMBLY INSTRUCTION

PARTS LIST

A

B

C

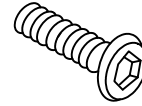
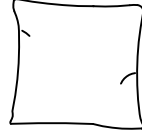
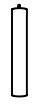
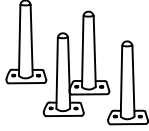
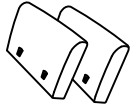
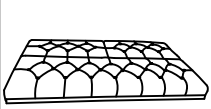
D

E

F

G

H



Sofa 1pc

Armrest 2pcs

Leg 4pcs

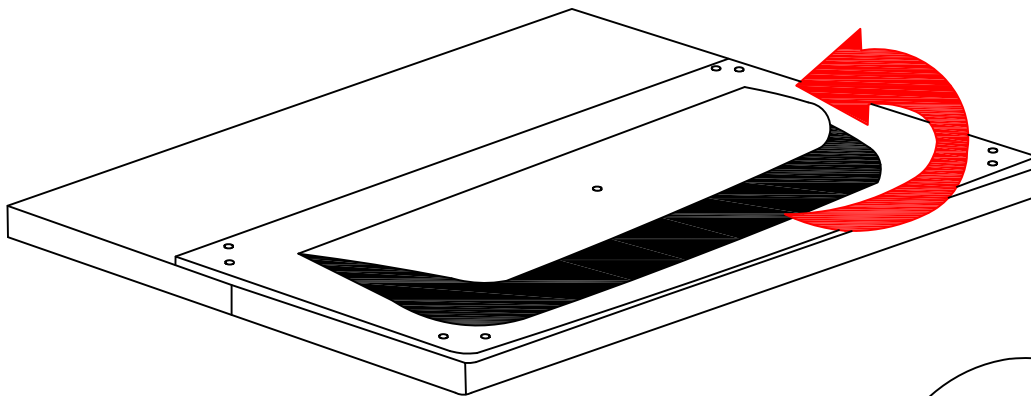
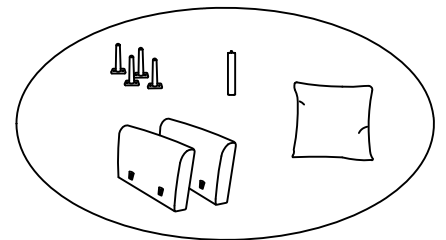
Middleleg 1pc

Cushion 2pcs

Screw 8pcs

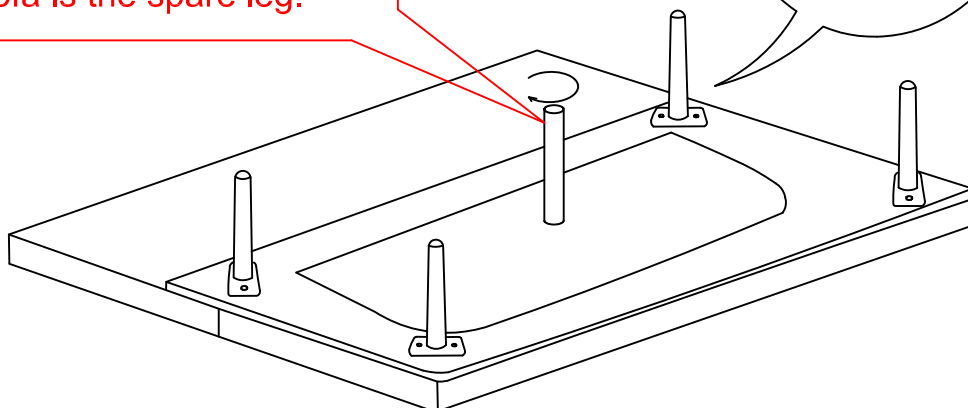
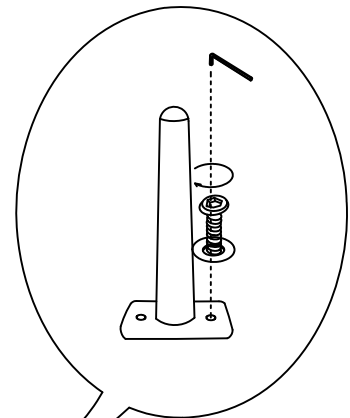
Washer 8pcs

Wrench 1PC

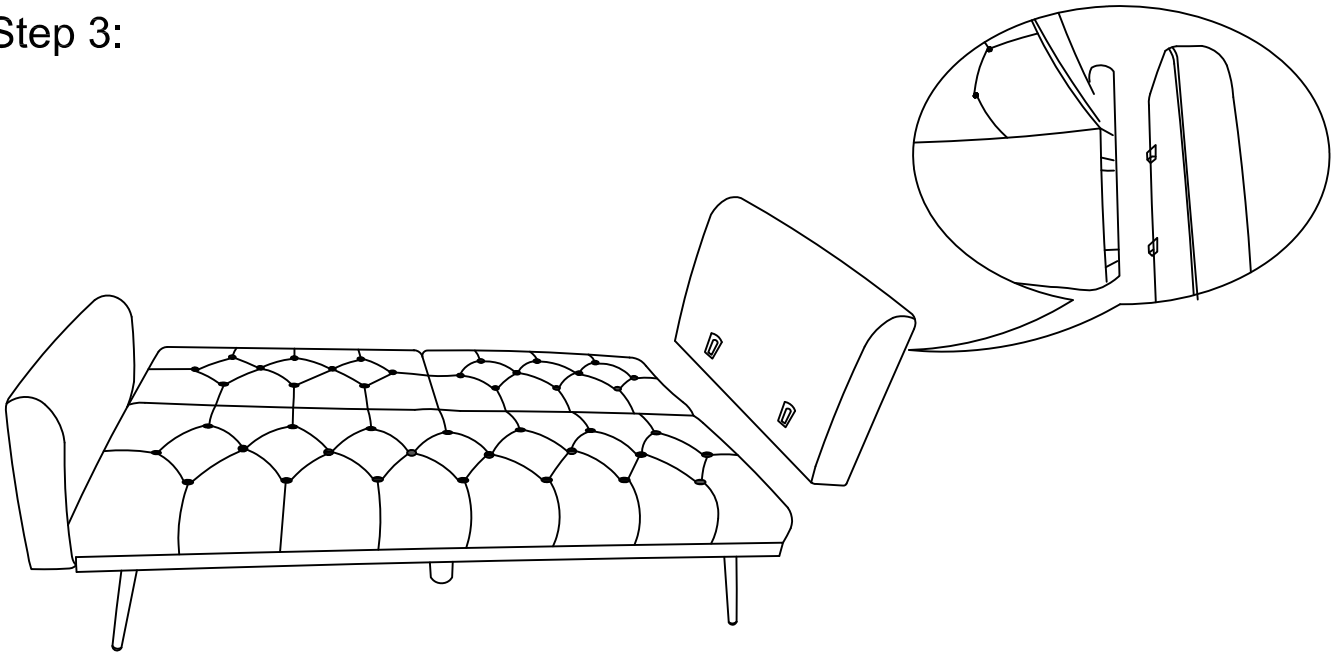


Step 2:

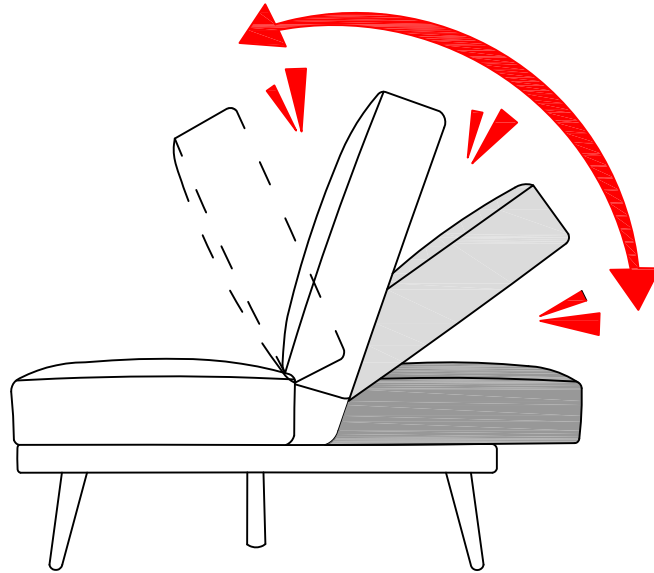
Attention:
The middle leg at the bottom
of the sofa is the spare leg!



Step 3:



Step 4:



Step 5:

