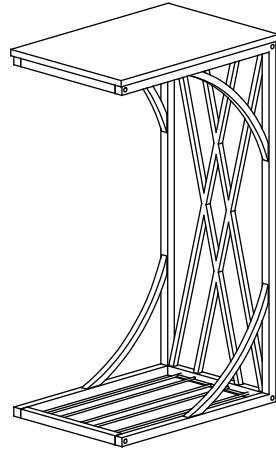
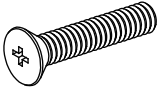

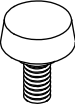
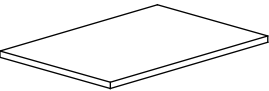
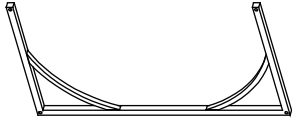
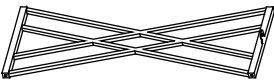
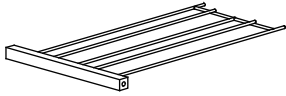
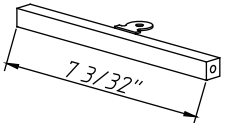


Assembly Instructions



When unpacking, please be careful not to discard any parts with the packaging. Be sure to check all packing material carefully for small parts which may have come loose inside the carton during shipment. Please separate, identify, and count all parts and metal hardware. Compare with part list to be sure all parts are present. If hardware is missing or you have difficulty in assembling this product, please contact us at your earliest convenience.

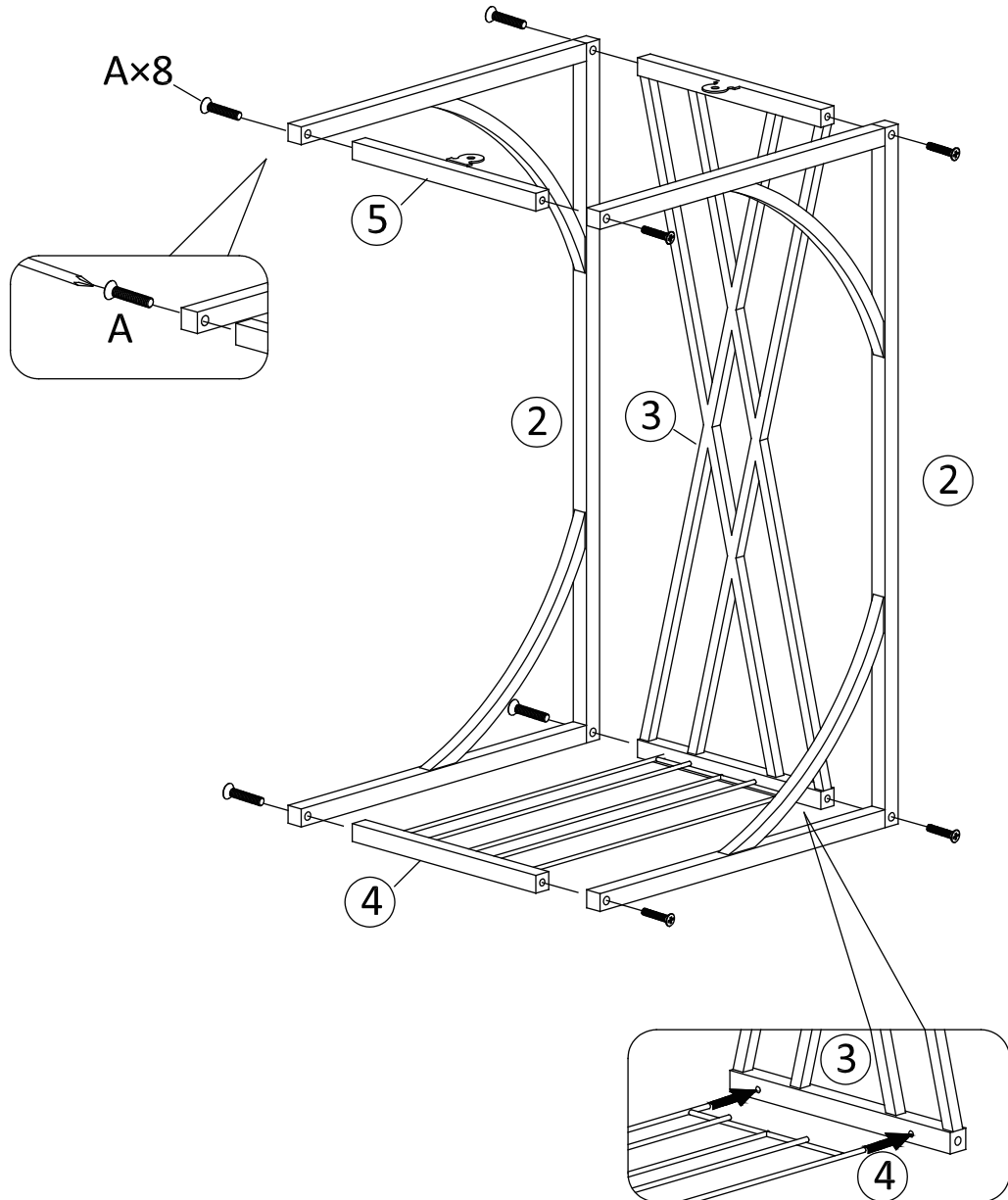
Overview

A	B	C			
<p>Ø3/16"×1 3/16" Screw</p>  <p>8PCS</p>	<p>Ø5/32"×5/16" Screw</p>  <p>2PCS</p>	<p>Foot pads</p>  <p>4PCS</p>			
<p>1</p> <p>Table top</p>	<p>2</p> <p>Leg</p>	<p>3</p> <p>Back part</p>	<p>4</p> <p>Bottom part</p>	<p>5</p> <p>Connect tube</p>	
 <p>1PC</p>	 <p>2PCS</p>	 <p>1PC</p>	 <p>1PC</p>	 <p>1PC</p>	

Installation Steps

Caution: If the table wobbles, loosen the parts and try to assemble again. Our table can only be used on a flat, level surface. For better use, we may advise you to tighten all the screws every few months.

1



2

