

No.	Description	Part No.
1	Diverter Assembly	9Q1164CP/AP
2	Screw M5	5T0F0043NT
3	Valve Body Assembly(Hot)	5D0M0030CC
4	Cartridge(Hot)	51014109NT
5	Washer	9Q1162PL
6	Spout Mounting Hardware	9Q1163NT
7	O-Ring	611011212
8	Aerator & Aerator Wrench	9Q1560PL
9	Shower Assembly	5F0M0209CP/AP
10	Valve Body Assembly(Cold)	5D0M0029CC
11	Supply Hose	51014132CC
12	Washer	9Q1161PL
13	Cartridge(Cold)	51014116NT
14	Aerator Housing	53003808CP/AP

Limited Lifetime Warranty

Ultra Faucets warrants to the original purchaser that its products will be free from defects in workmanship and materials. All Ultra Faucets are provided with a life time limited warranty. This warranty does not cover any other labor or service charges associated with the removal, repair, or reinstallation of Ultra Faucets products. This express warranty does not apply to products that have been damaged as a result of misuse, abuse, negligence, accident, faulty installation or maintenance practices and/or used in any manner contrary to those recommended by the manufacturer.

Need help? Please call our toll-free customer service line at 1-888-658-5872 for additional assistance or service.
Besoin d'aide? Veuillez communiquer avec notre service à la clientèle au numéro gratuit 1-888-658-5872 pour tous renseignements ou services complémentaires.
¿Requiere asistencia? Llame a nuestro Servicio al Cliente, sin costo, al 1-888-658-5872 para asistencia adicional o servicio.

Twist Collection

Two-Handle Roman Tub Faucet
With Hand-Shower



Installation/Installation/Instalación

CUSTOMER SERVICE

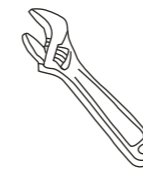
TOLL-FREE 1-888-OK-ULTRA (658-5872)

UF65340 - Polished Chrome

UF65343 - PVD Brushed Nickel



Tools You Will Need / Outils dont vous aurez besoin / Herramientas necesarias



Adjustable Wrench

Clé à molette

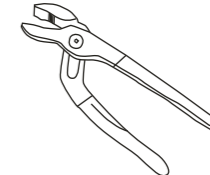
Llave ajustable



Pipe Tape

Ruban pour tuyau

Cinta selladora para rosca



Groove join pliers

Pince multiprise

Pinzas ajustables

SAFETY TIPS

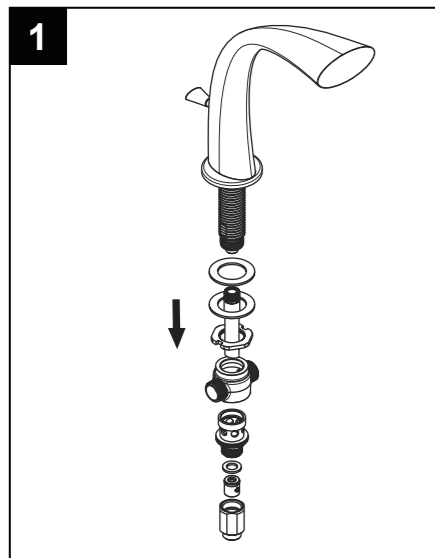
- If you use soldering for the installation of the faucet, the seats, cartridges and washers will have to be removed before using flame. Otherwise, warranty will be void on those parts.
- Cover your drain to avoid losing parts.
- 0°C~55°C.

CONSIGNES DE SÉCURITÉ

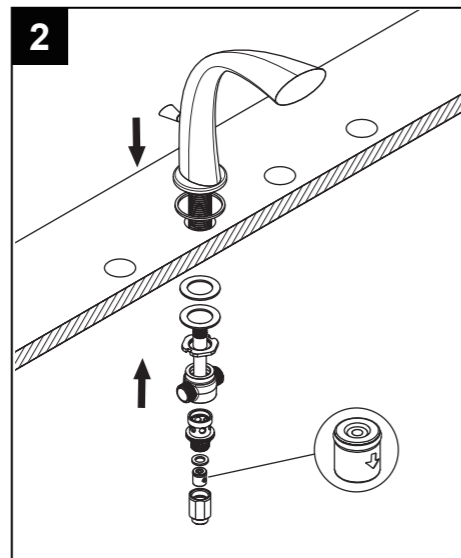
- Si vous posez le robinet par brasage, il est essentiel de retirer les sièges, les cartouches et les rondelles avant d'appliquer la flamme, faute de quoi la garantie sur ces pièces sera annulée.
- Couvrez le drain pour ne pas perdre des pièces.
- 0°C~55°C.

CONSEJOS DE SEGURIDAD

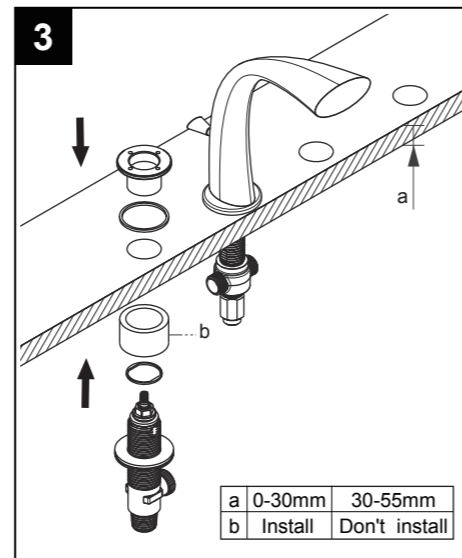
- En el caso de utilizar soldadura para instalar el grifo, remueva los asientos, cartuchos y arandelas antes de usar la llama. De lo contrario, se anulará la garantía para esos componentes.
- Tape la boca del desagüe para prevenir la pérdida de piezas pequeñas.
- 0°C~55°C.



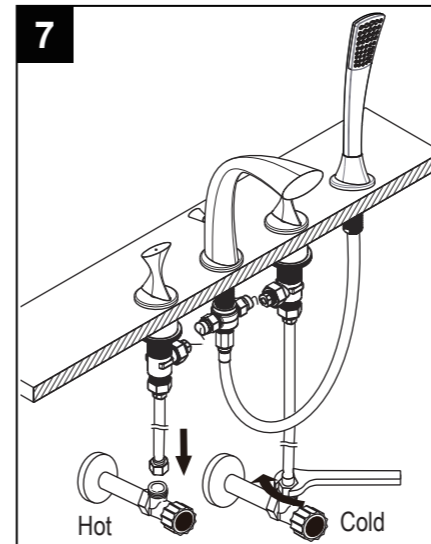
Remove the faucet body accessories.



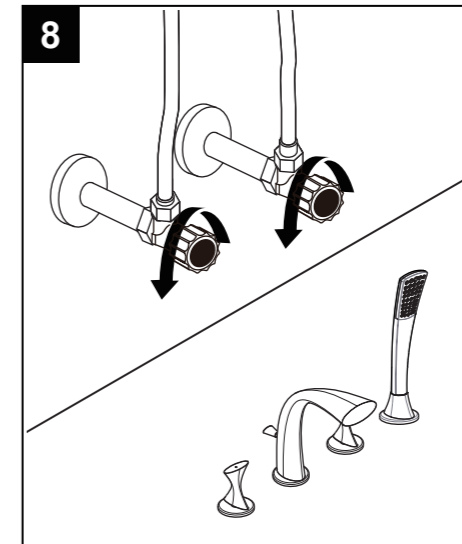
Lower the faucet body into mounting hole, tighten washer and mounting nut. And install the water supply connector.



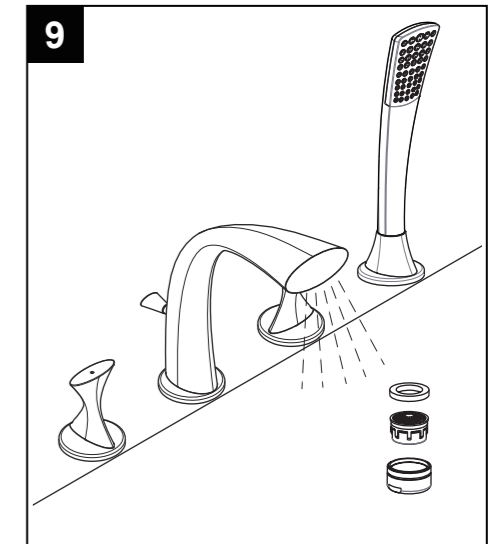
Install the valve, tighten the valve nut to secure.



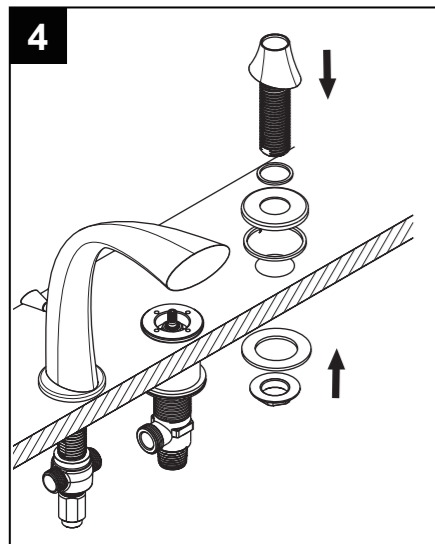
Connect the water supply lines to the hot and cold angle valve.



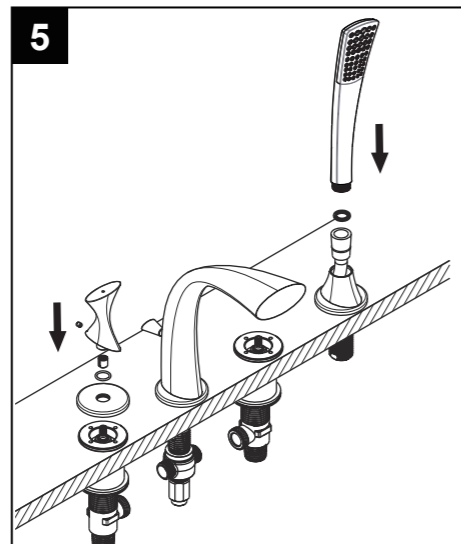
Turn on the water.



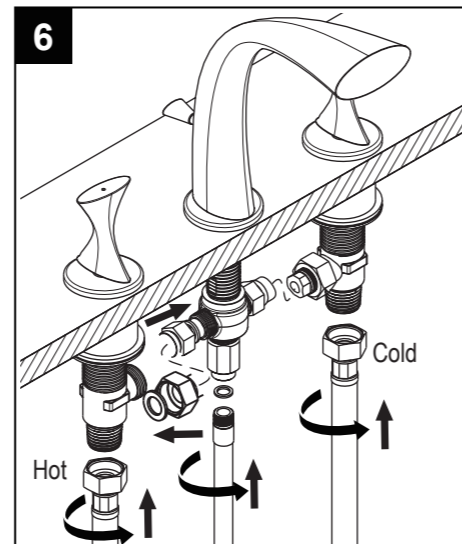
Remove aerator assembly and flush out debris. Reinstall aerator assembly.



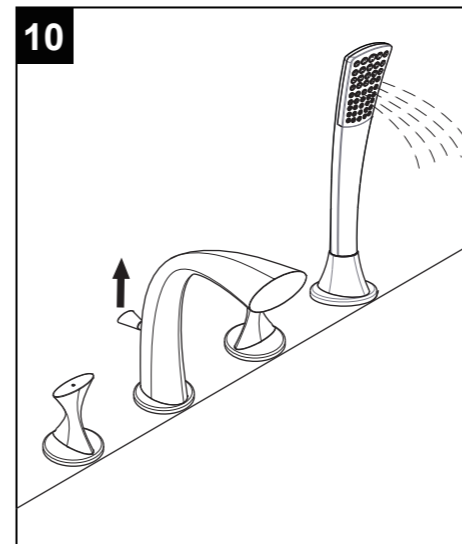
Lower the shower base, tighten the mounting nut to secure.



Secure the handle assembly with the setscrew. Install the hand shower.



Install the water inlet hose to the handle. And connect the hose to handle and faucet body.



Leaving the water on, pull the hose to its farthest extension and point it into the tub. Pull the diverter knob to its top position. Flush the debris for one minute. Turn off the valves.