
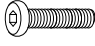
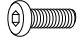





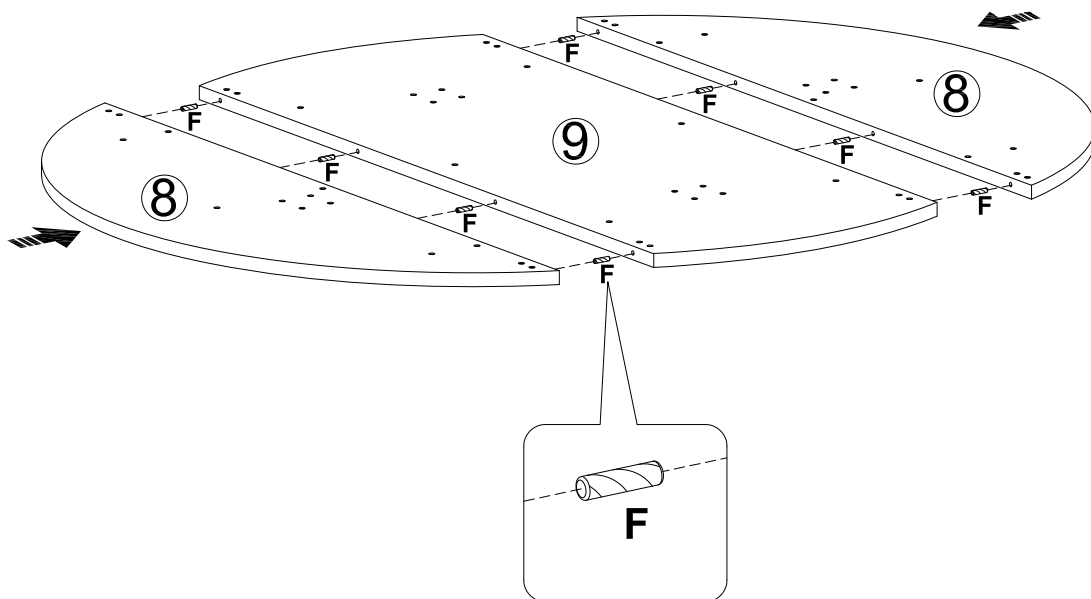
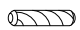


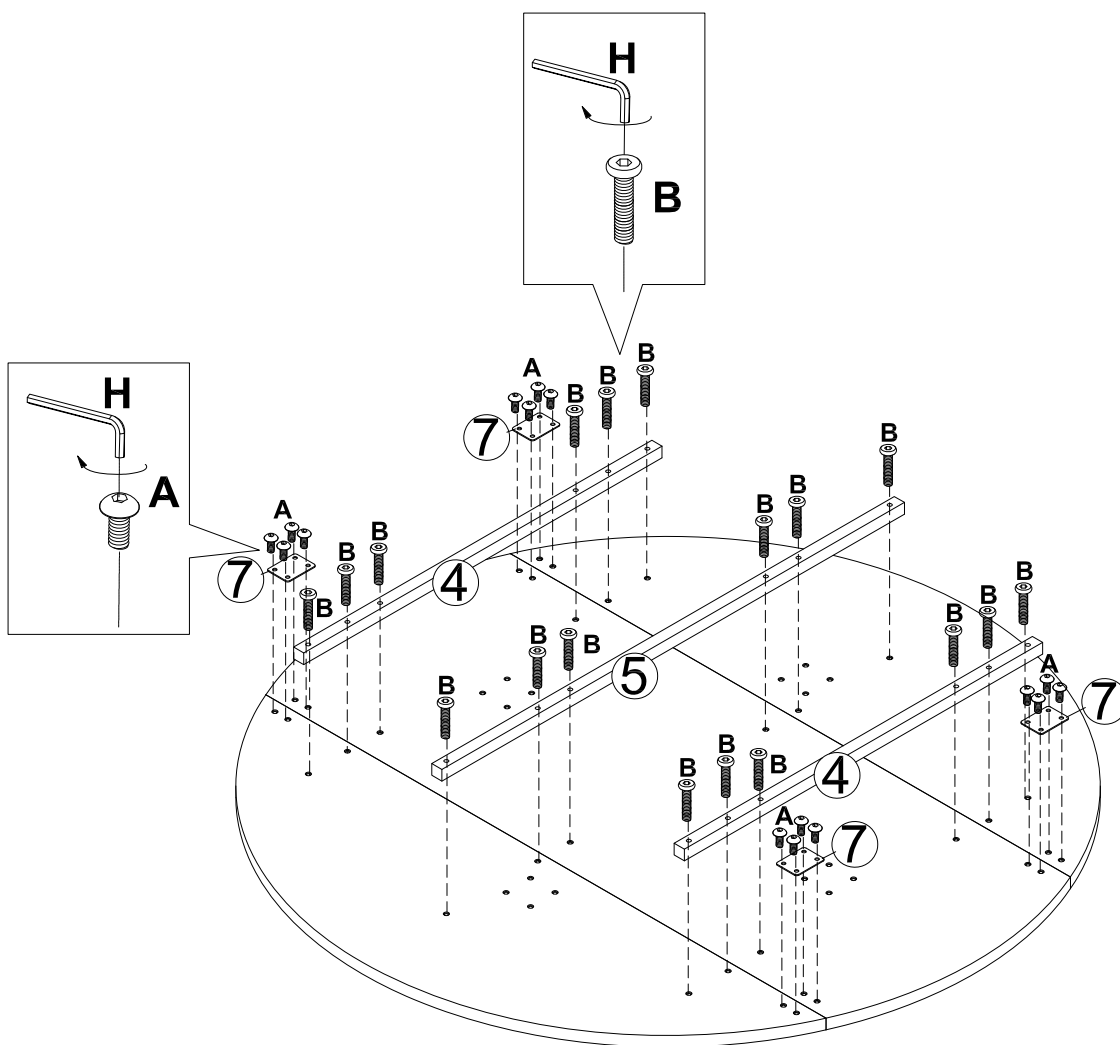
A	x 40	B	x 18	C	x 8	D	x 4
							
M6x15mm		M6x40mm		M6x20mm		M6x55mm	
E	x 4	F	x 8	G	x 4	H	x 2
							
Φ18x1.5mm		Φ8x30mm		Φ30mm		M4	


1





F	x 8
	
Φ8x30mm	

2

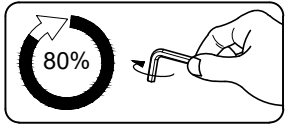
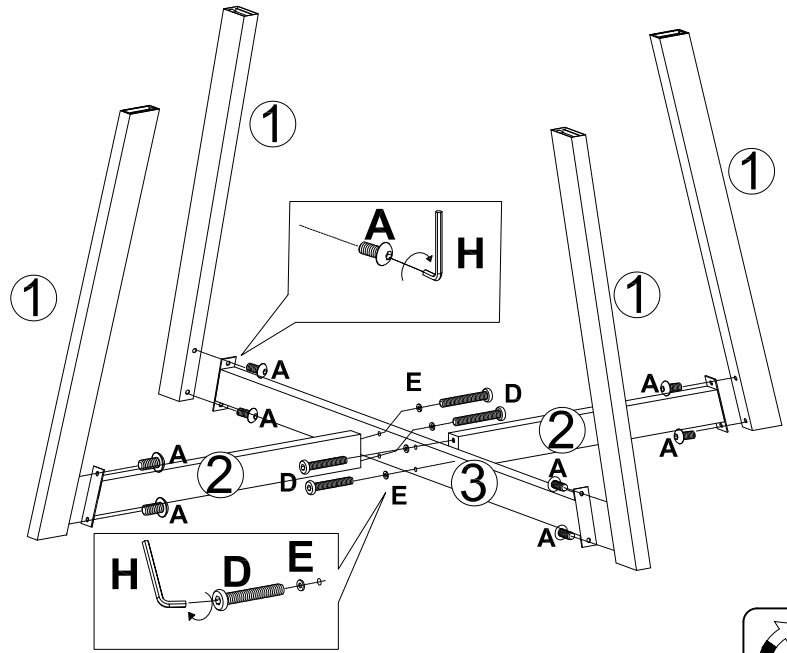


A	x 16
	
M6x15mm	

B	x 18
	
M6x40mm	

H	x 1
	
M4	

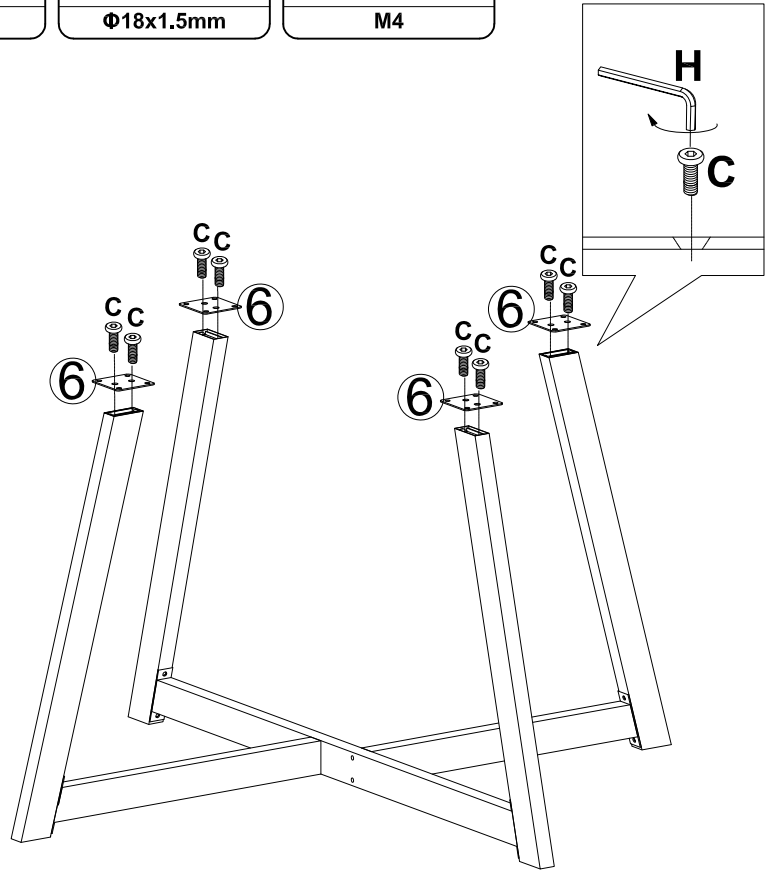
3



The screws should be tightened to about 80%, not fully tightened.

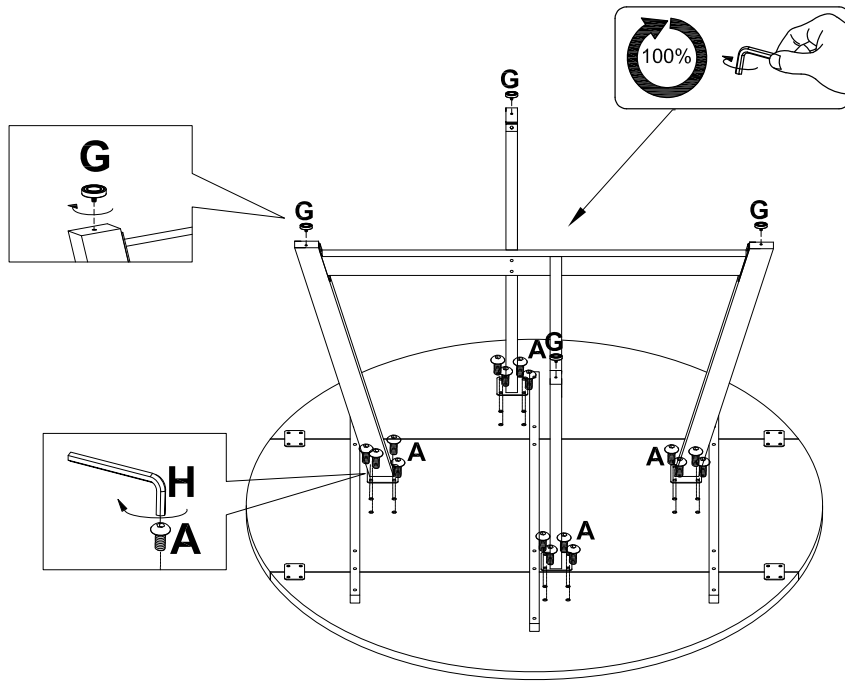
A	x 8	D	x 4	E	x 4	H	x 1
M6x15mm		M6x55mm		Φ18x1.5mm		M4	




4



C	x 8	H	x 1
M6x20mm		M4	

5



A	x 16	G	x 4	H	x 1
					
M6x15mm		Φ30mm		M4	

6

