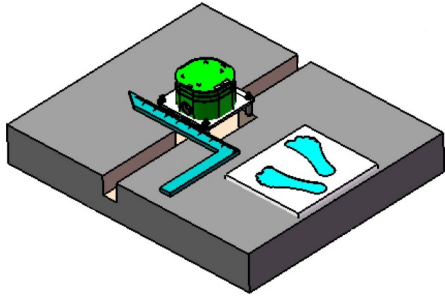


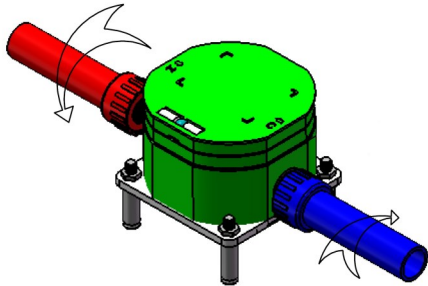
# PULSAR Freestanding Outdoor Shower Installation Instructions

1



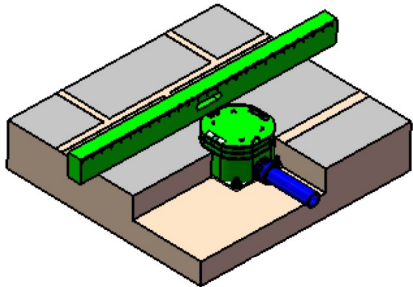
Place the built-in part in the desired position. Mark and drill the (4) holes.

2



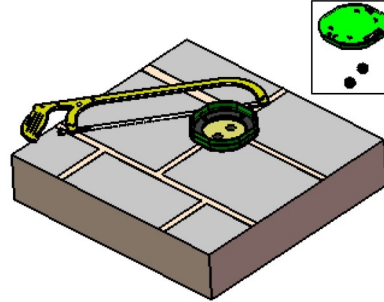
Connect the hot and cold supply pipes to the built-in part and test for any leaks.

3



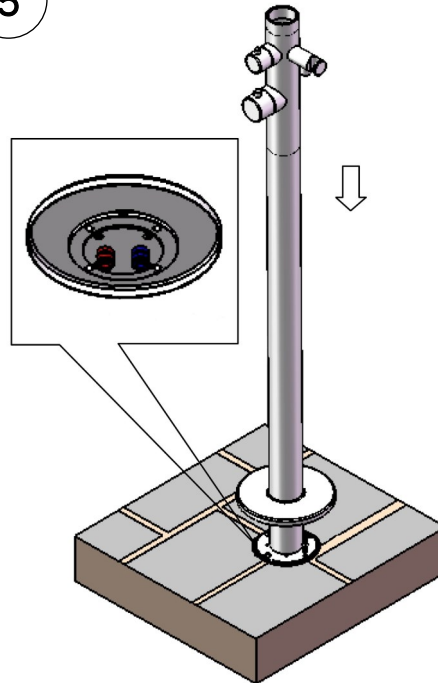
Make sure the built-in part is level and aligned. Secure by tightening the (4) expansion bolts.

4



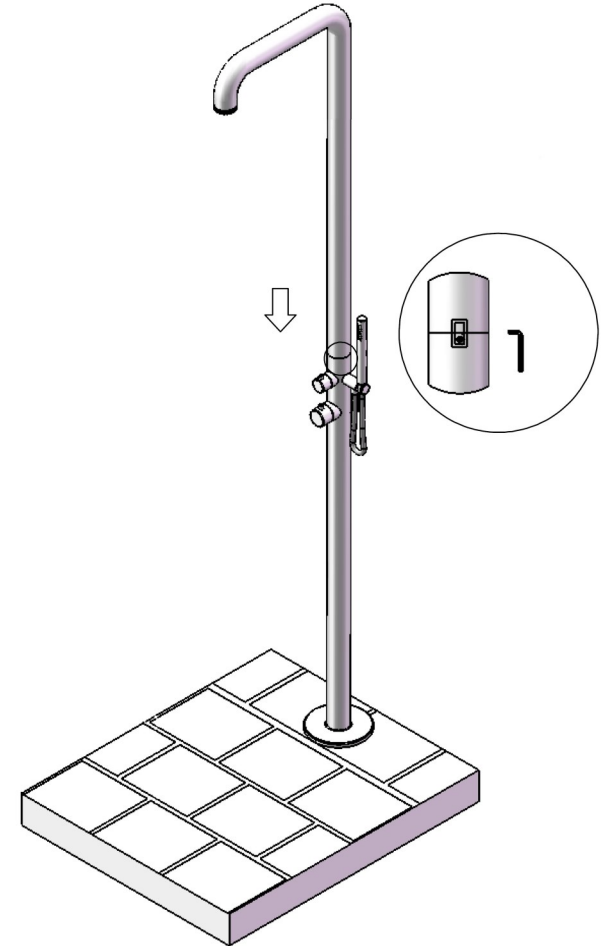
Remove the cover and outlet plugs. Cut off the excess portion of the built-in part.

5



Place the lower half of the shower onto the built-in part and secure into place with (4) screws.

6



Insert the upper half of the shower into the lower half. Align and secure the screw on the back side of the shower.