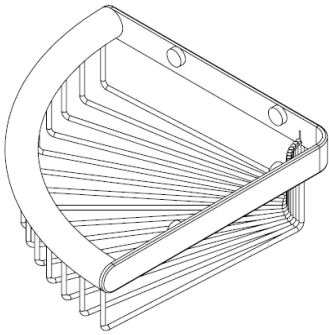


Corner Shower Basket Installation Guide



A



B

Parts Included	QTY
A - Shower Basket	1
B - Screw	2

Description	Finish	Weight (lb)	WxHxD (mm)	WxHxD (Inches)	Metal Type
Corner Shower Basket	Chrome	1.5	202 x 55 x 202	8 x 2.2 x 8	Brass
Corner Shower Basket	Matte Black	1.5	202 x 55 x 202	8 x 2.2 x 8	Brass

Warranty: 2 Years

Care & Maintenance: A periodic wash using warm water and a soft cloth will retain the high quality finish of your product for many years to come. ON NO ACCOUNT should any household bleaches, detergents, abrasive polishes, steel wool or other cleaning agents be used on this item.

