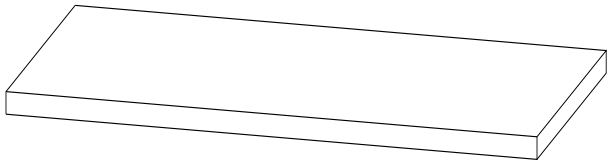
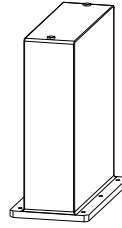


# Product Assembly Instructions



A : Top x1



B : Leg x2



C : Bolt M8\*50mm x12

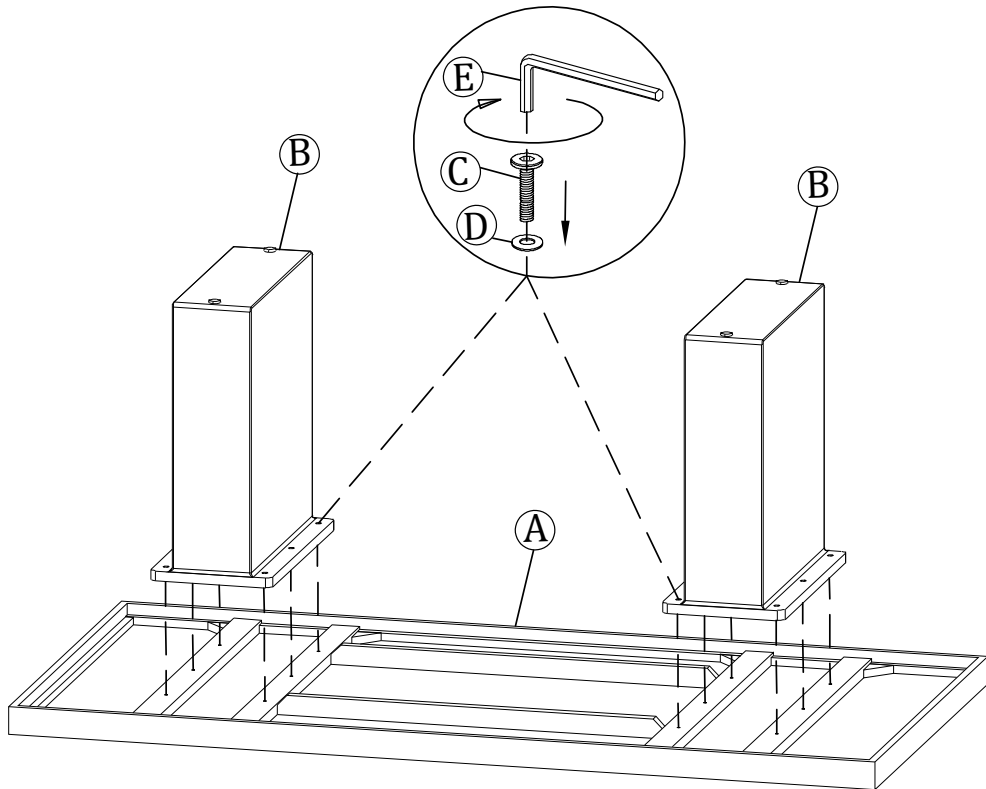


D : Washer x12



E : Allen key x1

## STEP 1



## STEP 2

