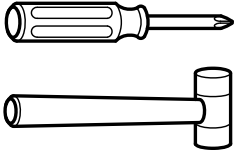
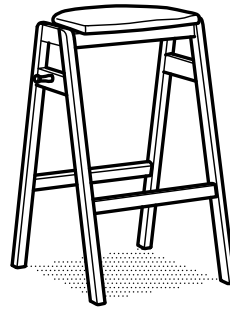


**ASSEMBLY
INSTRUCTIONS**

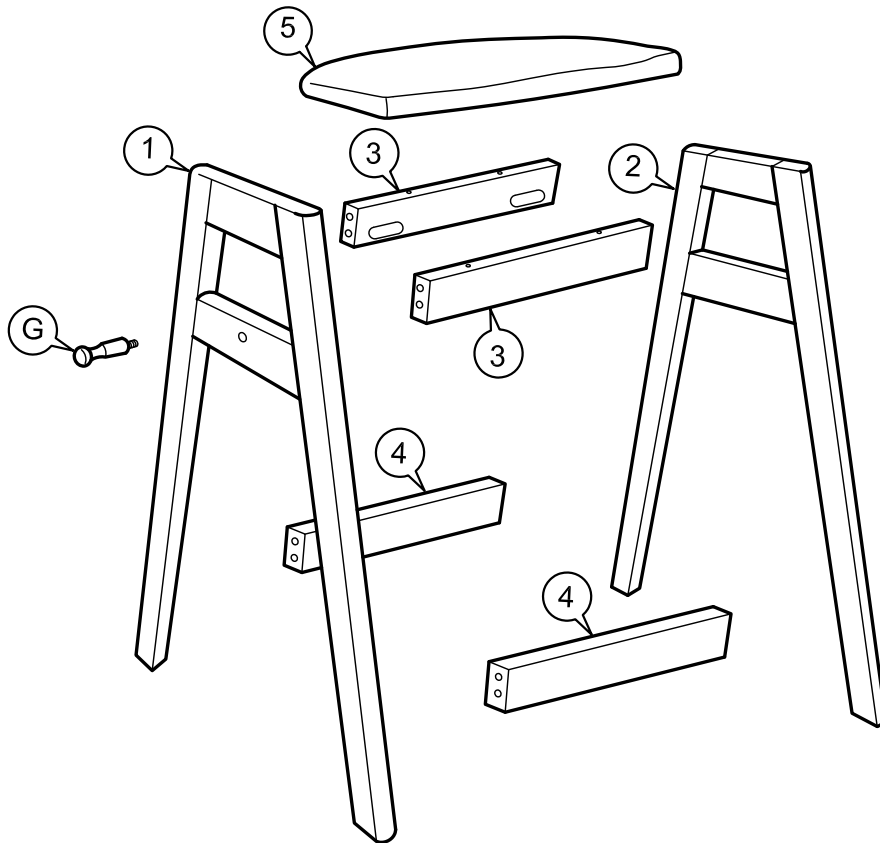
1+2 MORRIS PUB TABLE & SKYLER PUB STOOL



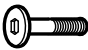






Not Provided



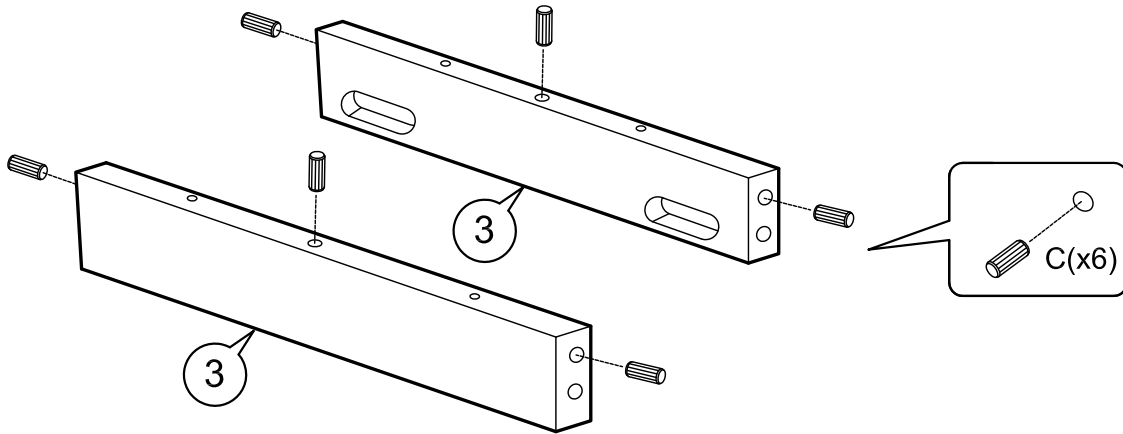
Part List :



Hardware List

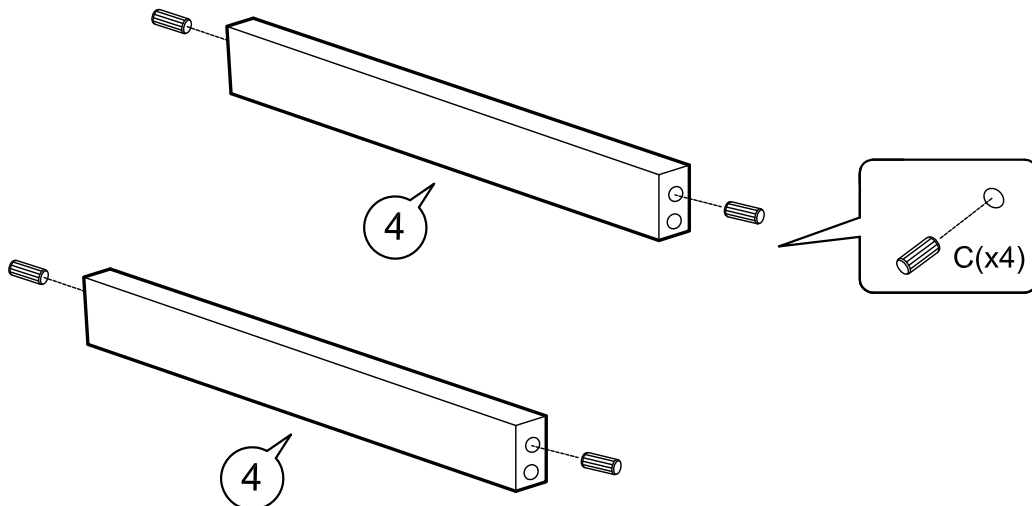
<p>A M6 x 50mm = 16</p> 	<p>C M8 x 30mm = 20</p> 	<p>E M4 x 32mm = 8</p> 	<p>G Wood Knob = 2 50 x 18 x 18</p> 
<p>B 5/16" = 16</p> 	<p>D = 8</p> 	<p>F M4 x 100mm = 1</p> 	

1



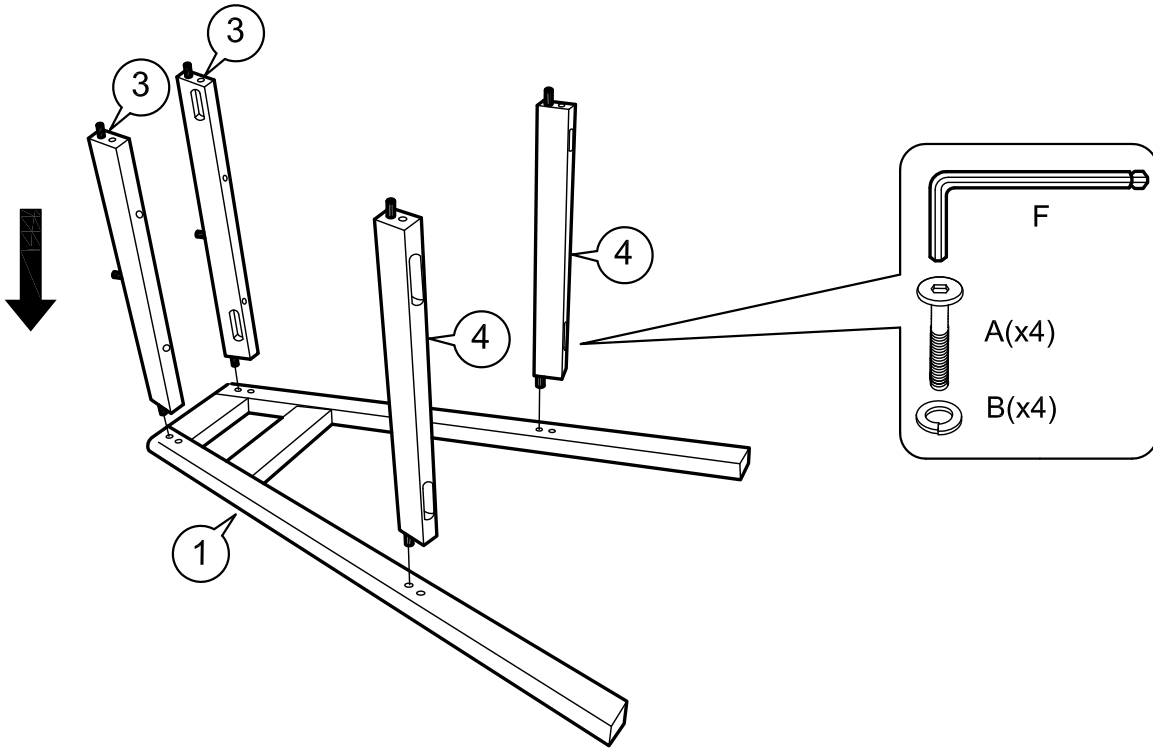
(x2)

2



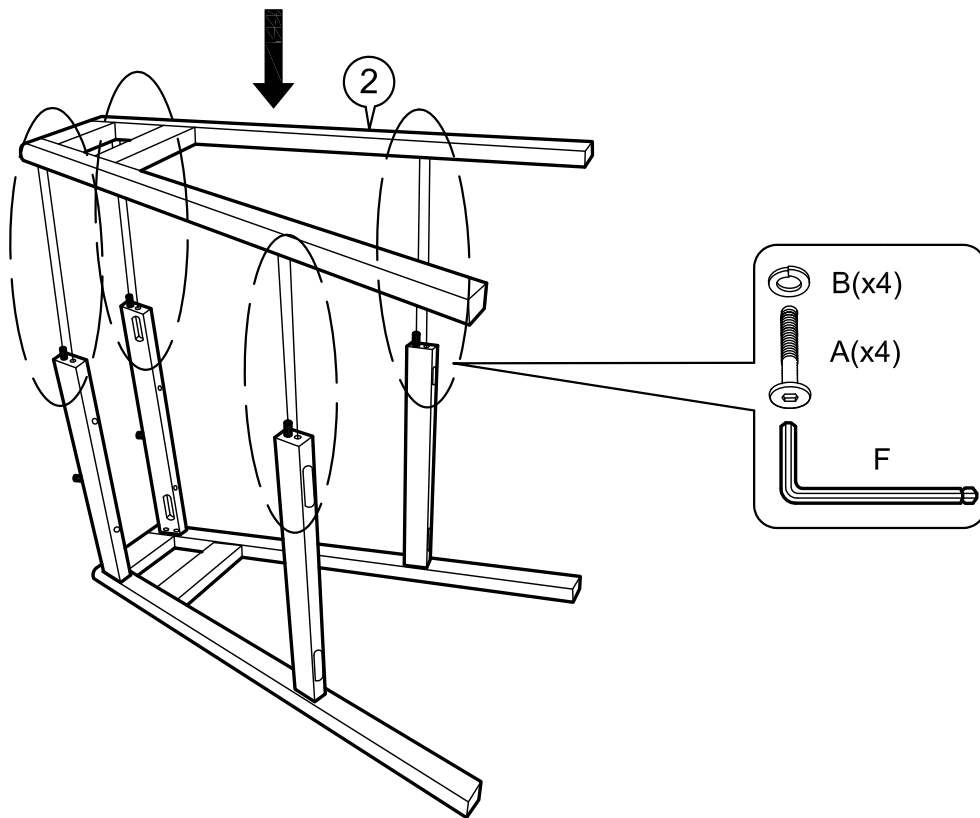
(x2)

3



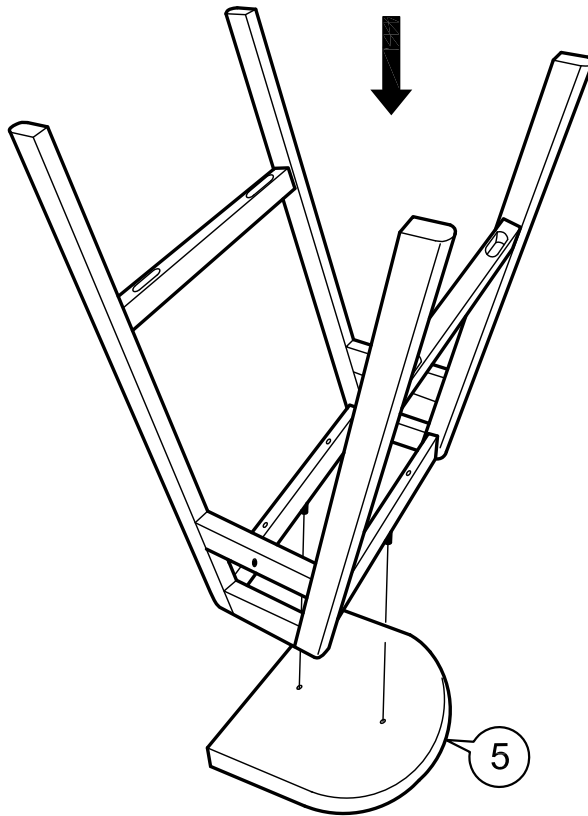
(x2)

4



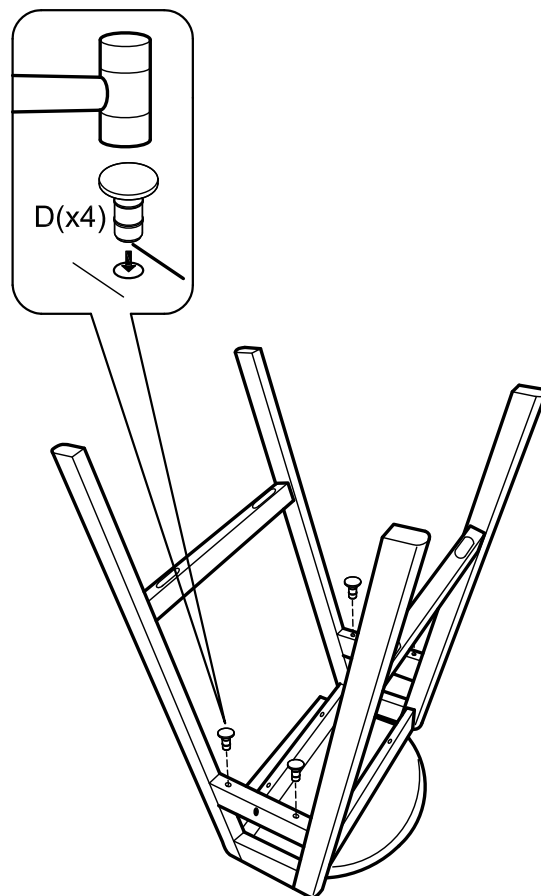
(x2)

5



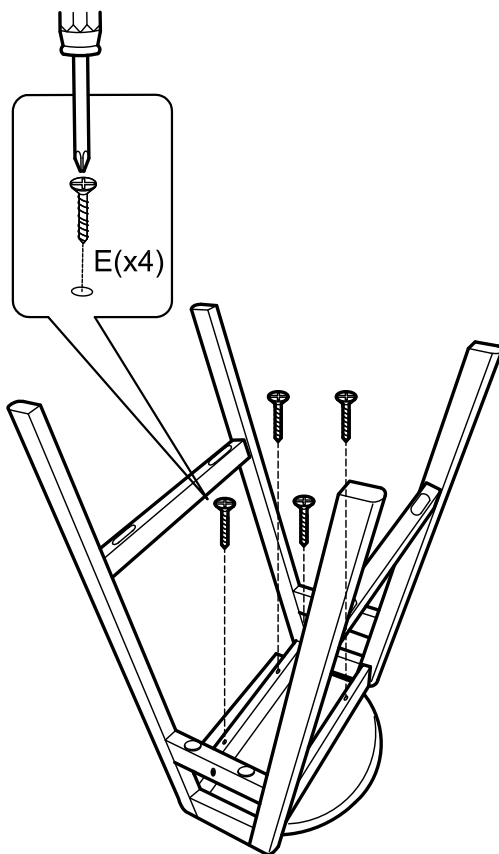
(x2)

6



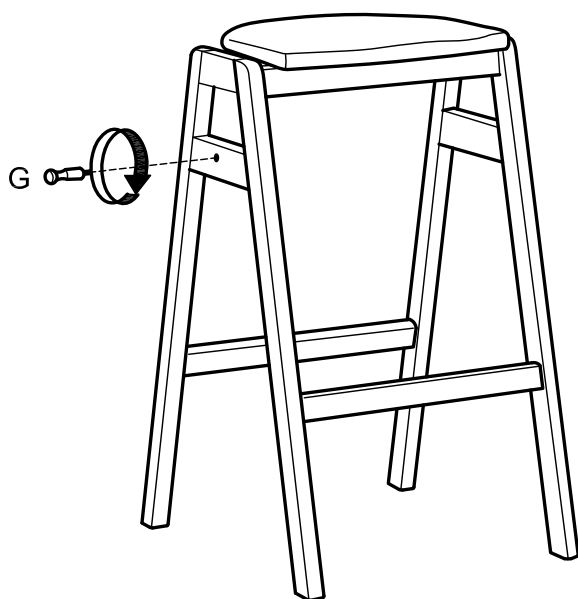
(x2)

7



(x2)

8



(x2)