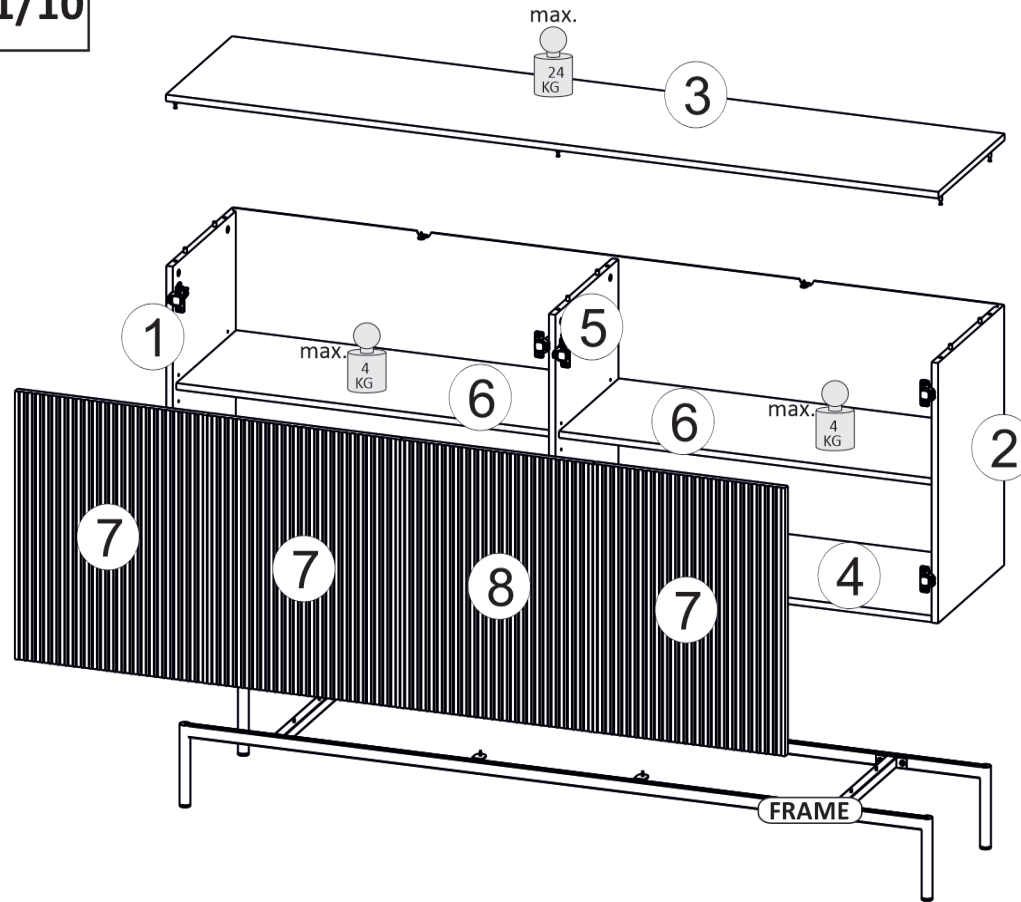
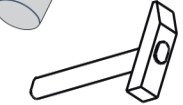
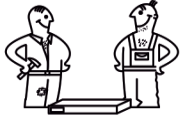


Model: *Nicole 190 4D* 1/10
 Modell: *Nicole 190 4D* 1/10

Do montażu potrzebne są:
 Für die Montage dieser Type benötigen Sie:
 Use the following for assembly:



PL INSTRUKCJA MONTAŻOWA
D MONTAGEANLEITUNG
GB ASSEMBLY INSTRUCTIONS

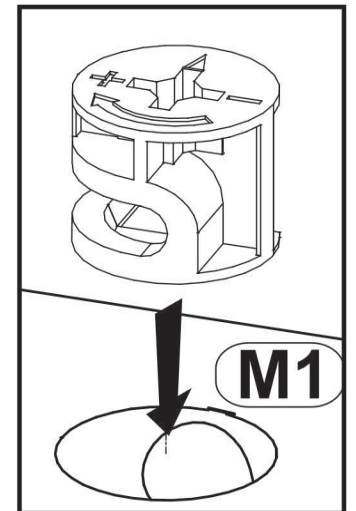
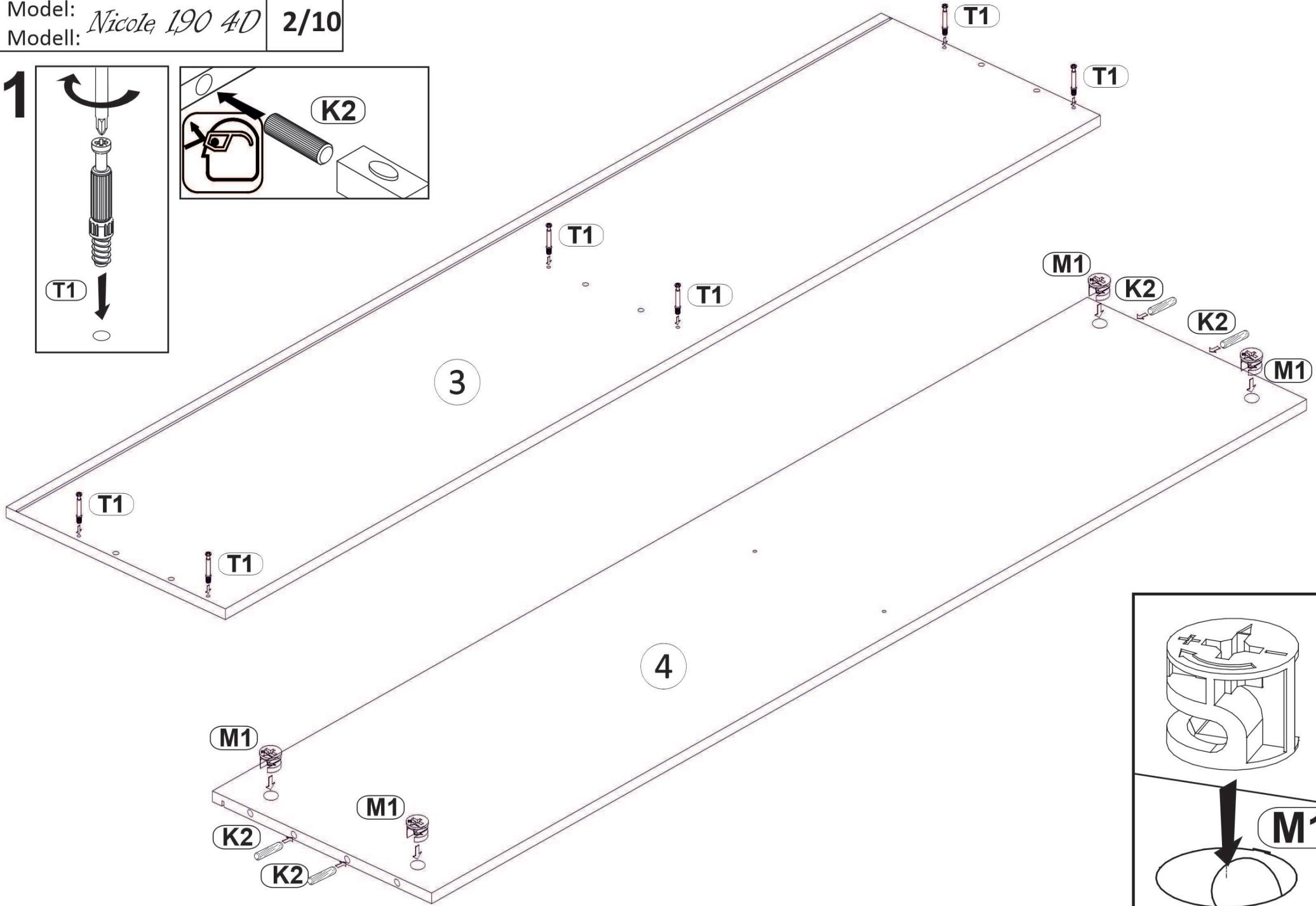
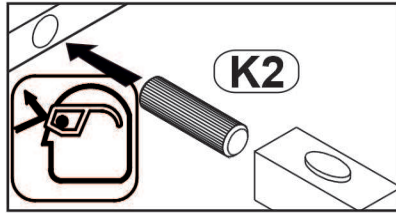
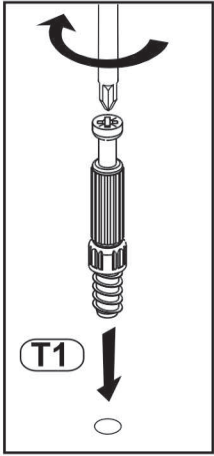
D Sehr geehrter Kunde, sollte ein Teil fehlen oder beschädigt sein, kreuzen Sie bitte dieses deutlich auf der Montageanleitung an und schicken Sie zu uns ab.
GB Dear customer, Should there be any place missing or damaged, kindly mark this place clearly on the attached assembly instructions and return it to us.
PL Szanowny Kliencie, gdyby brakowało jakiejś części lub byłaby uszkodzona proszę to oznaczyć krzyżykiem na instrukcji montażowej i przelać instrukcję razem z reklamacją.



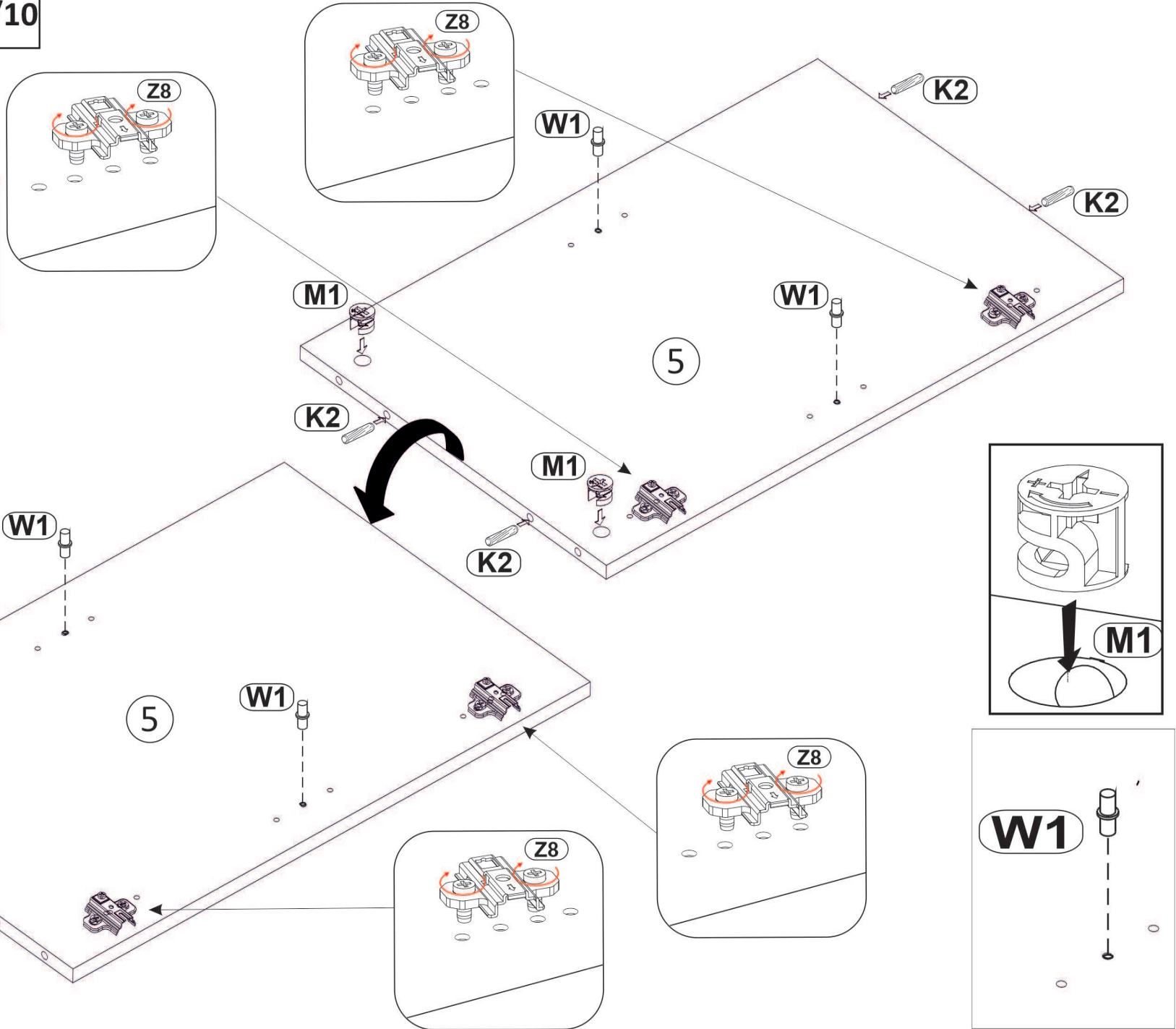
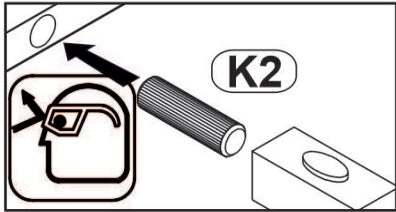
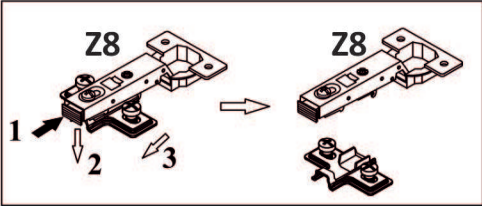
- | | | | | | | | | | | | | |
|----------|------------------|-------------------------|------------------|------------------------------|---------------------------|-------------------------|-------------------------|----------------------------|-----------------|----------|-----------------|-------------------------|
| 1 | K2
x12 | T1
x10 | M1
x10 | S10
US 3x18
x12 | P2
3,5x18
x4 | W1
x8 | Z1
x6 | K11
x2 | K7
x1 | 2 | Z7
x4 | S3
4x13
x8 |
| 3 | Z8
x4 | S3
4x13
x8 | 4 | B5
x2 | 5 | P3
4x16
x4 | S6
4x35
x4 | M20
M5x10
x16 | K
x4 | | | |

Model: *Nicole 190 4D* 2/10
Modell:

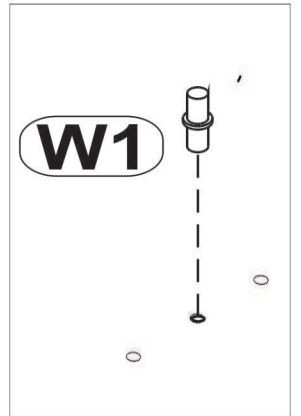
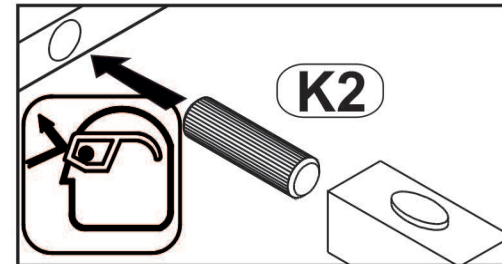
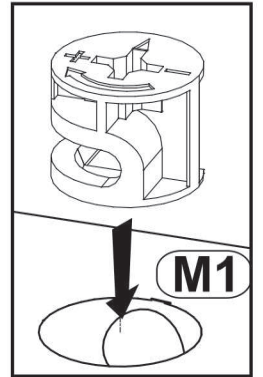
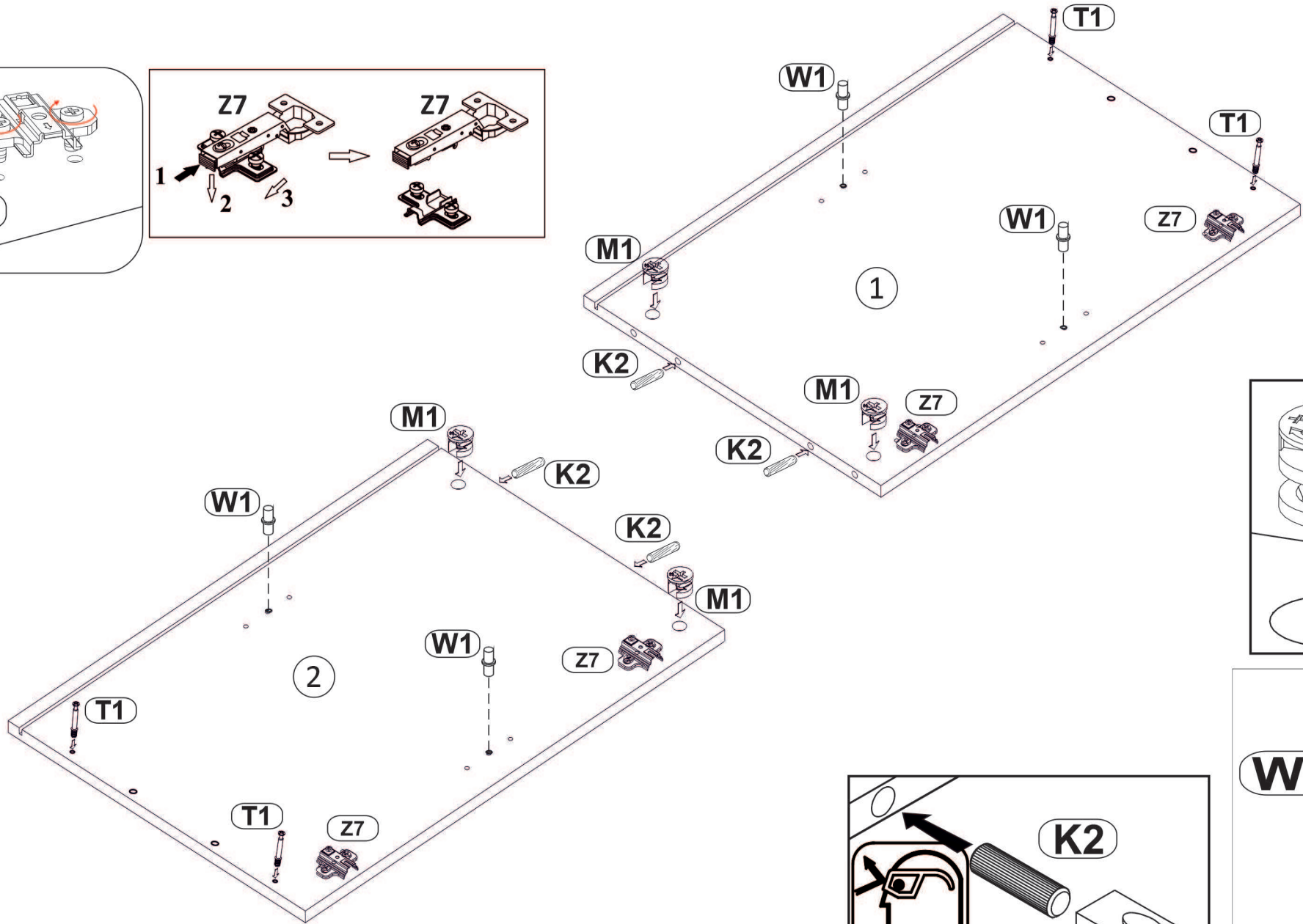
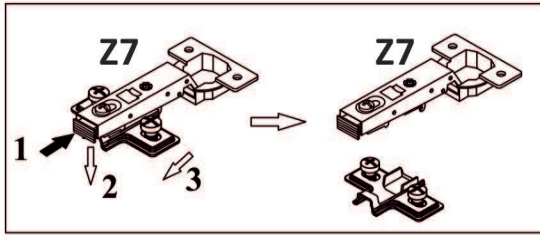
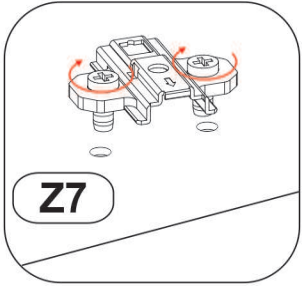
1



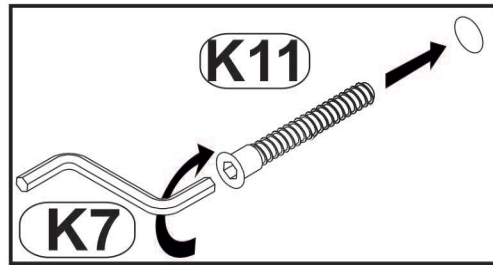
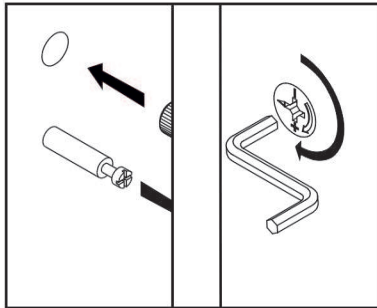
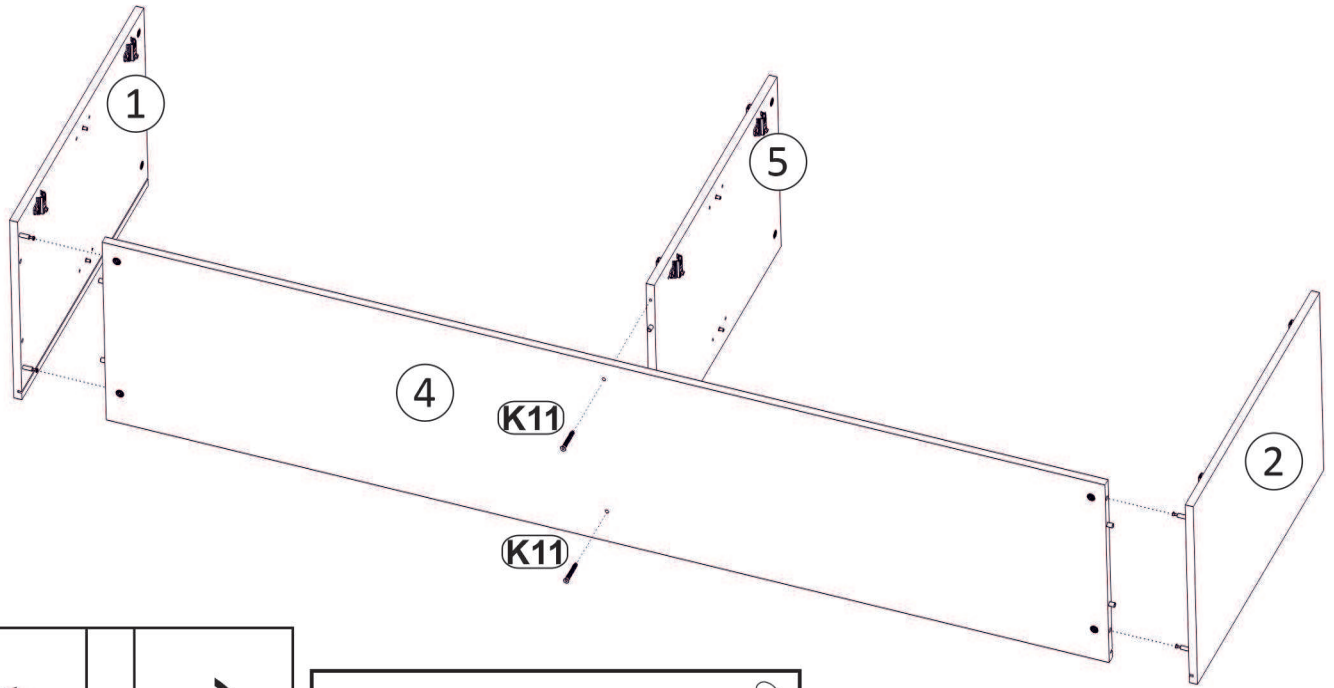
2



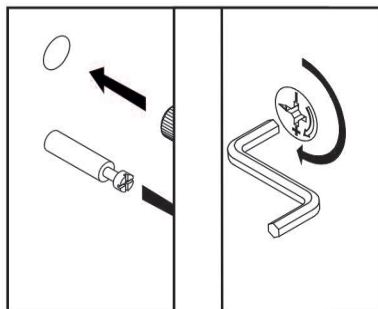
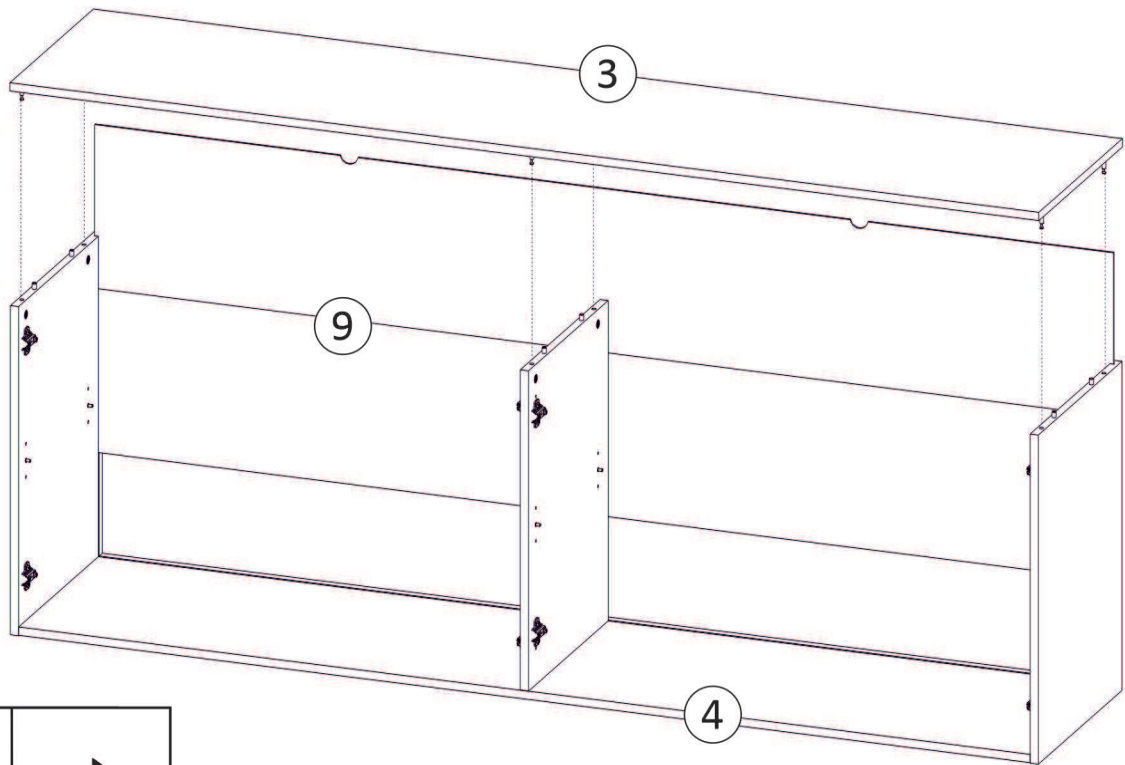
3



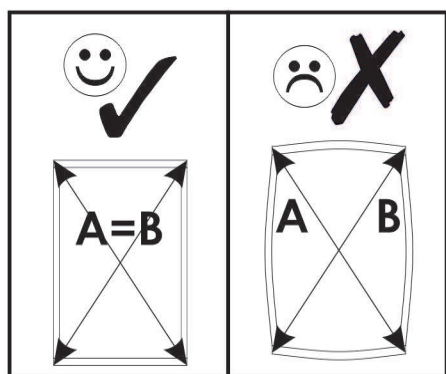
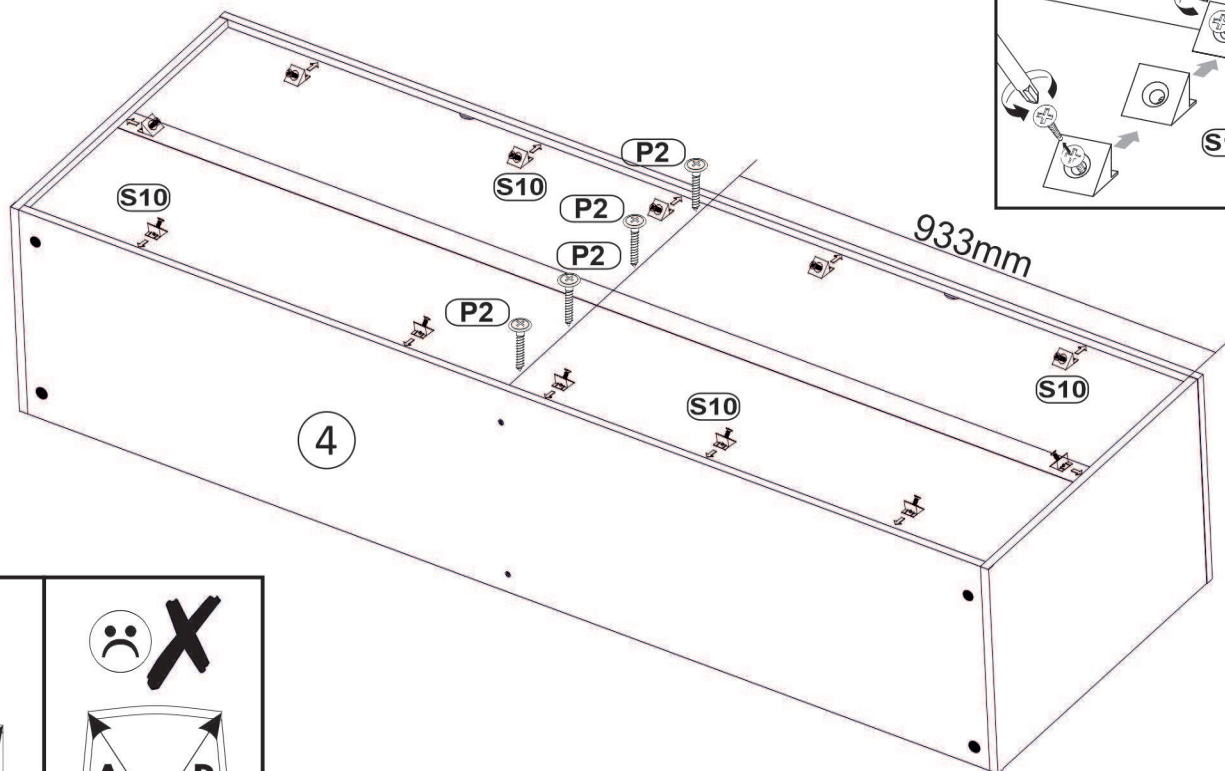
4



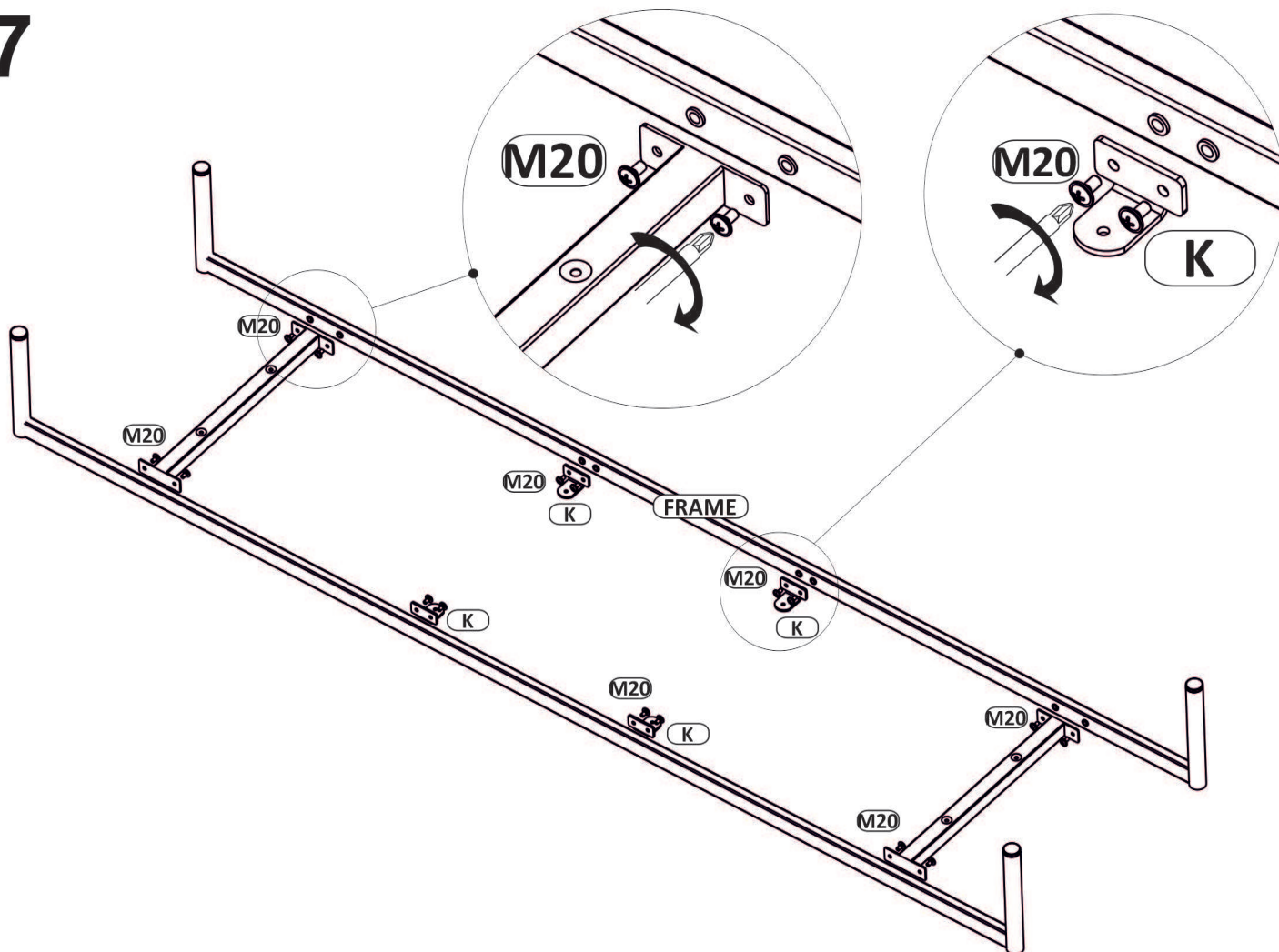
5



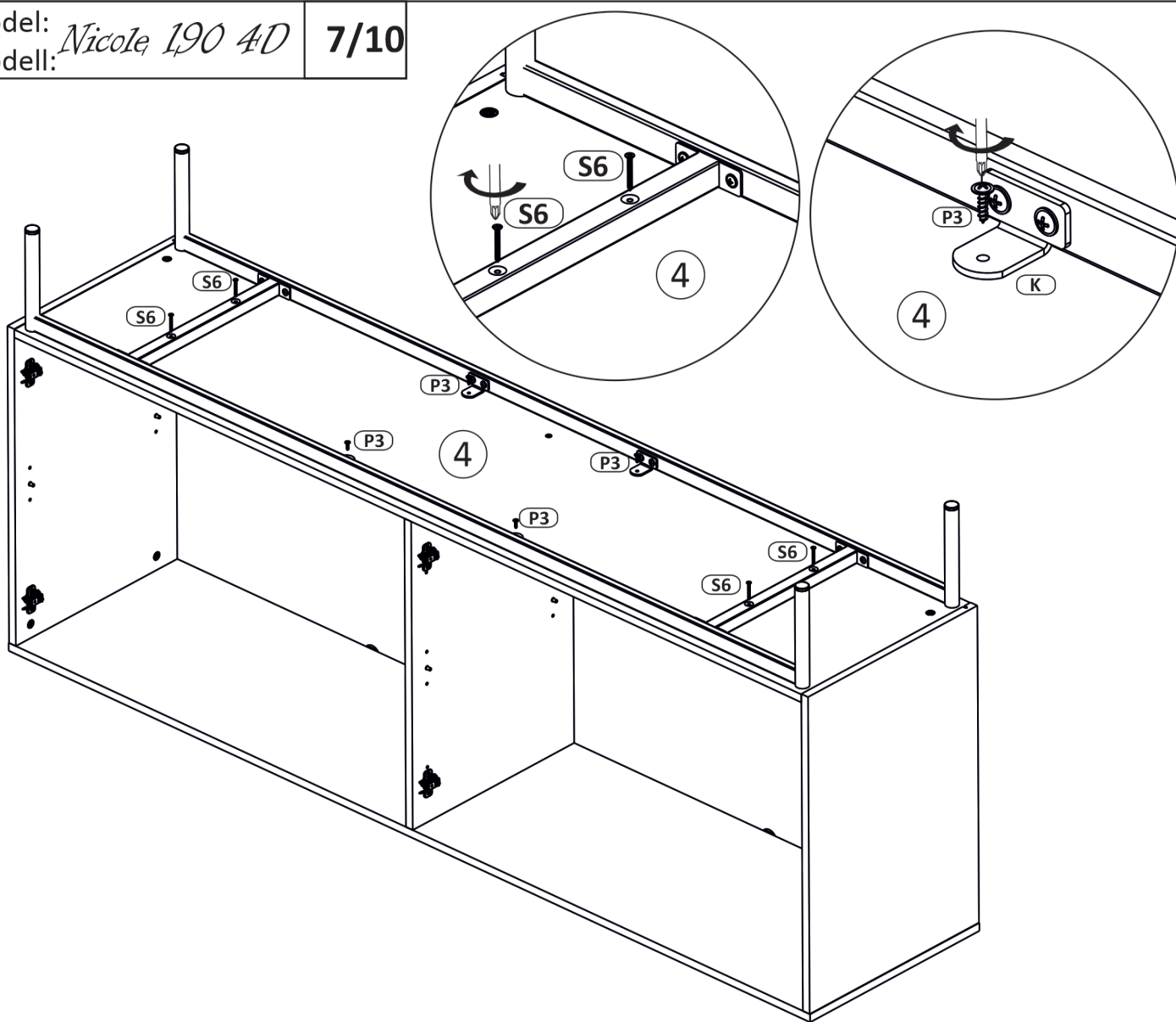
6



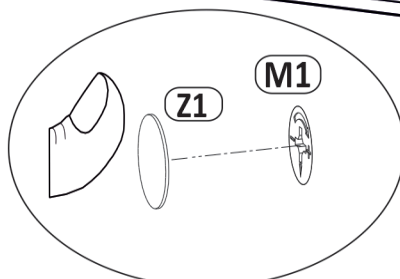
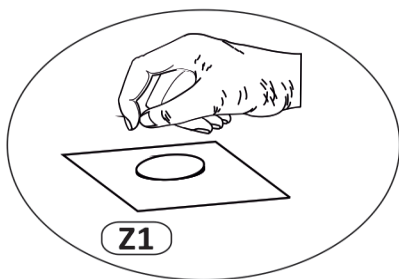
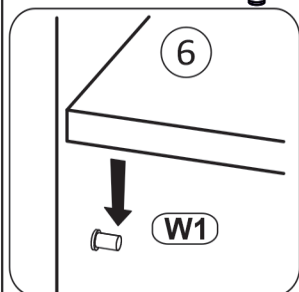
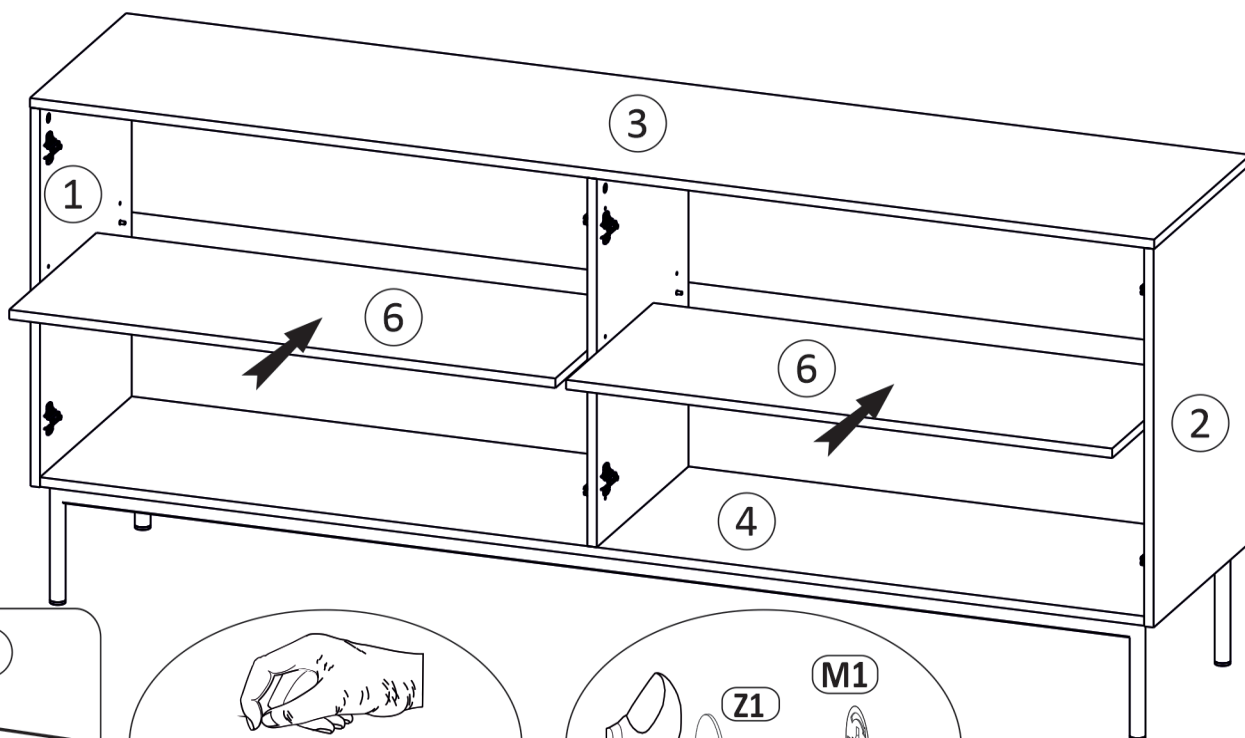
7



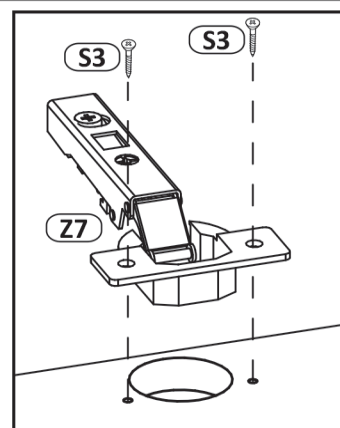
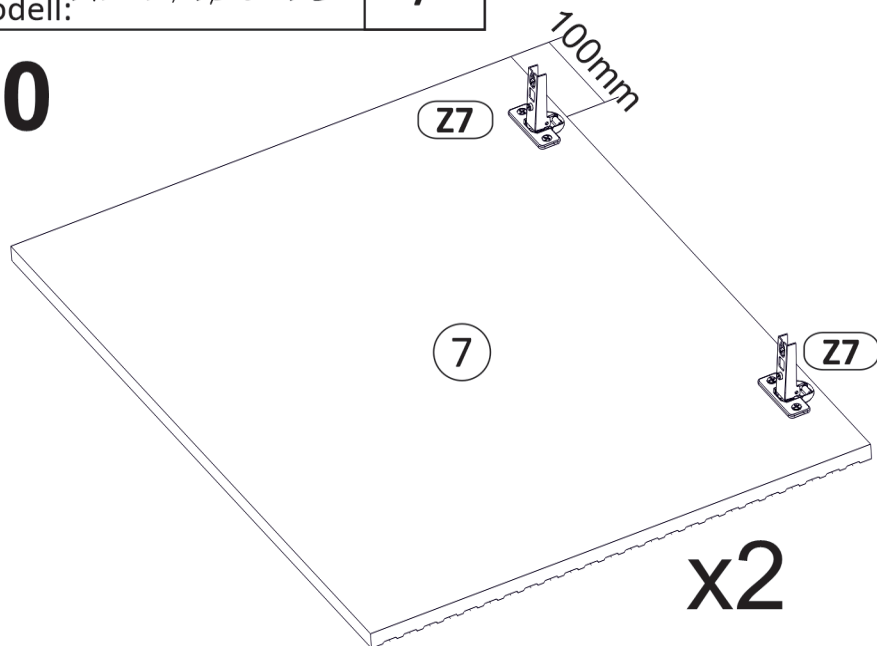
8



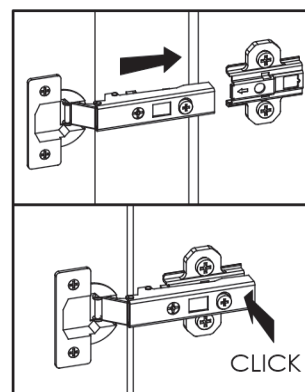
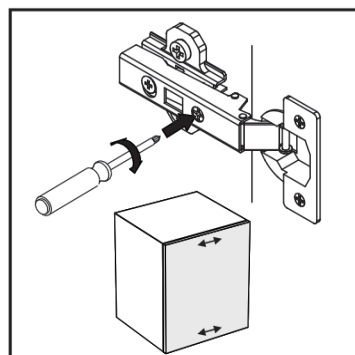
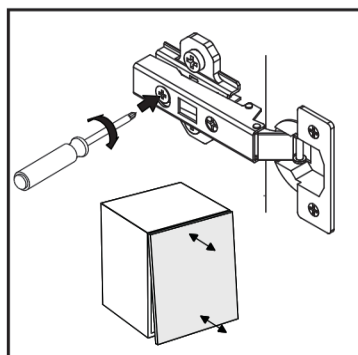
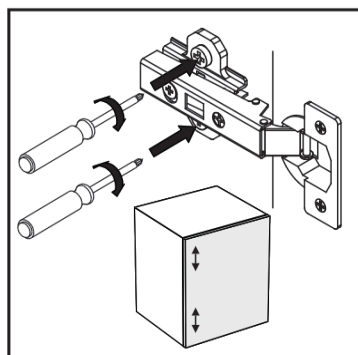
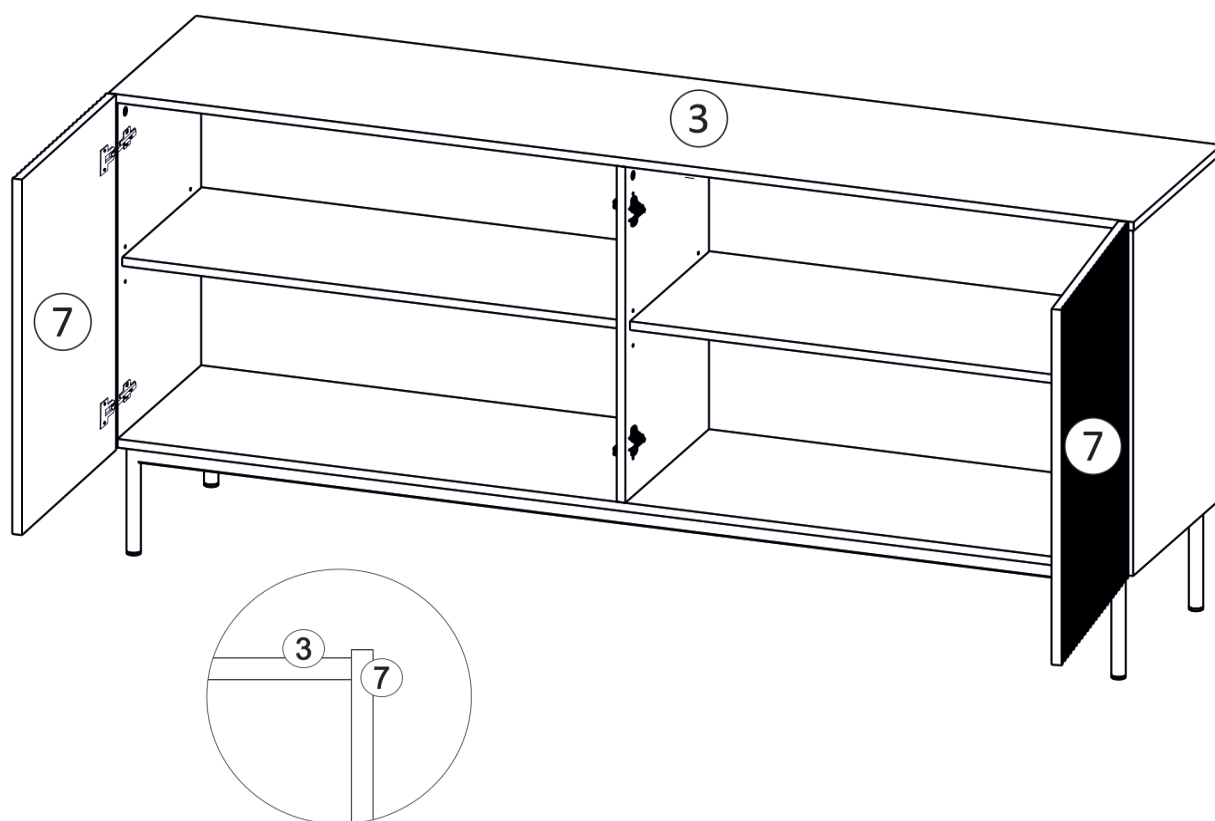
9



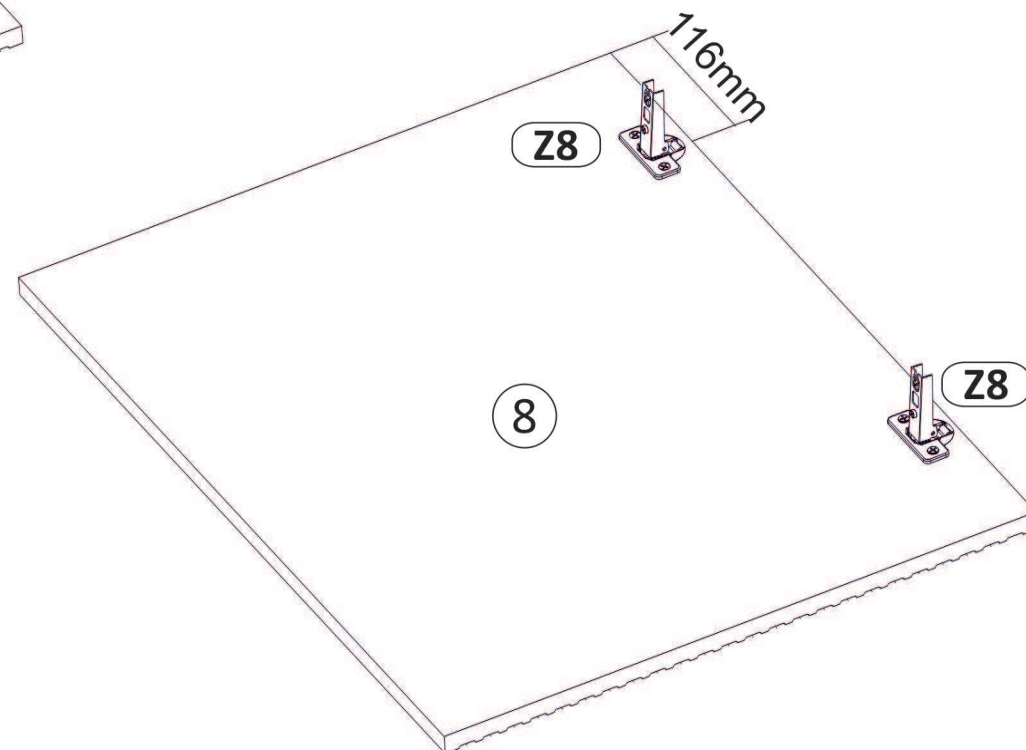
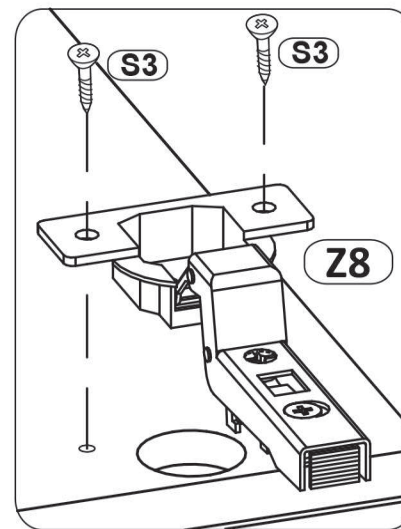
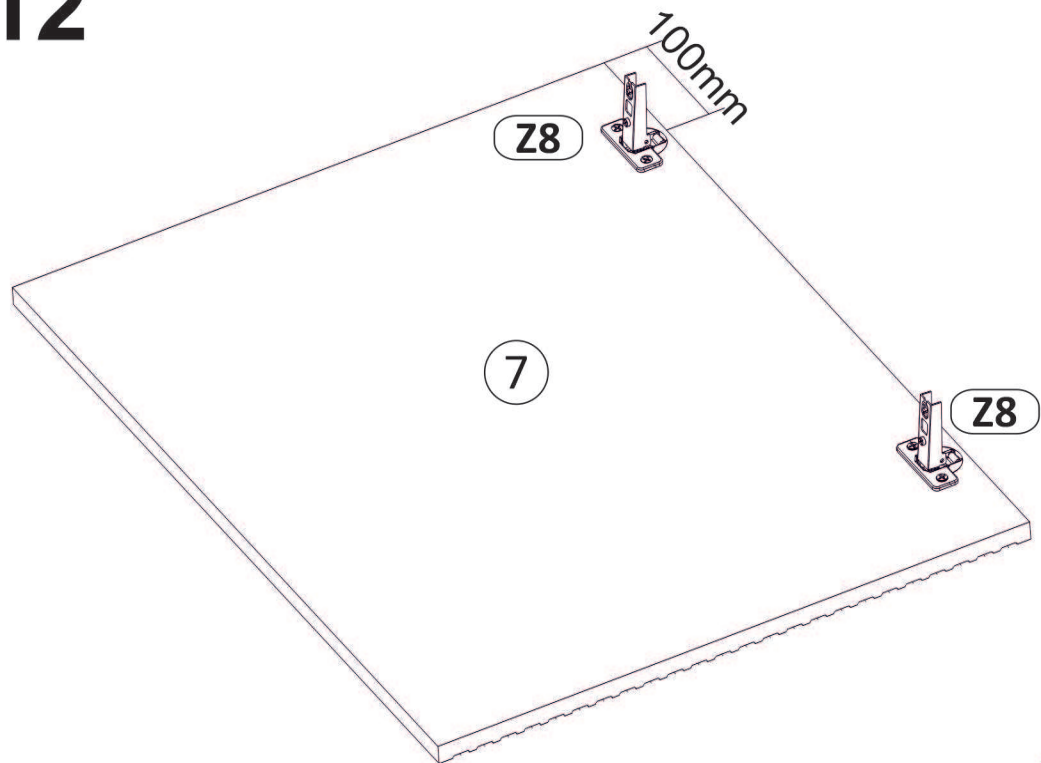
10



11

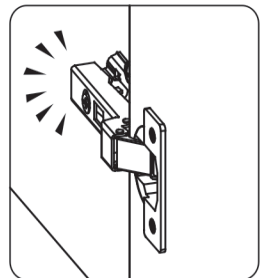
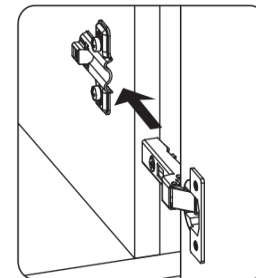
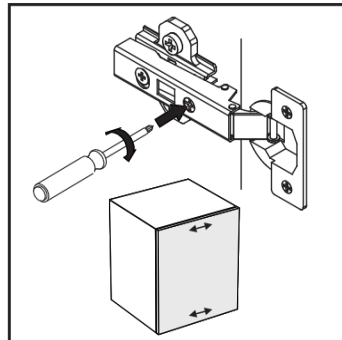
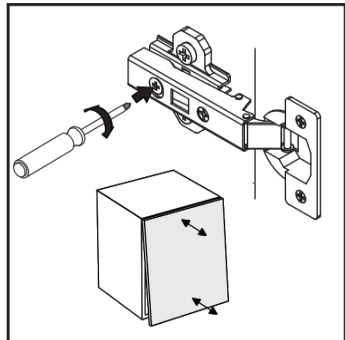
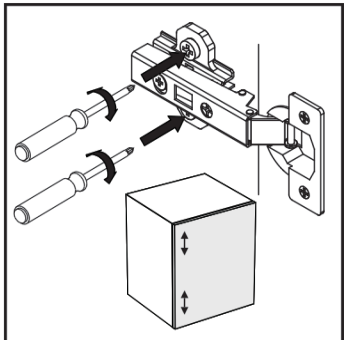
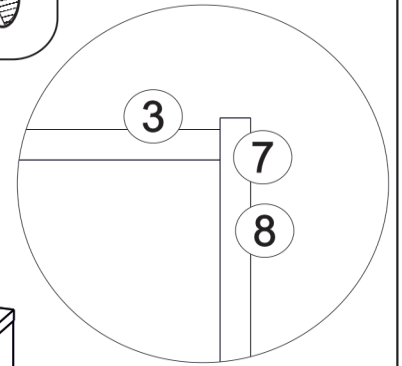
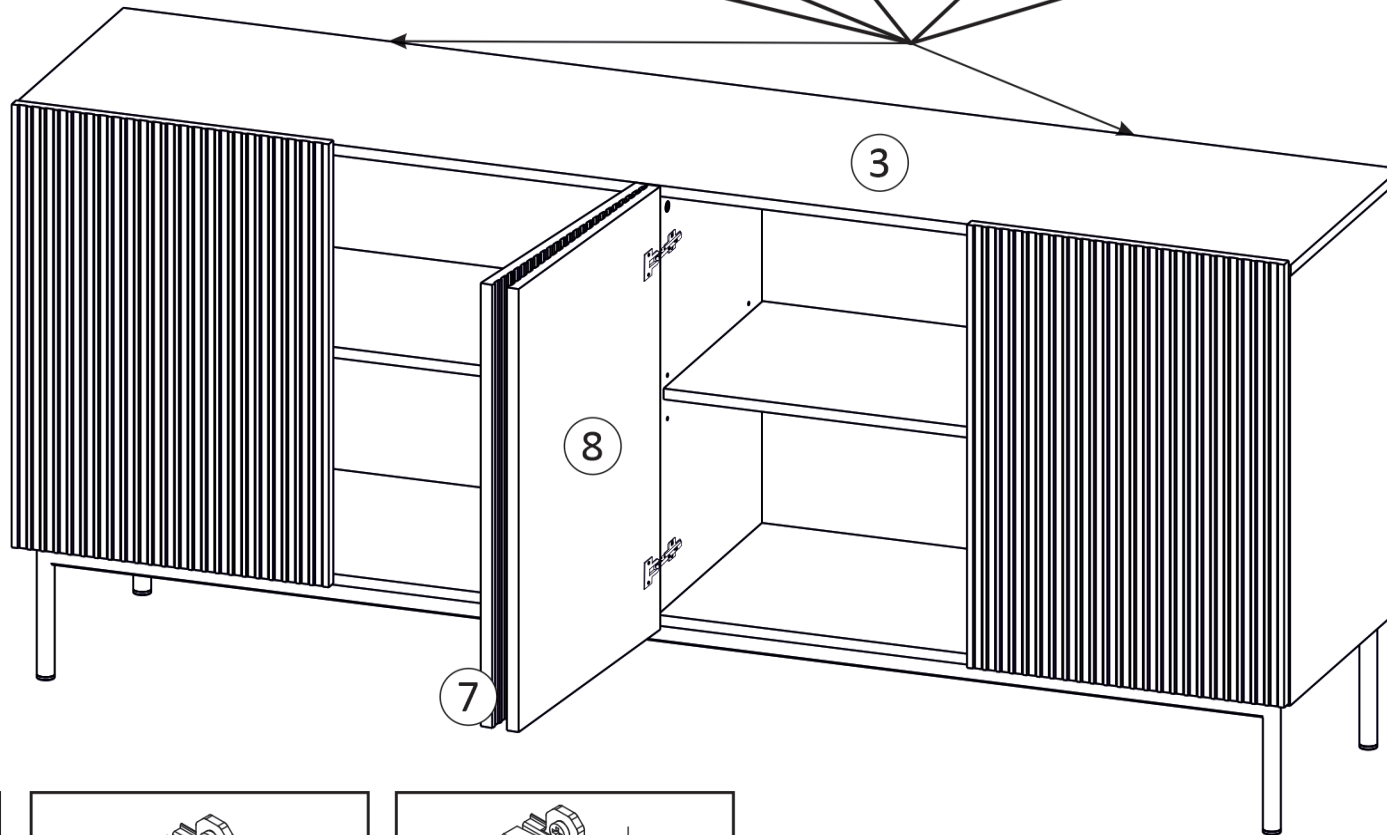
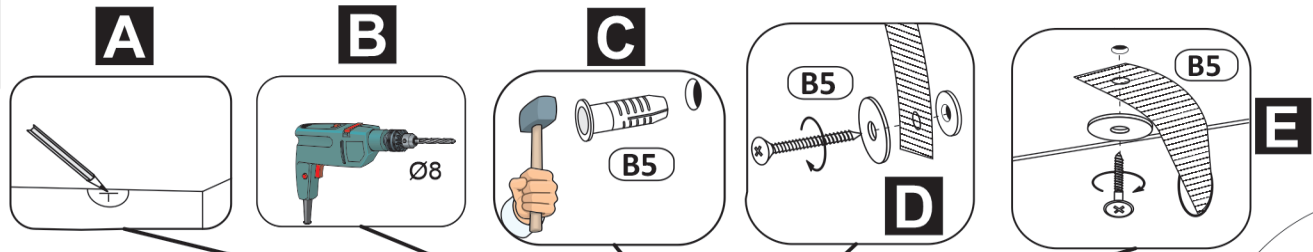


12



Model: *Nicole 190 4D* 10/10
Modell:

13



Claim your extended 90 day product warranty by registering your product at www.meblefurniture.com/register

**ATTENTION: DO NOT RETURN THIS PRODUCT!!!
PLEASE READ THE FOLLOWING!!!**

FOR REPLACEMENT/MISSING PARTS:

www.meblefurniture.com/parts

**FOR INSTRUCTION/ASSEMBLY MANUALS
AND VIDEOS:**

www.meblefurniture.com/assembly

ALL OTHER INQUIRIES:

help@meblefurniture.com

**IF YOU ARE MISSING PARTS OR YOUR
PRODUCT ARRIVED DAMAGED:**

Please fill out a parts request form at
www.meblefurniture.com/parts

Replacement parts are shipped out in one business day. You will receive a tracking number via email once your parts request has been processed.

**IF YOU ARE MISSING AN INSTRUCTION
MANUAL OR NEED ASSEMBLY HELP:**

Please visit www.meblefurniture.com/assembly to access our library of product assembly videos or to download product instruction manuals.

**NOTICE REGARDING HIGH GLOSS
PROTECTIVE FOIL AND PRODUCT CARE:**

After removing the protective foil from the gloss fronts, the acrylic surface of the boards is still soft and easy to scratch. With air contact, the hygroscopic acrylic layer hardens, and the board becomes more resistant to scratches. It takes approximately 48 hours for the acrylic layer of the board to fully harden.

**DO NOT CLEAN, WIPE, OR POLISH THE
ACRYLIC FRONTS FOR 48 HOURS AFTER
REMOVING THE PROTECTIVE FOIL!!!**



help@meblefurniture.com