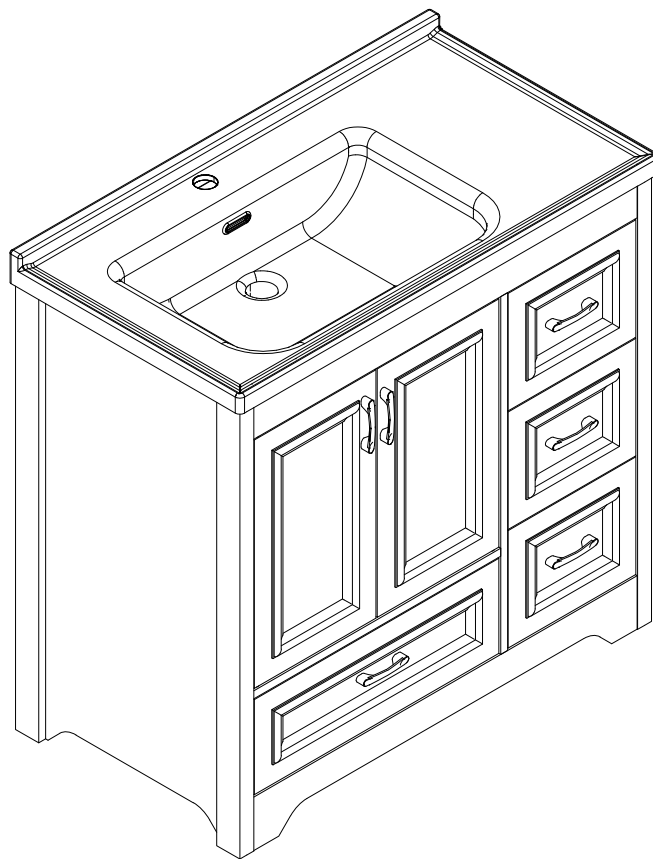
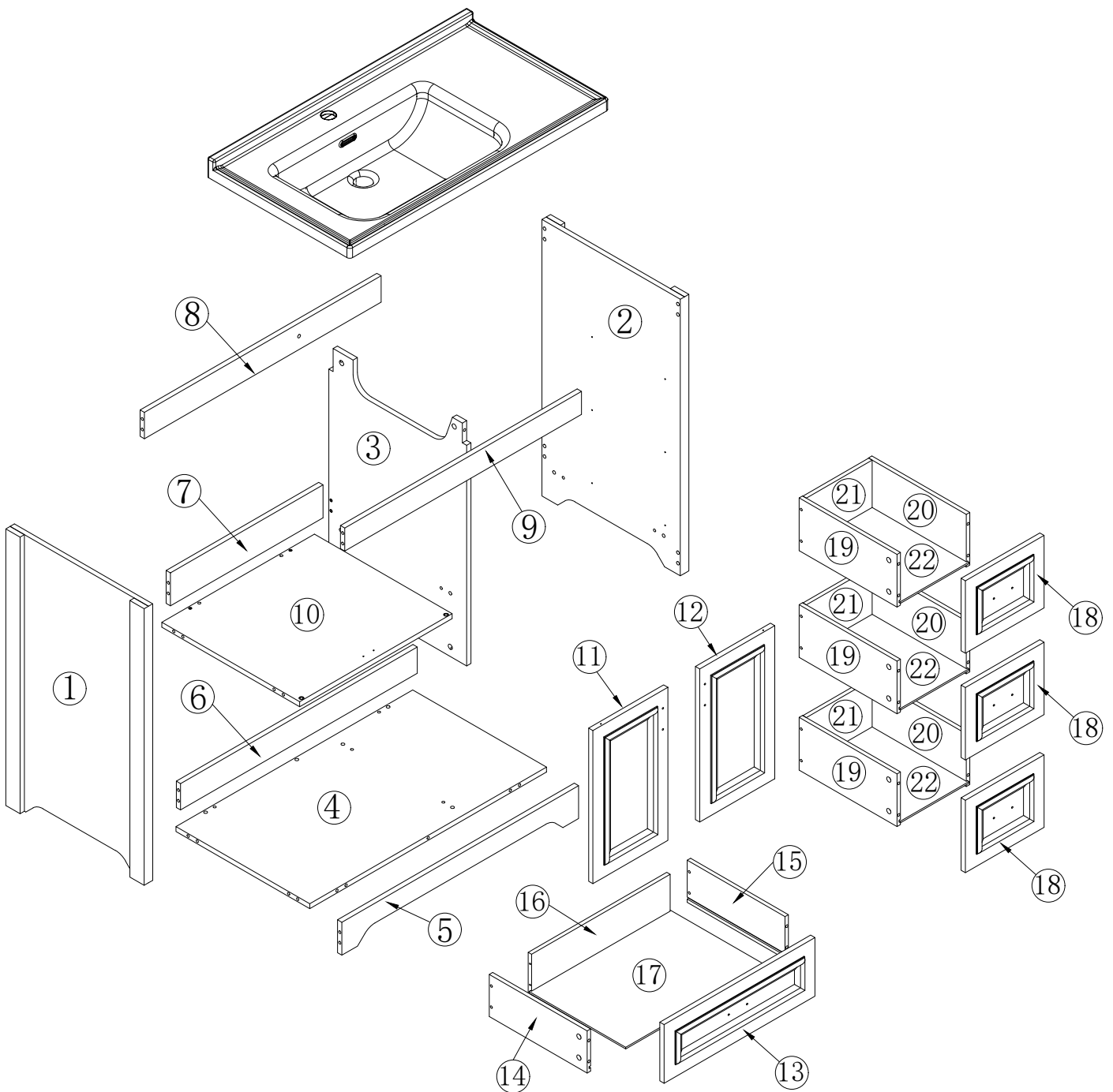


# Assembly Instruction

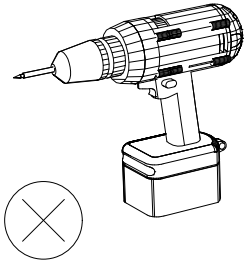
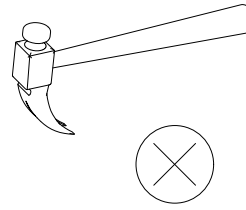
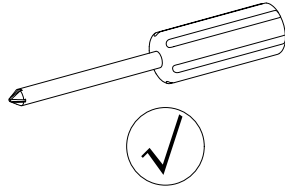
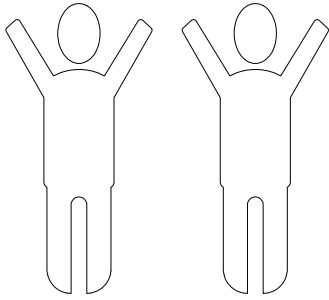
———— CBN106WH ————



# Parts List (EN) / Teile Liste (DE)

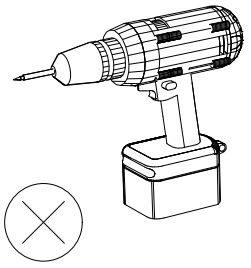
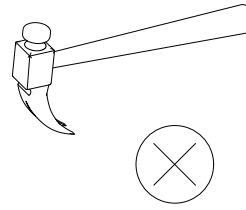
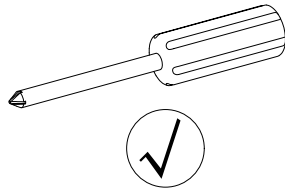
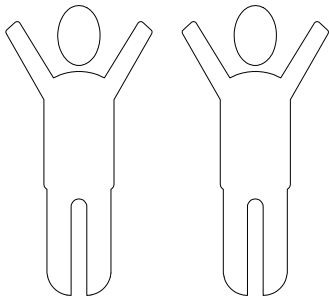


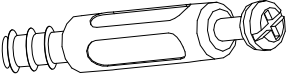

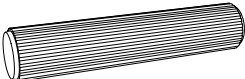
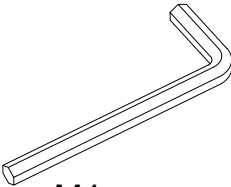
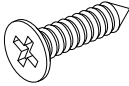
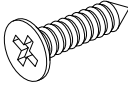
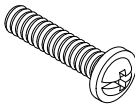
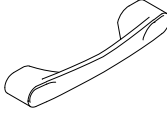
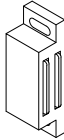
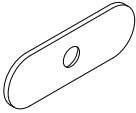
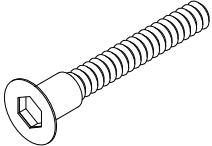
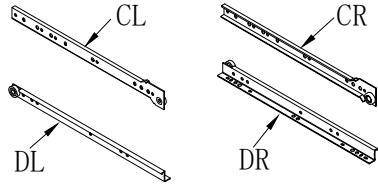
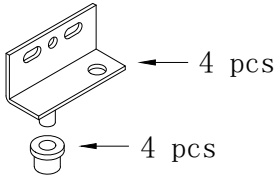
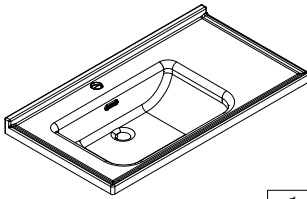
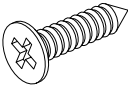
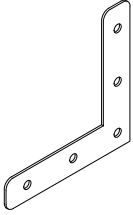
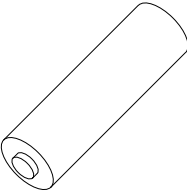
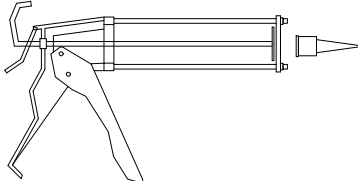
# Parts List (EN) / Teile Liste (DE)



<p>①</p> <p>1PCS</p>	<p>②</p> <p>1PCS</p>	<p>③</p> <p>1PCS</p>	<p>④</p> <p>1PCS</p>	
<p>⑤</p> <p>1PCS</p>	<p>⑥</p> <p>1PCS</p>	<p>⑦</p> <p>1PCS</p>	<p>⑧</p> <p>1PCS</p>	
<p>⑨</p> <p>1PCS</p>	<p>⑩</p> <p>1PCS</p>	<p>⑪</p> <p>1PCS</p>	<p>⑫</p> <p>1PCS</p>	
<p>⑬</p> <p>1PCS</p>	<p>⑭</p> <p>1PCS</p>	<p>⑮</p> <p>1PCS</p>	<p>⑯</p> <p>1PCS</p>	<p>⑰</p> <p>1PCS</p>
<p>⑱</p> <p>3PCS</p>	<p>⑲</p> <p>3PCS</p>	<p>⑳</p> <p>3PCS</p>	<p>㉑</p> <p>3PCS</p>	<p>㉒</p> <p>3PCS</p>

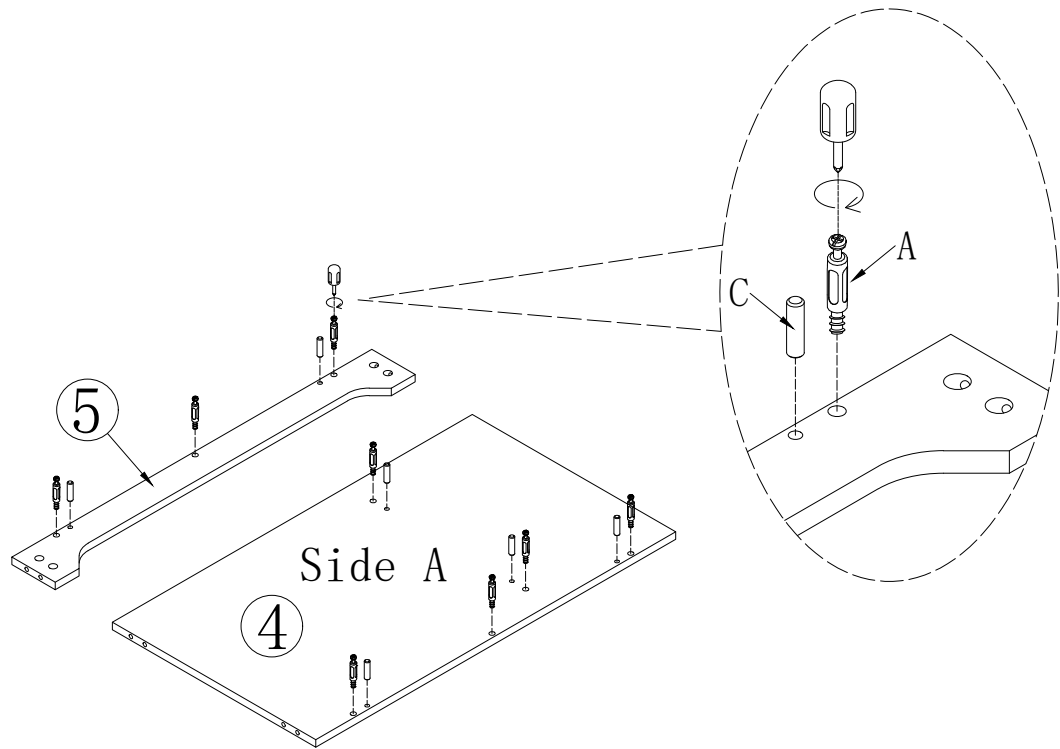
# Parts List (EN) / Teile Liste (DE)





<p><b>A</b></p>  <p><math>\phi 6*35\text{mm}</math> 56+2PCS</p>	<p><b>B</b></p>  <p><math>\phi 15*9.5\text{mm}</math> 56+2PCS</p>	<p><b>C</b></p>  <p><math>\phi 8*30\text{mm}</math> 16+2PCS</p>
<p><b>D</b></p>  <p>M4 1PCS</p>	<p><b>E</b></p>  <p><math>\phi 3.5*12\text{mm}</math> 44+2PCS</p>	<p><b>F</b></p>  <p><math>\phi 3.5*14\text{mm}</math> 14+2PCS</p>
<p><b>G</b></p>  <p><math>\phi 4*12\text{mm}</math> 12+2PCS</p>	<p><b>H</b></p>  <p>6PCS</p>	<p><b>I</b></p>  <p>1PCS</p>
<p><b>J</b></p>  <p>2PCS</p>	<p><b>K</b></p>  <p>ST5*50mm 16+2PCS</p>	<p><b>L</b></p>  <p>L=350mm 4 sets</p>
<p><b>M</b></p>  <p>4 pcs 4 pcs 2 sets</p>	<p><b>N</b></p>  <p>1 pcs</p>	<p><b>O</b></p>  <p><math>\phi 3.0*18\text{mm}</math> 2+1 PCS</p>
<p><b>P</b></p>  <p>4 pcs</p>	<p><b>Q</b></p>  <p>the glue 1 pcs</p>	<p><b>R</b></p>  <p>the glue guns 1 pcs</p>

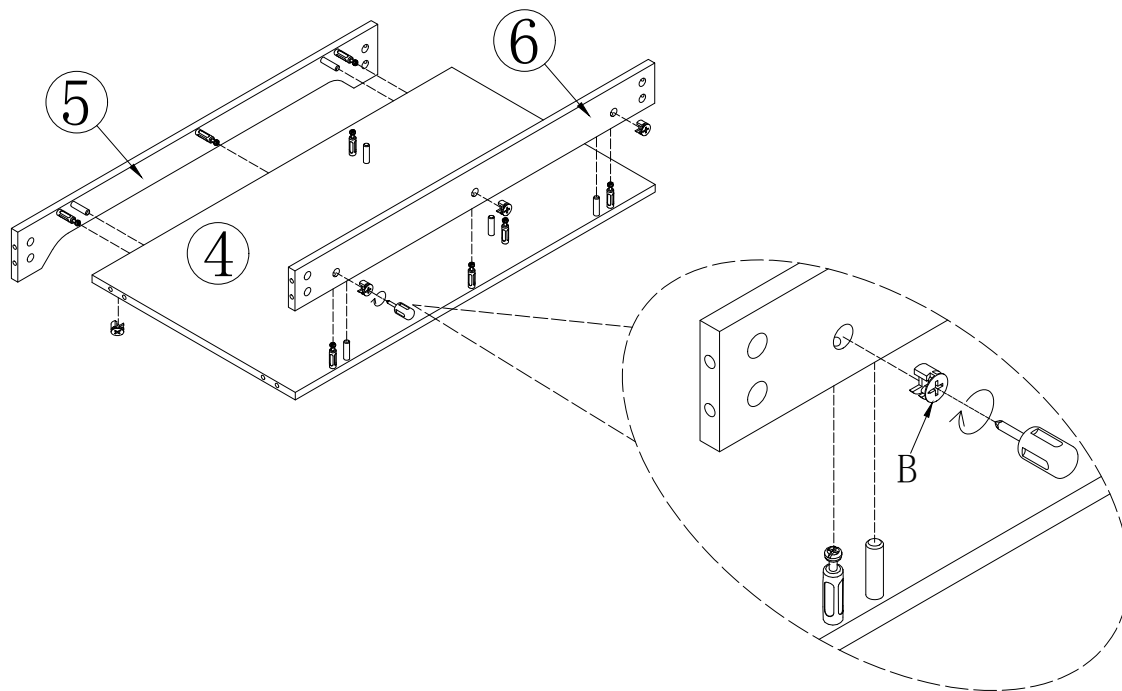
# Assembly Steps (EN) /Montageschritte (DE)

## Step 1



	Ax8pcs
	Cx6pcs

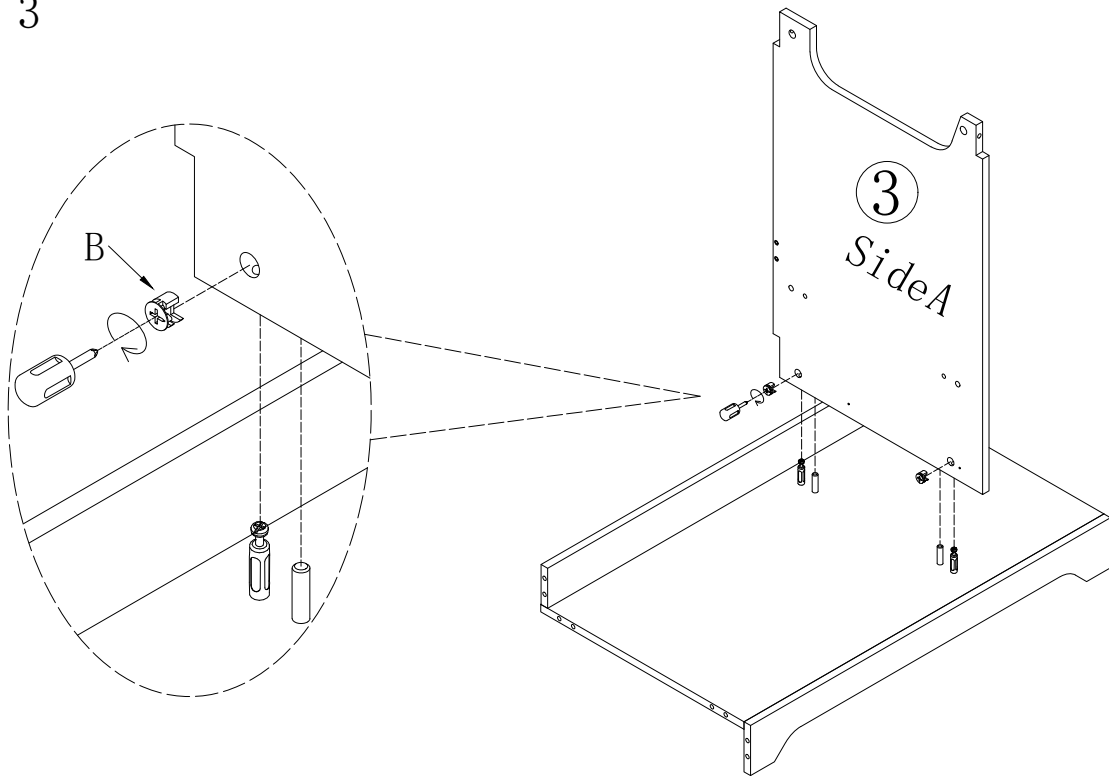
## Step 2



	Bx6pcs
---	--------

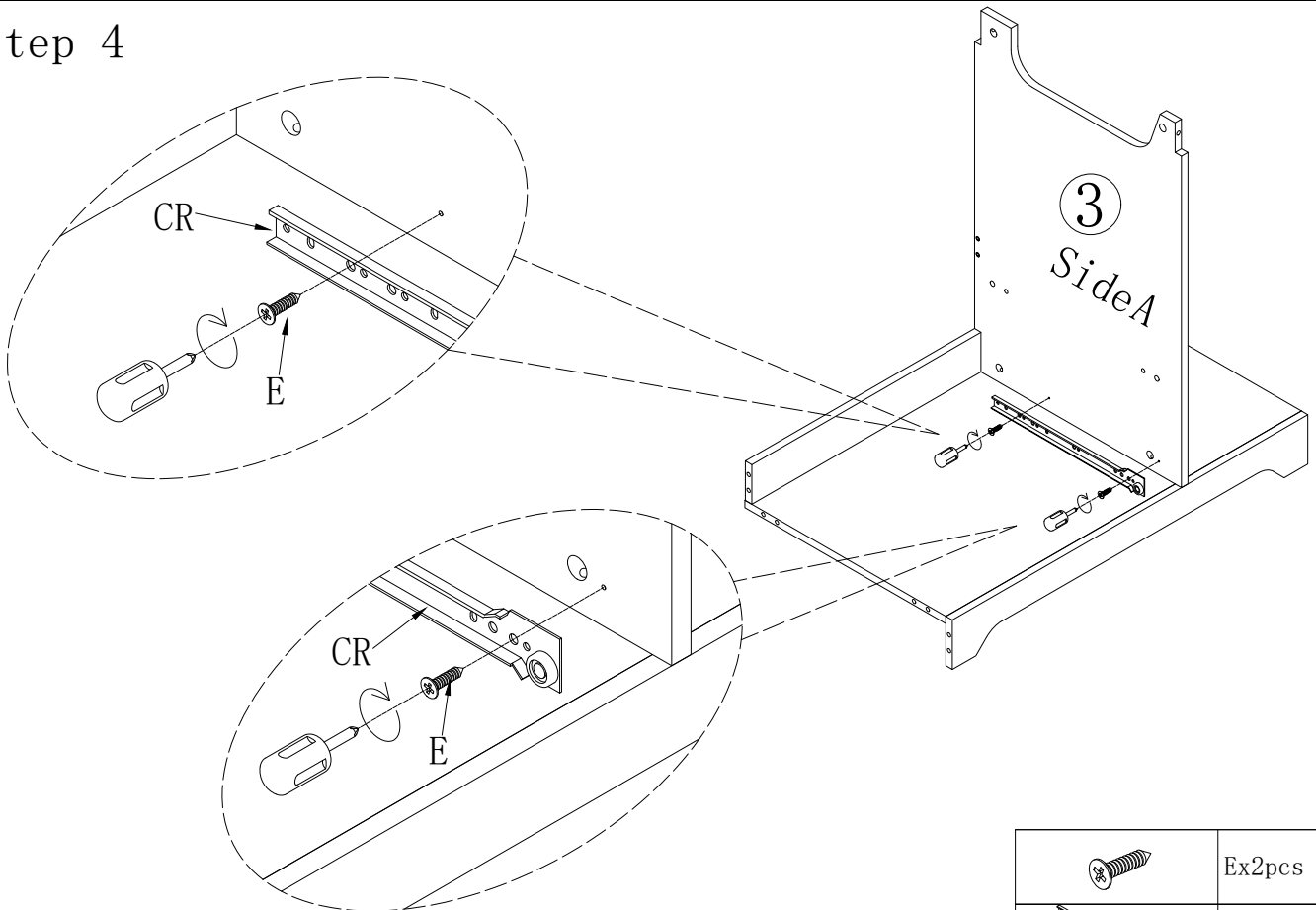
# Assembly Steps (EN) /Montageschritte (DE)

## Step 3

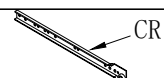


Bx2pcs

## Step 4



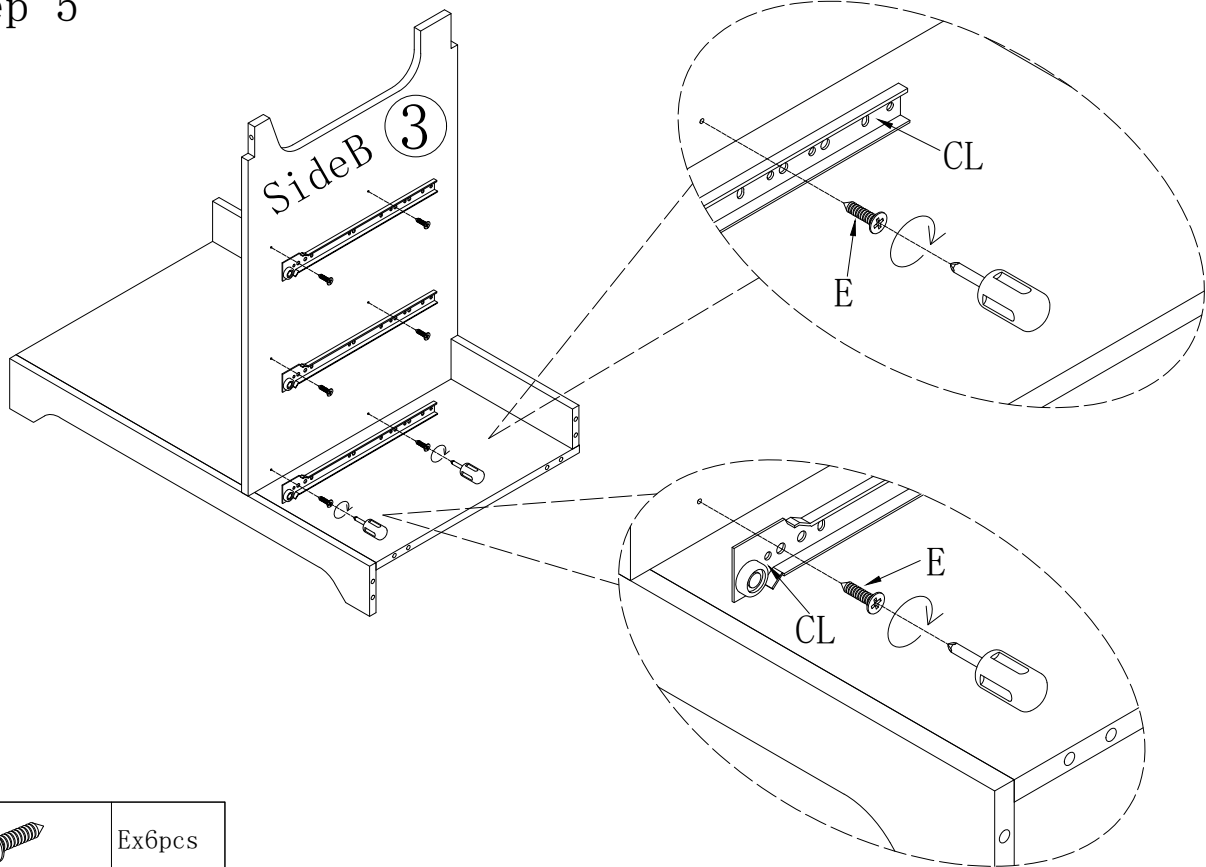
Ex2pcs


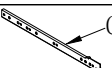


Lx1pcs

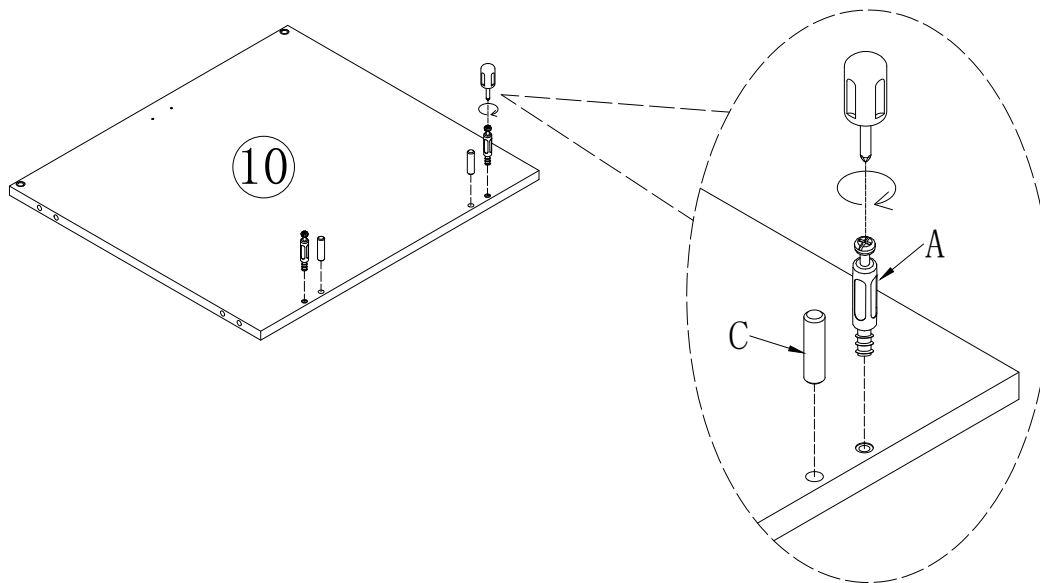
# Assembly Steps (EN) /Montageschritte (DE)



## Step 5



	Ex6pcs
	Lx3pcs

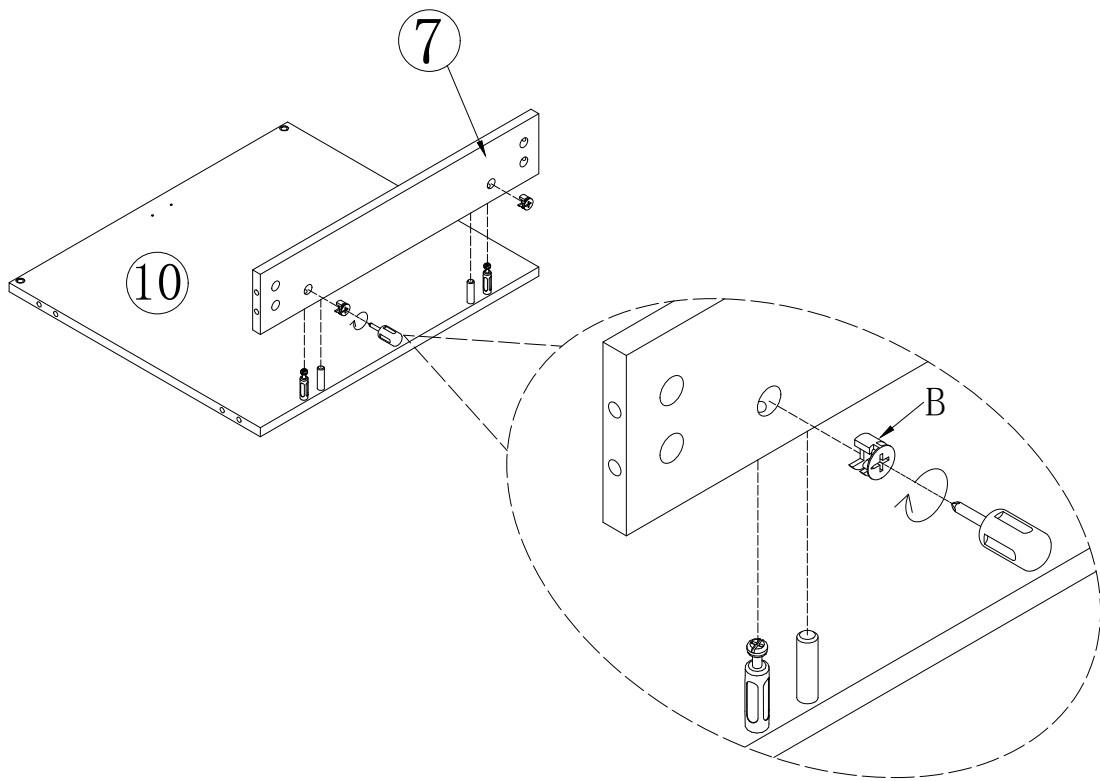
## Step 6



	Ax2pcs
	Cx2pcs

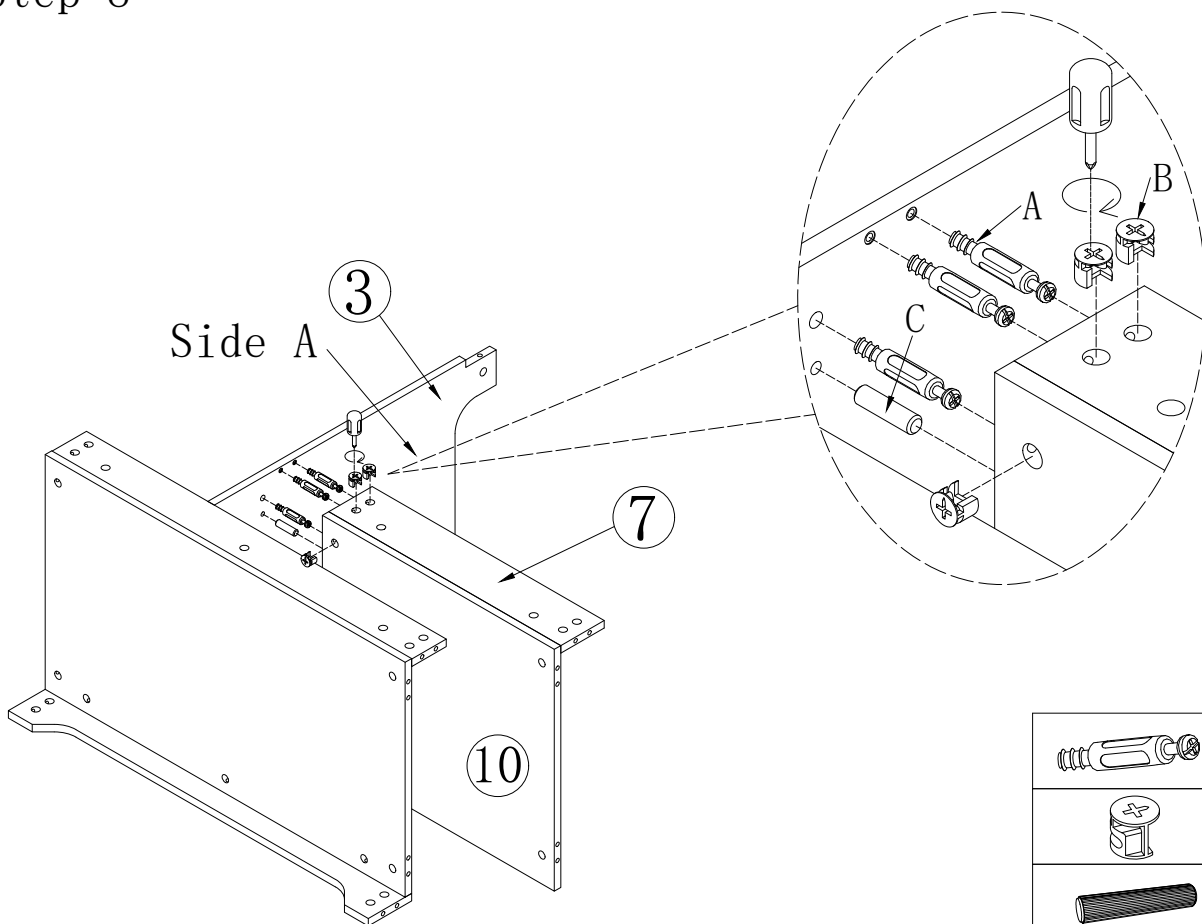
# Assembly Steps (EN) /Montageschritte (DE)

## Step 7



Bx2pcs

## Step 8



Ax4pcs



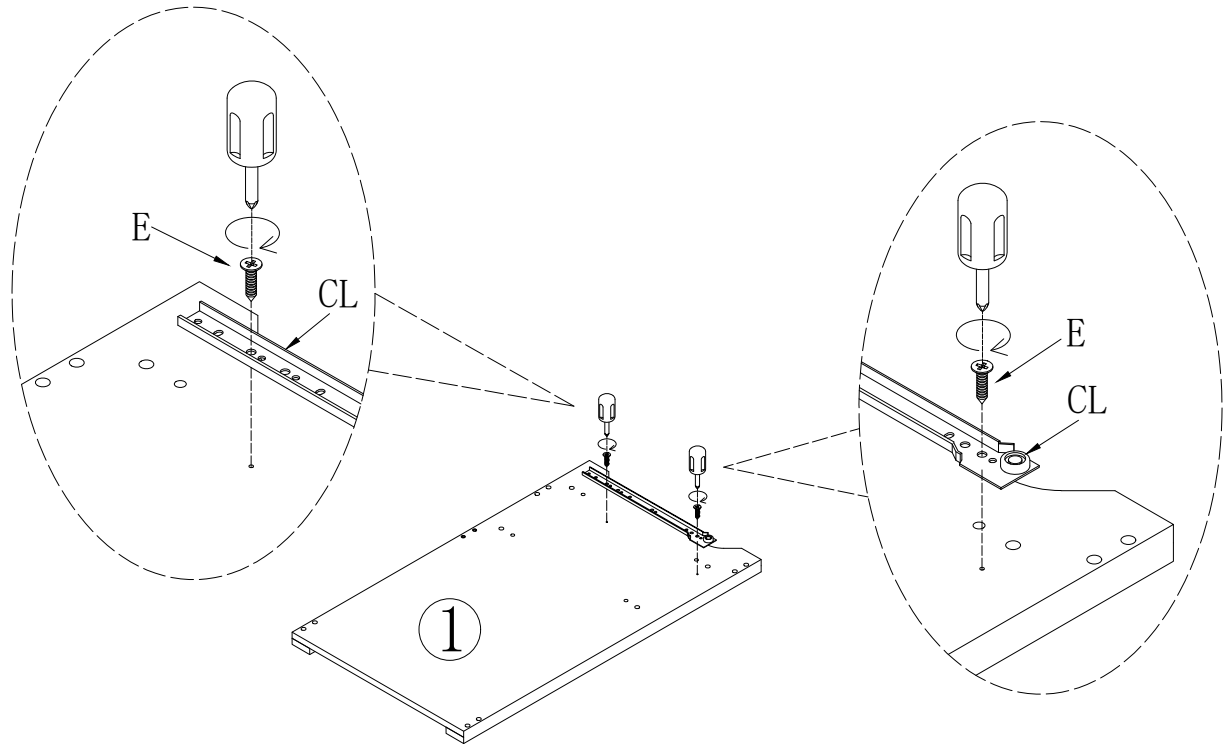
Bx4pcs


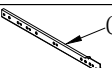


Cx2pcs

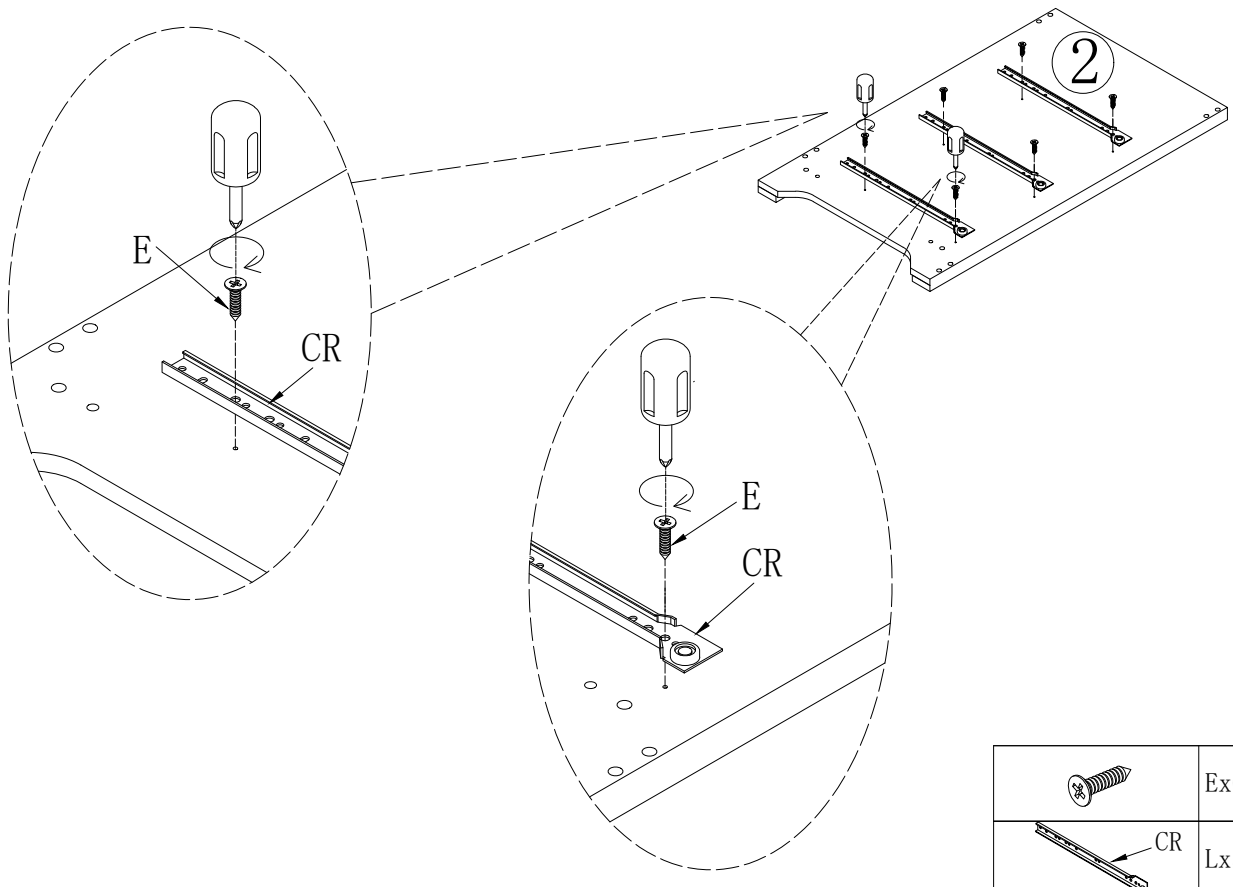
# Assembly Steps (EN) /Montageschritte (DE)



## Step 9



	Ex2pcs
	Lx1pcs

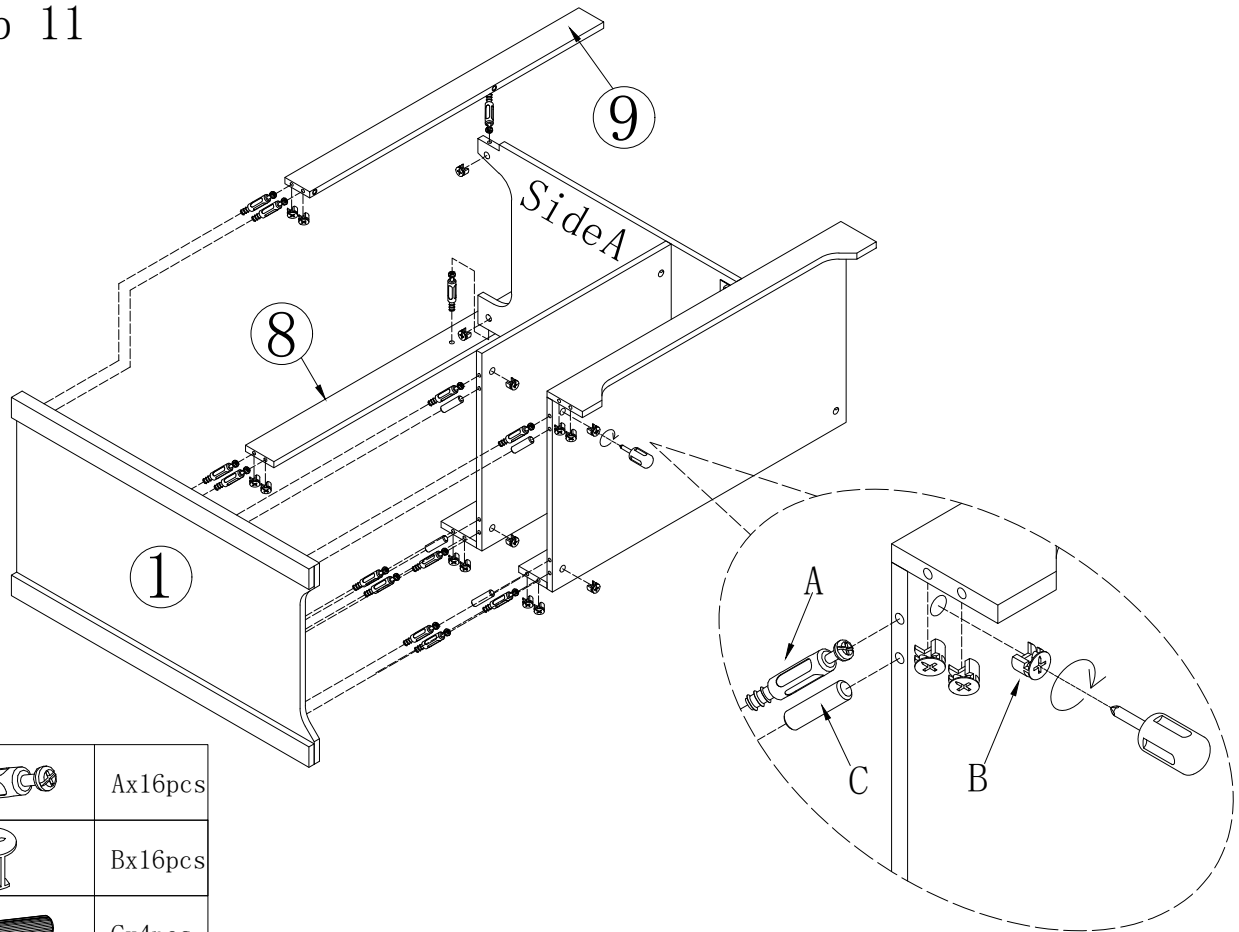
## Step 10



	Ex6pcs
	Lx3pcs

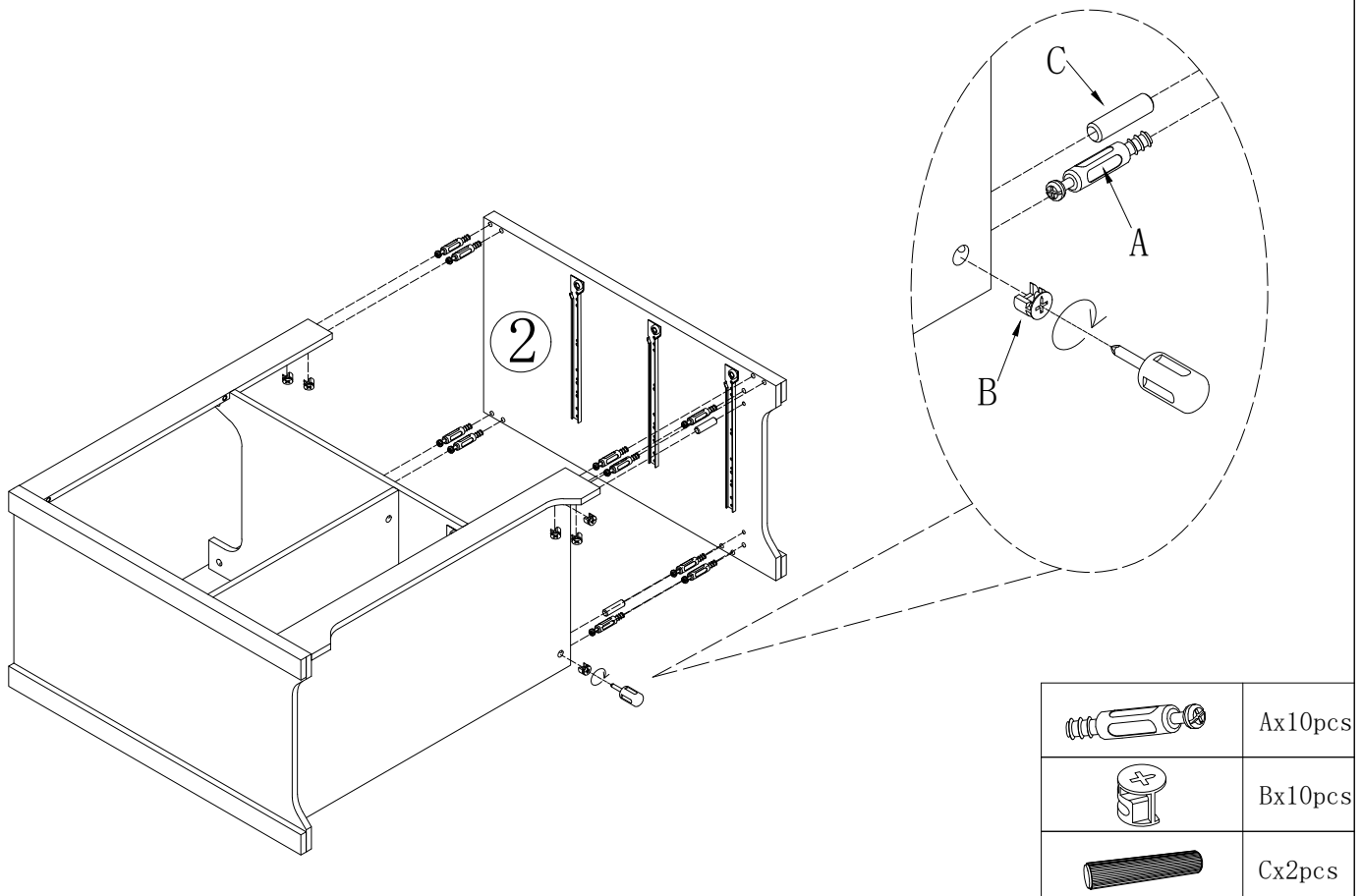
# Assembly Steps (EN) /Montageschritte (DE)

## Step 11



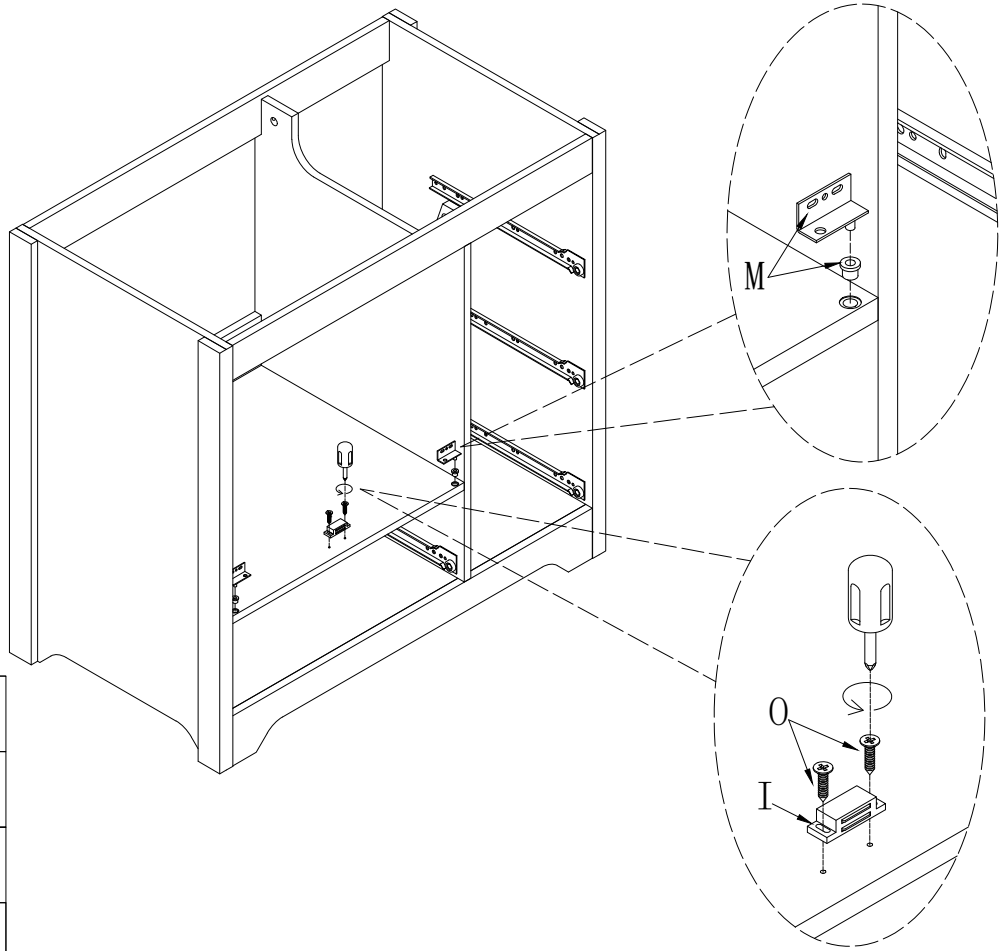
	Ax16pcs
	Bx16pcs
	Cx4pcs

## Step 12



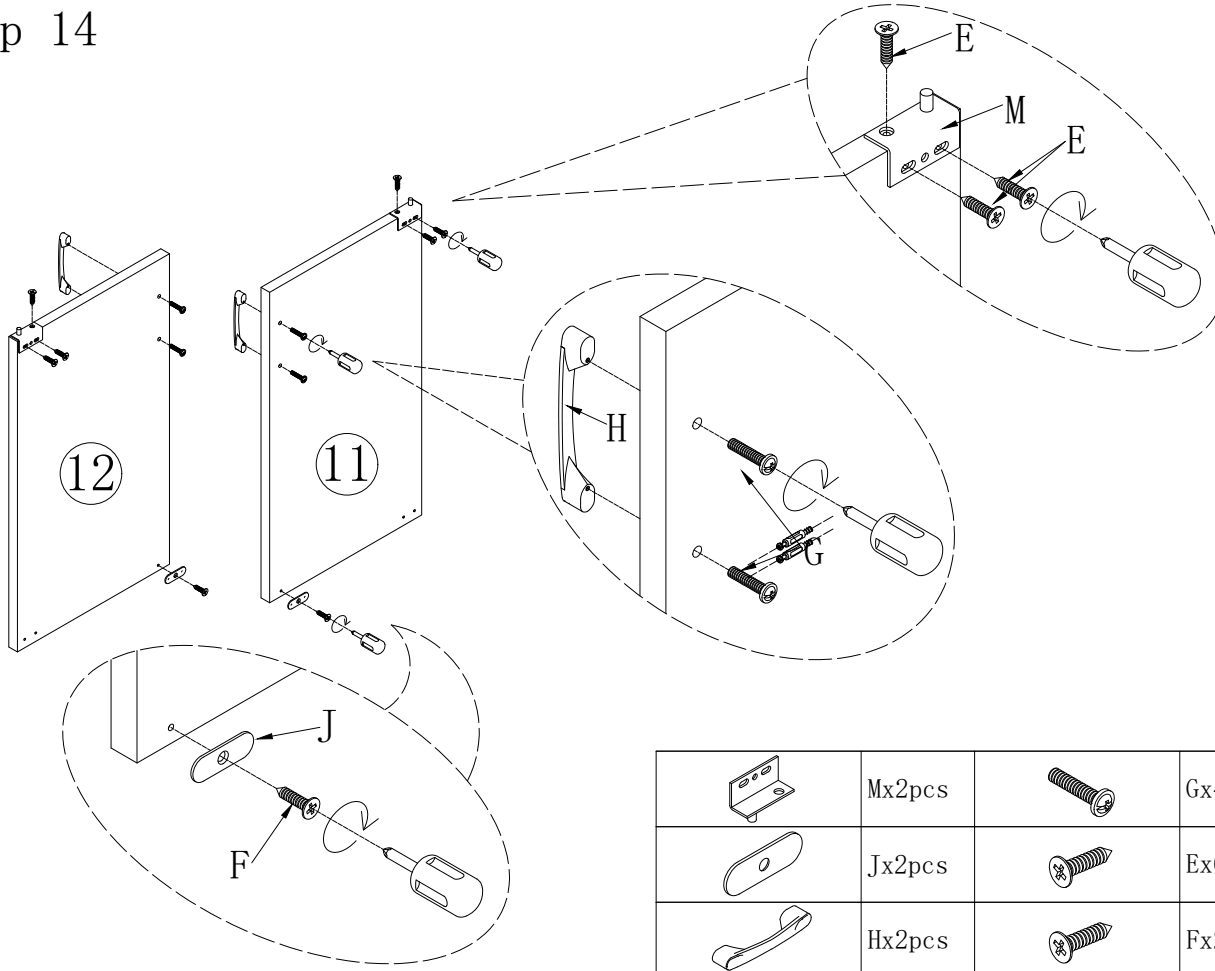
	Ax10pcs
	Bx10pcs
	Cx2pcs

# Step 13



	Mx2pcs
	Mx2pcs
	Ix1pcs
	Ox2pcs

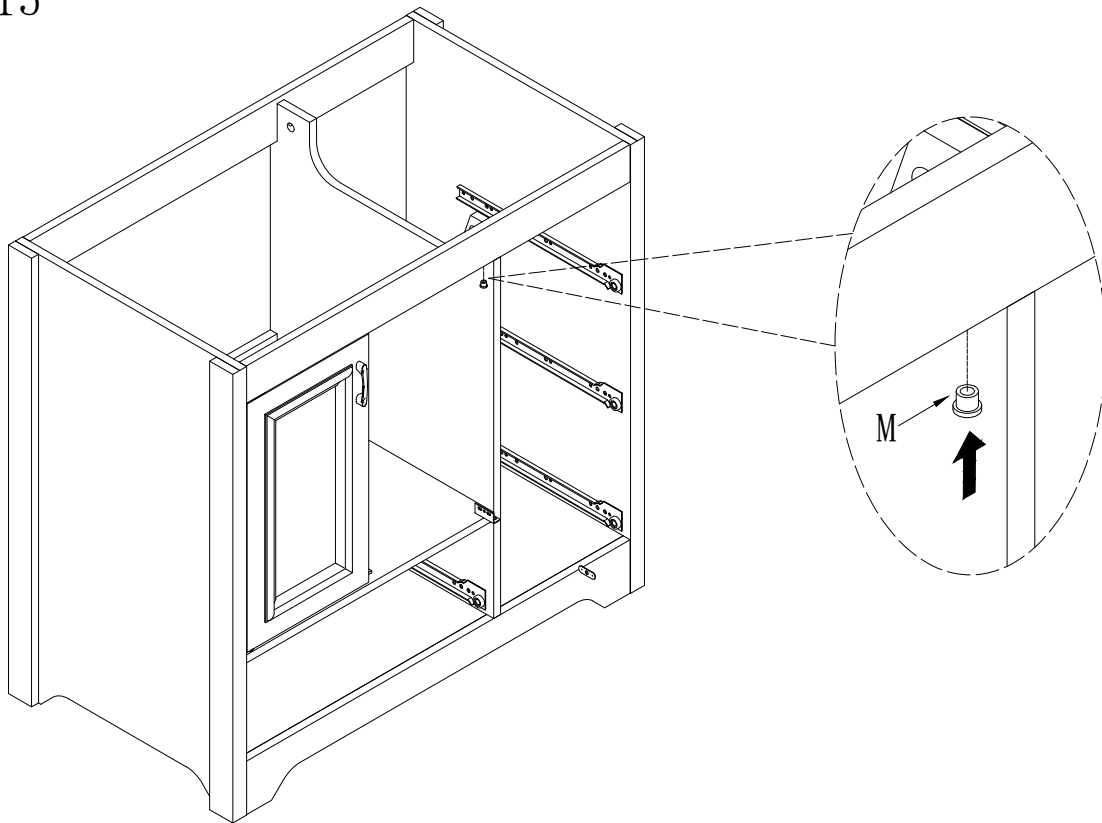
# Step 14



	Mx2pcs		Gx4pcs
	Jx2pcs		Ex6pcs
	Hx2pcs		Fx2pcs

# Assembly Steps (EN) /Montageschritte (DE)

## Step 15

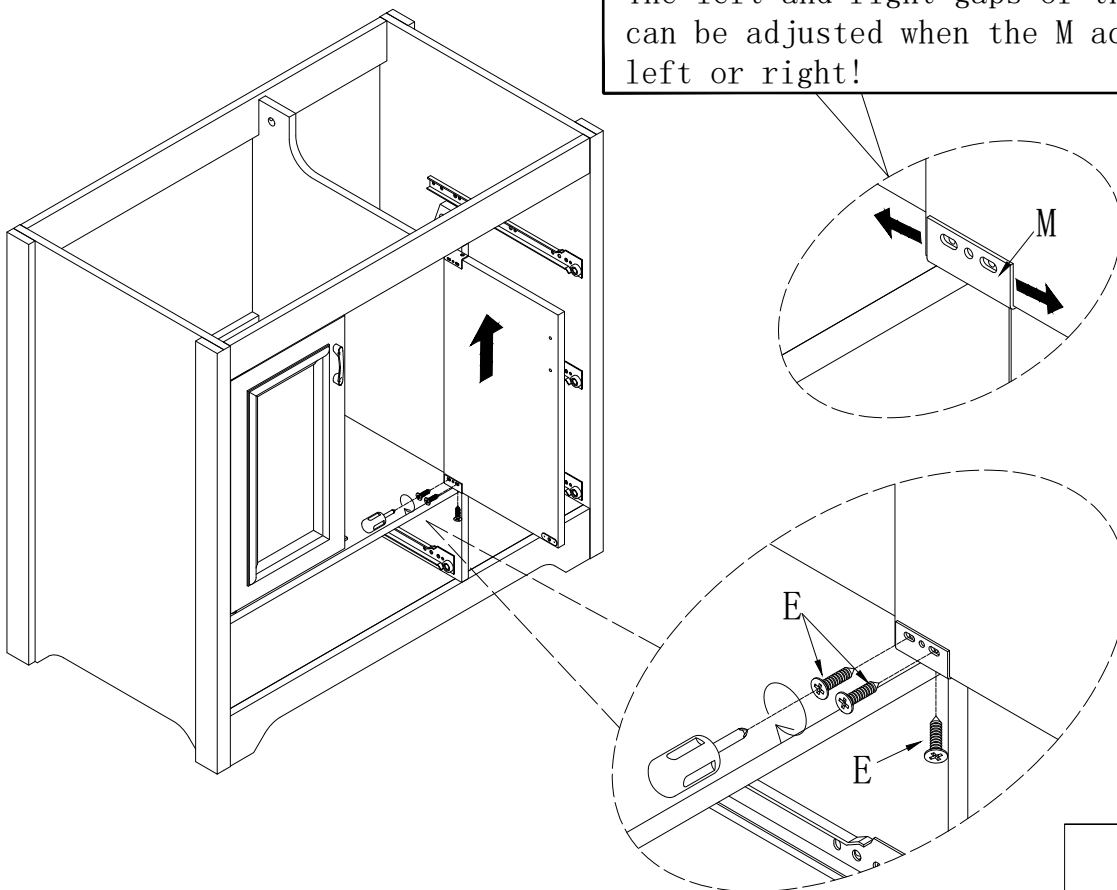


Mx2pcs

## Step 16

Attention:

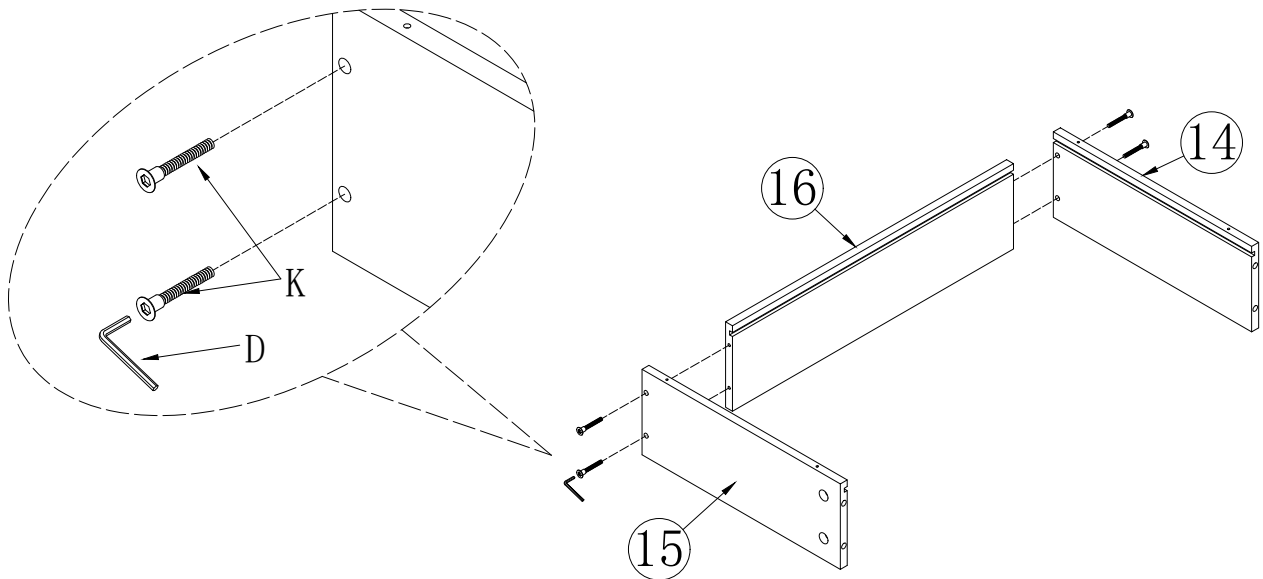
The left and right gaps of the door panel can be adjusted when the M accessory moves left or right!


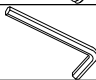


Ex6pcs

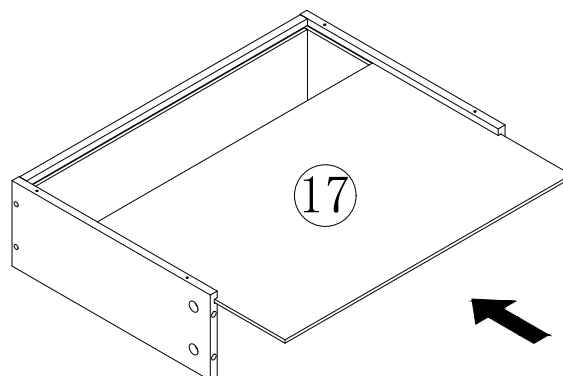
# Assembly Stpes (EN) /Montageschritte (DE)

## Step 17



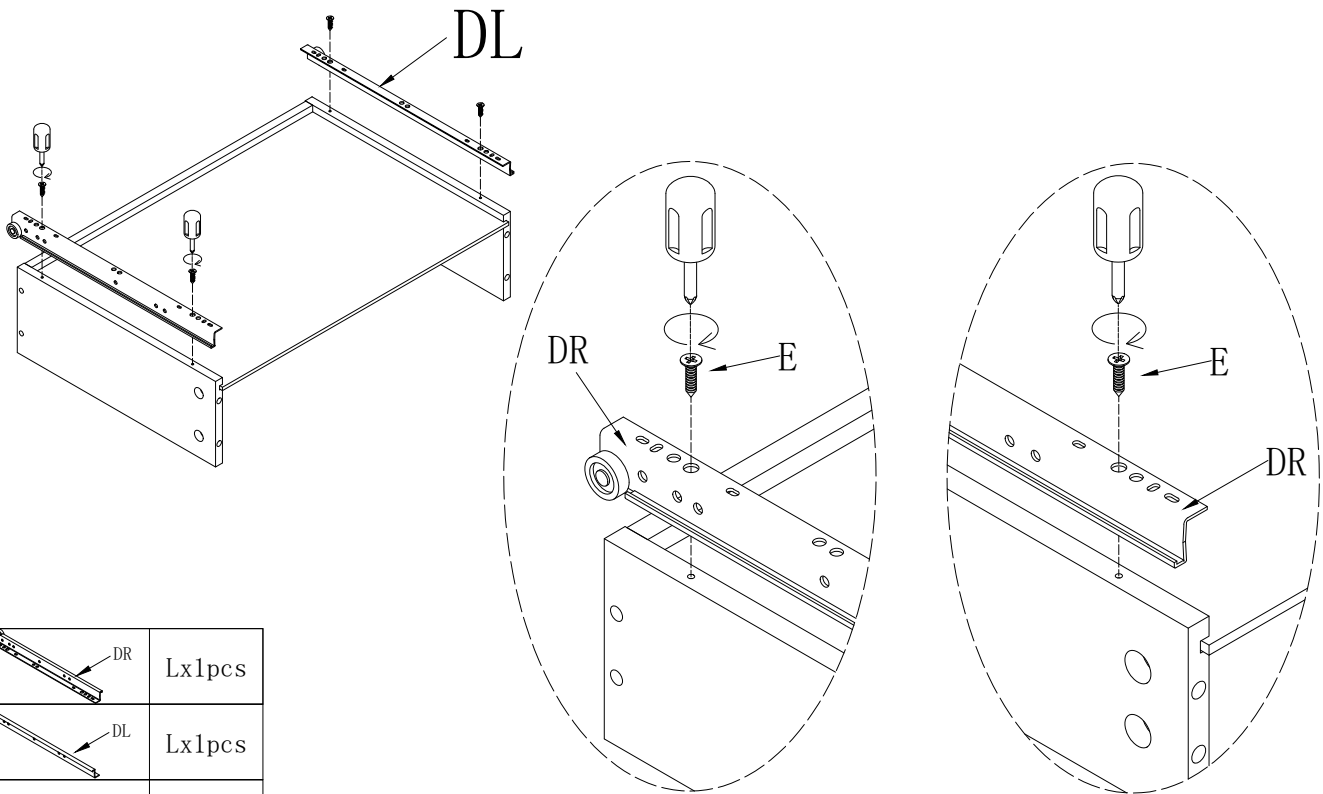
	Kx4pcs
	Dx1pcs

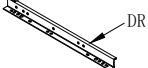
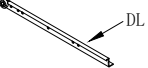

## Step 18



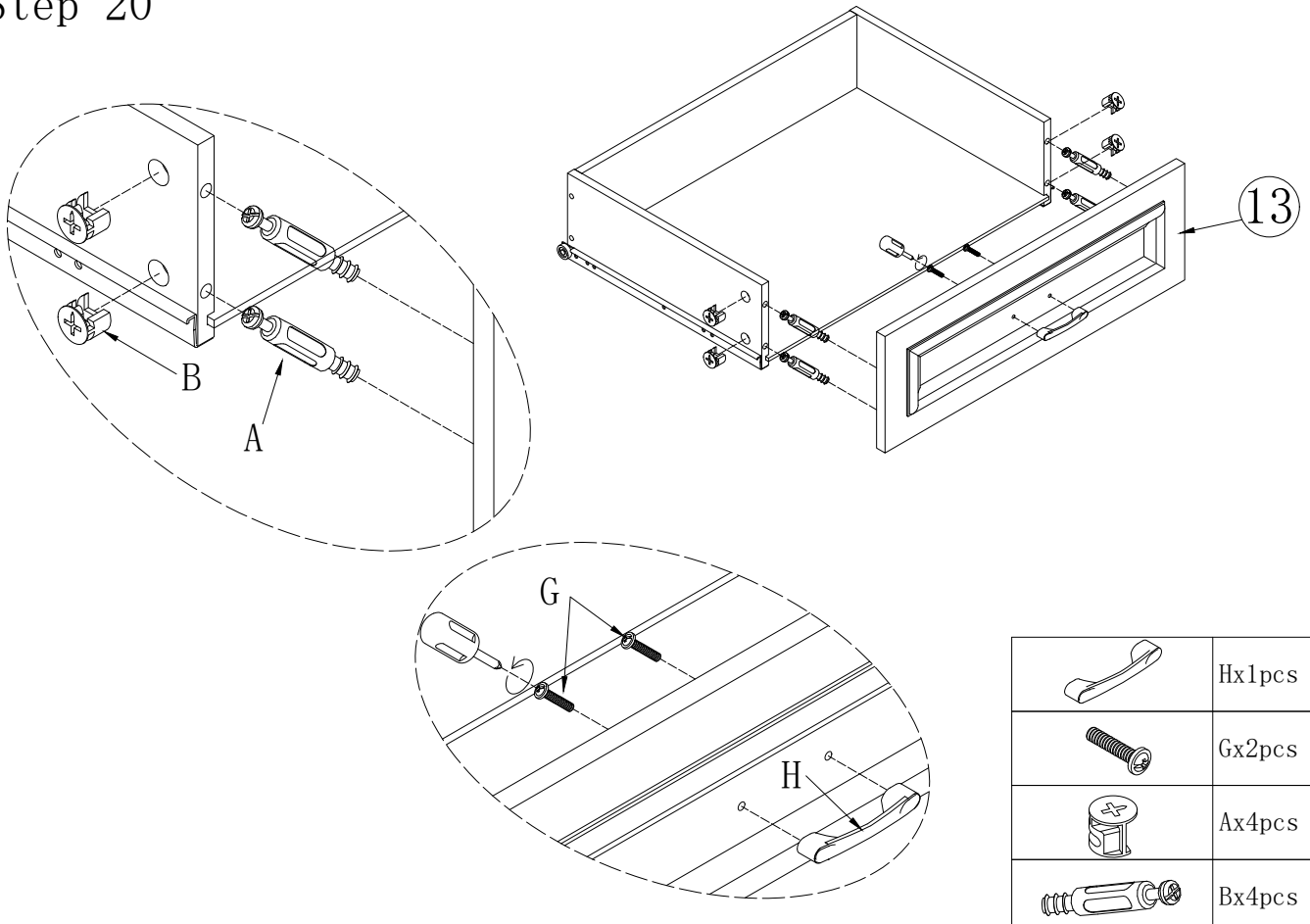
# Assembly Steps (EN) /Montageschritte (DE)





## Step 19



	Lx1pcs
	Lx1pcs
	Ex4pcs

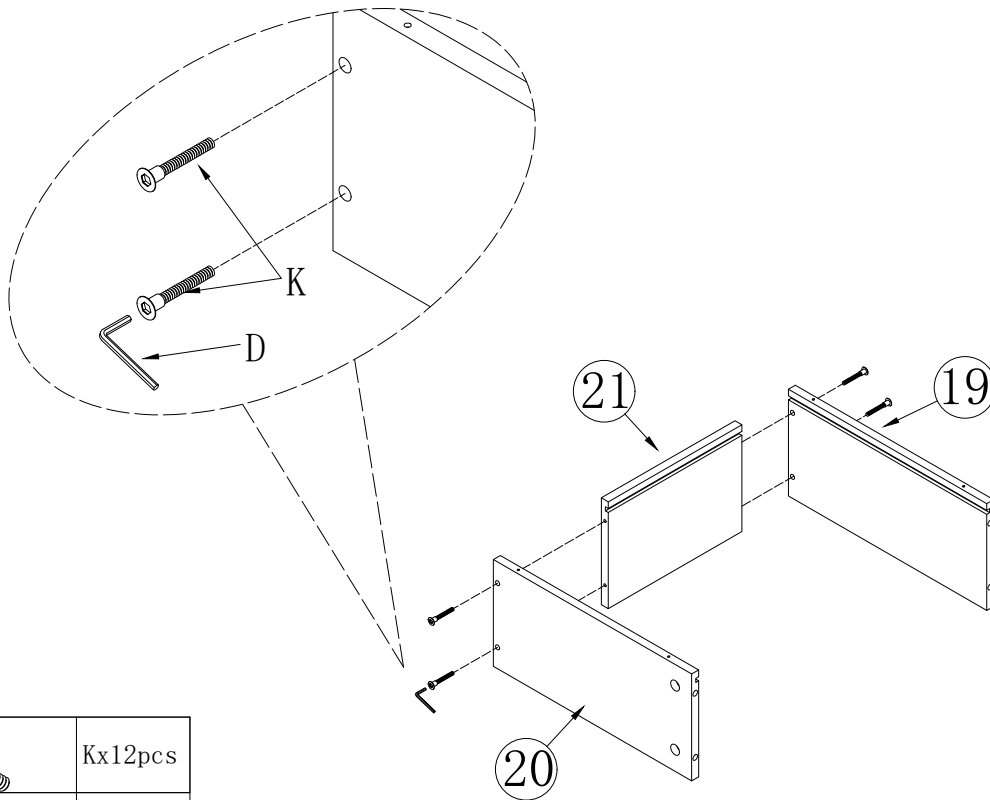
## Step 20


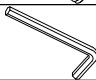


	Hx1pcs
	Gx2pcs
	Ax4pcs
	Bx4pcs

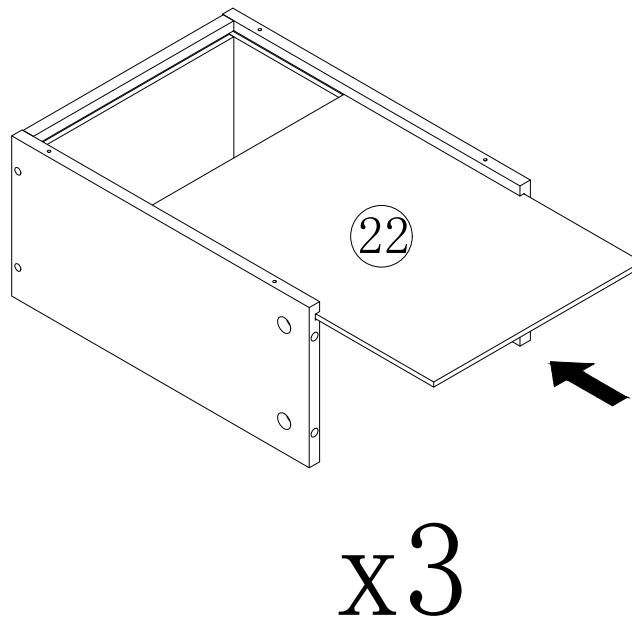
# Assembly Steps (EN) /Montageschritte (DE)

## Step 21



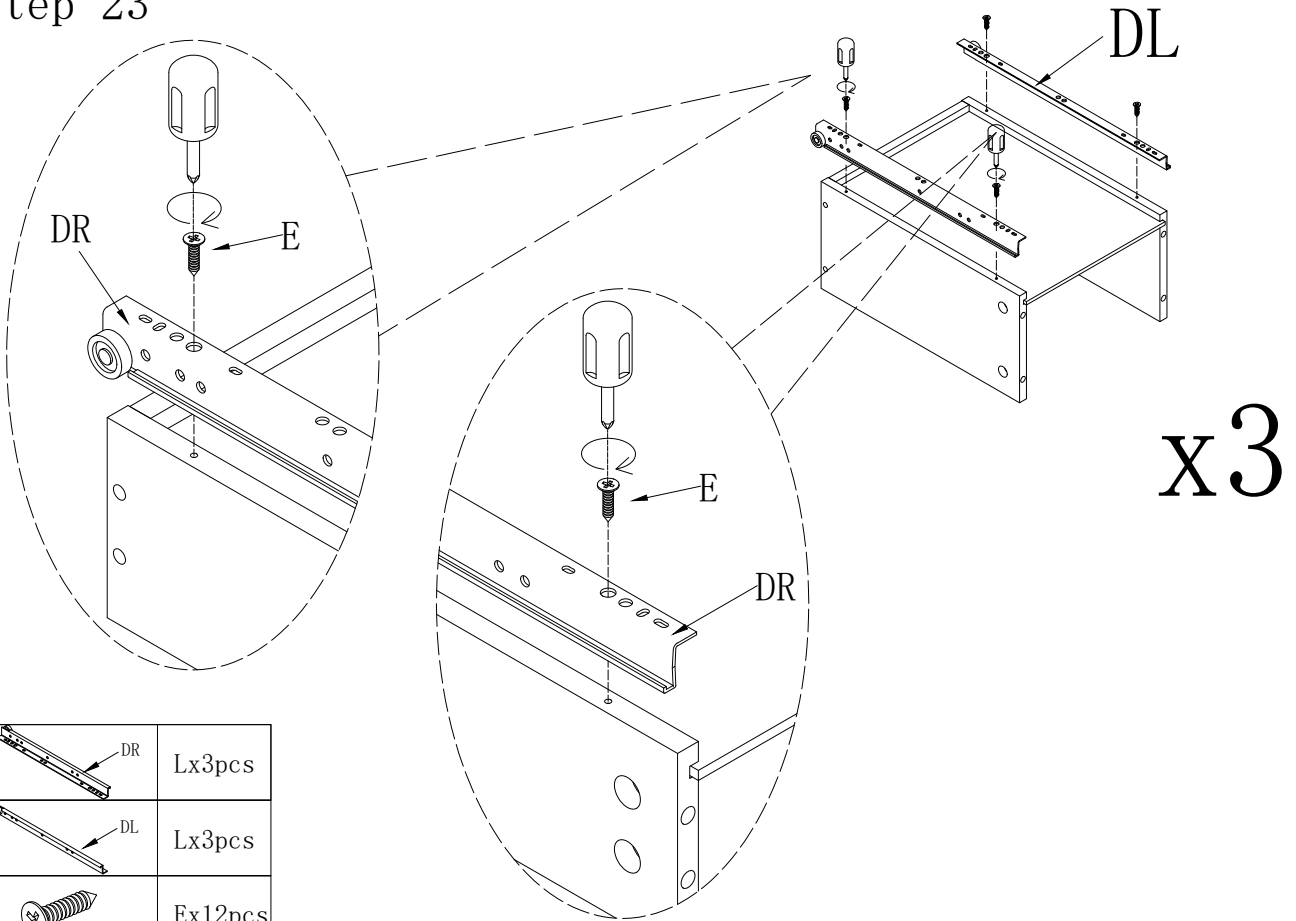
	Kx12pcs
	Dx1pcs

## Step 22

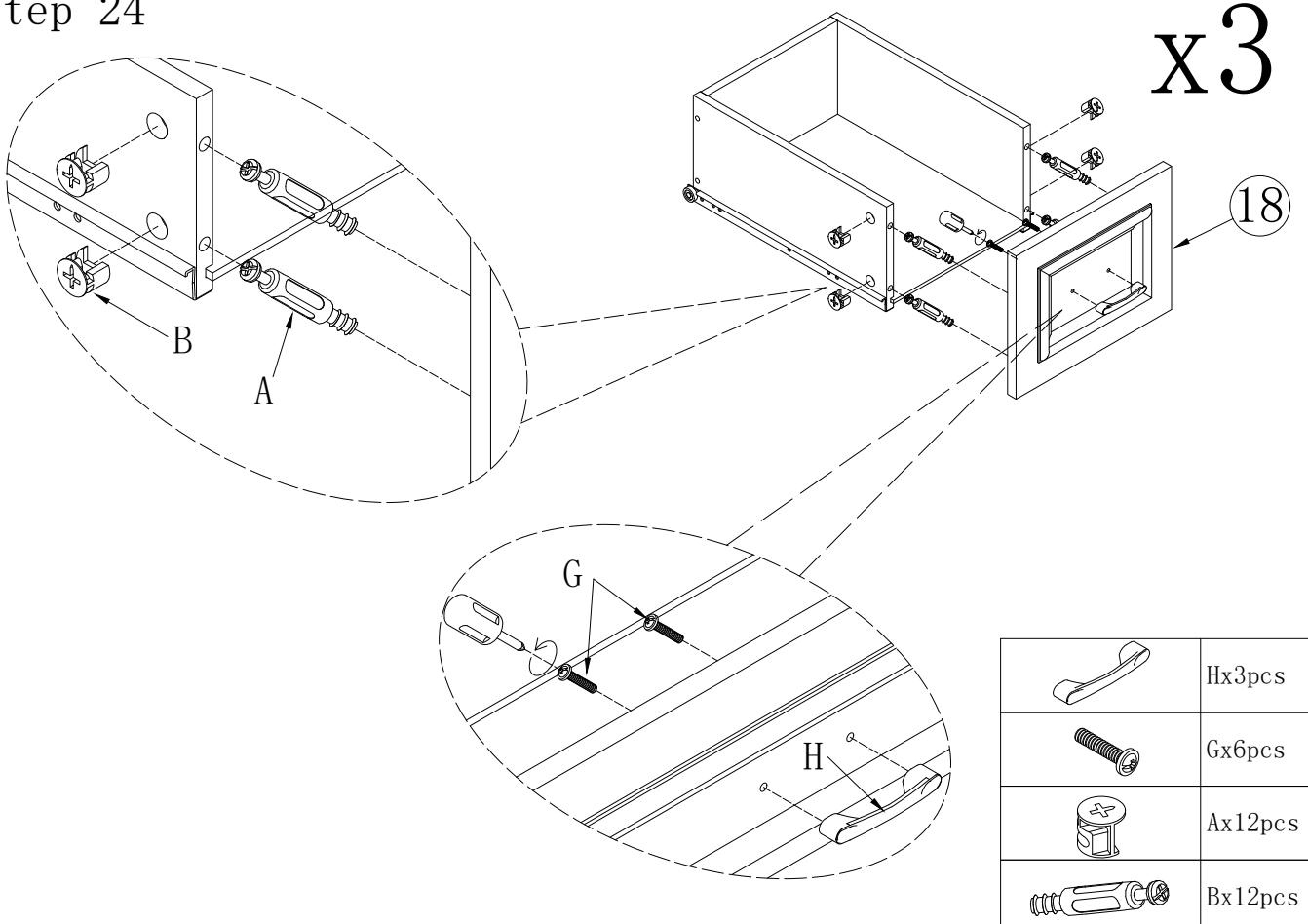


# Assembly Steps (EN) /Montageschritte (DE)

## Step 23

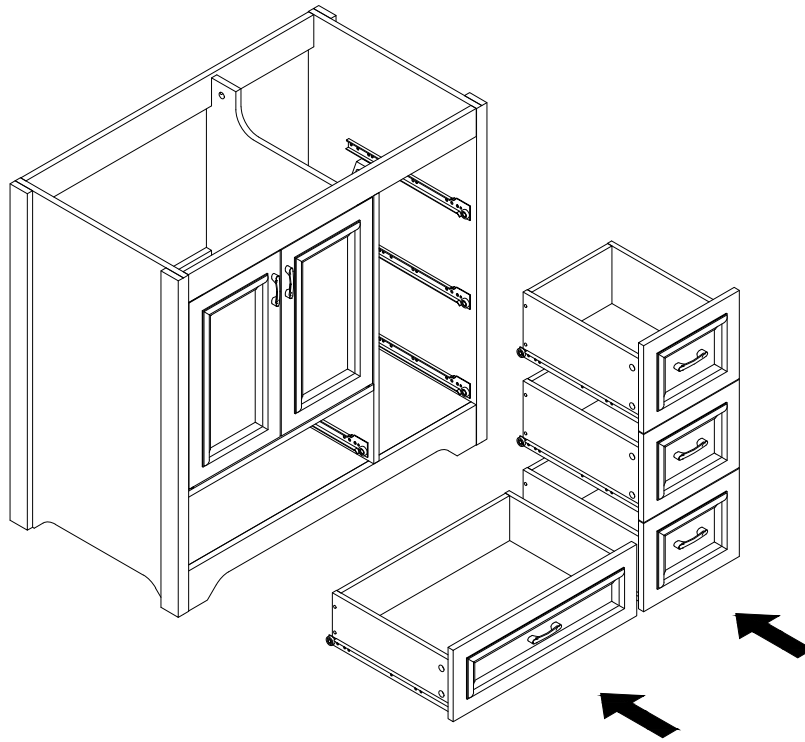


## Step 24

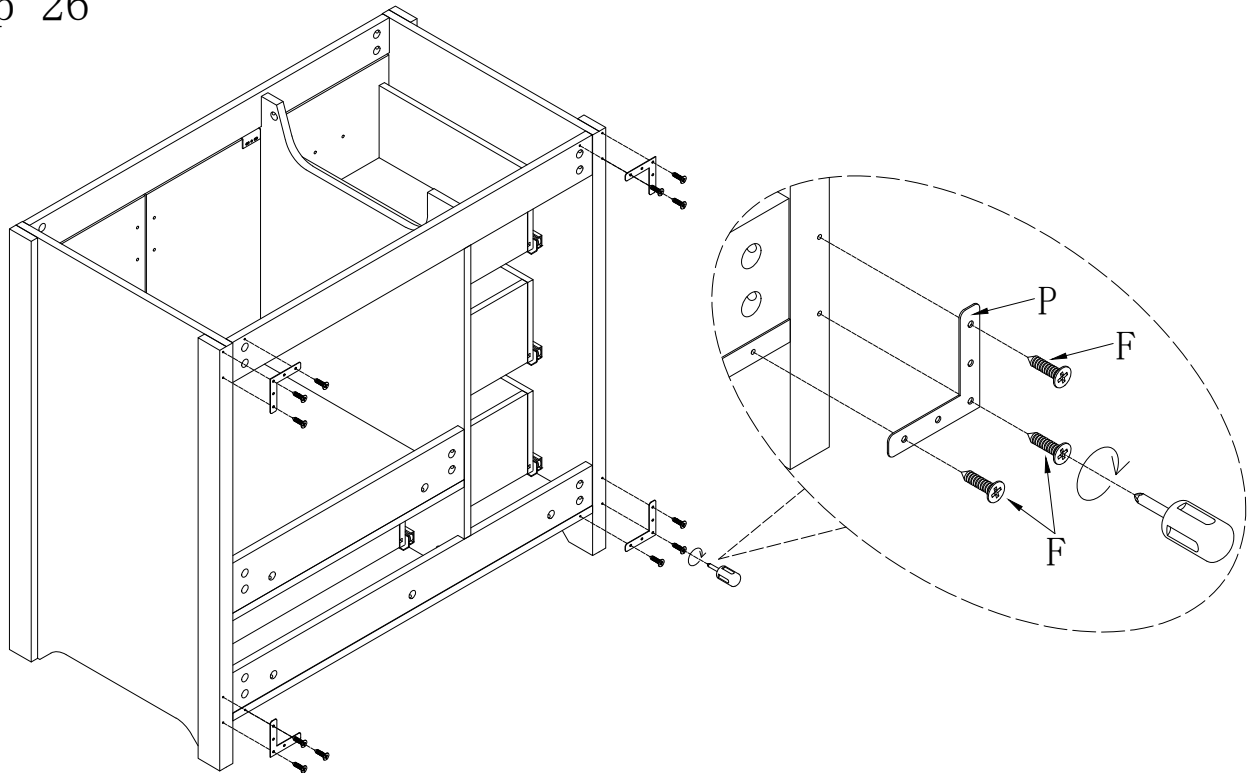




# Assembly Steps (EN) /Montageschritte (DE)

## Step 25



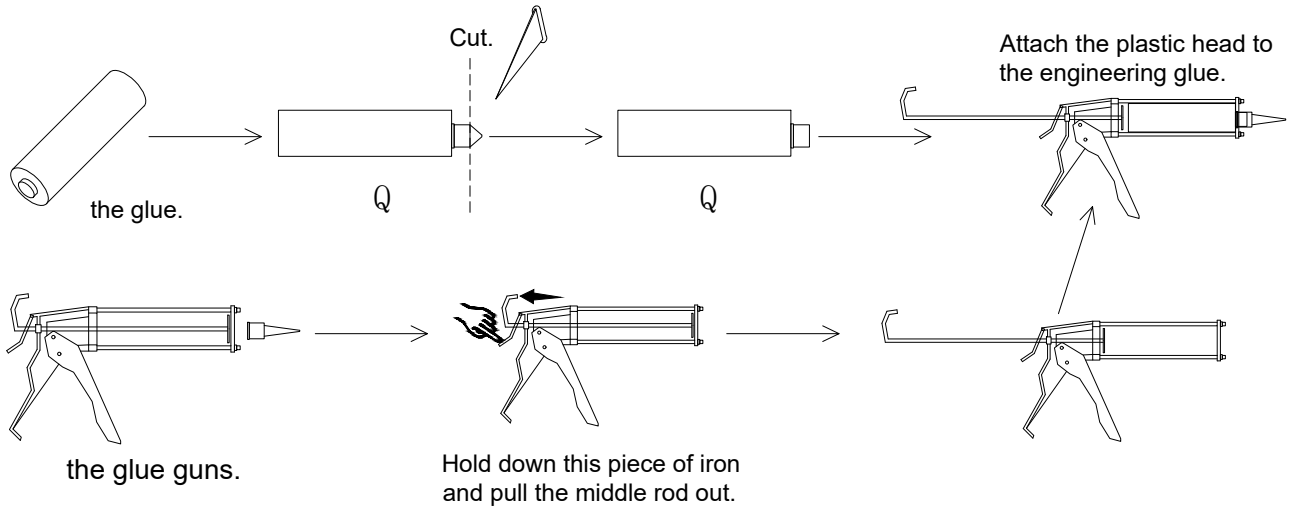
## Step 26

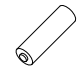
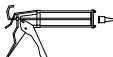


	Px4pcs
	Fx12pcs

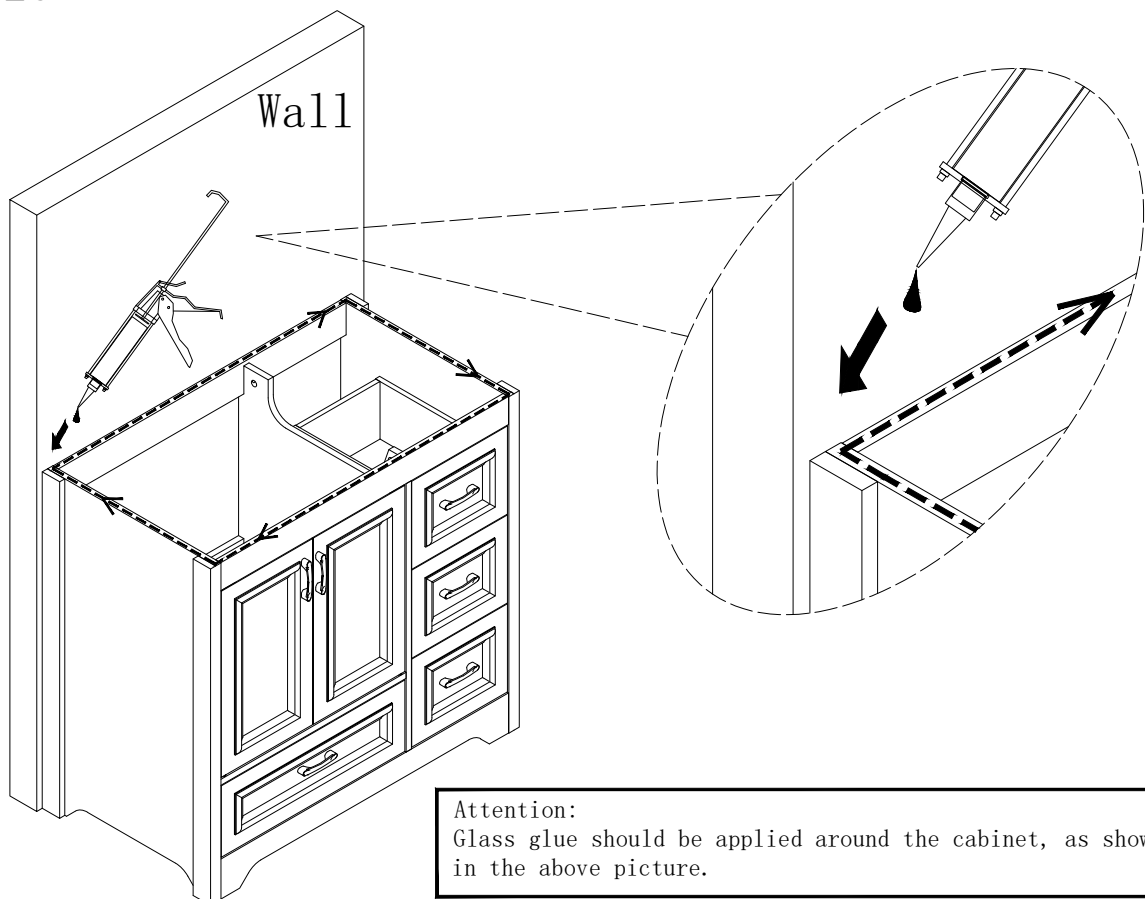
# Assembly Steps (EN) /Montageschritte (DE)

## Step 27



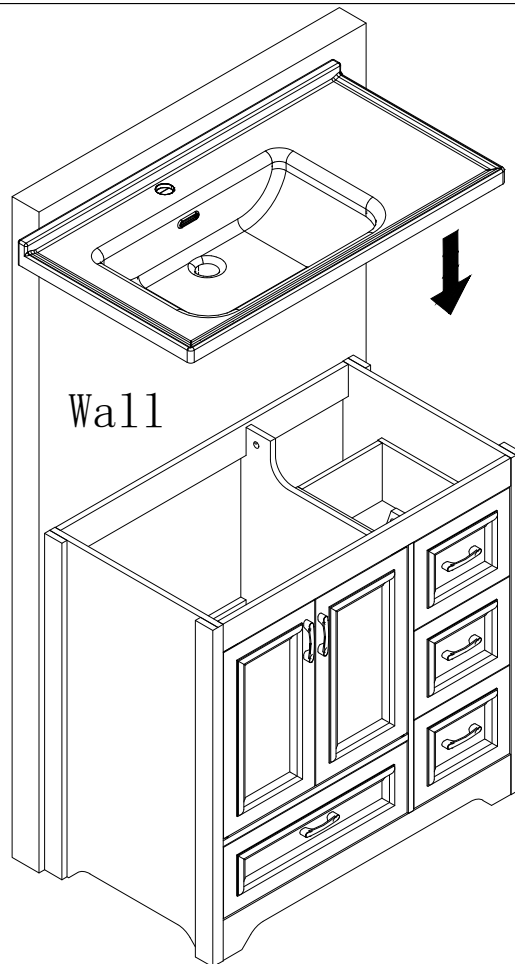
	Qx1pcs
	Rx1pcs

## Step 28



# Assembly Steps (EN) /Montageschritte (DE)

## Step 29



Nx1pcs

## Step 30

