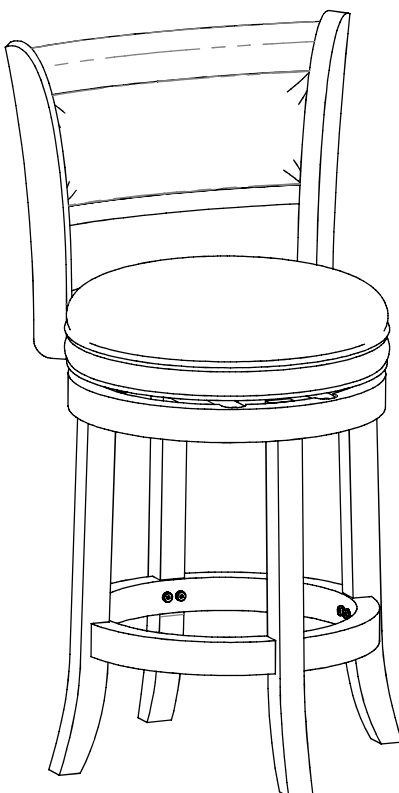
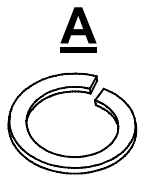


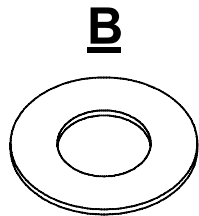
ASSEMBLY INSTRUCTIONS

SWIVEL STOOL

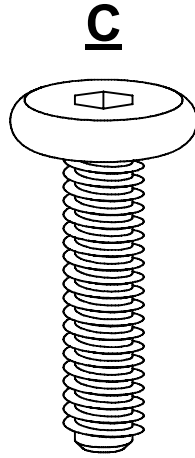




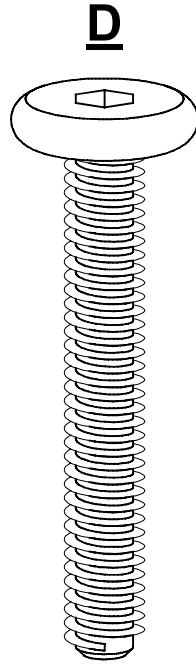
A
M6*10
22 PCS



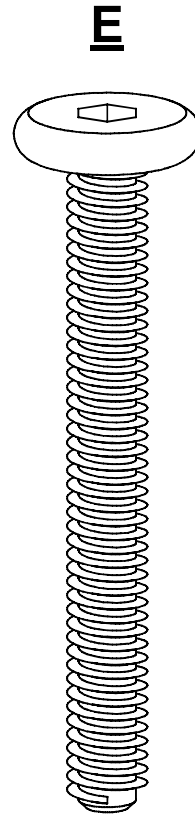
B
M6*16
26 PCS



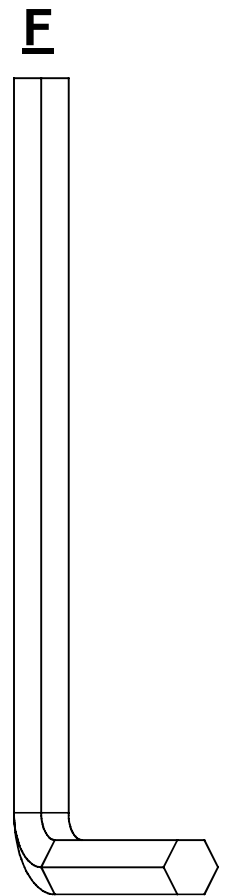
C
M6*25
4 PCS



D
M6*40
16 PCS

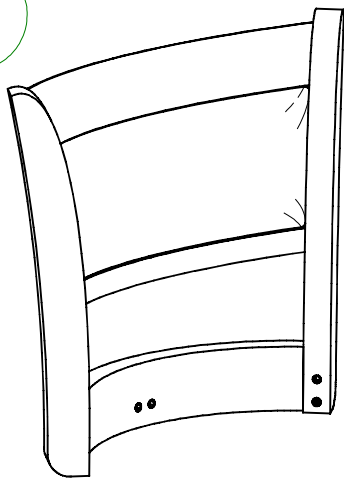


E
M6*50
6 PCS

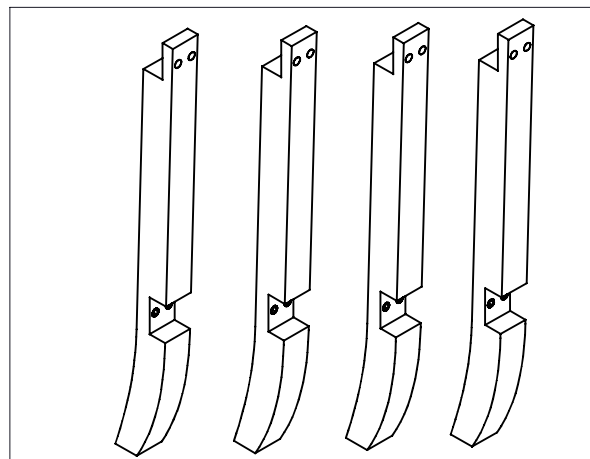


F
M4*110
1 PC

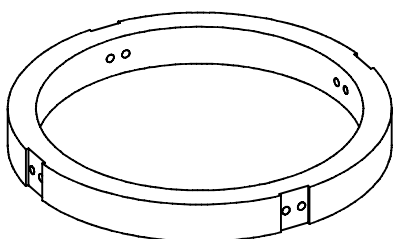
1



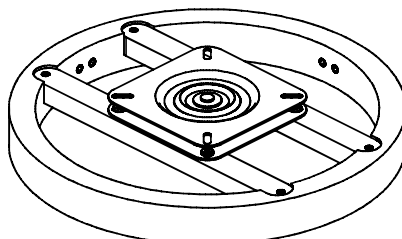
2



3



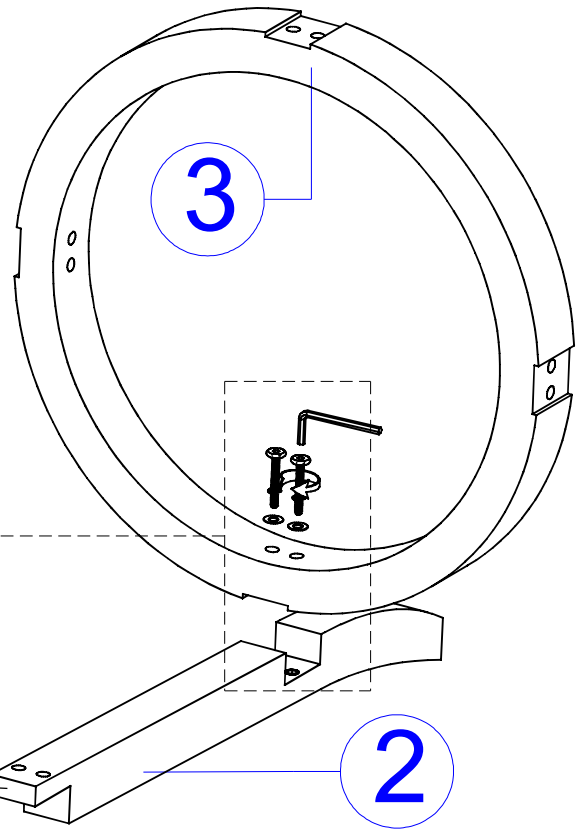
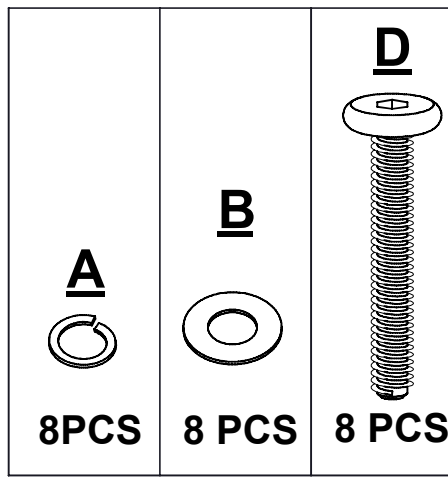
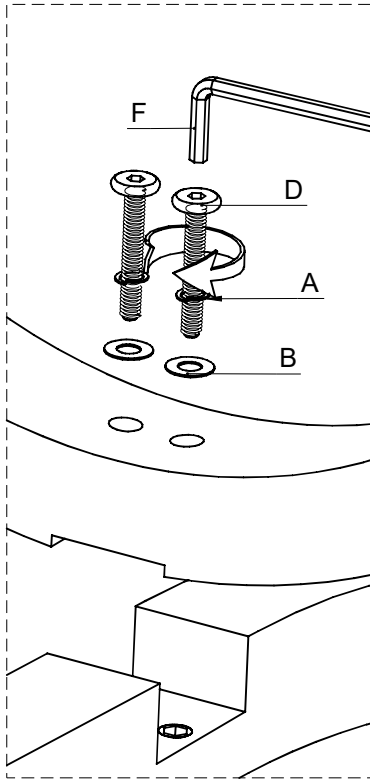
4



5



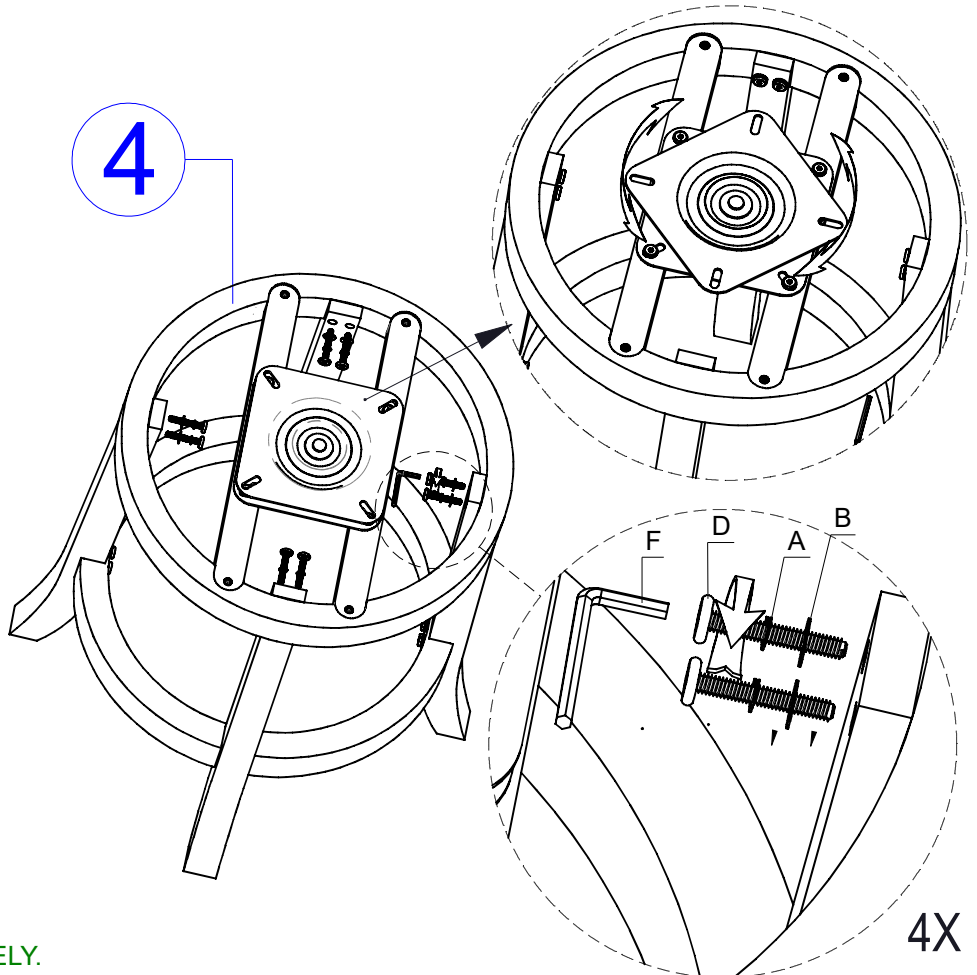
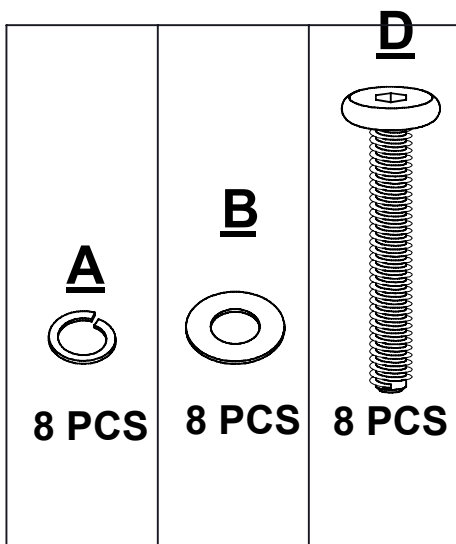
01



4X



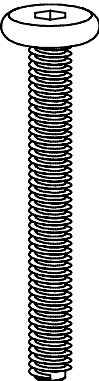
DO NOT TIGHTEN BOLT COMPLETELY.

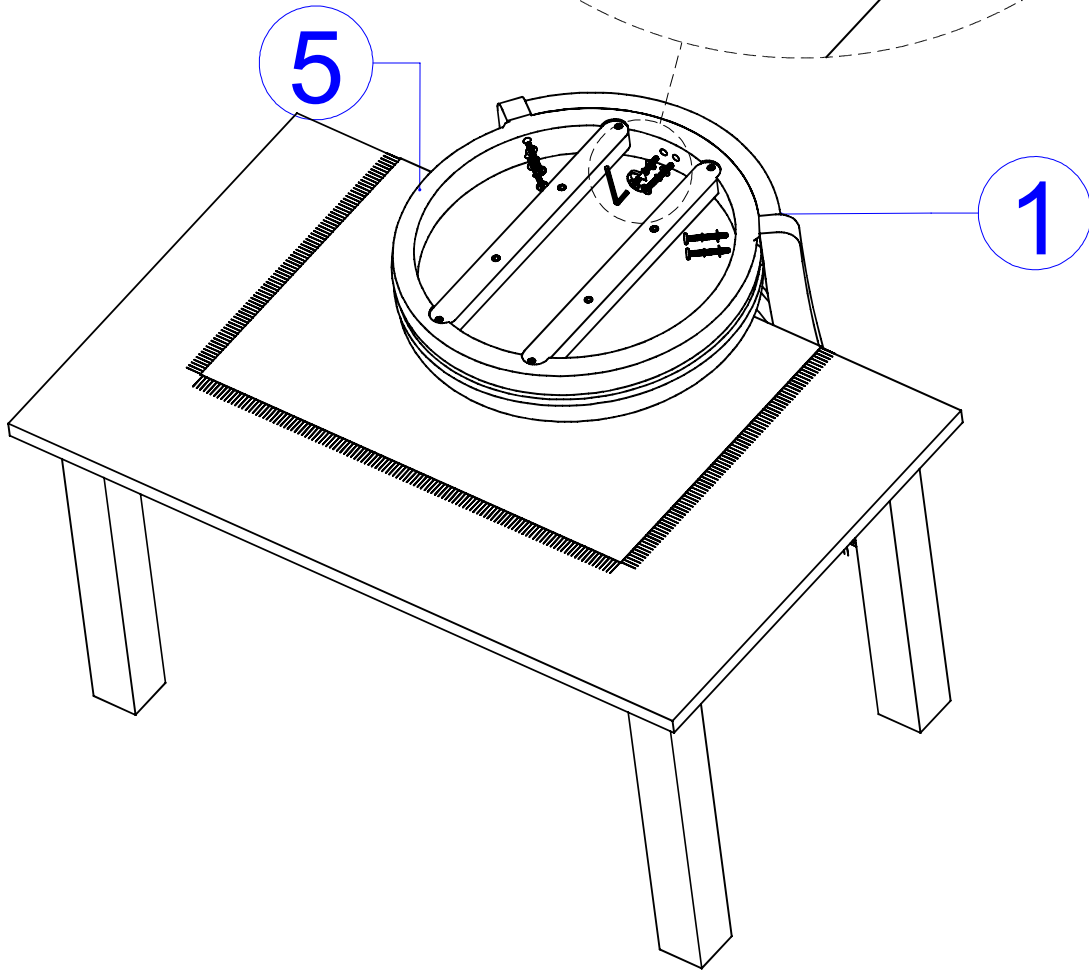
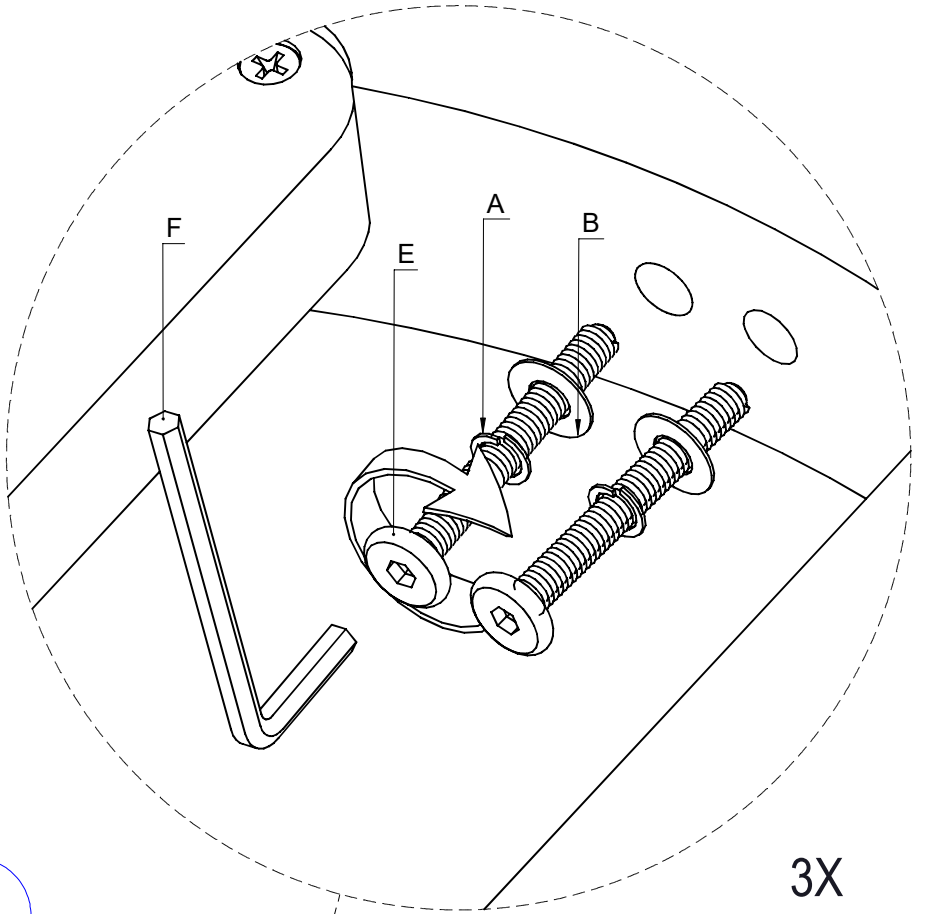
02



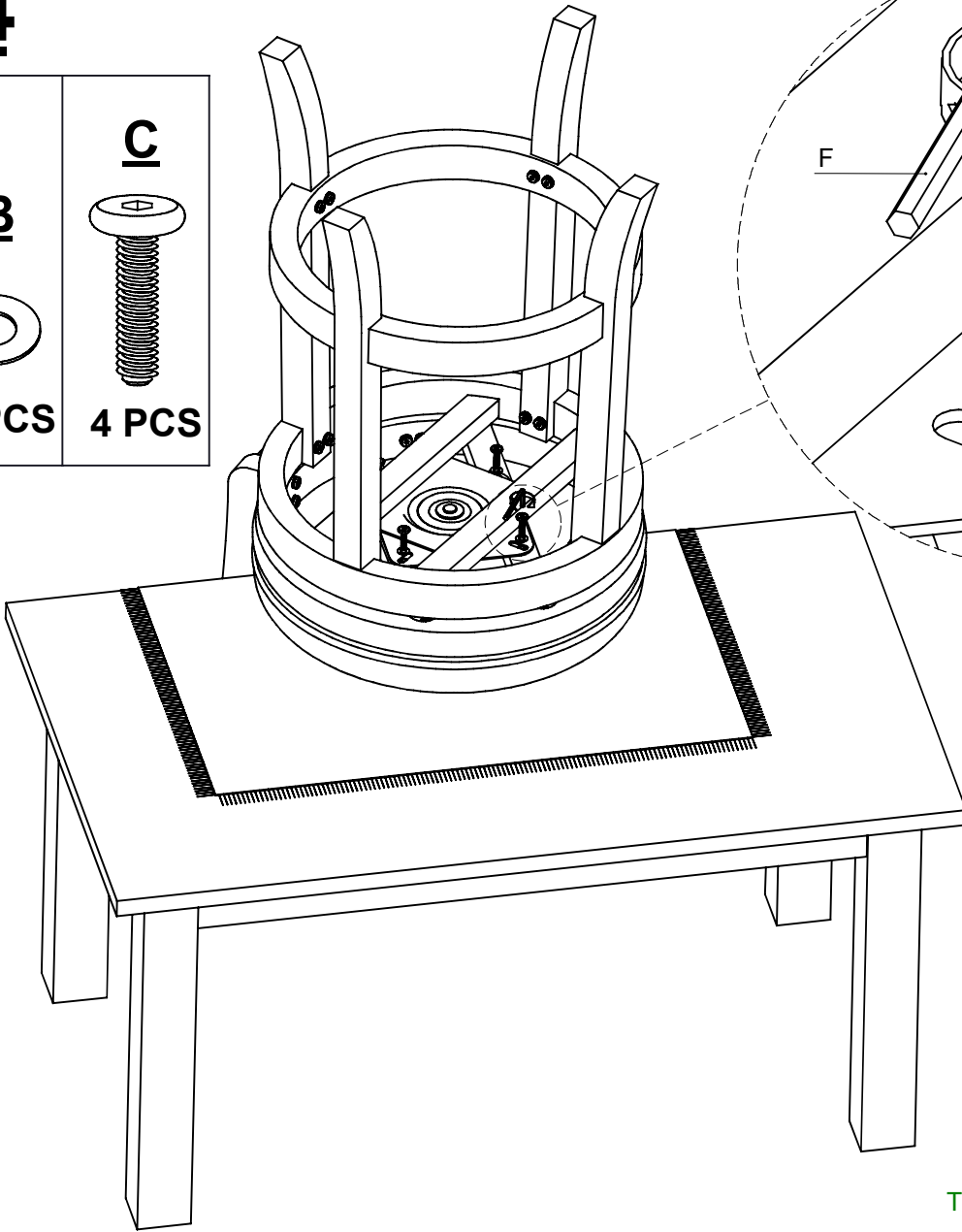
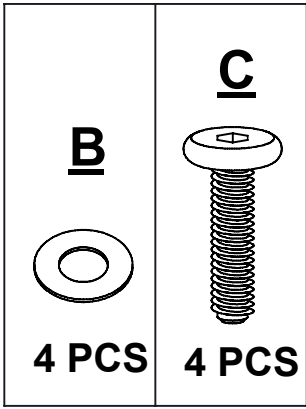
DO NOT TIGHTEN BOLT COMPLETELY.

03

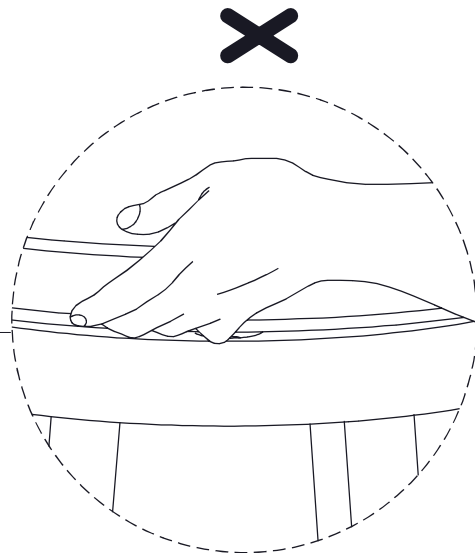
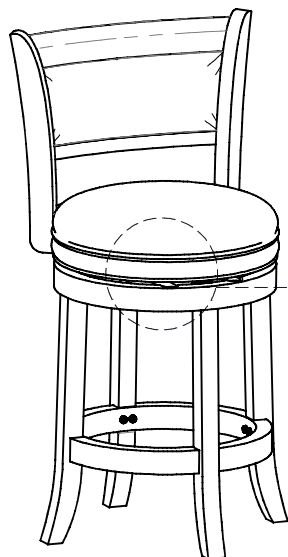
A  6 PCS	B  6 PCS	E  6 PCS
--	--	--



04



TIGHTEN BOLT COMPLETELY.



BE SURE TO CHECK ALL BOLTS ARE SECURELY TIGHTENED PRIOR USING THIS TOOL.