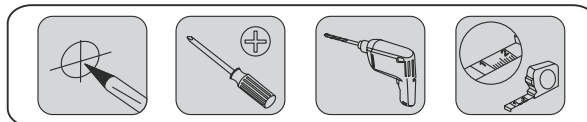


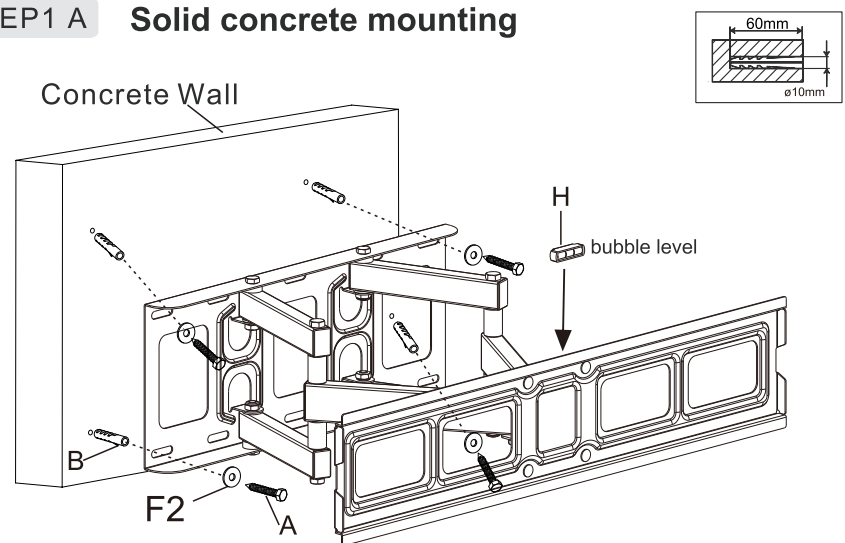
**WARNING :**

1. The wall installed TV bracket must be firmness and tightness , such as concrete wall , solid brick wall and solid wood wall . Do not install on hollow and floppy walls .
2. Tighten screw so that wall plate is firmly attached , but do not overtighten . Overtightening can damage the screws , greatly reducing their holding power .
3. Do not remove screw or loosen screw until it is no longer engaged with the mount . Doing so may cause the screen to fall .
4. For security option , tighten all the screws with security allen wrench .
5. Plat panel TV mounts should be installed by expert.

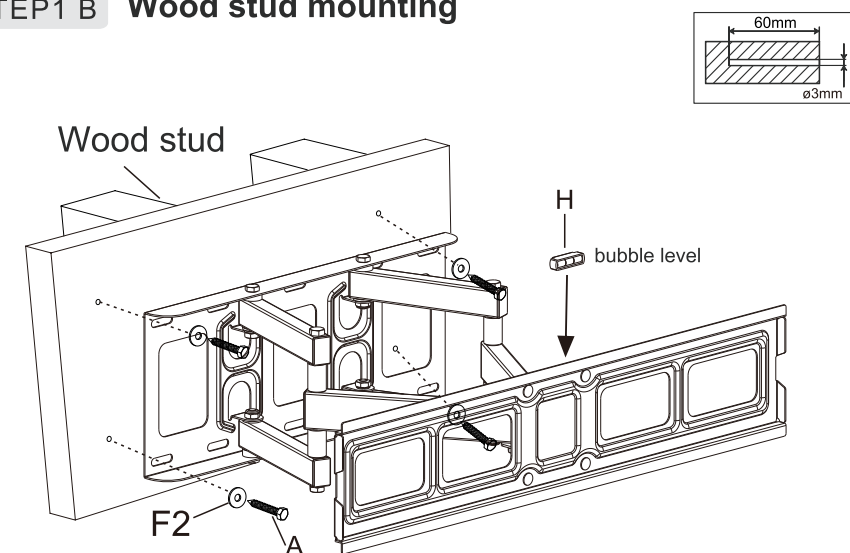
A	6x50mm	4PCS	F1	4x14x1mm	4PCS
B	10x50mm	4PCS	F2	6x18x1mm	8PCS
C	4x20mm	4PCS	G	8x18x10mm	4PCS
D	6x20mm	4PCS	H		1PCS
E	8x20mm	4PCS			



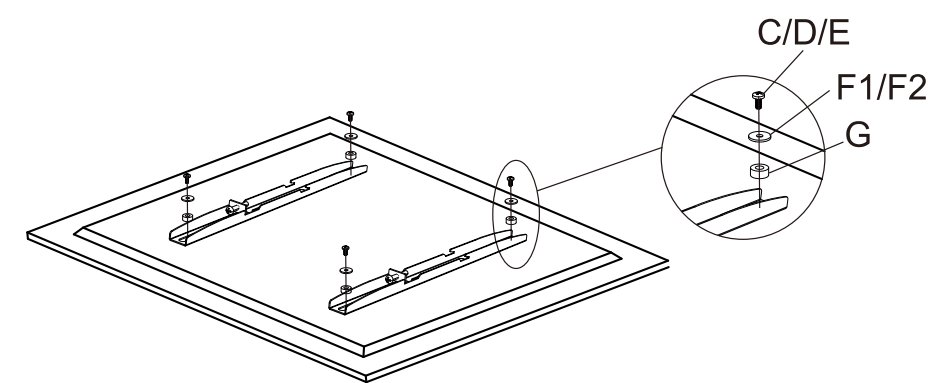
**STEP1 A Solid concrete mounting**



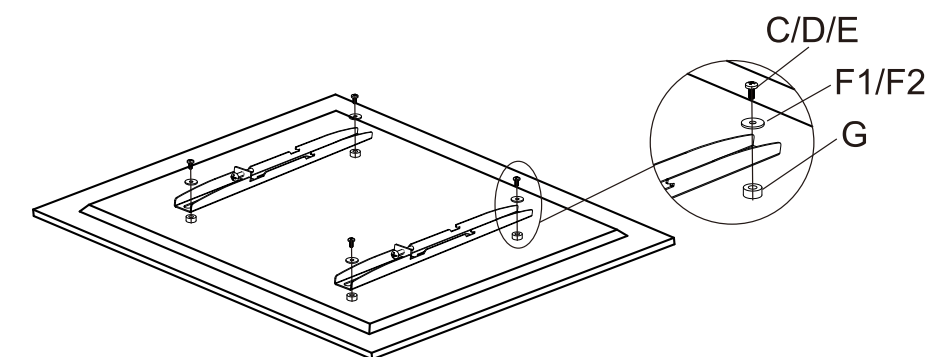
**STEP1 B Wood stud mounting**



**STEP2A Attaching brackets to screen**



**STEP2B For TVs with a curved back or obstruction**



**STEP3 Hang the TV onto the wall plate**

