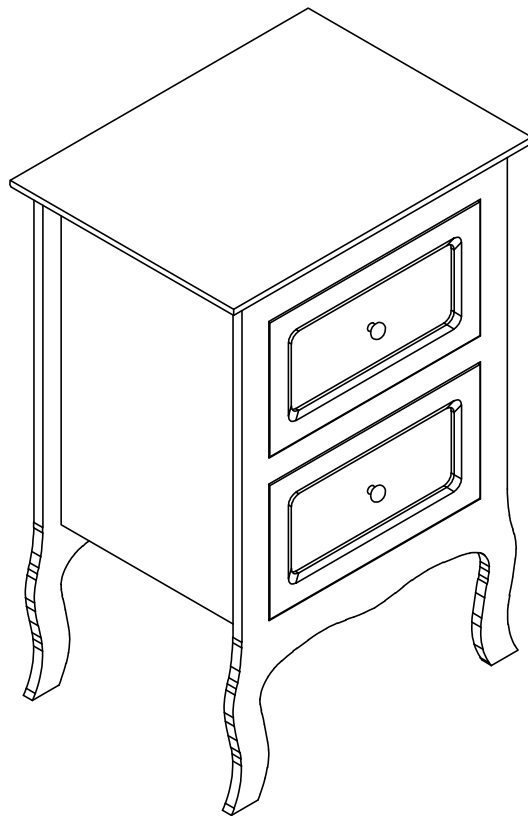
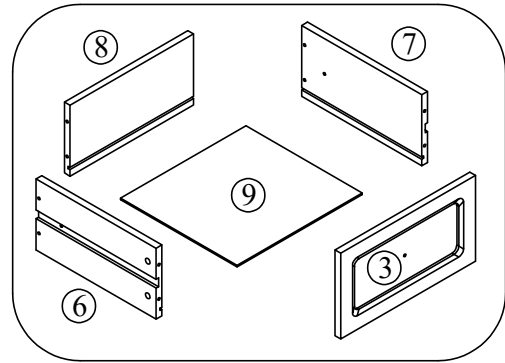
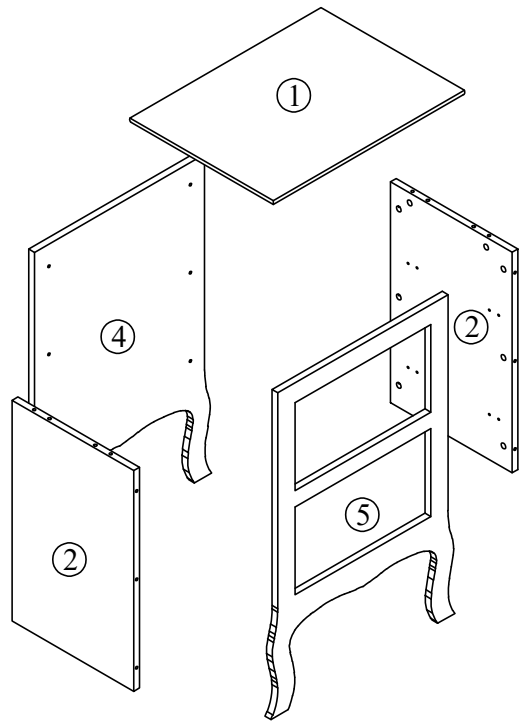


Assembly Instruction



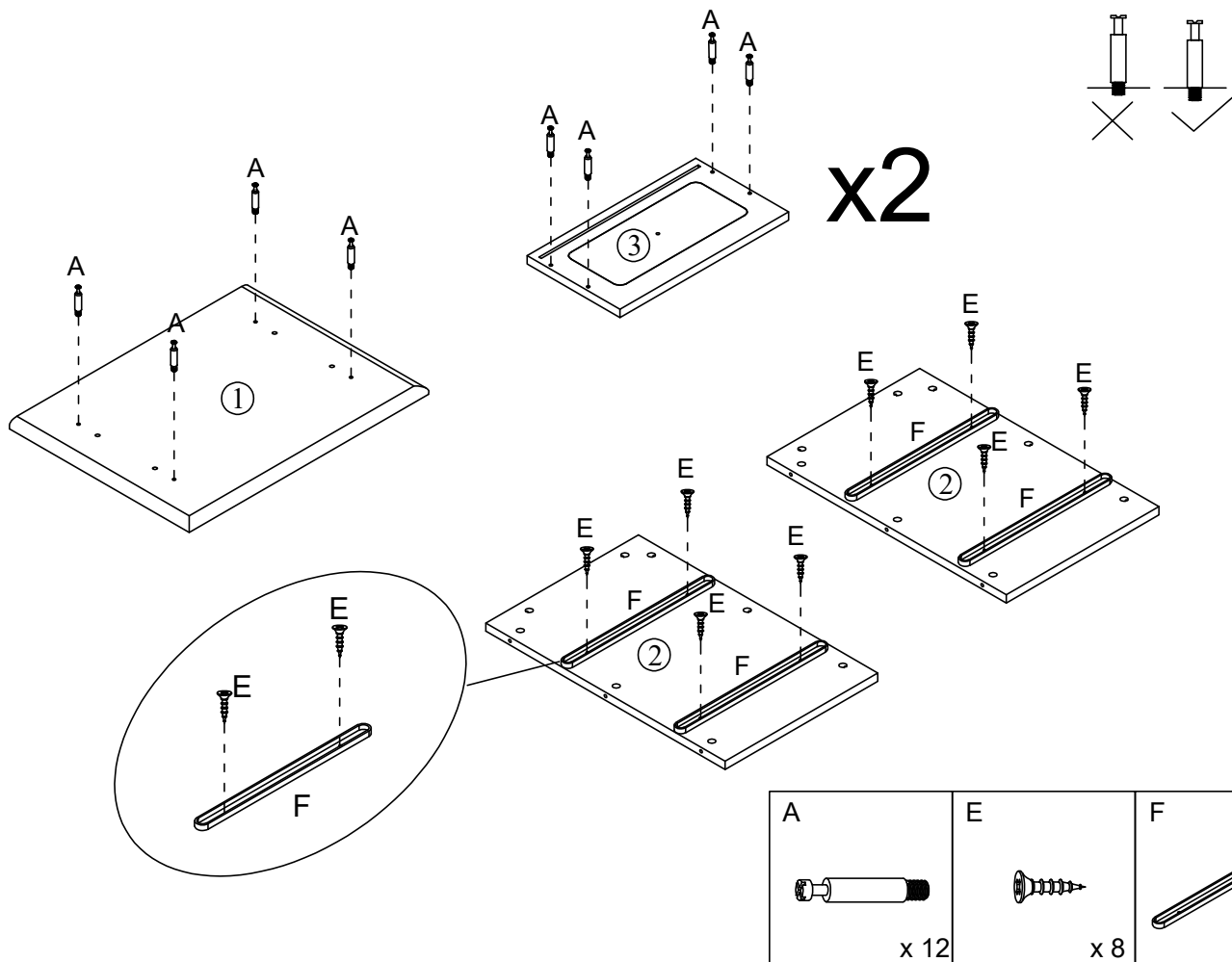


x2

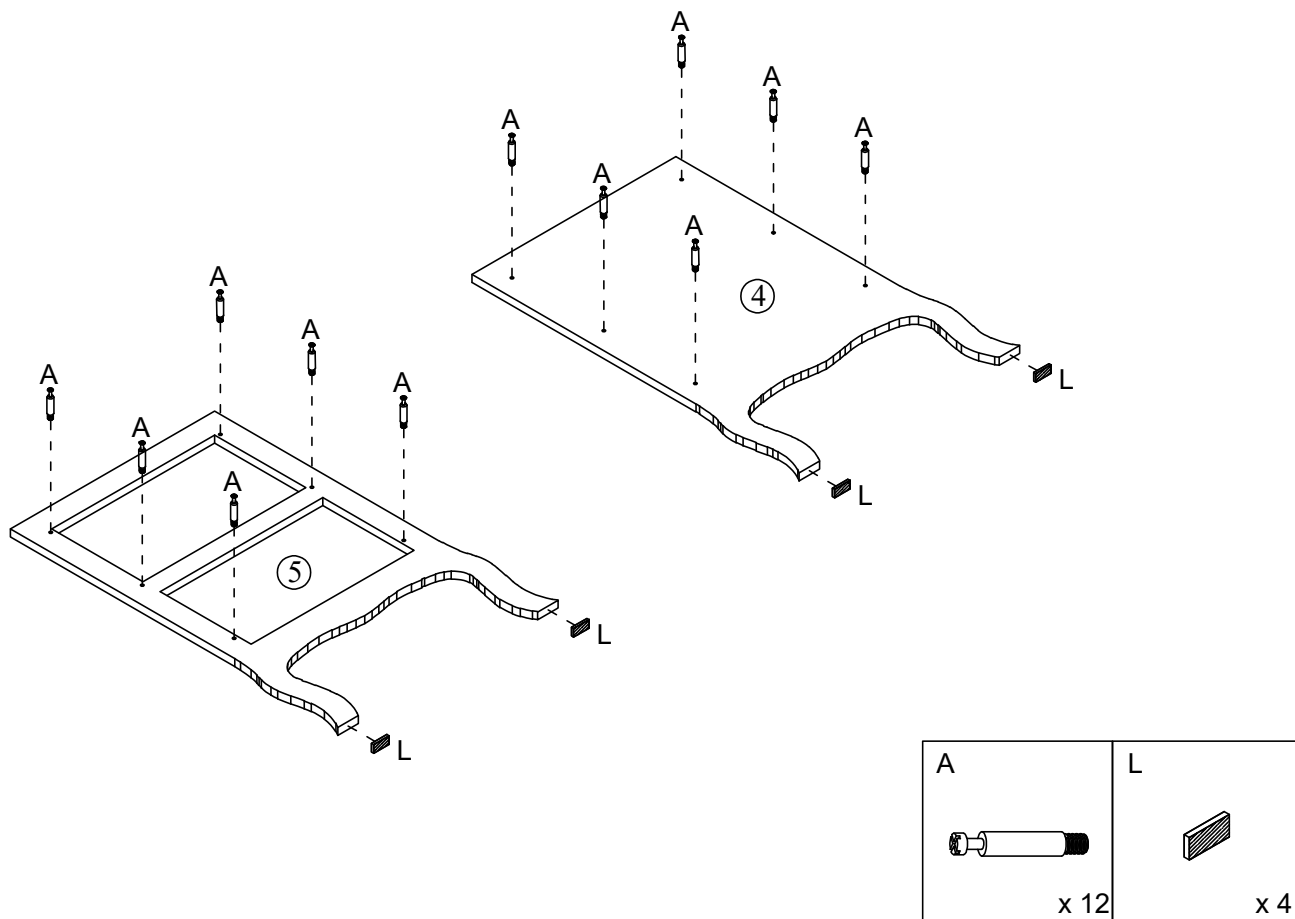
1 400x300x15 x1	2 398x255x12 x2	3 280x155x15 x2	4 585x385x15 x1												
5 585x385x15 x1	6 240x129x12 x2	7 240x129x12 x2	8 255x129x12 x2												
9 263x236 x2	<table border="1"> <tr> <td>A</td> <td>x 24+1</td> <td>B</td> <td>x 24+1</td> </tr> <tr> <td></td> <td></td> <td></td> <td></td> </tr> <tr> <td>Φ6X35mm</td> <td></td> <td>Φ15X10mm</td> <td></td> </tr> </table>			A	x 24+1	B	x 24+1					Φ6X35mm		Φ15X10mm	
A	x 24+1	B	x 24+1												
Φ6X35mm		Φ15X10mm													

C Φ6X30mm x 4+1	D Φ4X35mm x 8+1	E Φ3X12mm x 8+1	F 255x14x7 x 4	G x 2
H Φ4X10mm x 2	I Φ11x13mm x 4	J J-1 J-2 J-3 Φ4X12mm x 1	K K-1 K-2 K-3 Φ4X45mm x 1	L 25X12X3mm x 4

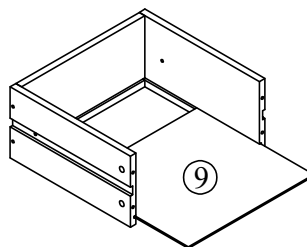
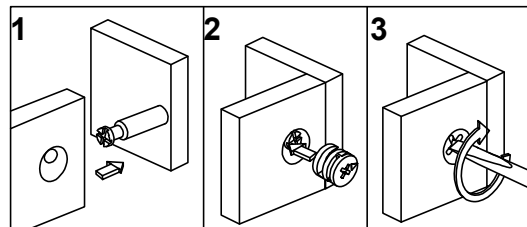
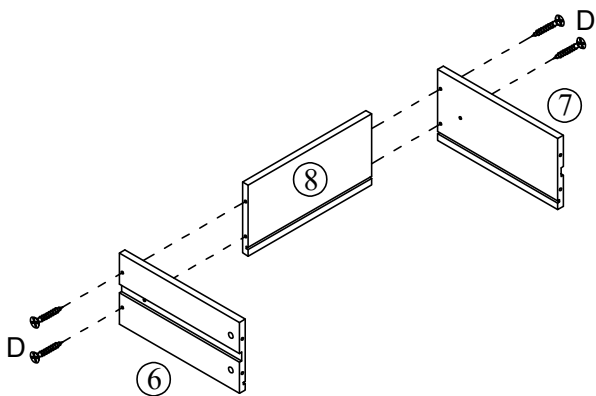
1



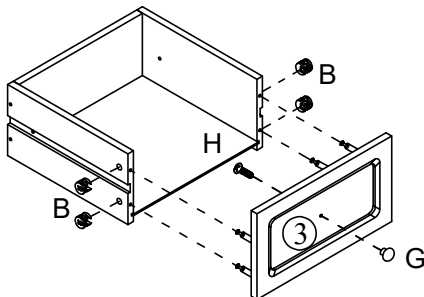
2


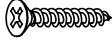




3

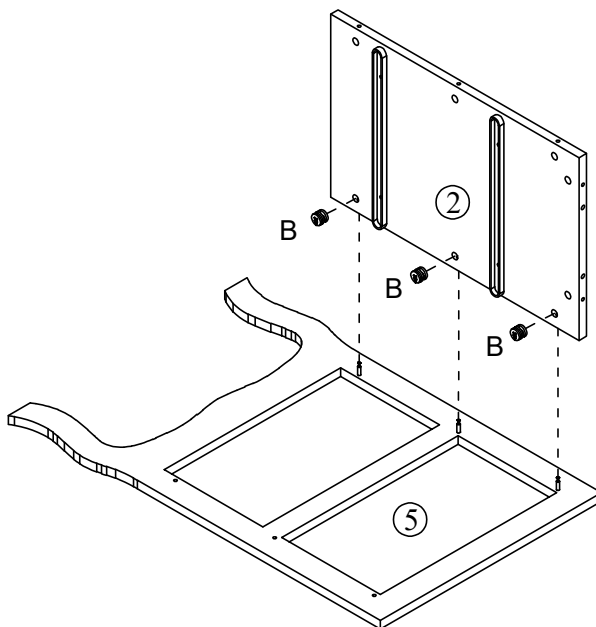



x2



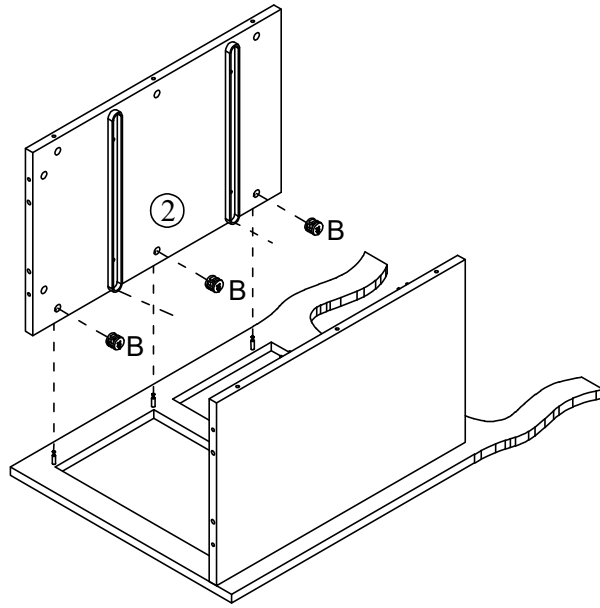
<p>B</p>  <p>x 8</p>	<p>D</p>  <p>x 8</p>	<p>G</p>  <p>x 2</p>	<p>H</p>  <p>x 2</p>
--------------------------------------------------------------------------------------------------------	-----------------------------------------------------------------------------------------------------------	-----------------------------------------------------------------------------------------------------------	-----------------------------------------------------------------------------------------------------------

4



<p>B</p>  <p>x 3</p>

5

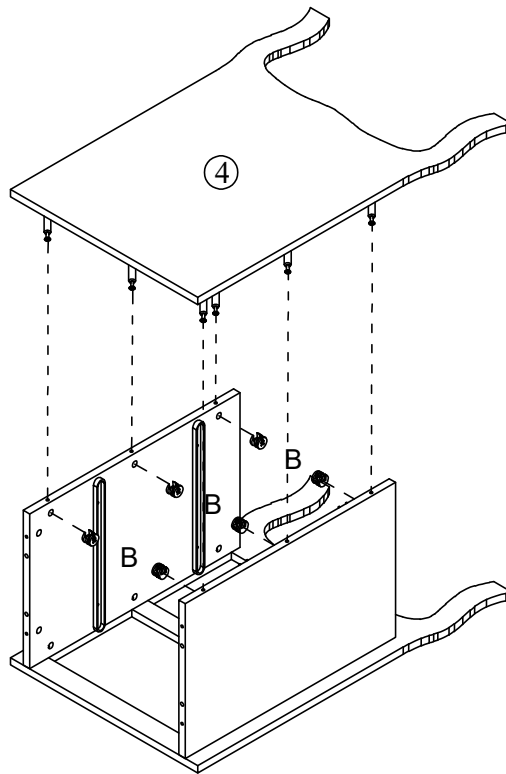


B



x 3

6

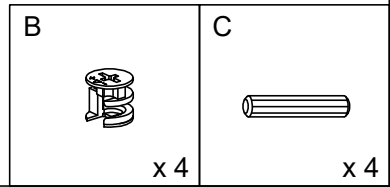
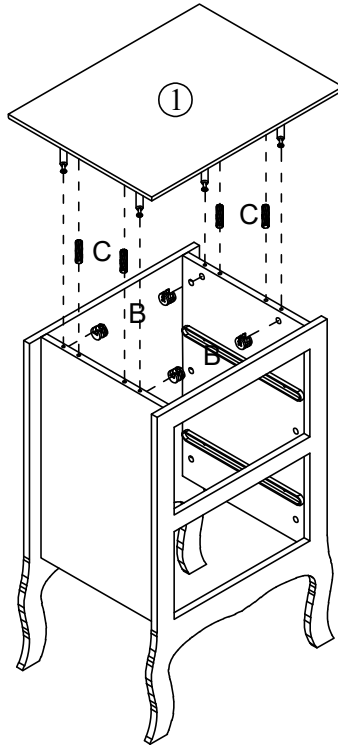


B

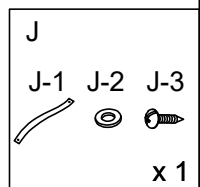
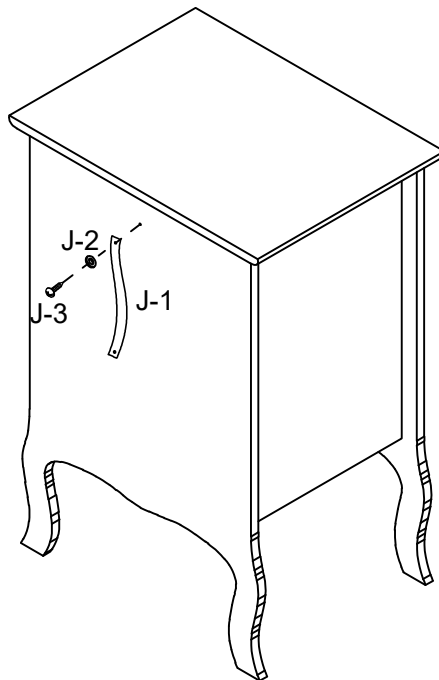


x 6

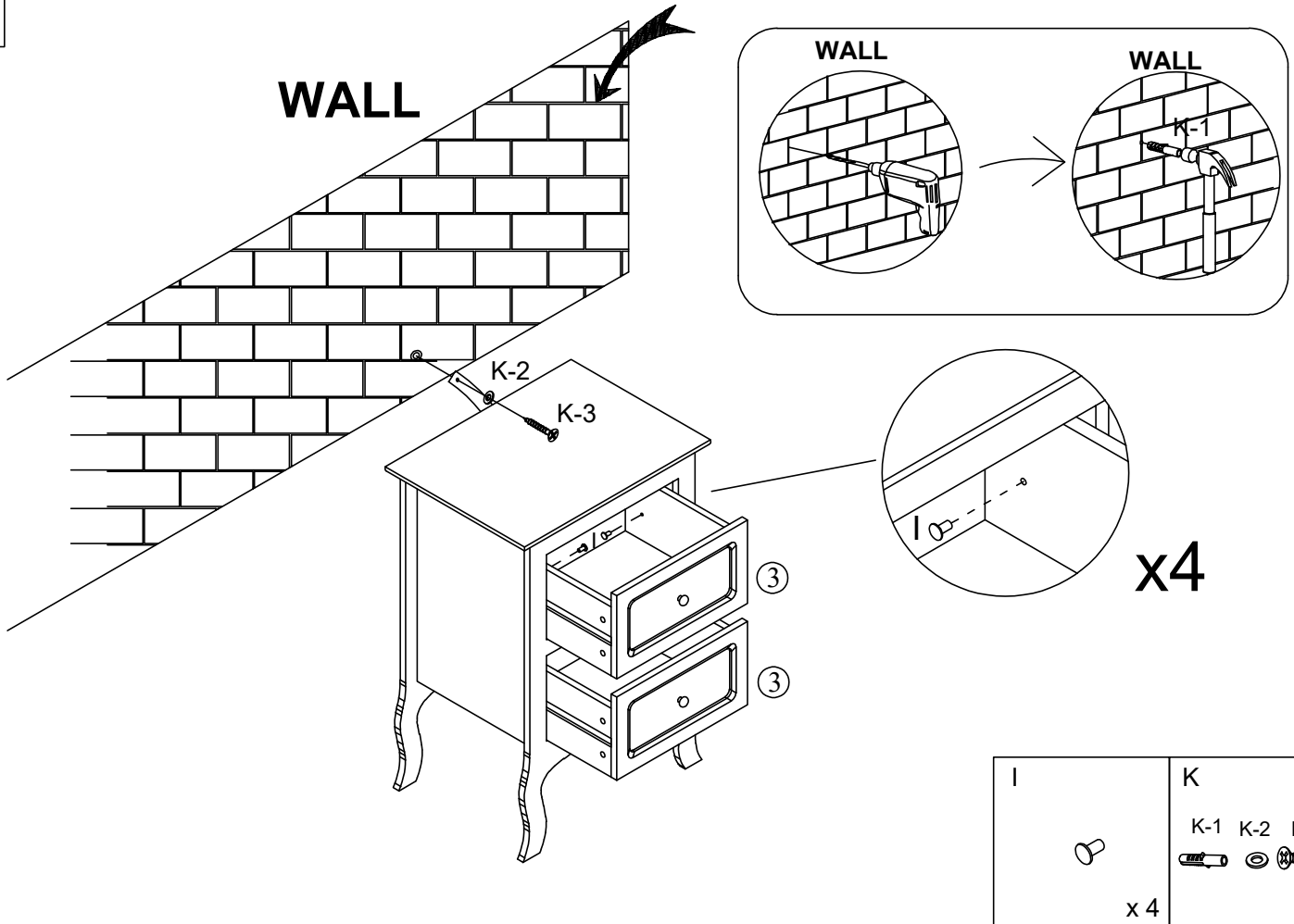
7



8



9



10

