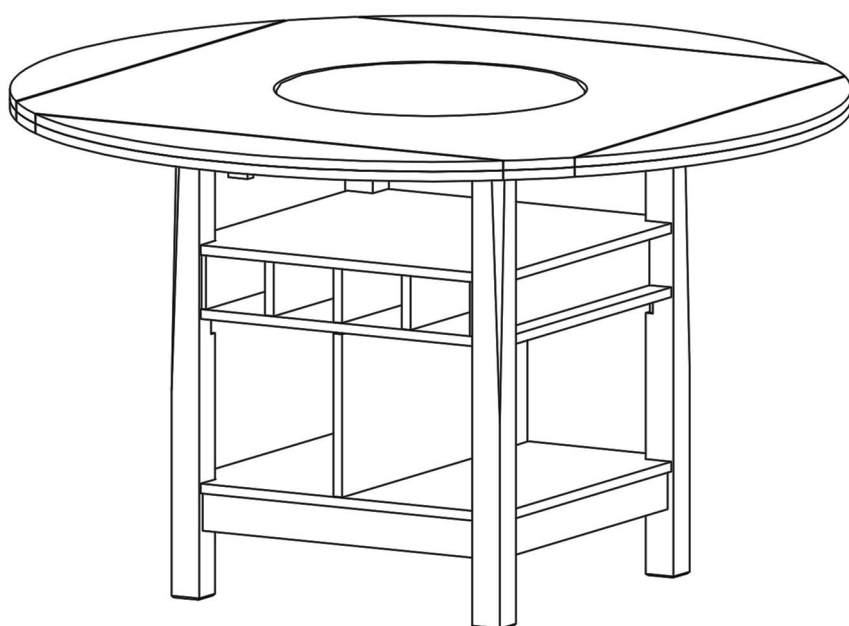
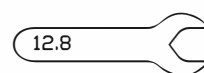


ASSEMBLY INSTRUCTIONS



TOOLS REQUIRED



Spanner

(Included)



**Philips
Screwdriver**

(Not Included)



**2 - People
Recommended**

ASSEMBLY RATING



EASY → DIFFICULT

The Assembly Rating is a 5-point system showing the level of effort needed to assemble a specific product.



CHECK BEFORE STARTING

Are you missing anything?

Double-check all parts, hardware and accessories listed on Page 6 are accounted for.

Check out our Quick Tips!

We recommend reviewing the pre-assembly handouts. Even experts need a refresher now and then!

Should we send any replacements?

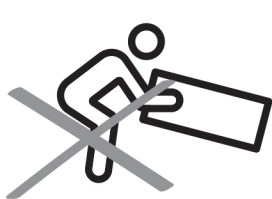
Are there any irregularities or flaws in the parts? We can send replacements!

Prep Time!

Please review the assembly instructions and all diagrams prior to assembling. Arrange parts as recommended on Page 7 and group identical hardware together to make assembling easier.

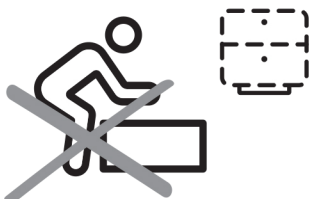
PRE ASSEMBLY INTRODUCTION

We understand building ready-to-assemble furniture can be a challenging experience for some. To help avoid confusion, we have provided some helpful tips that may speed up the process.



Teamwork

ALWAYS have at least two people to help with transporting and assembling the product to avoid potential injury and/or damage.



Suitable Location

Assembling near the area of the intended location is highly recommended.



Sufficient Space

Make sure you have enough space to move around during the assembly.



Avoid Scratches

Use cardboard, blankets or a carpeted area while assembling furniture to prevent scratches.



Flat Surface

Make sure the furniture rests on a flat and level surface with each leg evenly touching the floor.

ASSEMBLY AND CARE ADVICE



FAILURE TO FOLLOW THE GUIDELINES BELOW MAY RESULT IN INJURY AND/OR PROPERTY DAMAGE.



Position each part correctly and insert screws or bolts into their respective holes.



Turn clockwise to tighten and only tighten when step is completed or when instructed to do so.



Use the appropriate hand tools or power tools for assembly. Select steps, such as tightening screws and/or bolts, may require hand tools to avoid causing damage during assembly.



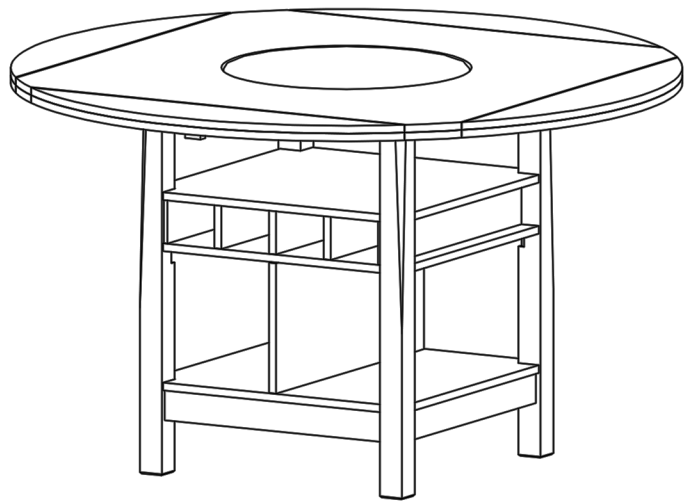
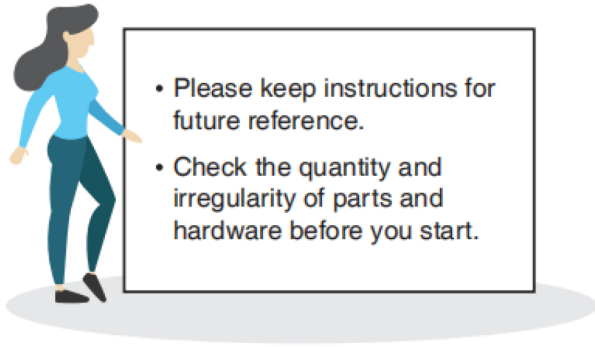
Save the instructions and store any supplied tools for later maintenance.




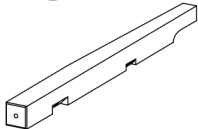
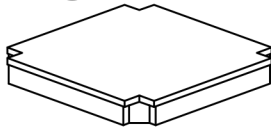
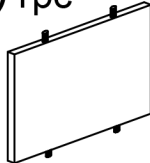
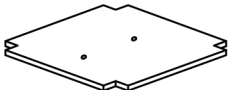
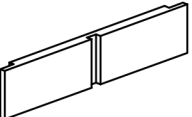
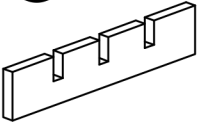
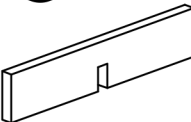
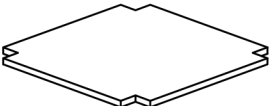

After two weeks, check and tighten any loose hardware and repeat again every six months thereafter.

IT IS THE USER'S RESPONSIBILITY TO MAINTAIN THE FURNITURE. THE HARDWARE MAY LOOSEN OVER TIME AND MAY CAUSE THE FURNITURE TO BE WOBBLY AND UNABLE TO SUPPORT ITS INTENDED WEIGHT CAPACITY. THIS MAY LEAD TO COLLAPSE AND MAY CAUSE SERIOUS INJURY.




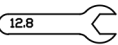


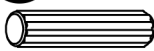
ROUND COUNTER HEIGHT TABLE



PARTS

#1 1pc  Table Top	#2 4pcs  Table Leg	#3 1pc  Table Base	#4 1pc  Partition Panel	#5 1pc  Wine Rack Bottom Panel
#6 2pcs  Wine Rack Side Panel	#7 1pc  Wine Rack Center Panel	#8 3pcs  Wine Rack Divider	#9 1pc  Shelf Panel	#10 1pc  Lazy Susan

HARDWARE

#A 8pcs  Hex Comb 5/16" x 2 1/2"	#B 8pcs  Lock Washer 5/16"	#C 8pcs  Flat Washer 5/16"	#D 1pc  Spanner
#E 8pcs  Csk Screw M3.5 x 16mm	#F 4pcs  L - Bracket	#G 4pcs  Wood Dowel Ø8 x 30mm	

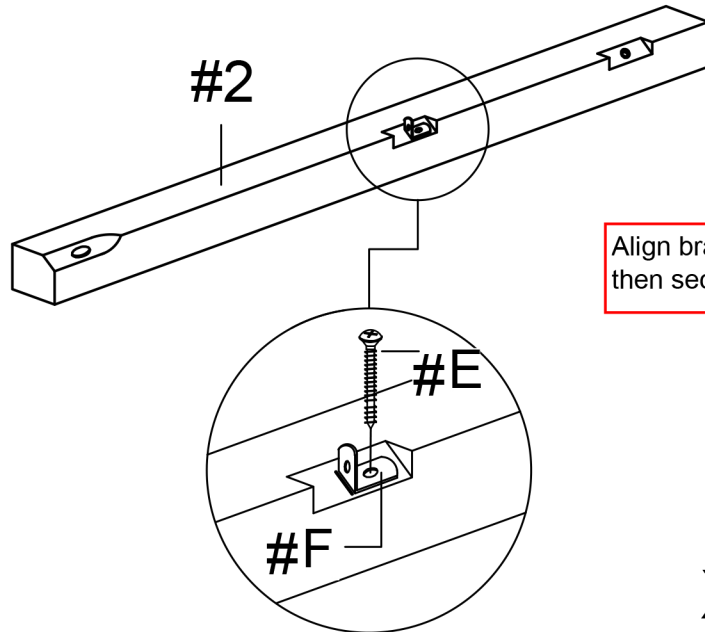
ASSEMBLY INSTRUCTIONS

1

Part (#2) x4pcs

Hardware (#E) x4pcs

Hardware (#F) x4pcs



Align bracket (#F) to the legs (#2), then secure by using screws (#E).

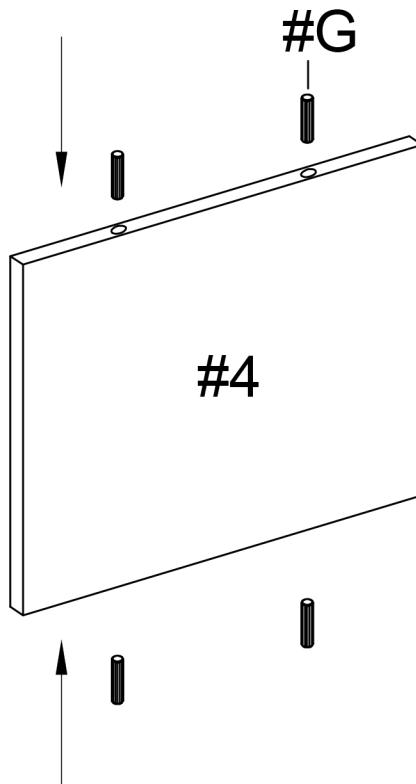
x4

Follow marking.

2

Part (#4) x1pc

Hardware (#G) x4pcs

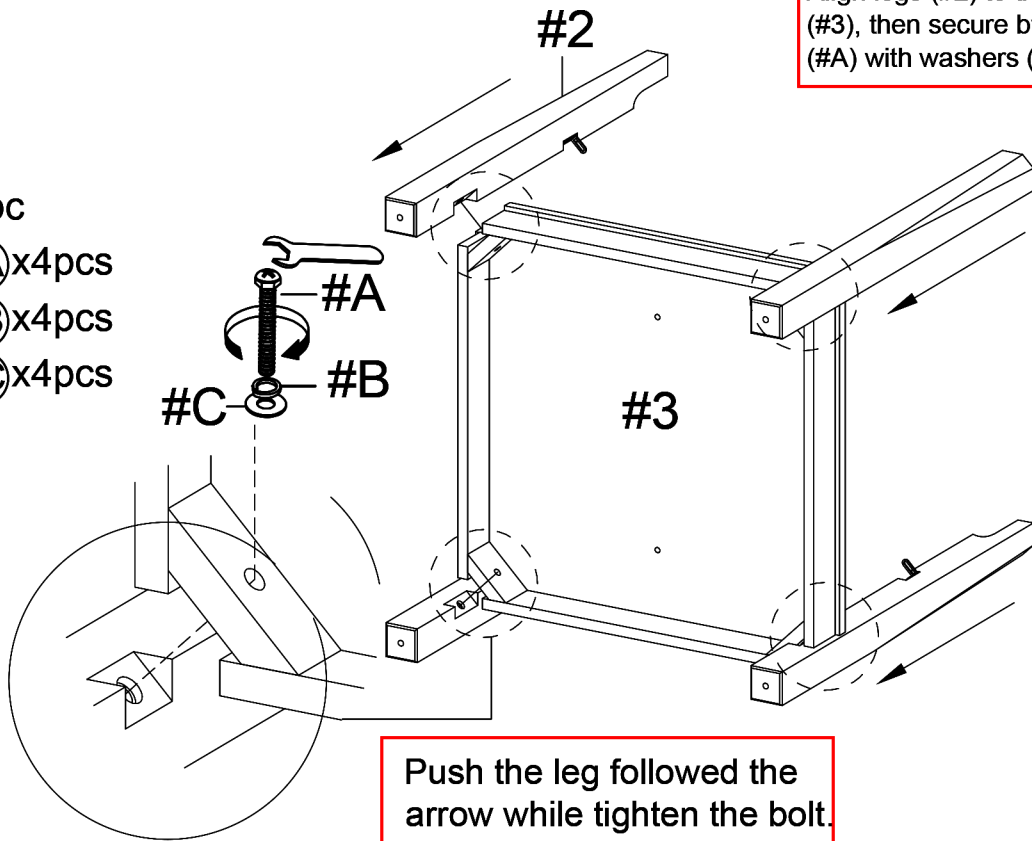


Attach dowels (#G) to partition panel (#4).

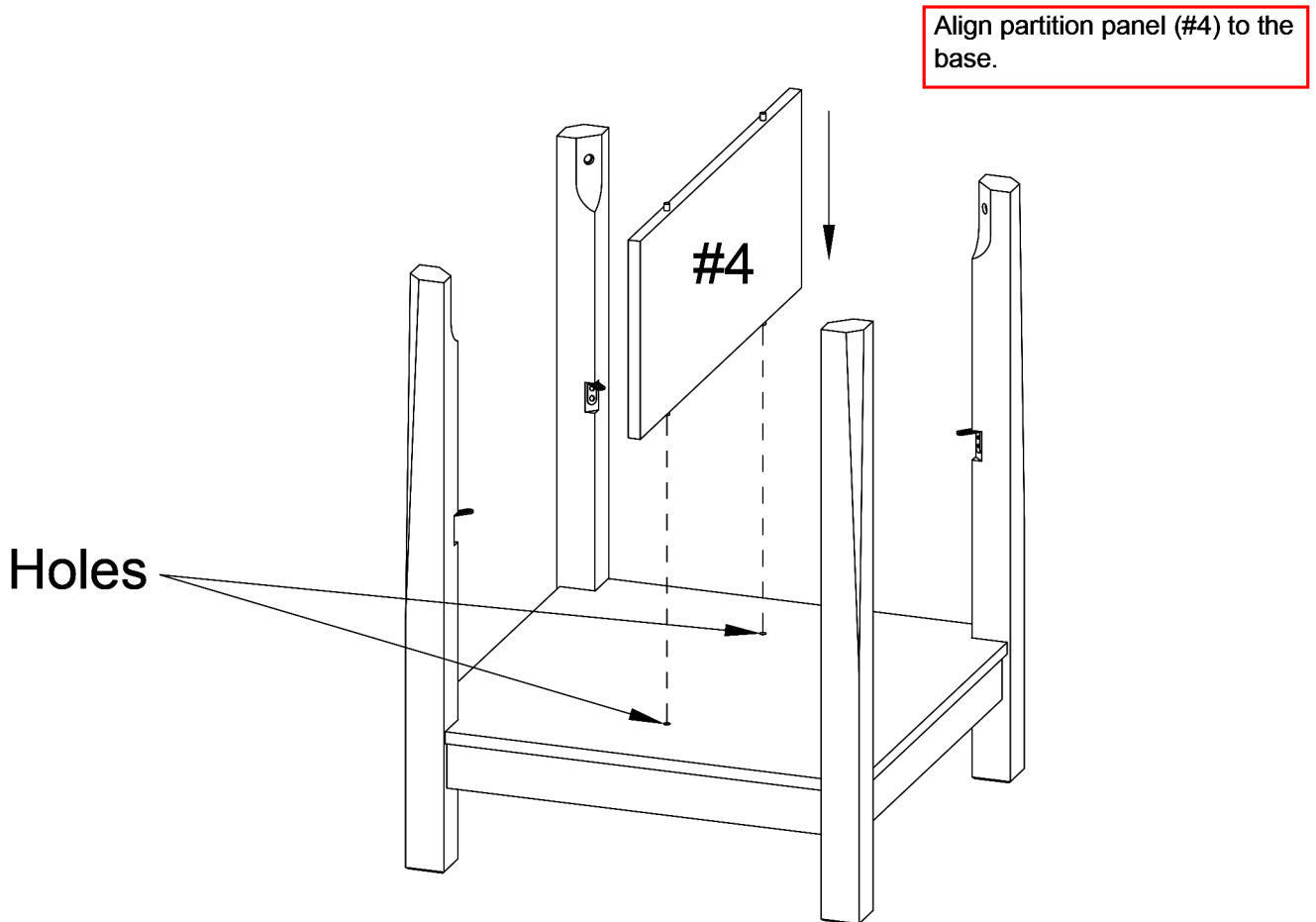
ASSEMBLY INSTRUCTIONS

3

- Part (#3) x1pc
- Hardware (#A) x4pcs
- Hardware (#B) x4pcs
- Hardware (#C) x4pcs



4

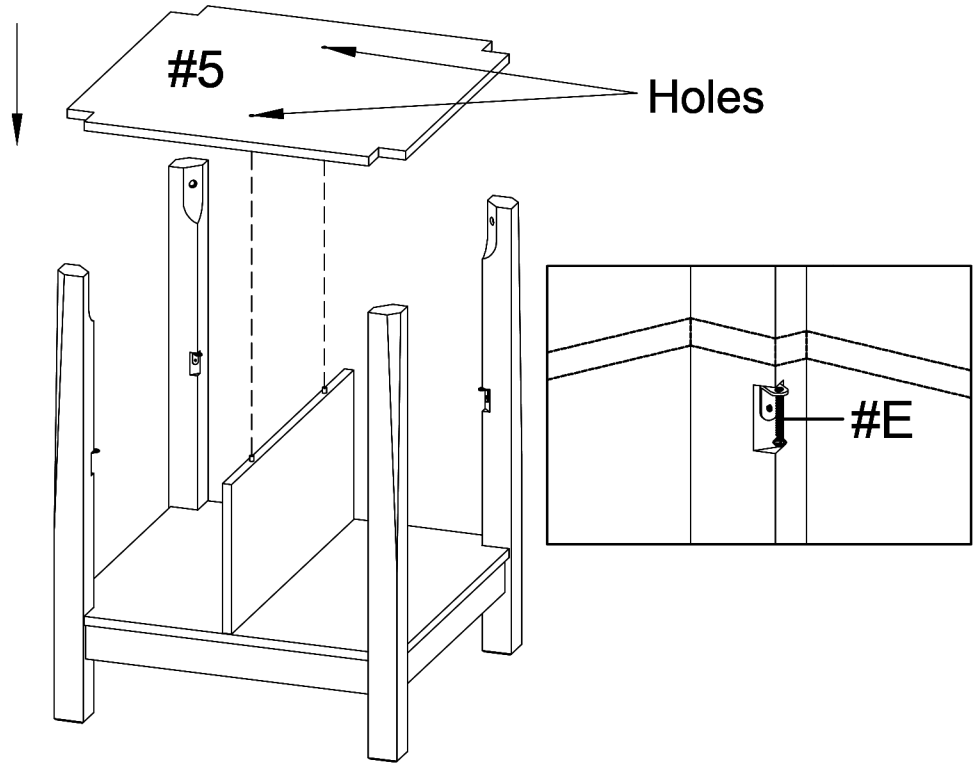


ASSEMBLY INSTRUCTIONS

Align wine rack bottom panel (#5) to the unit.

5

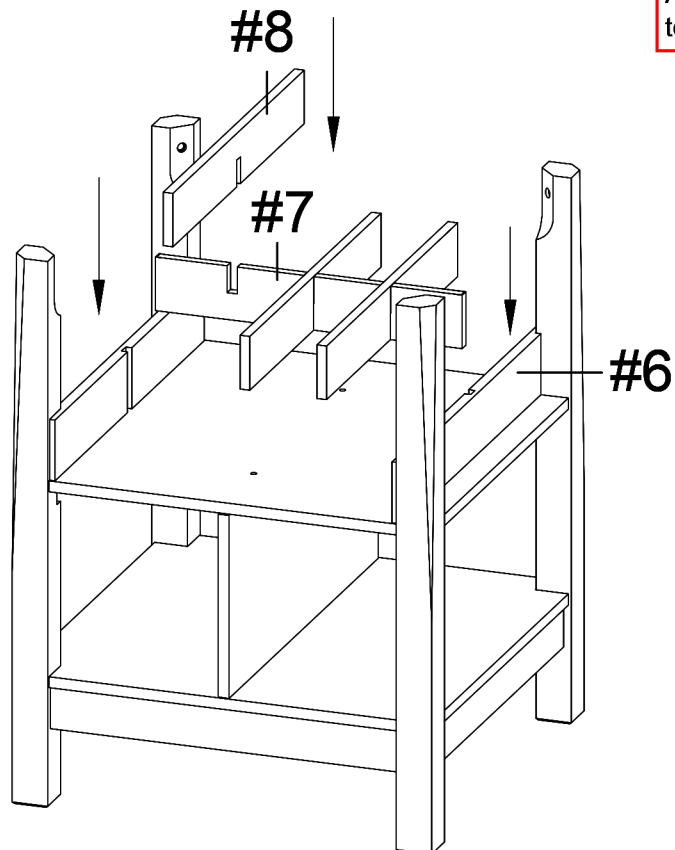
Part #5 x1pc
Hardware #E x4pcs



6

Part #6 x2pcs
Part #7 x1pc
Part #8 x3pcs

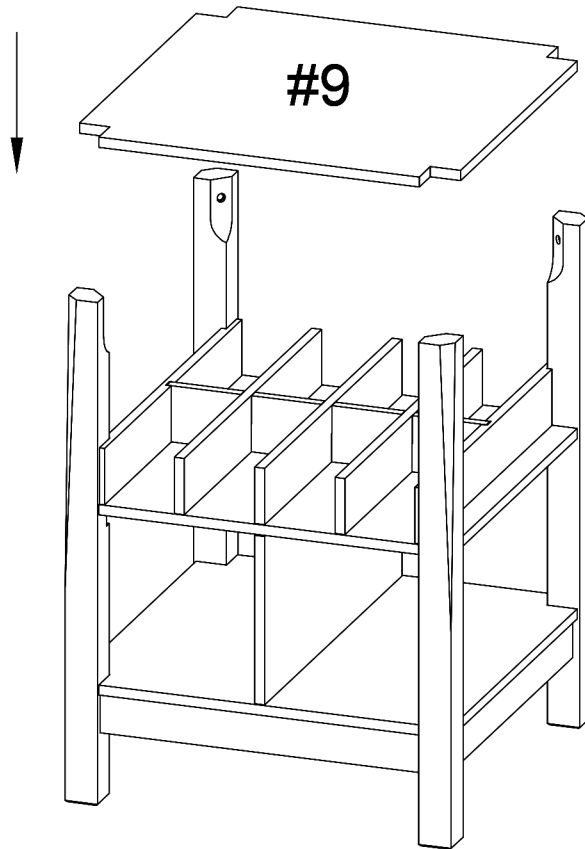
Align wine rack panels (#6,7,8) together to the unit.



ASSEMBLY INSTRUCTIONS

7

Part #9 x1pc



Align shelf (#9) to unit.

8

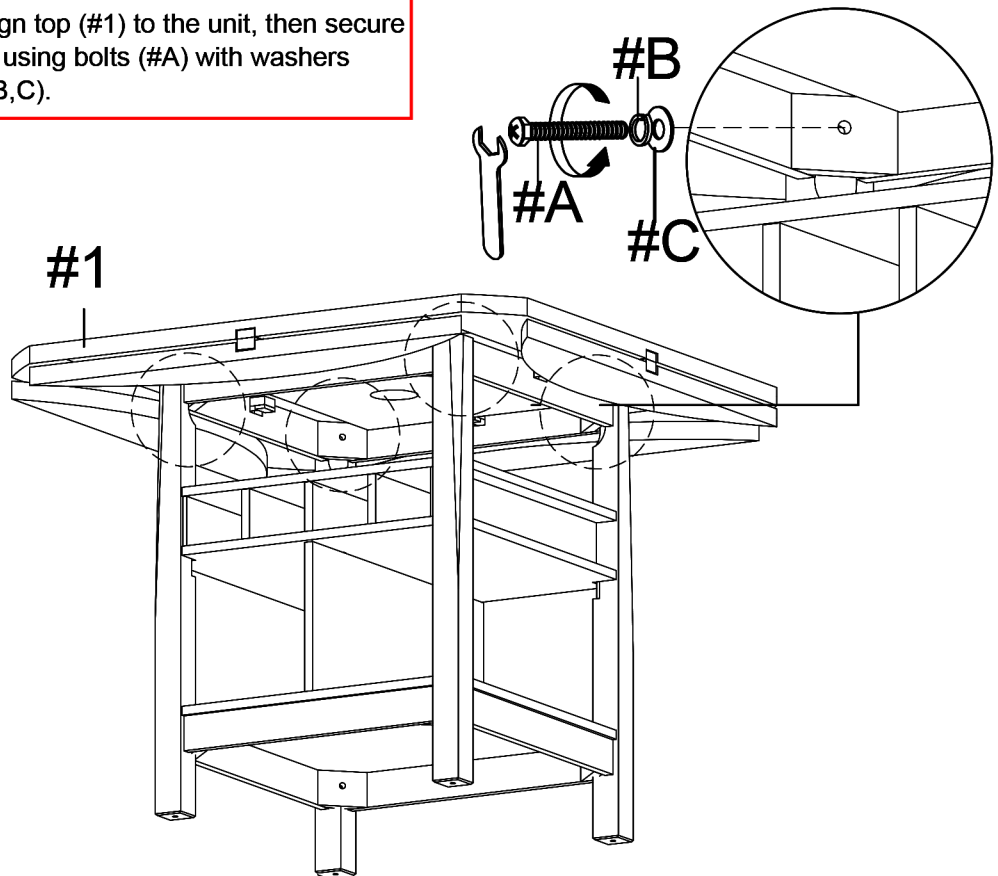
Part #1 x1pc

Hardware #A x4pcs

Hardware #B x4pcs

Hardware #C x4pcs

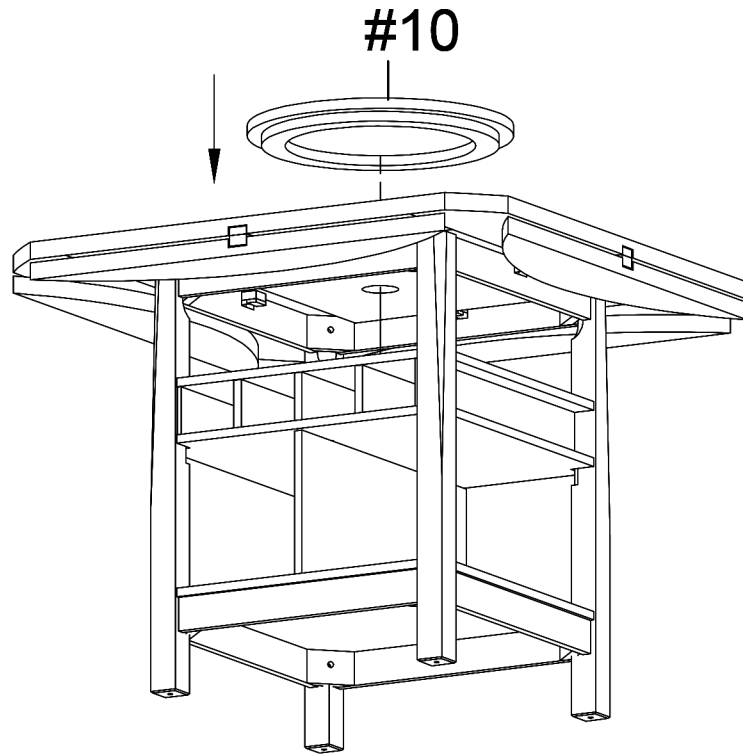
Align top (#1) to the unit, then secure by using bolts (#A) with washers (#B,C).



ASSEMBLY INSTRUCTIONS

9

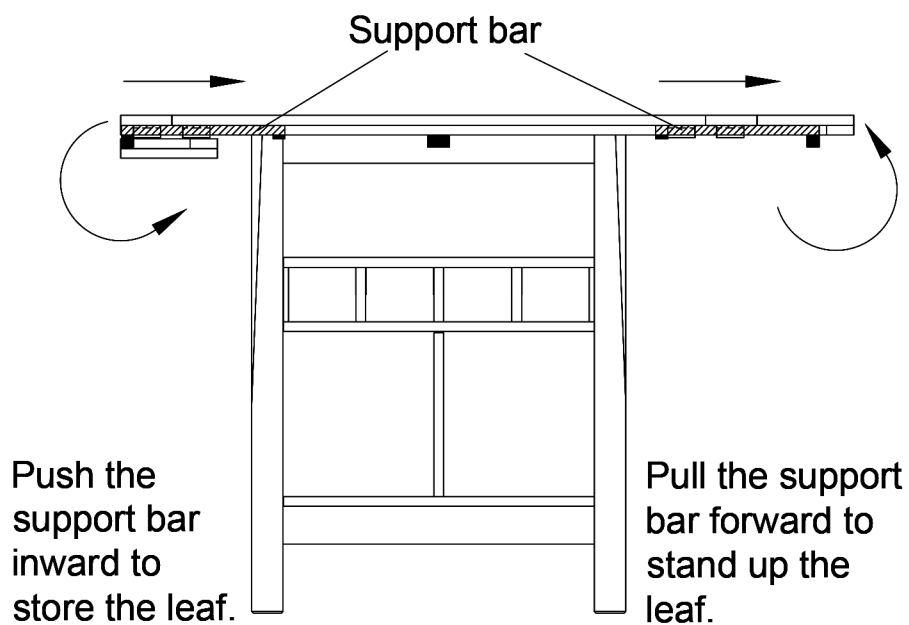
Part #10 x1pc



Removable Lazy Susan

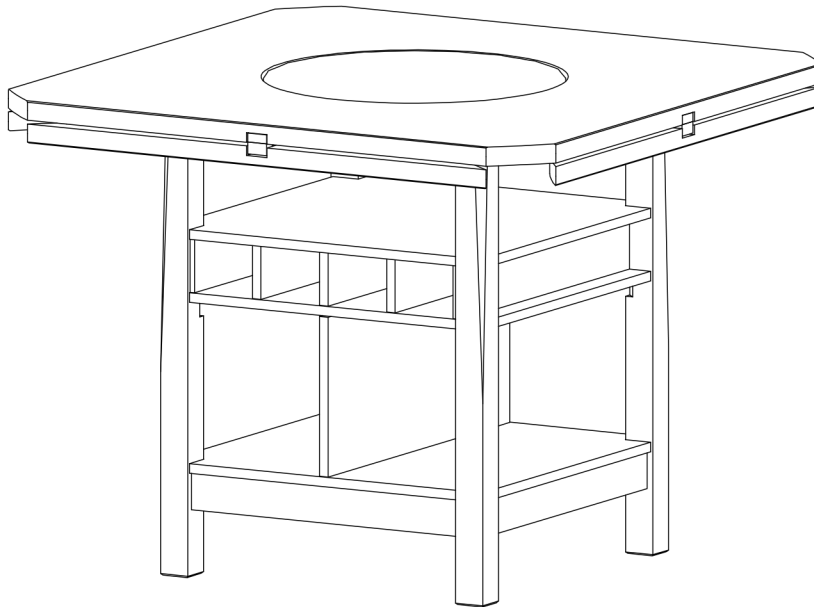
To remove the lazy susan (for cleaning purpose),
push from the hole underneath of the mounted board.

10

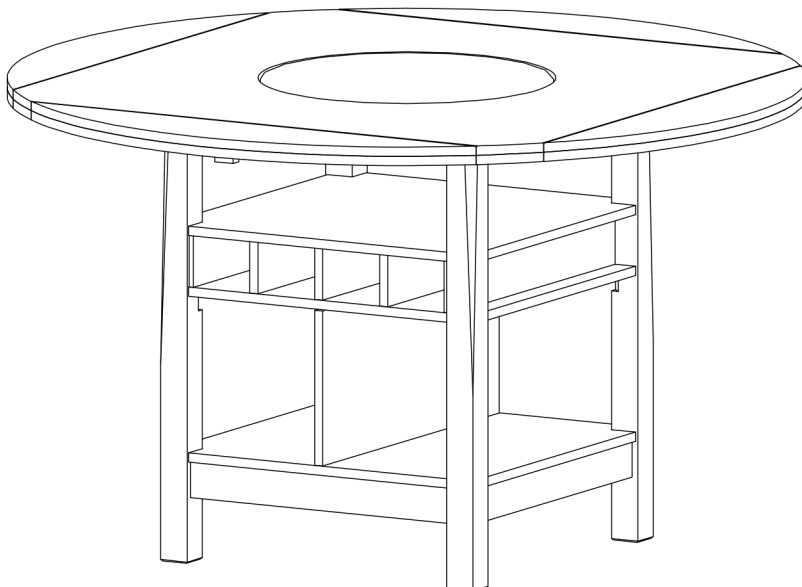


ASSEMBLY INSTRUCTIONS

11



12



ASSEMBLY COMPLETED



Please ensure the furniture rests on an even and flat surface. If the product wobbles or feels loose, double-check all bolts and/or screws are properly tightened and secured.



Keep this handy!

Please retain this instruction manual and any order-related information for future reference.



Lift, don't drag!

To avoid damage to product please always LIFT the product when transporting or adjusting the placement.