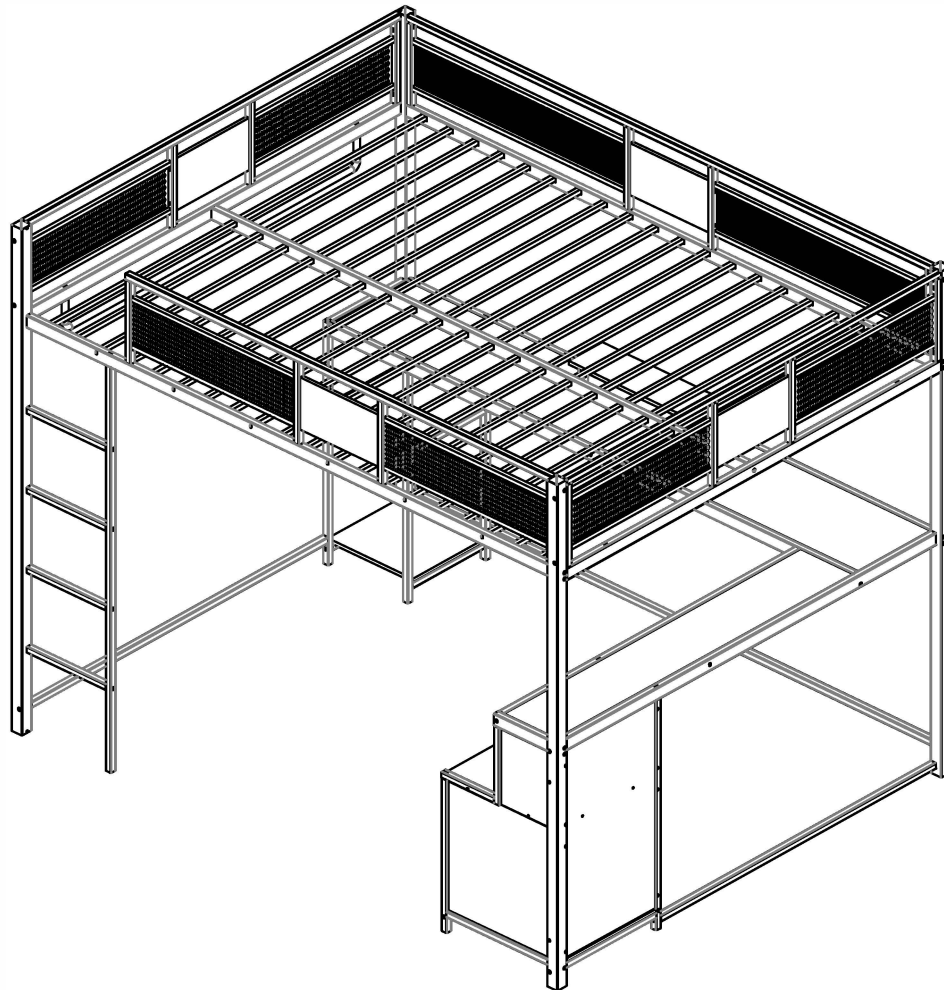


THE BED ASSEMBLY INSTRUCTIONS



SAFETY WARNINGS AND GENERAL NOTES:

1. Follow the information on the warnings on the bunk bed end structure and on the carton. Do not remove the warning label from the bed.
2. Always use the recommended size mattress on mattress support, or both, to help prevent the likelihood of entrapment or falls.
3. Do not allow children under 6 years of age to use the upper bunk.
4. Periodically check and ensure the guardrail, ladder and other components are in their proper position, free from damage, and all connectors are tight.
5. Do not allow horseplay on or under beds.
6. Always prohibit jumping on the bed.
7. Prohibit more than one person on upper bunk.
8. Always use the ladder for entering and leaving the upper bunk.
9. Do not use substitute parts. Contact the manufacturer or dealer for replacement parts.
10. Use of a night-tight may provide added safety precaution for a child using the upper bunk.
11. Always use guardrails on both long sides of the upper bunk.
12. If the bunk bed will be placed next to a wall, the guardrail that runs the full length of the bed should be placed against the wall to prevent entrapment between the bed and the wall.

The use of water or sleep flotation mattresses is prohibited.

13. **STRANGULATION HAZARD**-Never attach or hang items to any part of the bunk bed that are not designed for use with the bed; for example, but not limited to, hooks, belts and jump ropes.

14. Keep these instructions for future reference.

15. We recommend assembling your bunk bed on the shipping carton to protect your floor or carpet.

16. Be certain all staples are out of the box before beginning assembly on the shipping carton.

17. **USE ONLY MATTRESSES WHICH ARE AS THE TABLE BELOW ON UPPER AND ON LOWER BUNKS.**

Up bed (bunk bed and tribed included)

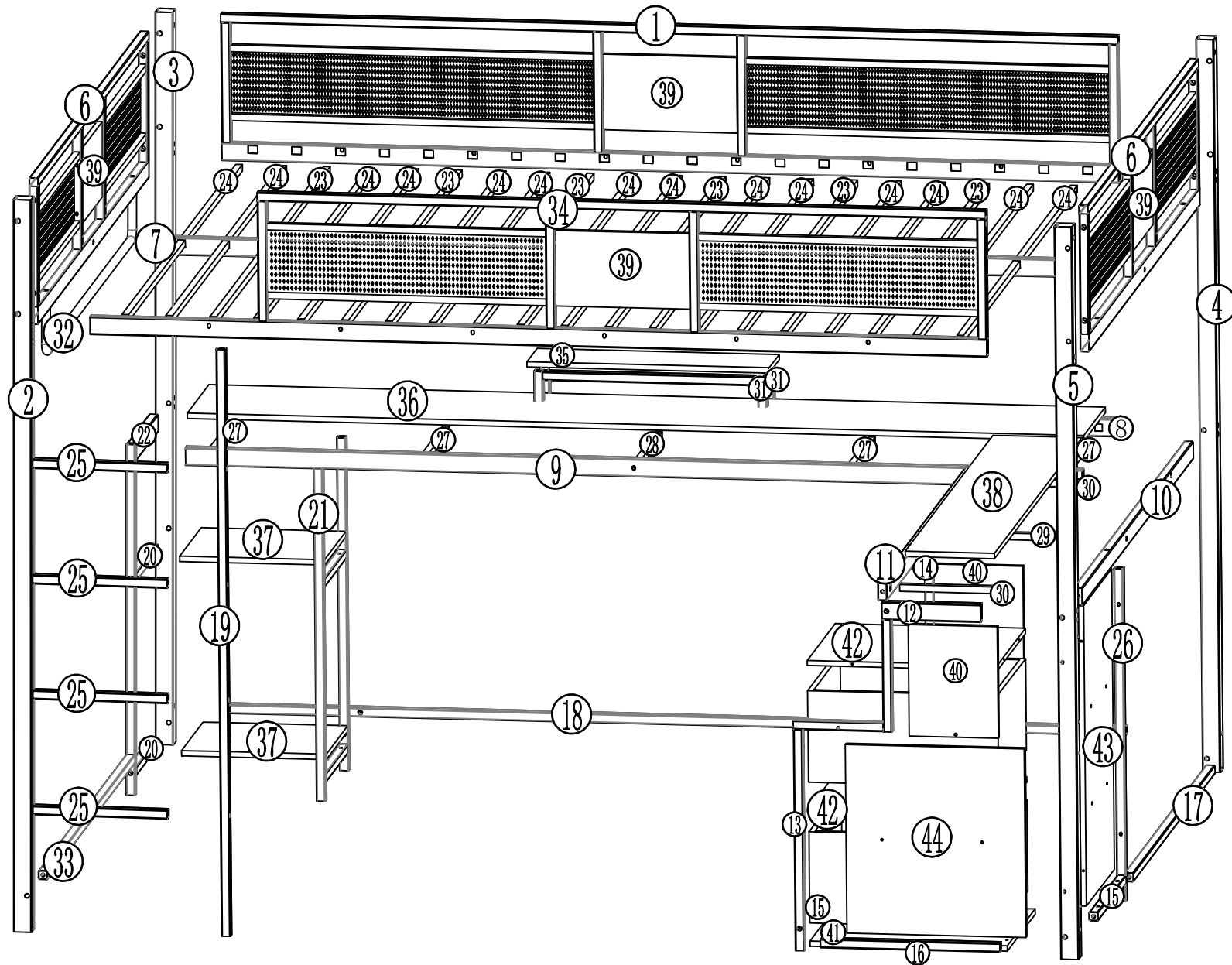
Mattress size	Length	Width	Thickness
QUEEN Standard	79"-80"	59"-60"	6"

18. **SURFACE OF MATTRESS MUST BE AT LEAST 5"(127MM) BELOW THE UPPER EDGE OF GUARDRAILS.**



































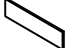

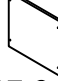

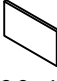




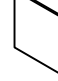

19. Replacement Parts:

Replacement Parts, including additional guardrails, may be obtained from any of our dealers.











Bed parts view



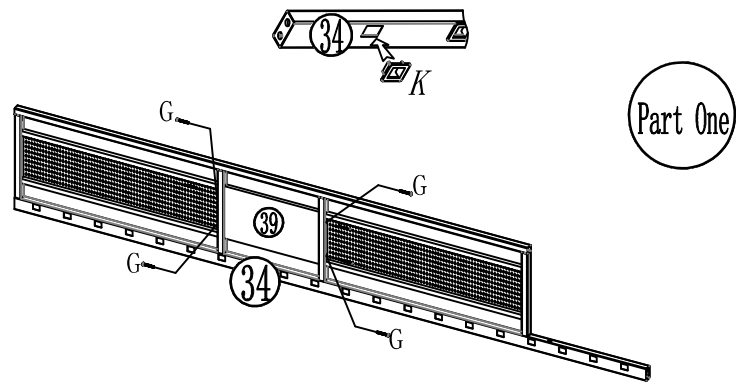
Part List


 1-1pcs	 2-1pcs	 3-1pcs	 4-1pcs	 5-1pcs	 6-2pcs	 7-1pcs
 8-1pcs	 9-1pcs	 10-1pcs	 11-1pcs	 12-1pcs	 13-2pcs	 14-1pcs
 15-2pcs	 16-2pcs	 17-1pcs	 18-1pcs	 19-1pcs	 20-2pcs	 21-1pcs
 22-1pcs	 23-6pcs	 24-14pcs	 25-4pcs	 26-1pcs	 27-1pcs	 28-4pcs
 29-1pcs	 30-2pcs	 31-2pcs	 32-1pcs	 33-1pcs	 34-1pcs	 35-1pcs
 36-1pcs	 37-2pcs	 38-1pcs	 39-4pcs	 40-2pcs	 41-1pcs	 42-2pcs
 43-1pcs	 44-2pcs	 45-2pcs				

Hardware List


 C 8*35 27PCS	 D 8*55 48PCS	 E 6*25 16PCS	 F 8*15 12PCS	 K 40PCS	 R M4*25 16PCS	 G M4*35 42PCS	 H 4*50-6PCS	 U-2PCS	 T-4PCS
---	---	---	---	--	--	--	---	---	---

Step 1

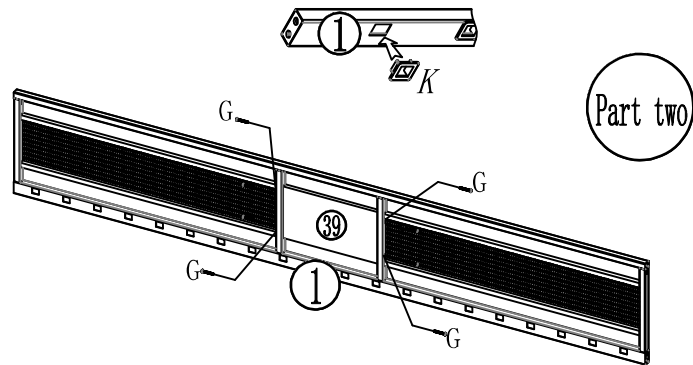




G
M4*35
4PCS


K
20PCS

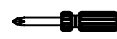

M

Step 2

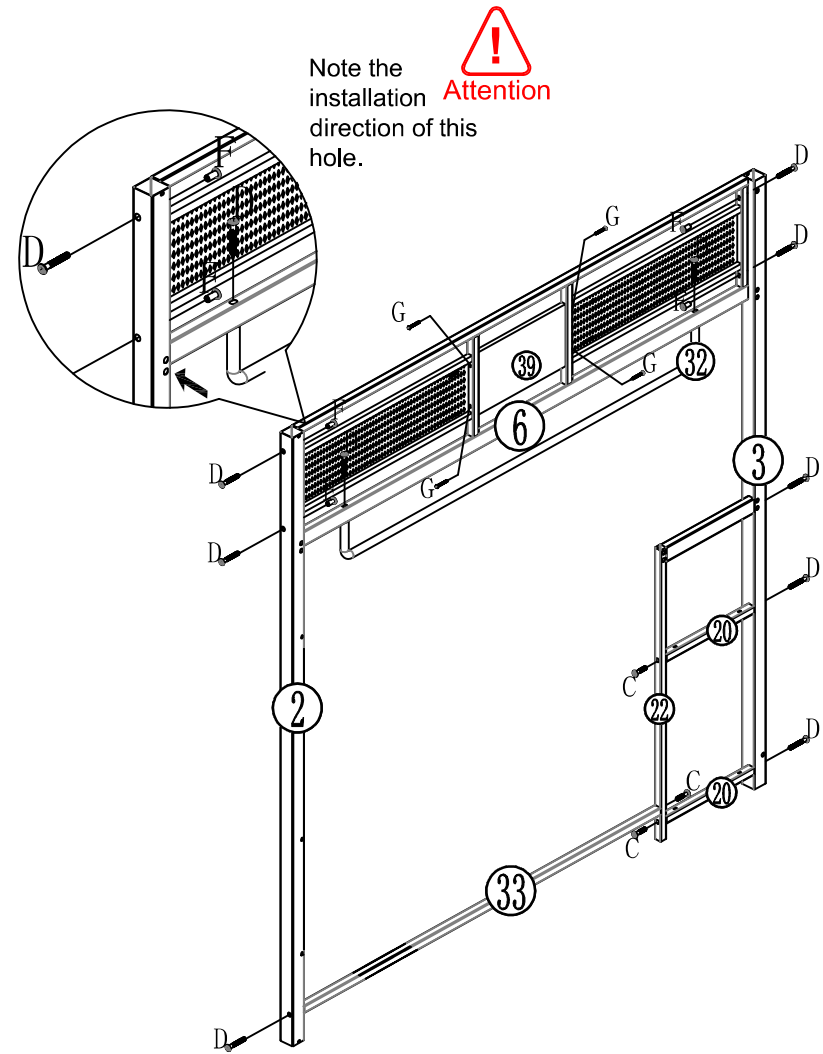



G
M4*35
4PCS



K
20PCS



M


Step 3




Note the installation direction of this hole. **Attention**


C
8*35
3PCS


D
8*55
10PCS

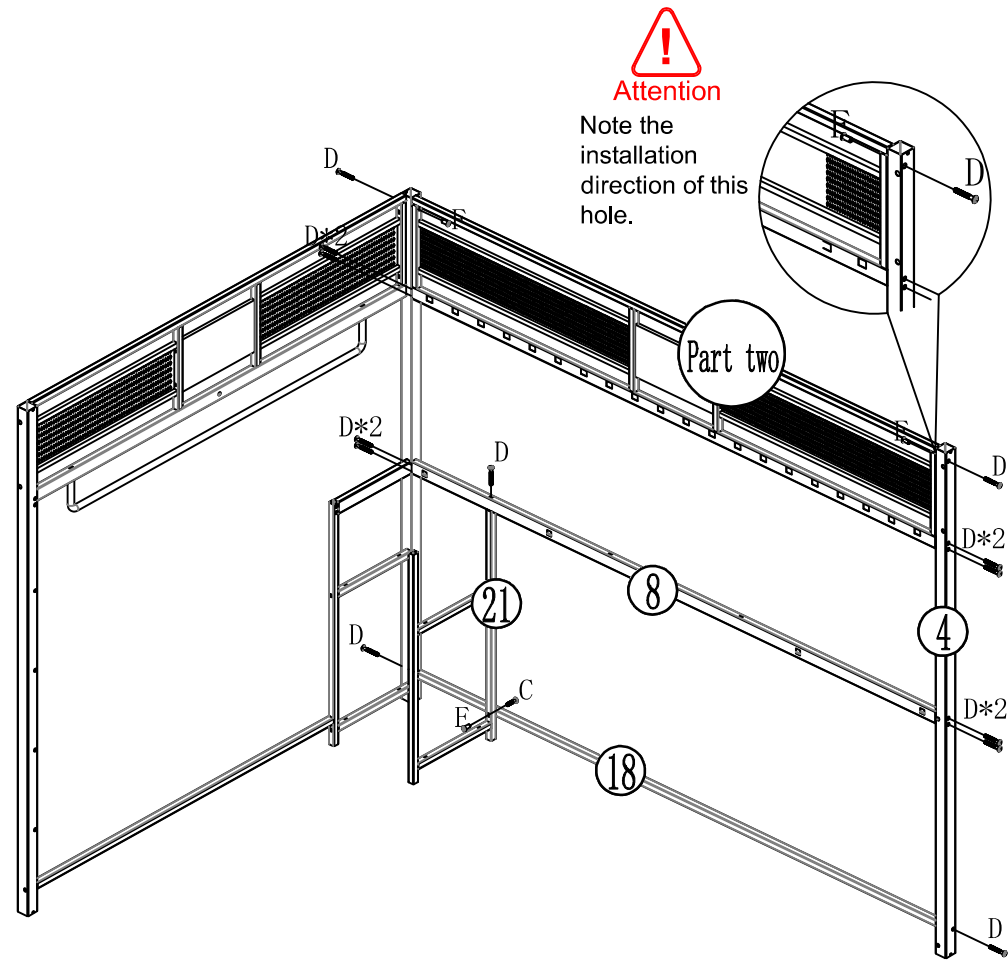

F
8*15
4PCS


G
M4*35
4PCS

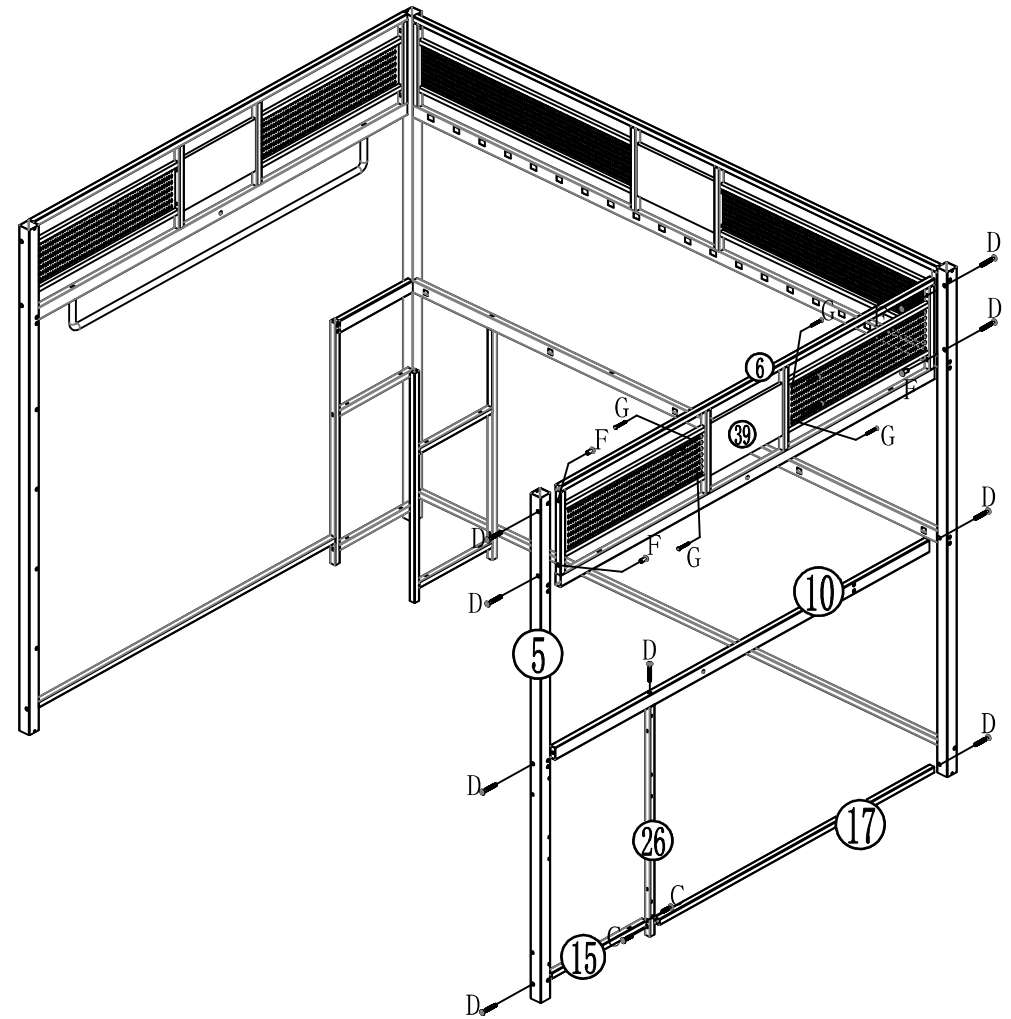

L






M







Step 4



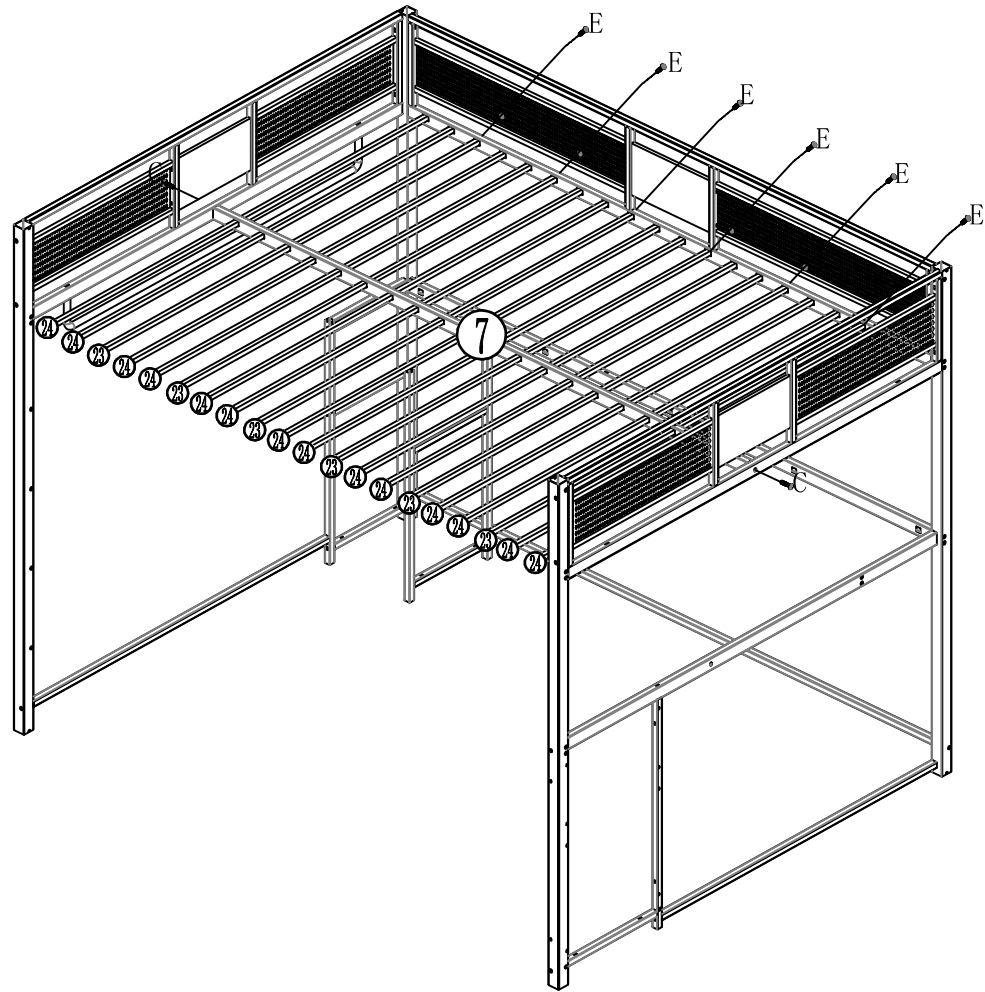
Step 5



			
D 8*55-13PCS	F 4*15-3PCS	C 8*35 1PCS	L

					
D 8*55-9PCS	G M4*35 4PCS	C 8*35 2PCS	F 4*15-4PCS	M	L

Step 6



C
8*35
2PCS

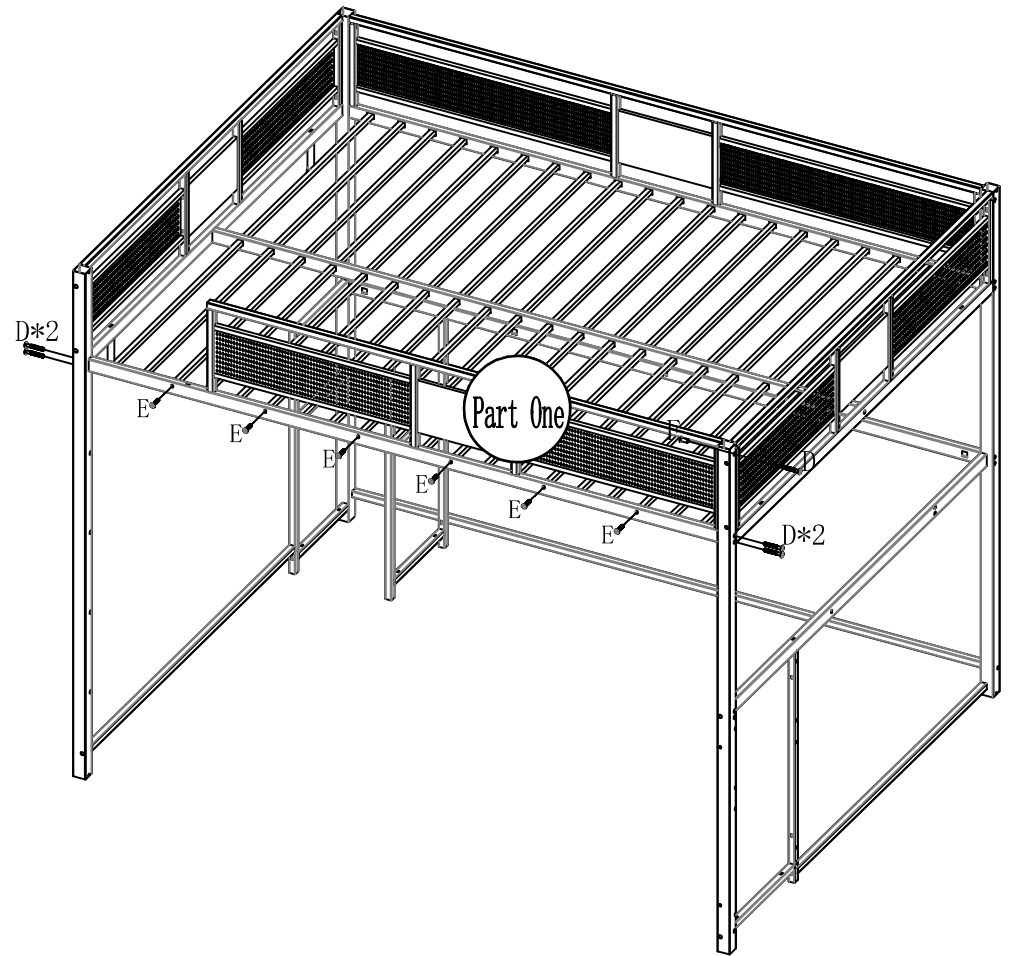


E
6*35
6PCS



L

Step 7



D
8*55-5PCS



E
6*35
6PCS

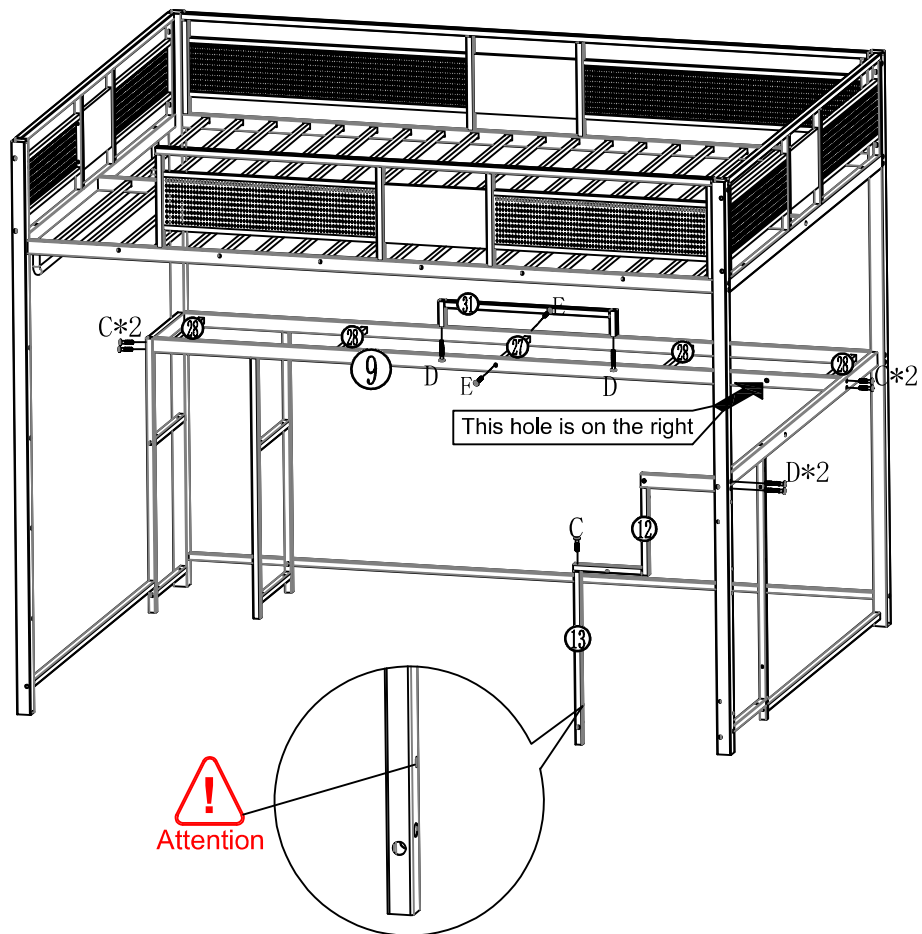


F
4*15-1PCS



L

Step 8



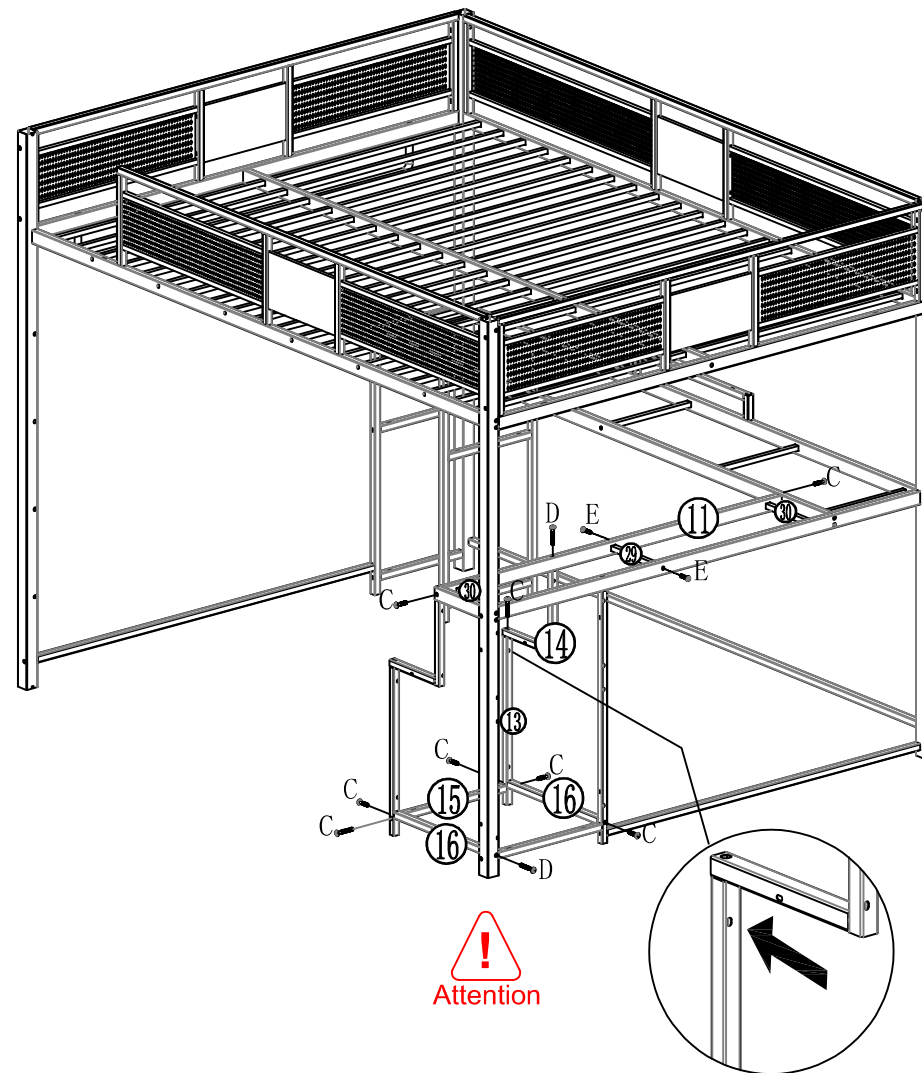
C
8*35
5PCS

D
8*55-4PCS

E
6*35
2PCS

L

Step 9



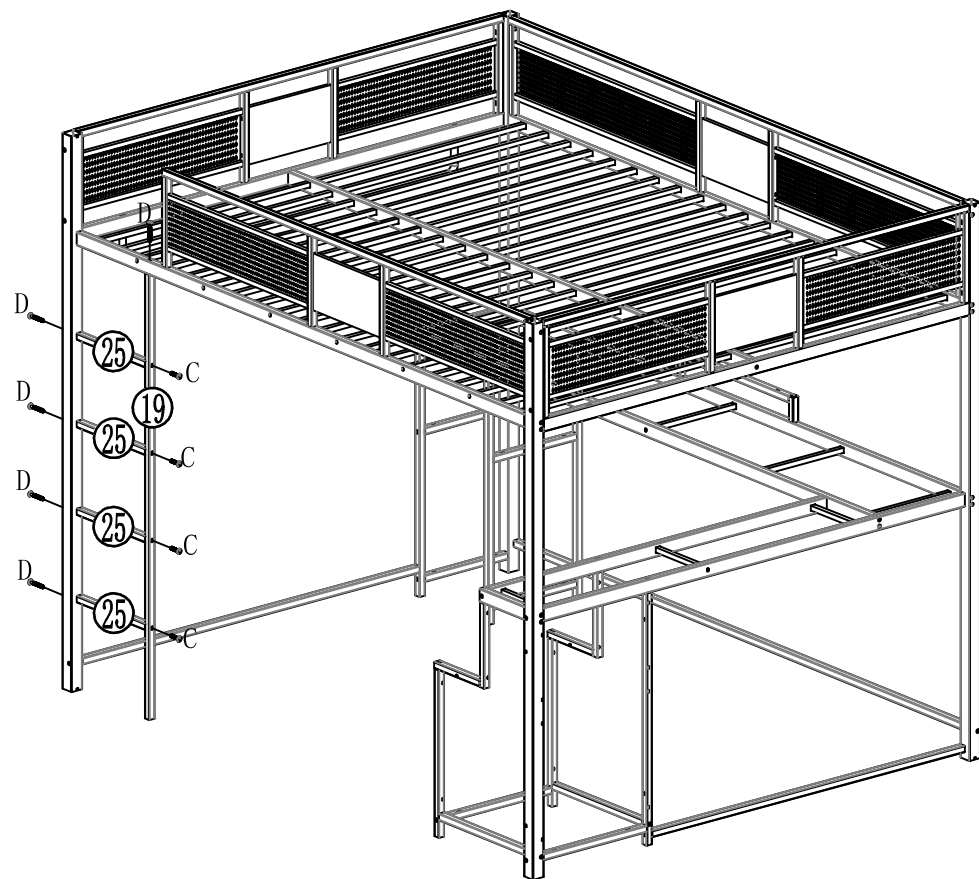
E
6*25
2PCS

D
8*55-2PCS

C
8*35
8PCS

L

Step 10



D
8*55-5PCS

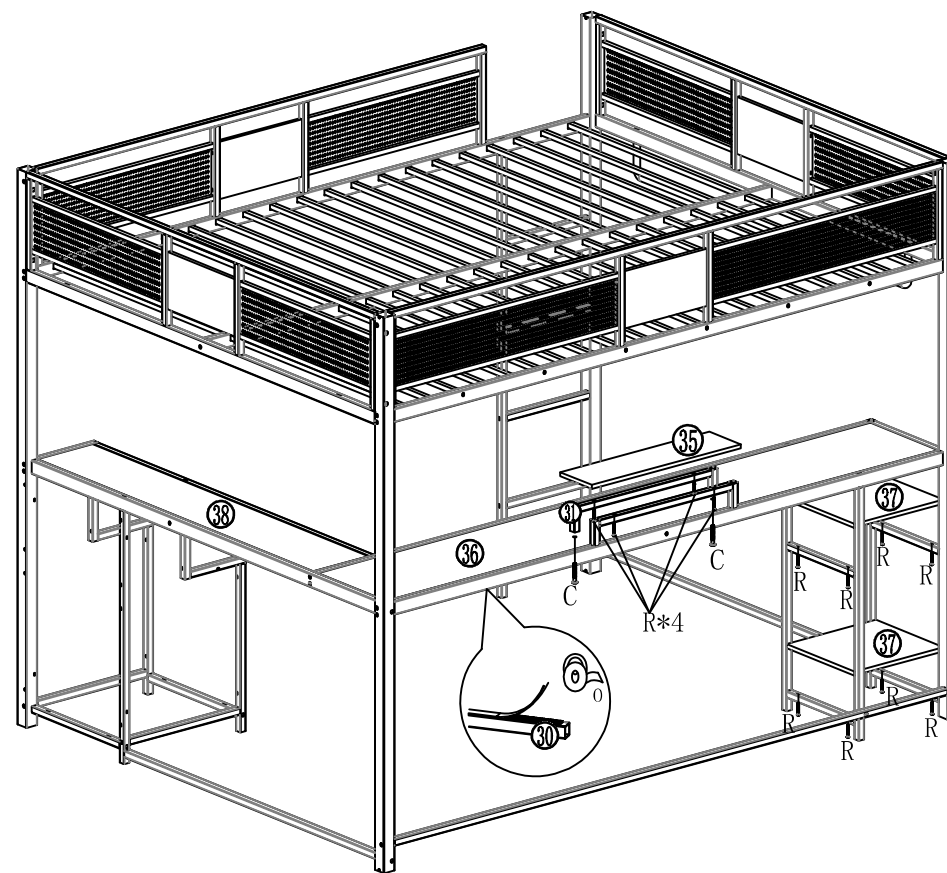


C
8*35
4PCS



L

Step 11



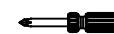
C
8*35
2PCS



R
M4*25
12PCS



O

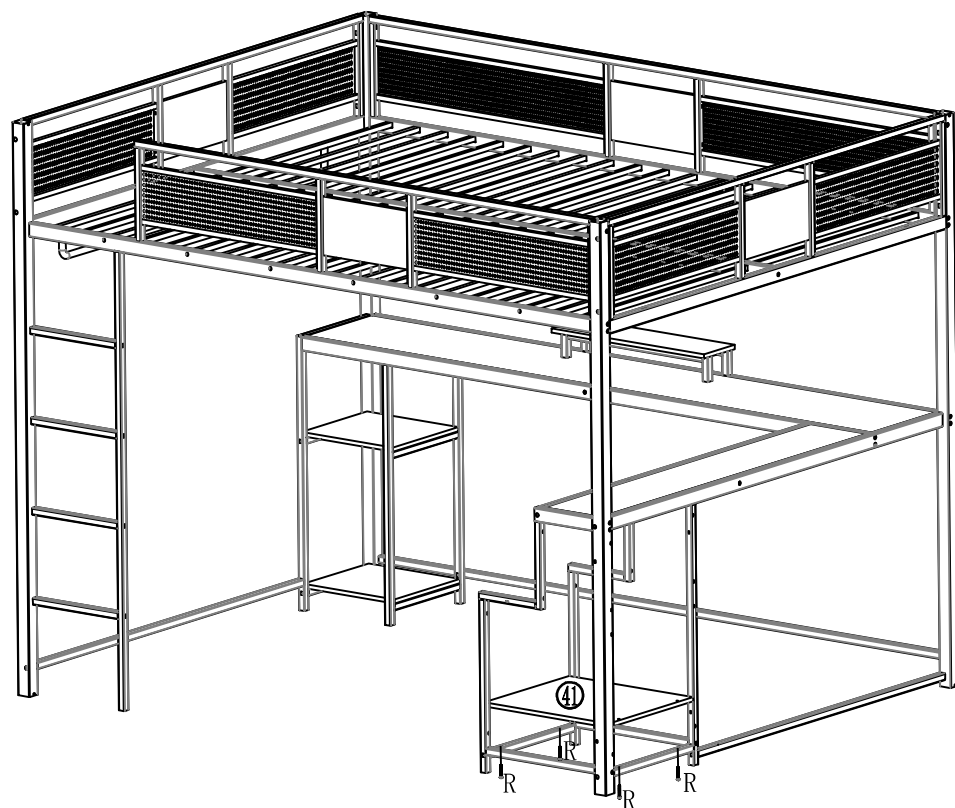


M



L

Step 12



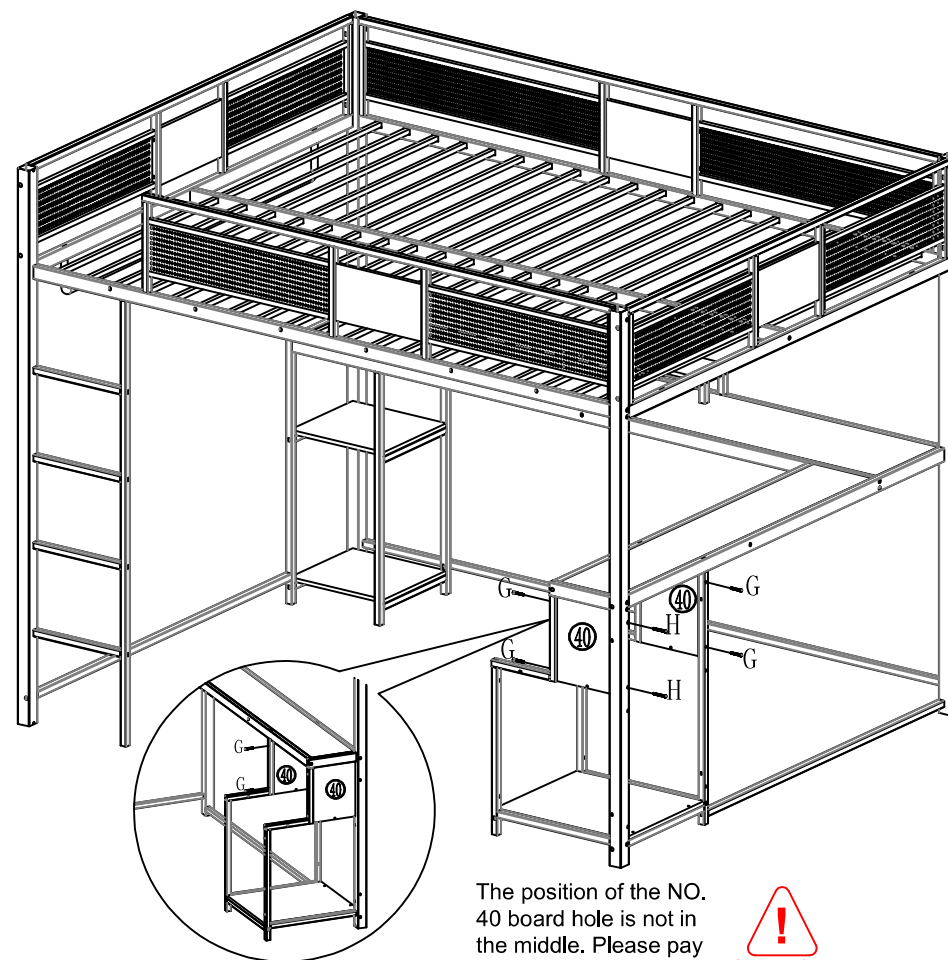
R

M4*25
4PCS



M

Step 13



G

M4*35
6PCS




H

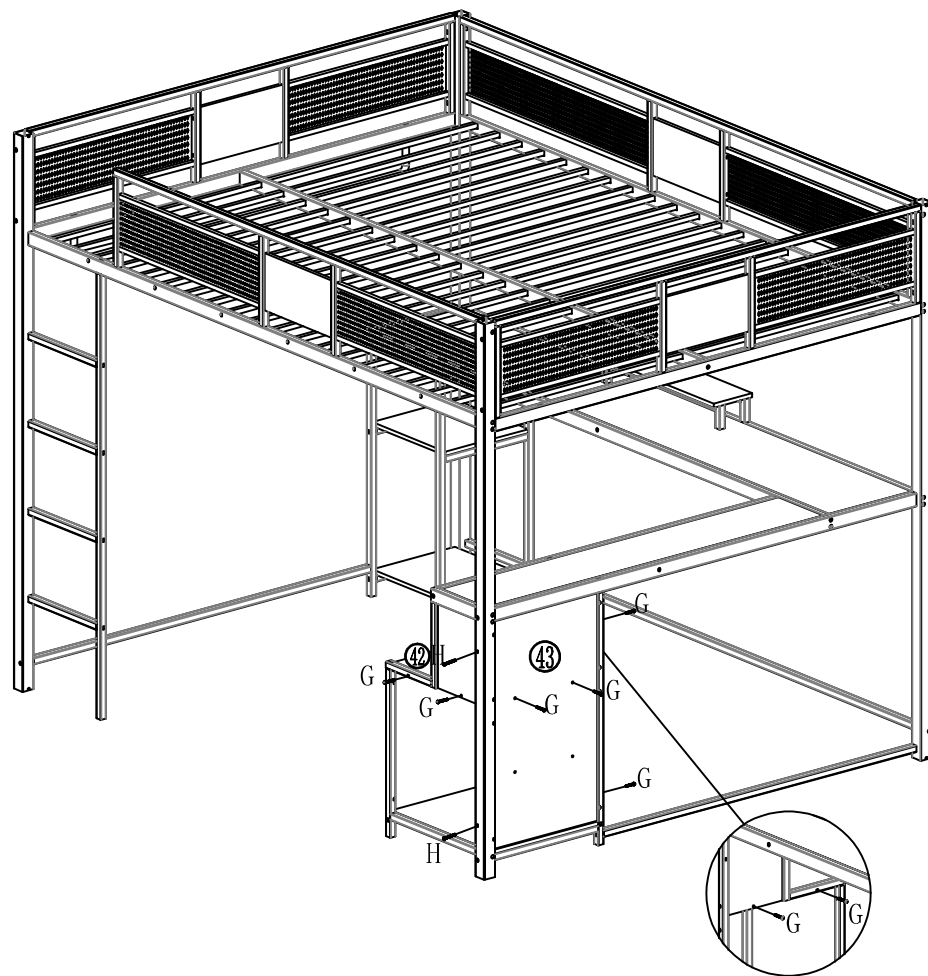
4*50-2PCS



M

The position of the NO. 40 board hole is not in the middle. Please pay attention to the direction  **Attention**

Step 14



G

M4*35
8PCS



H

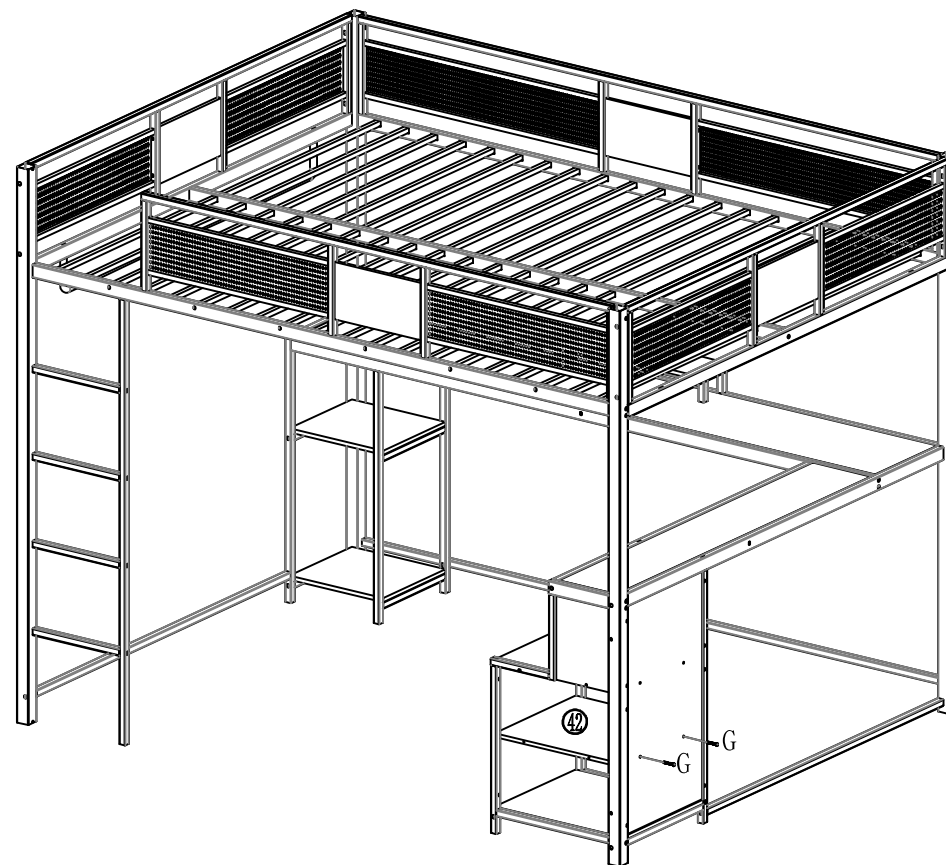
4*50-2PCS



M

1PCS

Step 15



G

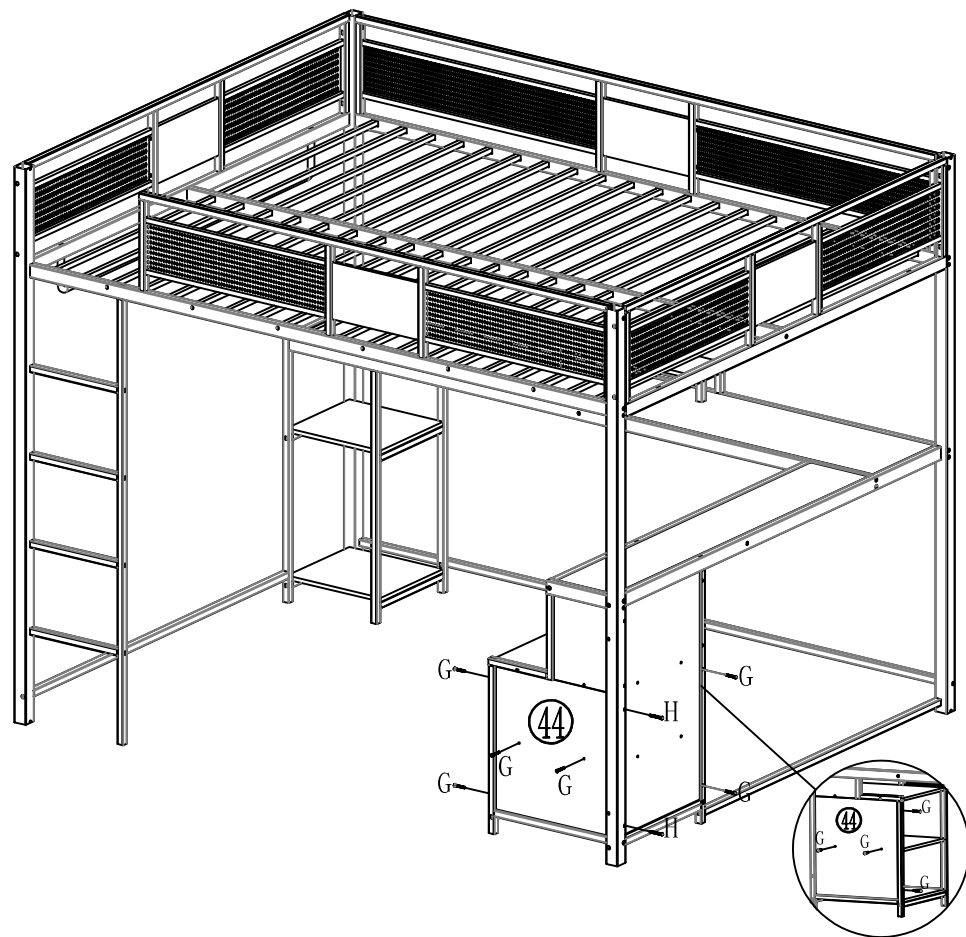
M4*35
2PCS



M

1PCS

Step 16



G
M4*35
10PCS

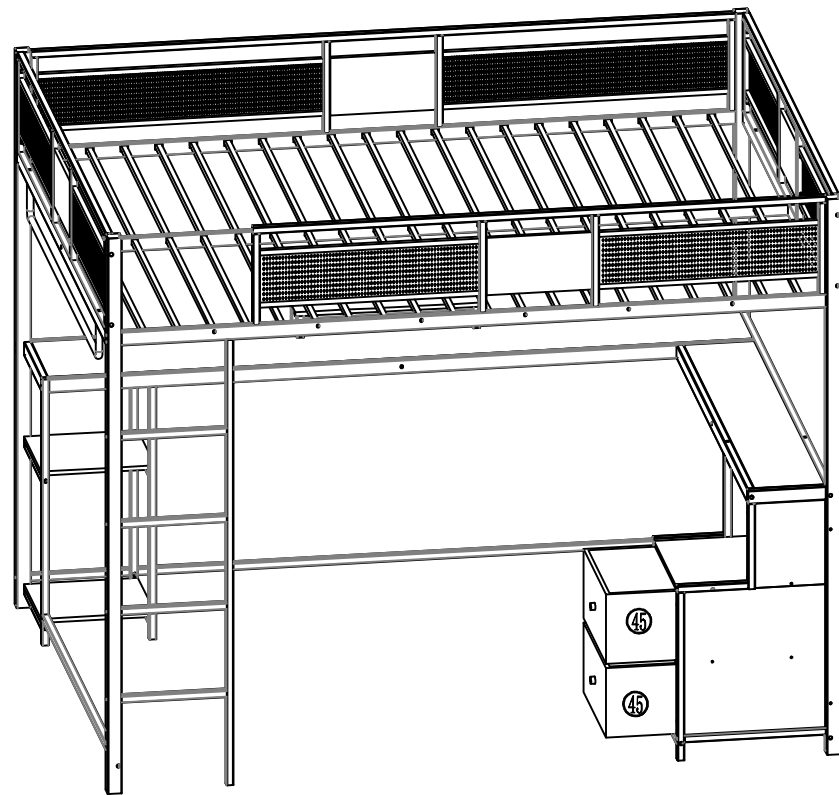


H
4*50-2PCS

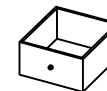
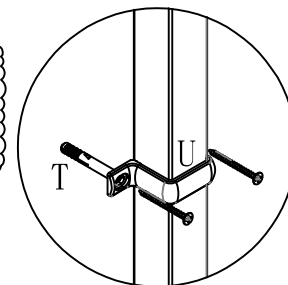


M
1PCS

Step 17

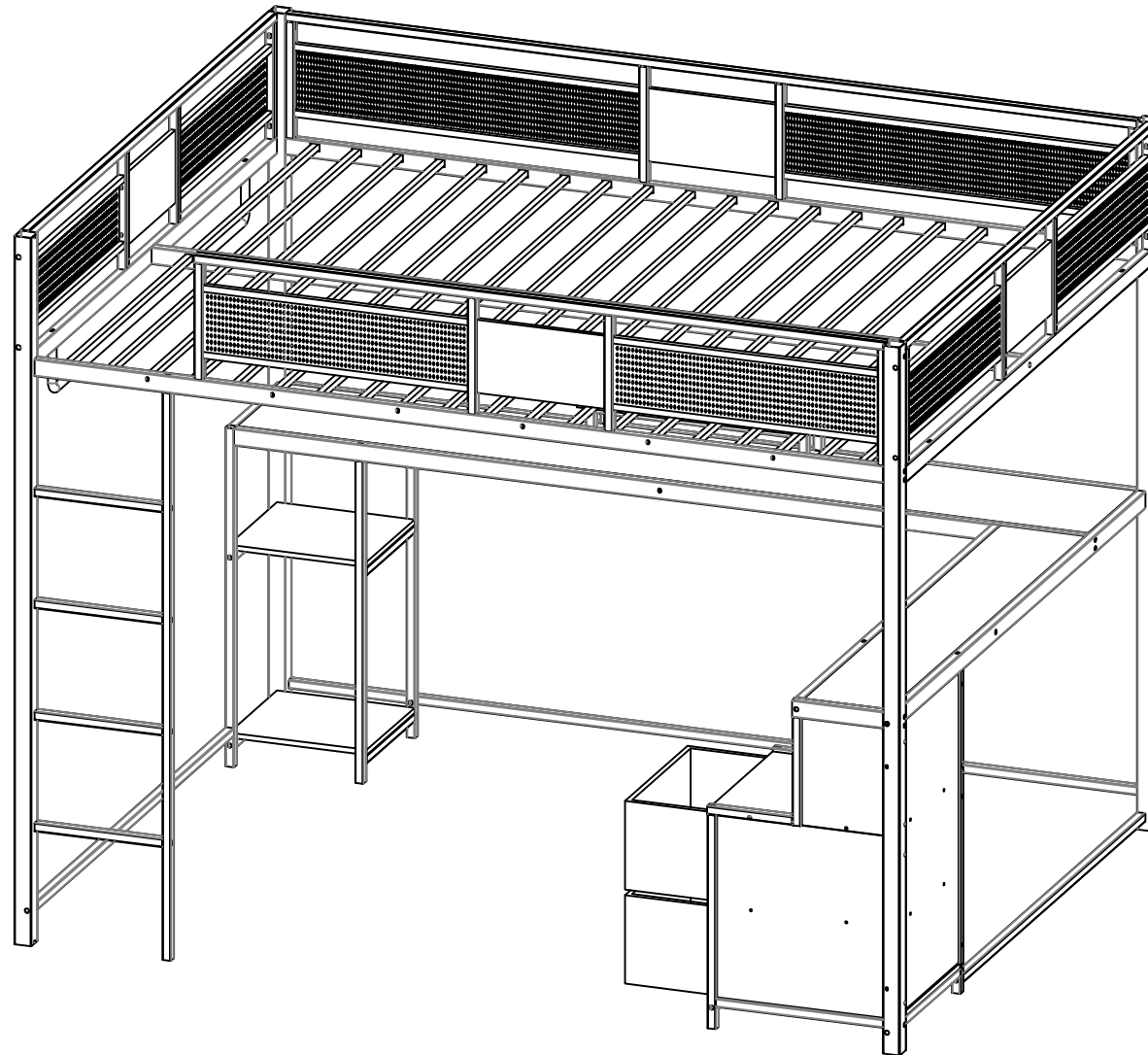


Tips:
If you feel that the bed
is a little wobbly then
please use the parts "U"
and "T" for reinforcement



#45-2PCS

Completed bed



Please make sure all bolts are fastened before use, thank you.