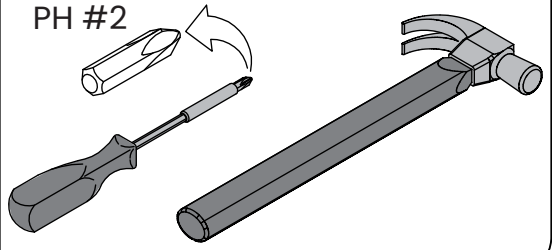
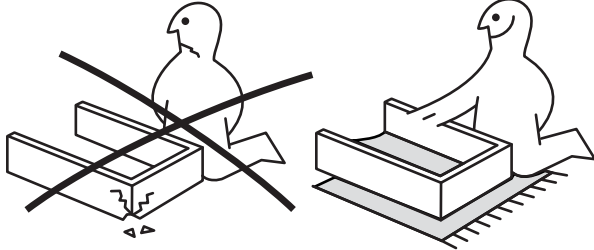
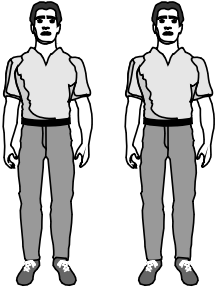
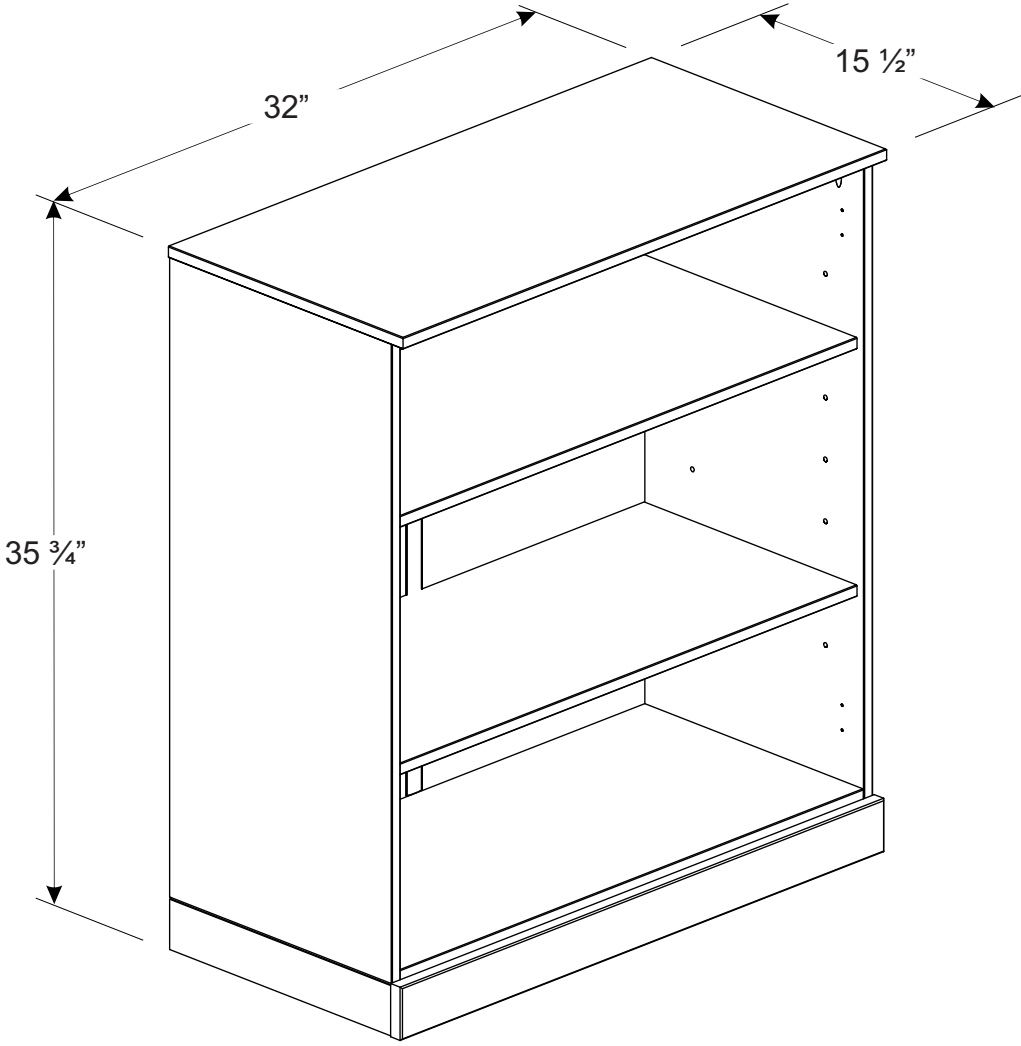


# ASSEMBLY GUIDE

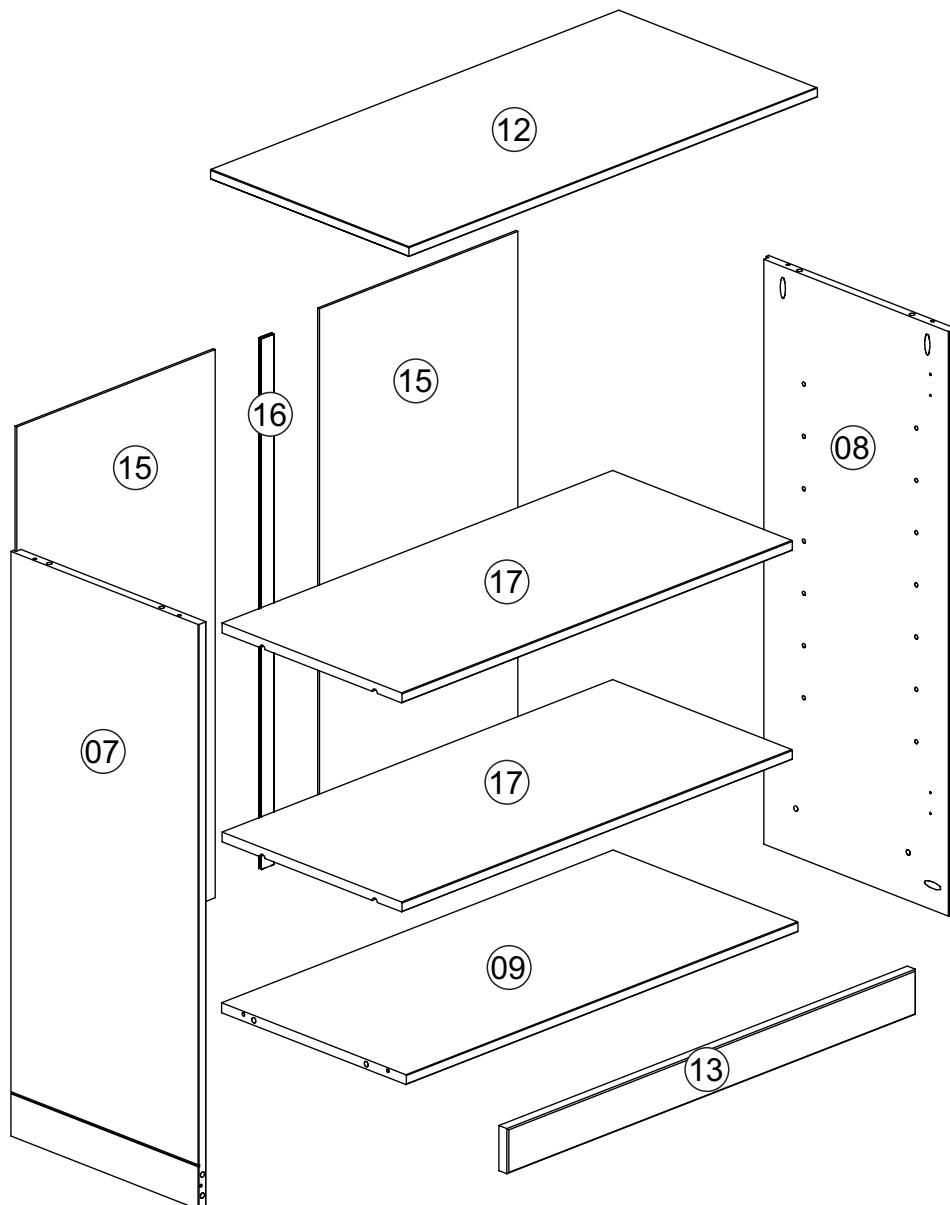
## PANTRY 2-DOOR CABINET




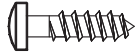
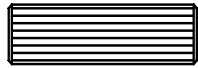
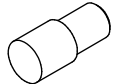
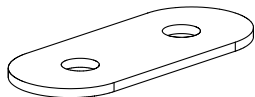
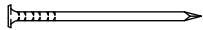
# PRE-ASSEMBLY PREPARATION

- Please check the contents before assembling. A full checklist of parts is provided below.
- If any parts are missing or damaged, please contact us
- Assemble on a flat, smooth surface on top of a blanket.
- Use only low-speed power drill setting.
- Assemble as near as possible to the point of use.
- The hardware pack contains SMALL ITEMS which should be KEPT AWAY FROM YOUNG CHILDREN.

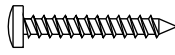
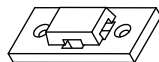

## PARTS DIAGRAM




SCREWS ARE SHOWN IN ACTUAL SIZE

A1	 4,0x30	10+1
A44	 3,5x14	4+1
C2	 8,0x25	12+1
D4		08+1
D48	 31x13	02
G1	 10x10	30

FURNITURE TIP-OVER RESTRAINT

A8	 3,0x20	02+1
F8		02
F9		01

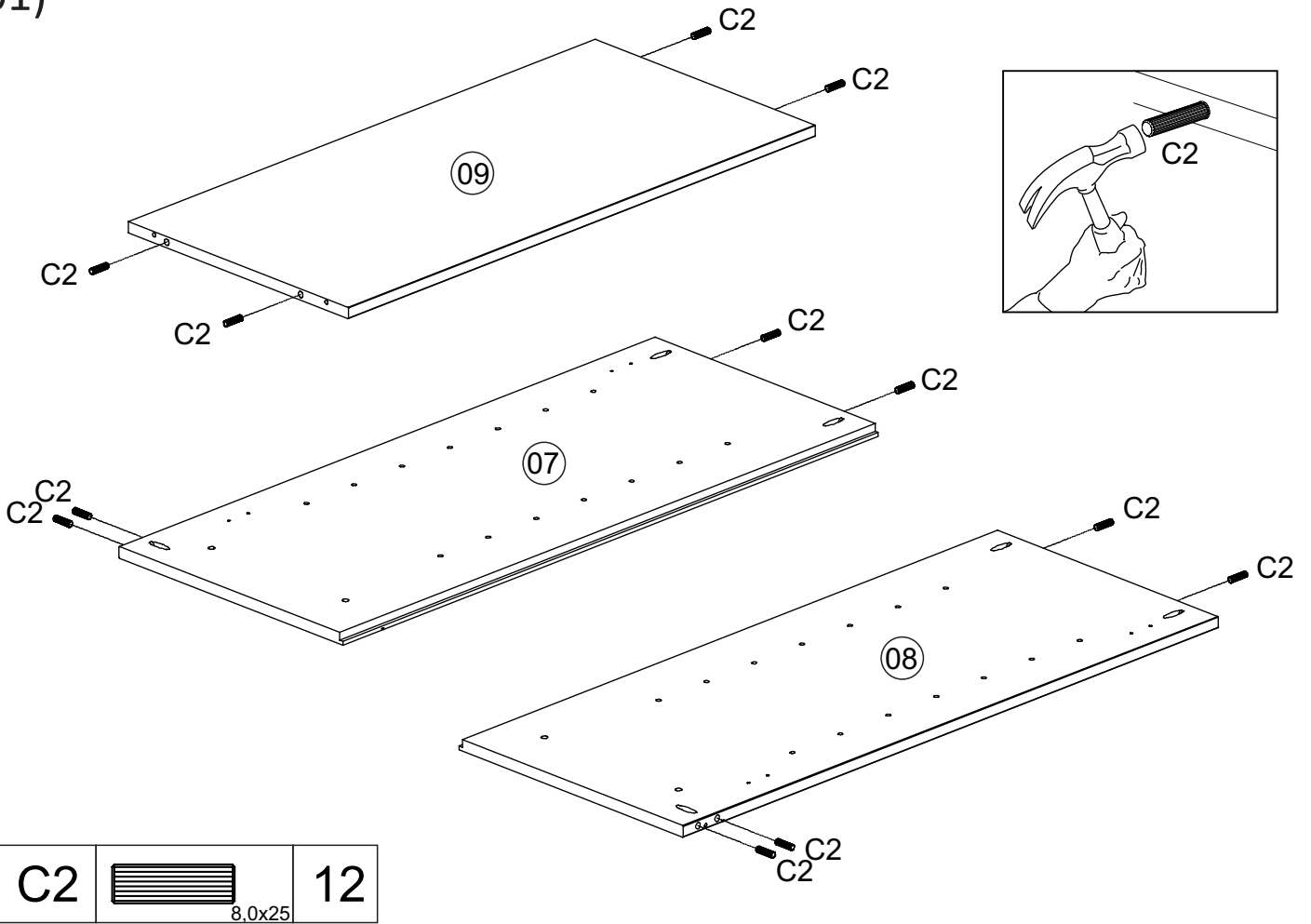
 **WARNING:**  
**CHOKING HAZARD**  
 Small Parts.  
 Adult Supervision Required.  
 Not for children under 3 years old.

 **WARNING:**

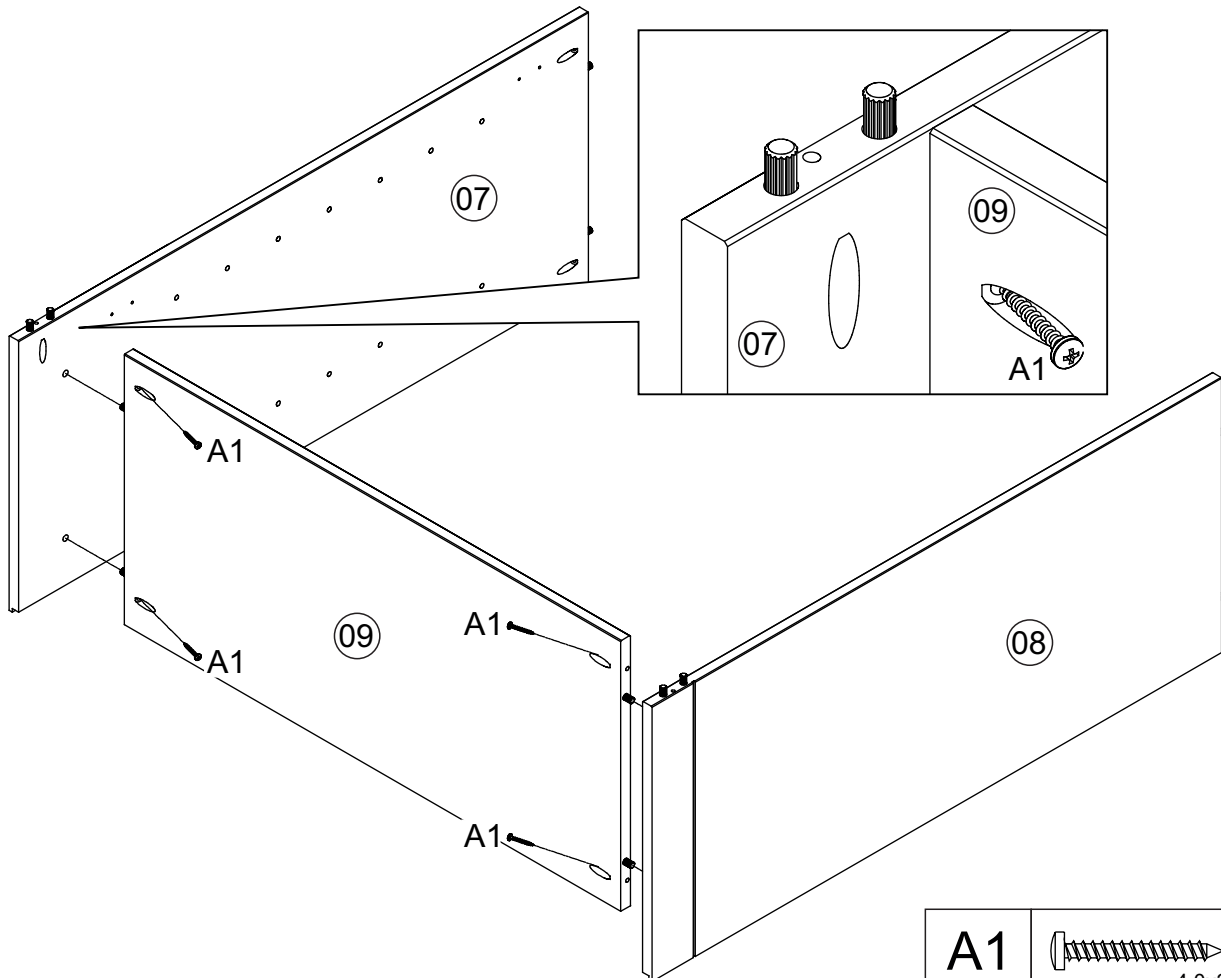
**FURNITURE TIPOVER CAN RESULT  
 IN SERIOUS INJURY OR DEATH**

This wardrobe includes tipover-  
 prevention hardware that  
**MUST BE ATTACHED TO THE WALL**  
 per the assembly instructions.

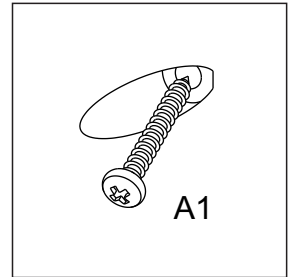
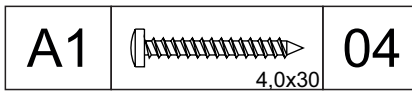
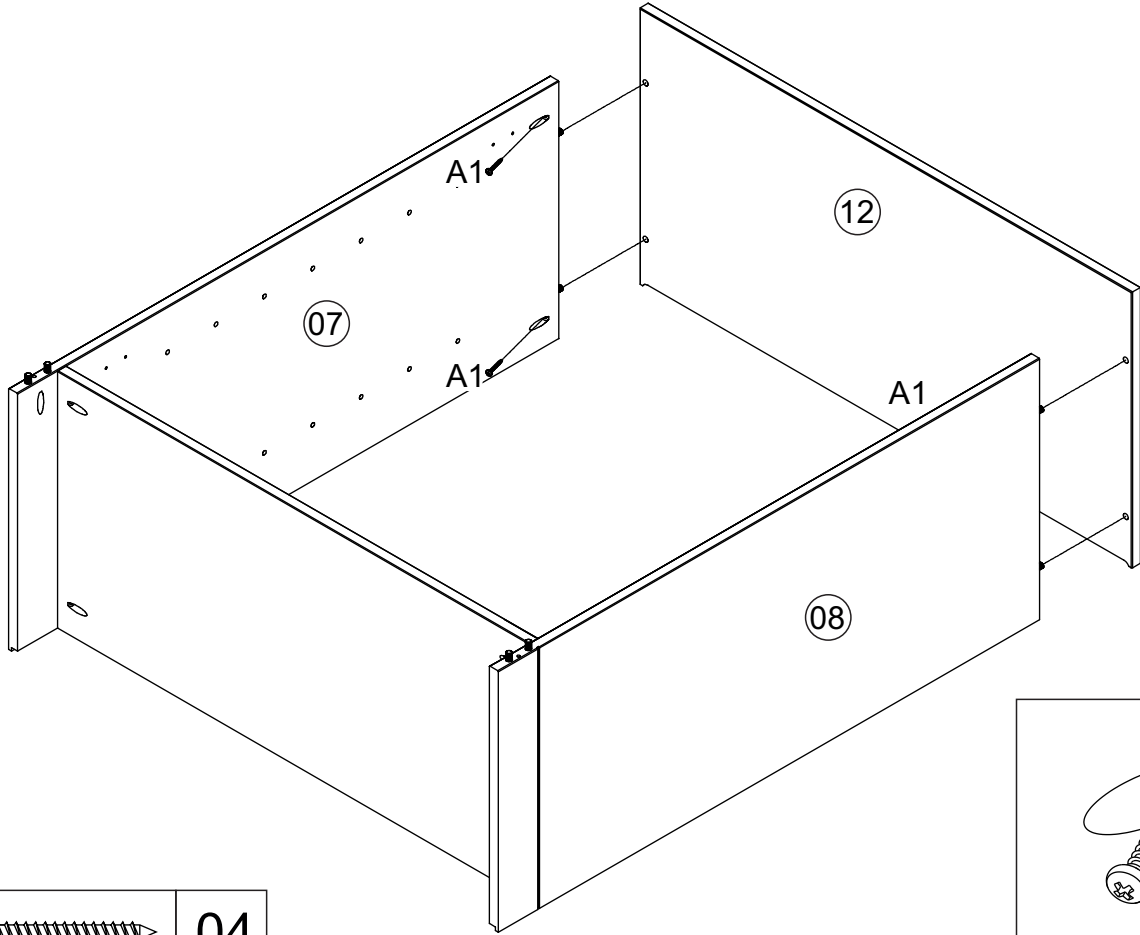
01)



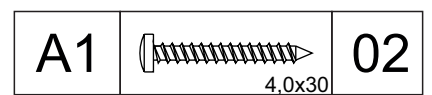
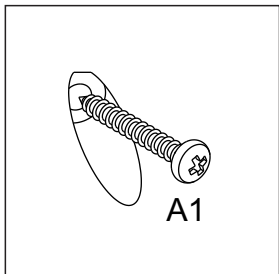
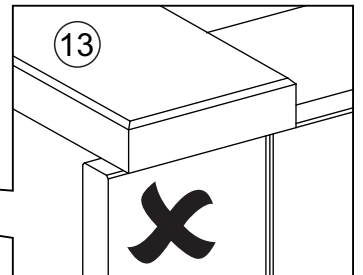
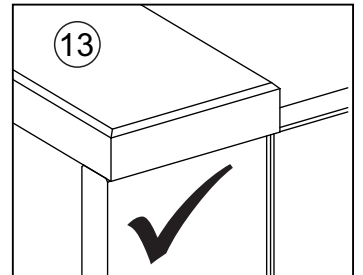
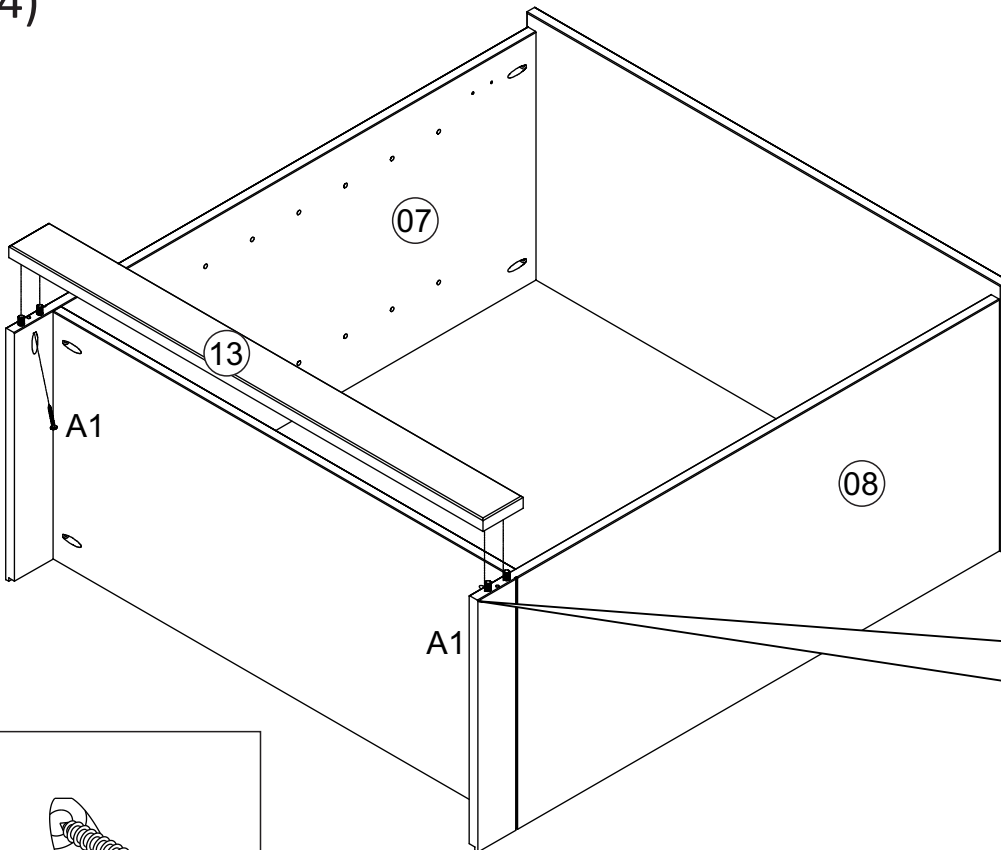
02)



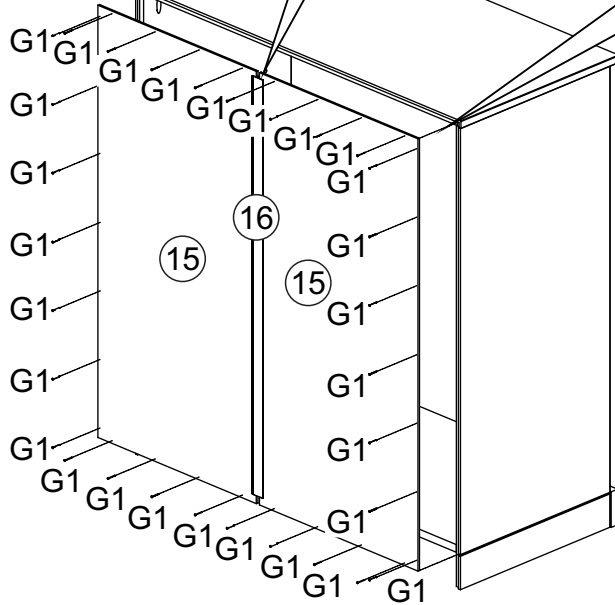
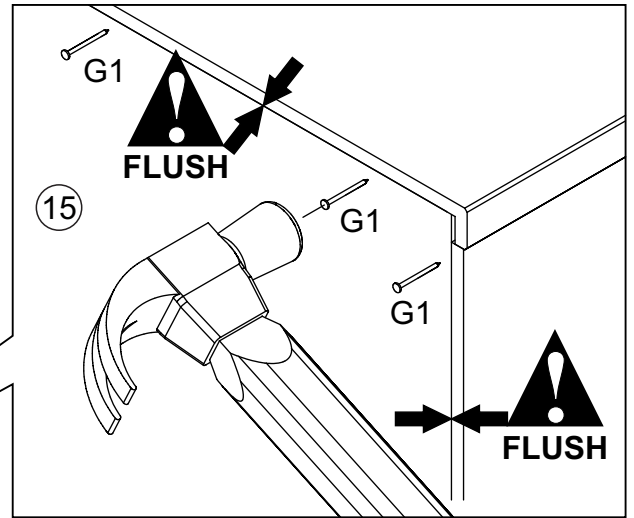
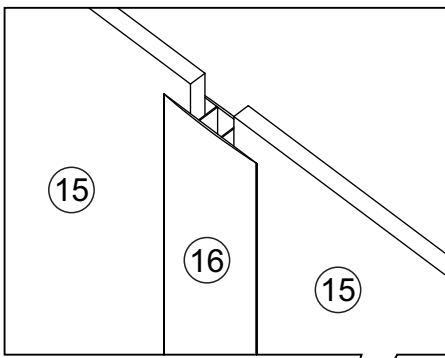
03)




04)

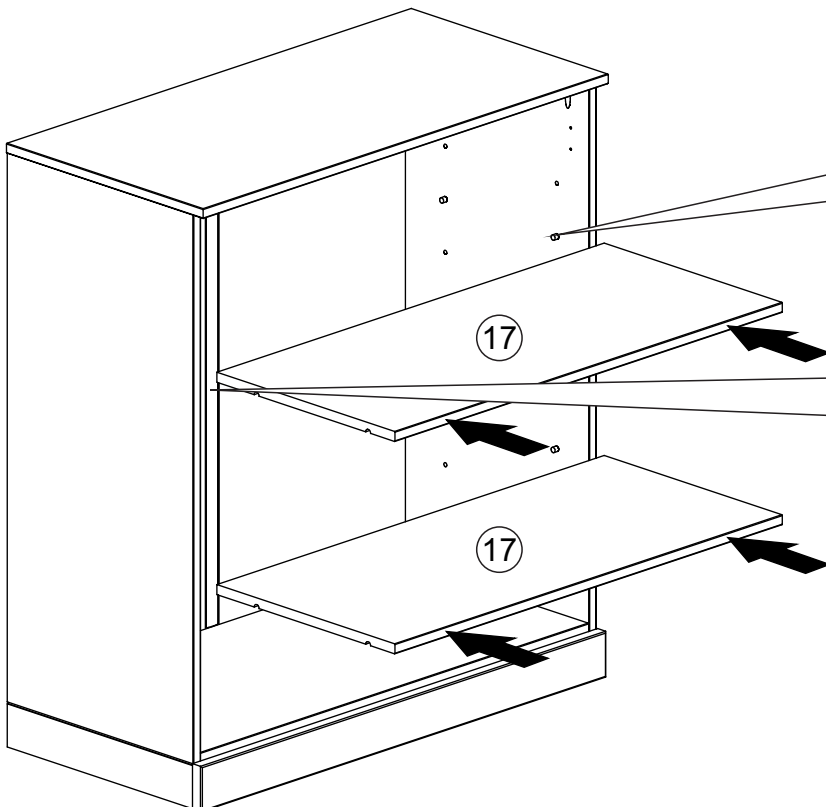


05)

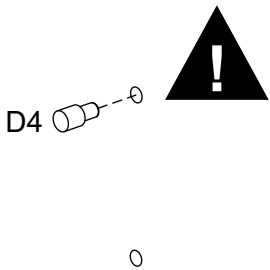



G1		30
	10x10	

06)

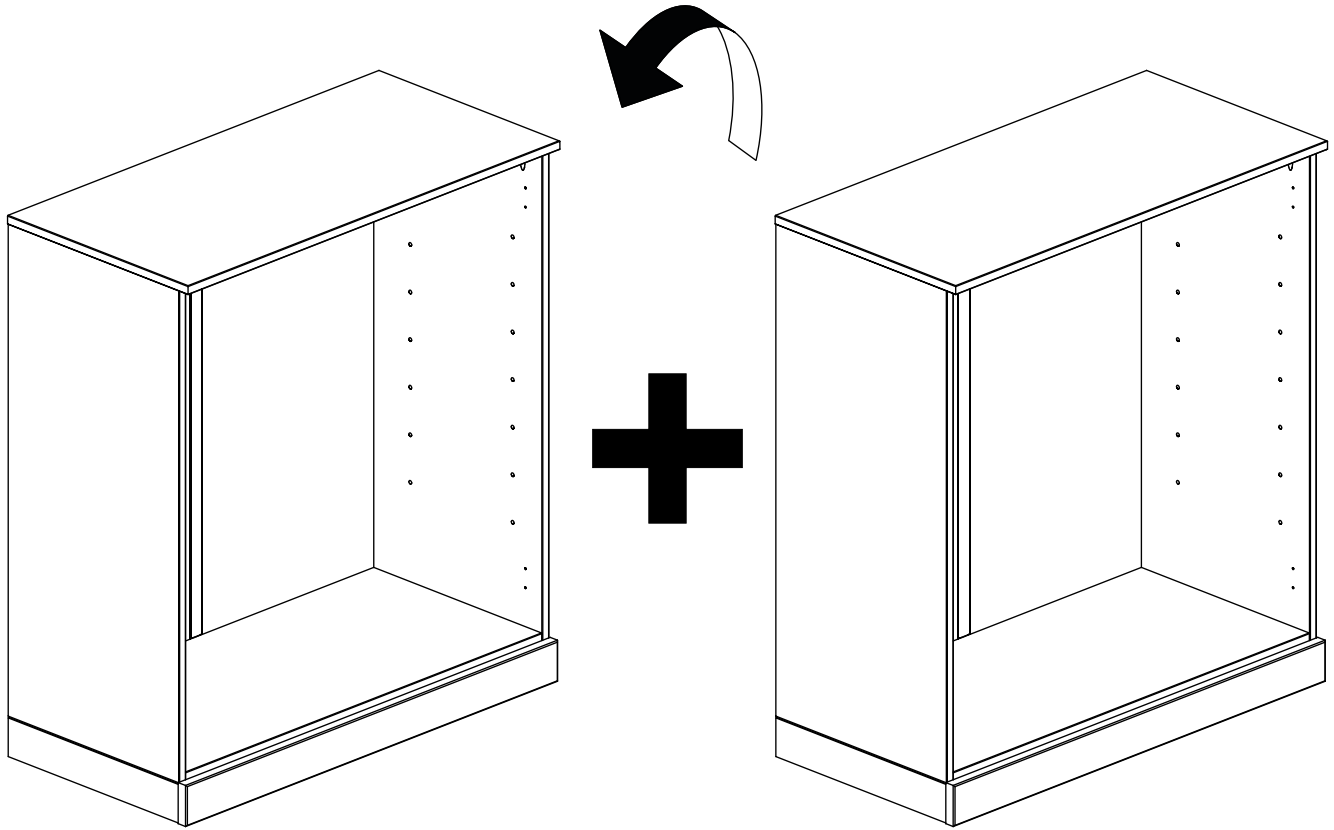


Choose the desired shelf position and insert metal pegs.

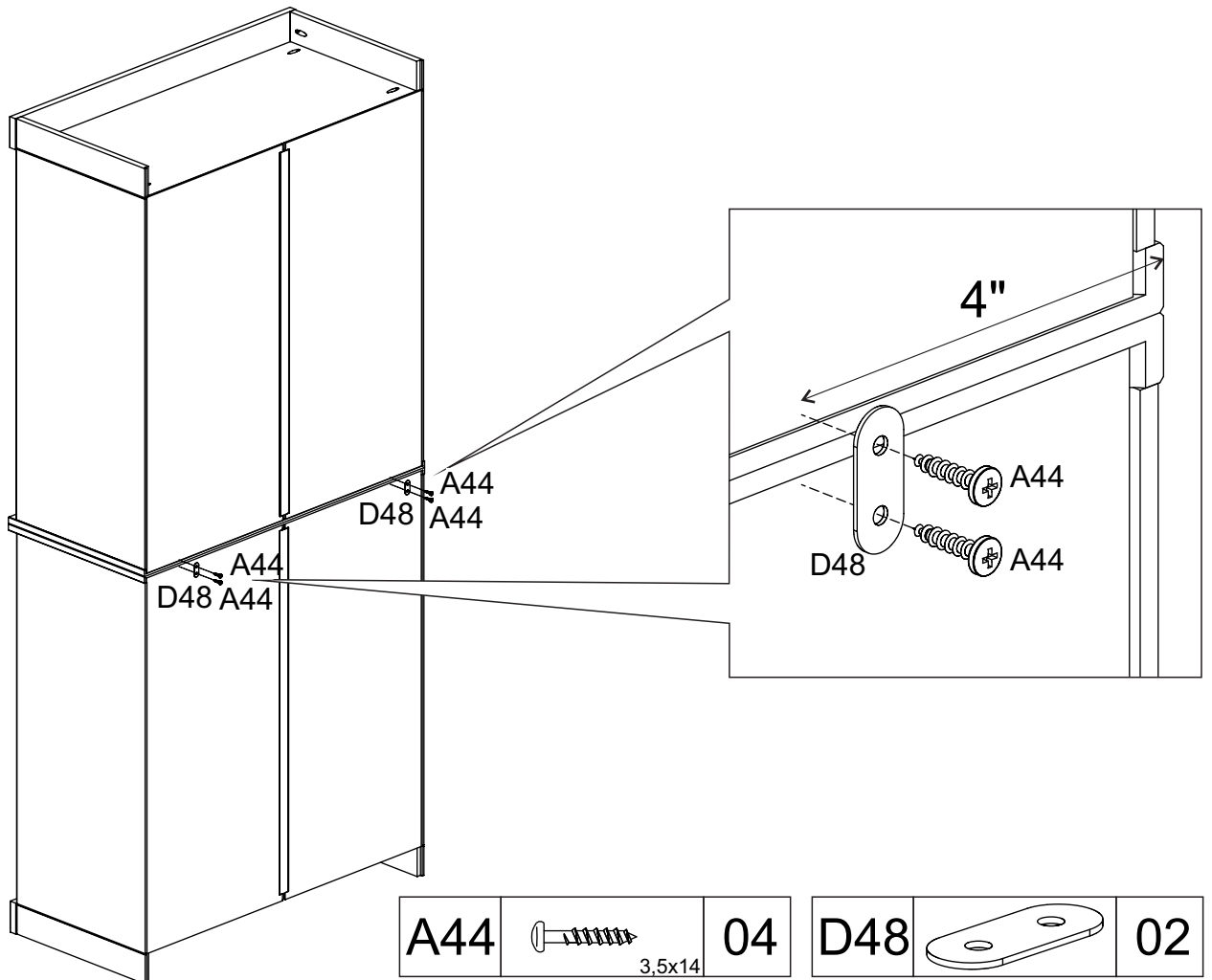


D4		08
----	---	----

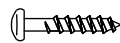
07) Connecting top and bottom cabinets  
(2 cabinets must be purchased).



08)



A44



3.5x14

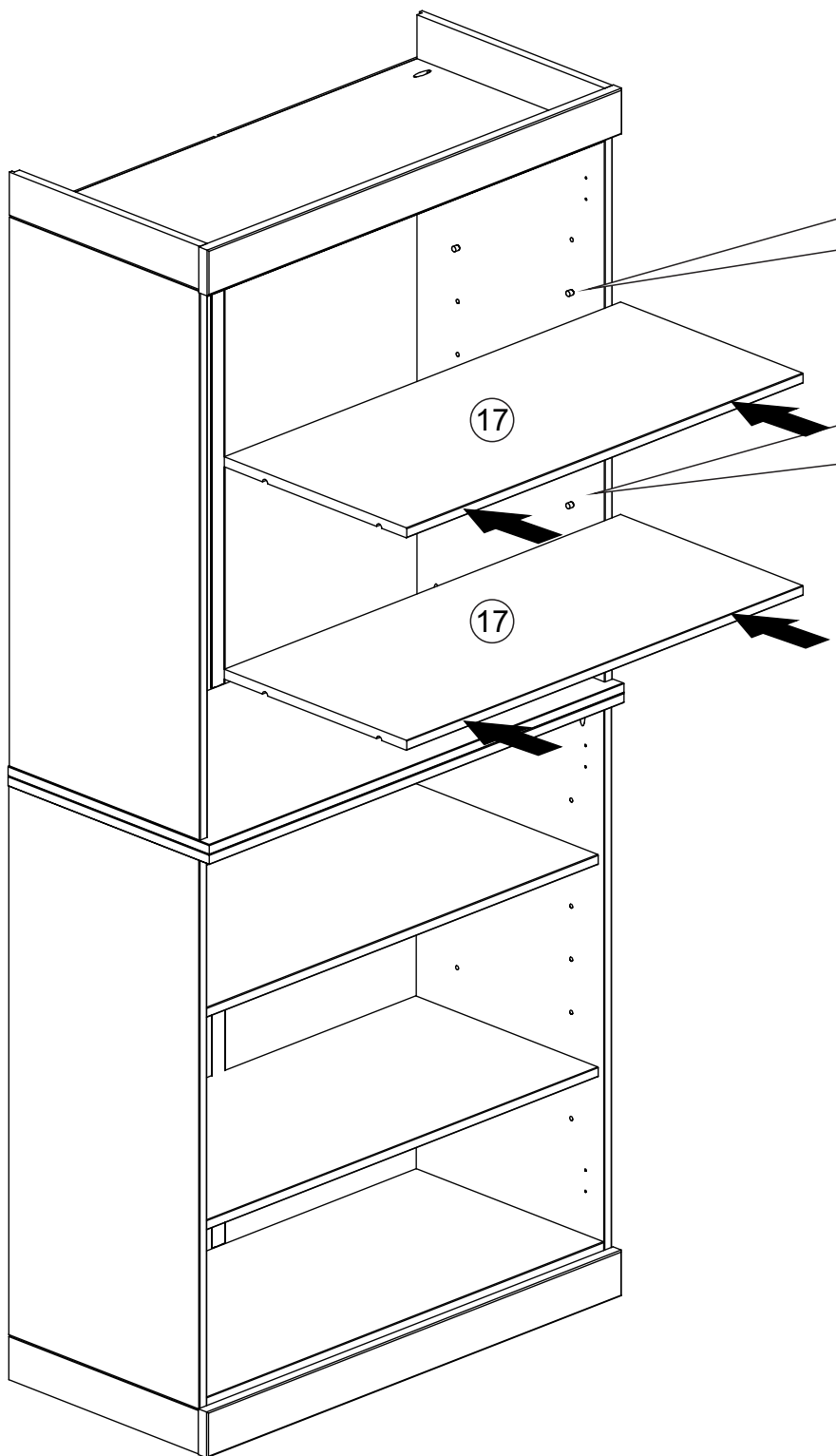
04

D48

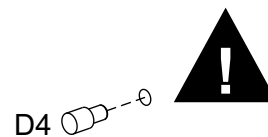


02

09)



Choose the desired shelf position and insert metal pegs.



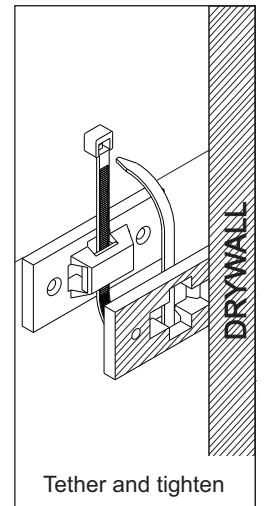
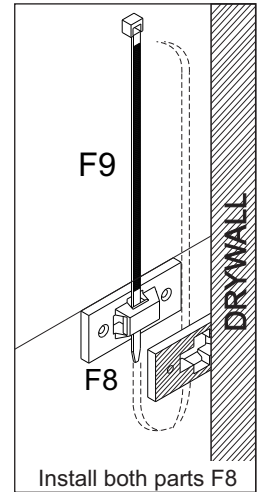
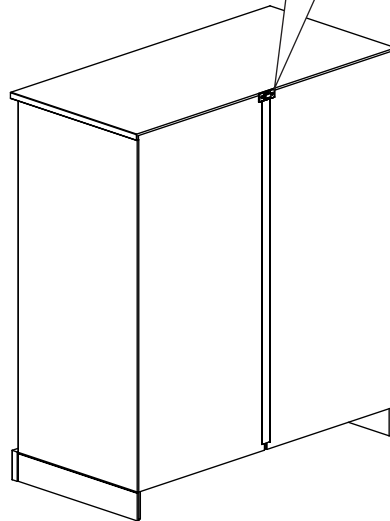
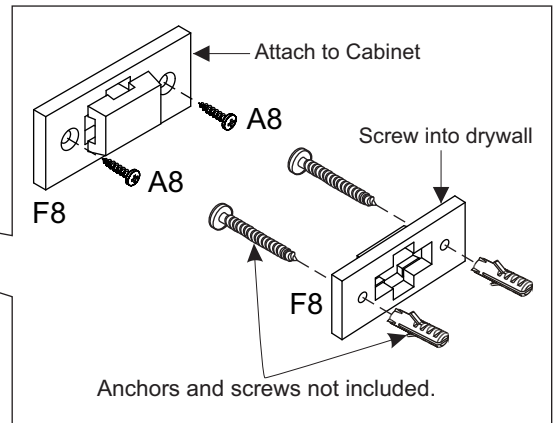
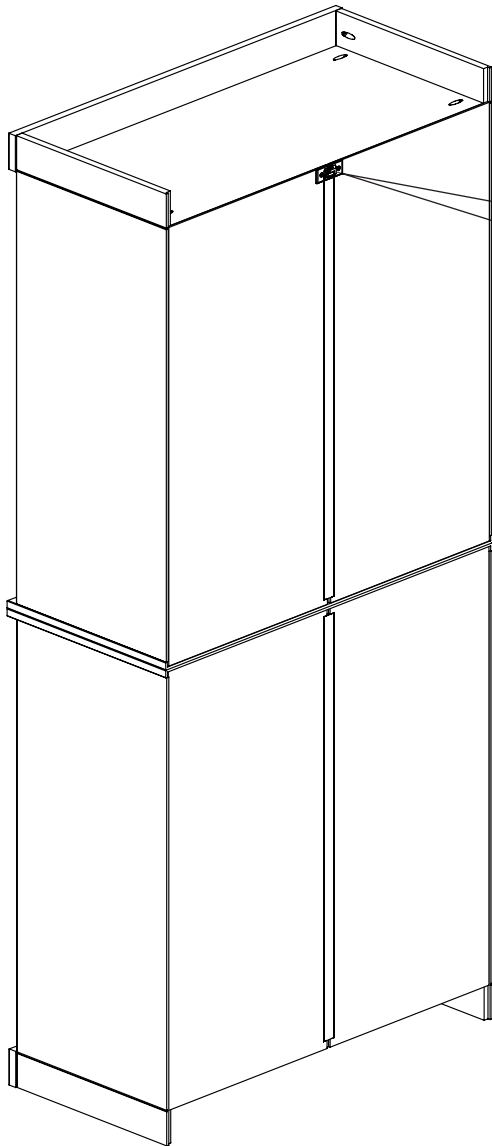
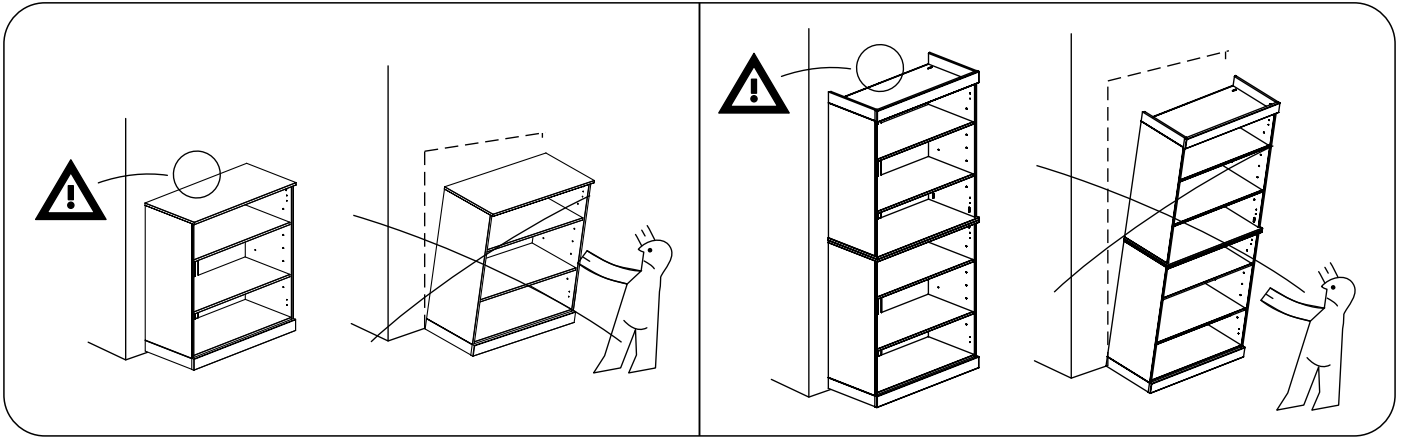
D4

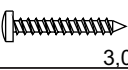
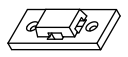



08

10)

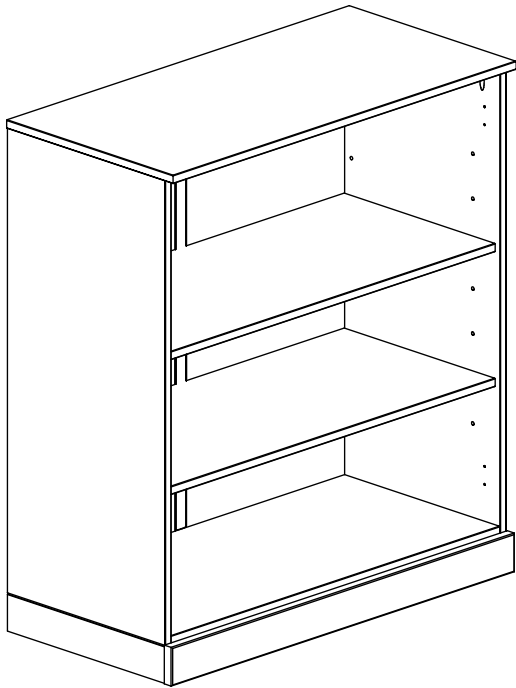
# FURNITURE TIPOVER PREVENTION KIT INSTALLATION



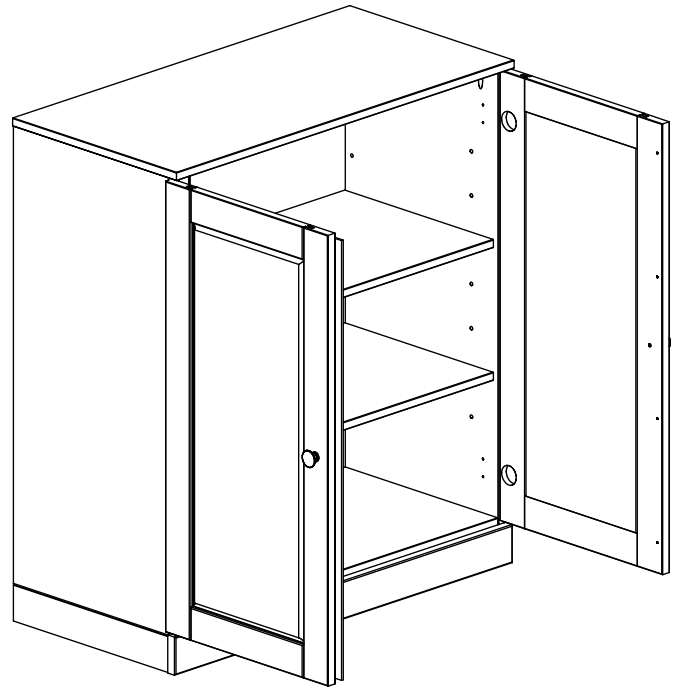
A8	 3.0x20	02
F8		02
F9		01

11) Multiple configurations are possible by purchasing additional

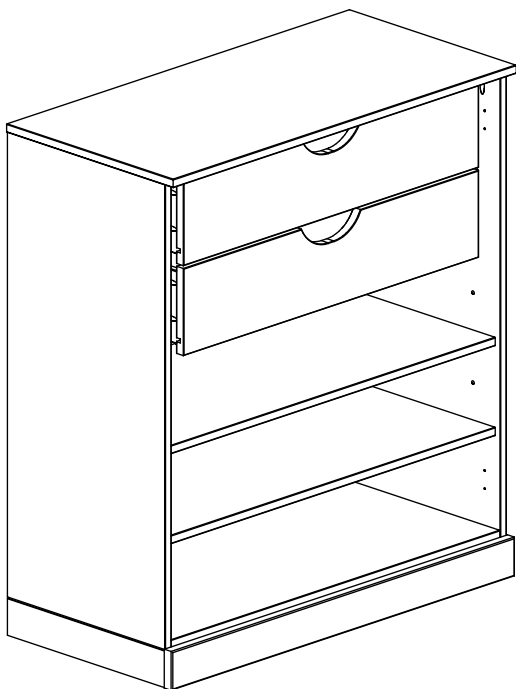
- cabinets
- raised panel doors
- clear glass doors
- drawers set



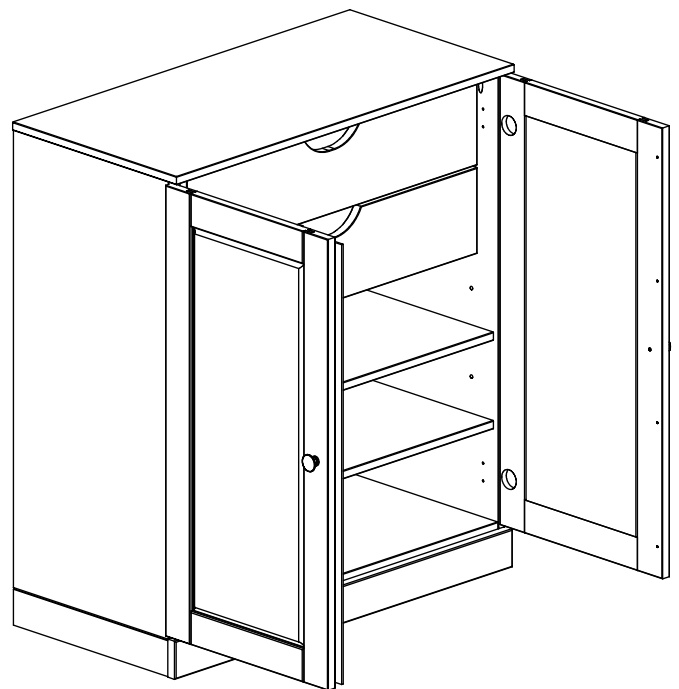
**Cabinet**



**Cabinet+Doors**



**Cabinet+Drawers**



**Cabinet+Doors+Drawers**

12) Additional possible configurations.

