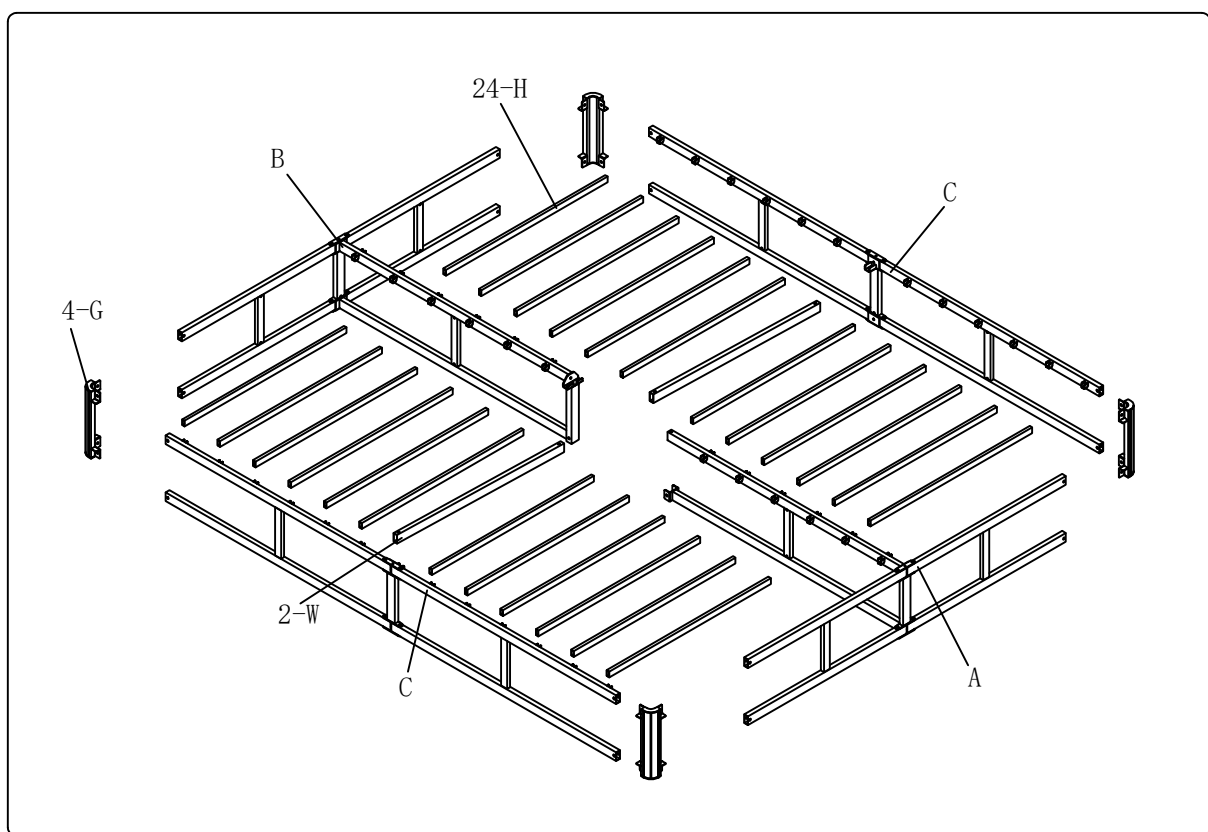
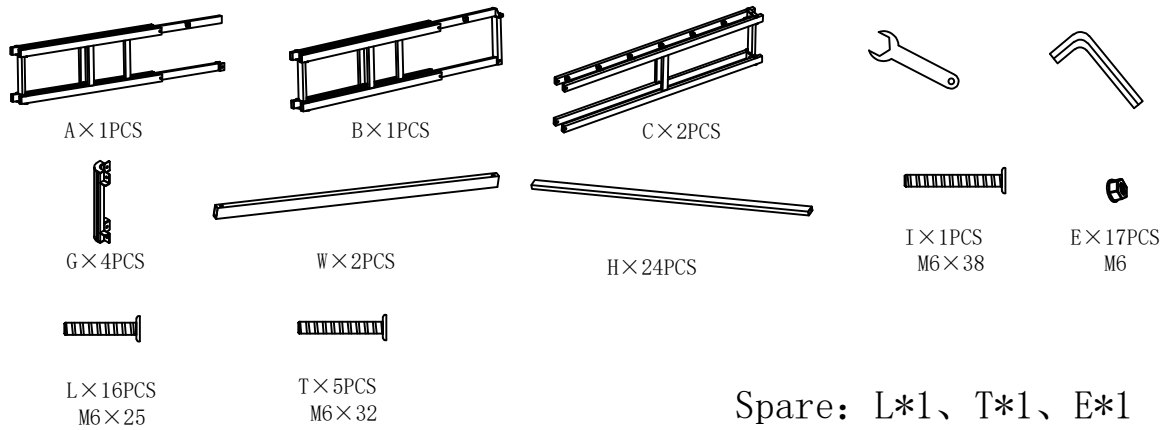


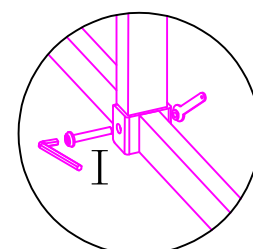
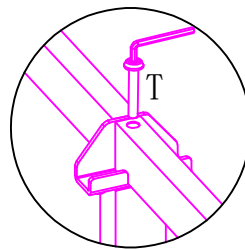
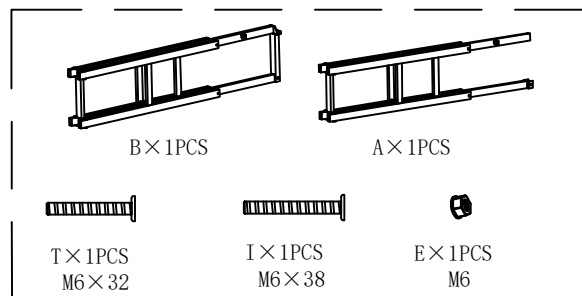
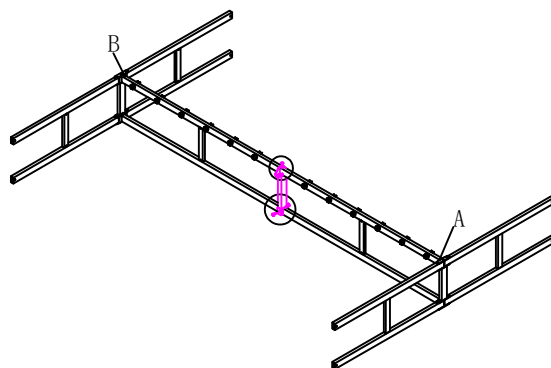
BOX SPRING

Set-up Instruction

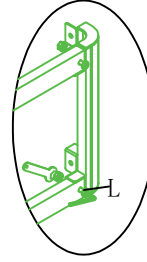
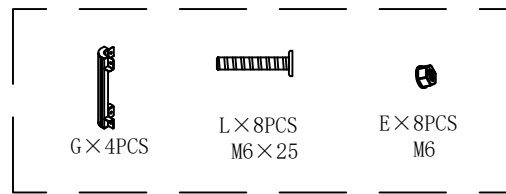
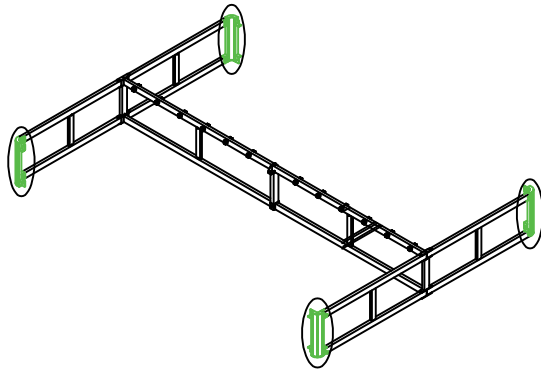
03/04/05/06
Size: Full/Queen/ King/ Cal King



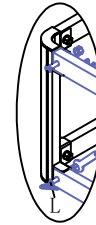
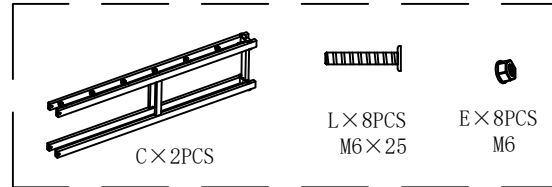
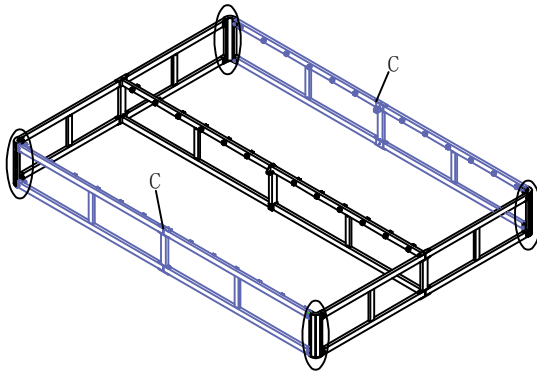
Step1: Unfold and layout parts A&B;
Joint them with screws as shown



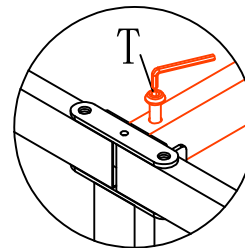
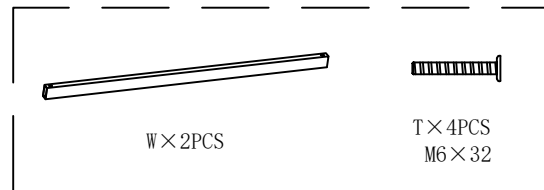
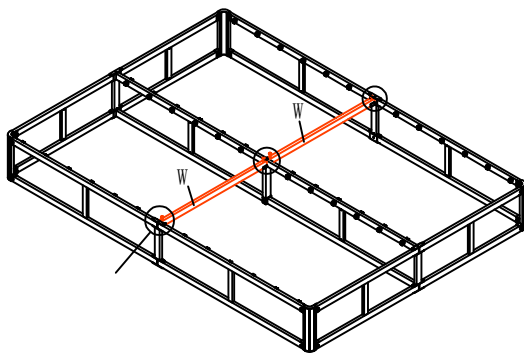
Step2:Joint four corners with screws as shown



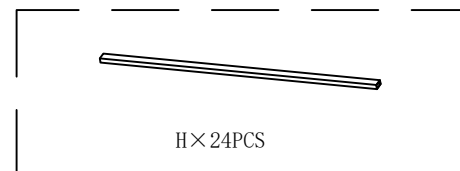
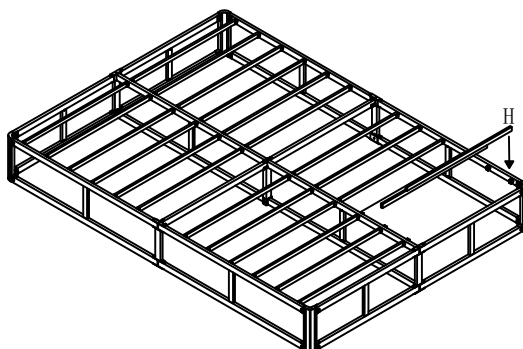
Step3:Joint parts C with screws as shown



Step4:Joint parts E with screws as shown



Step5:Insert 24 F slats



If you have any questions about the product, please don't hesitate to contact us.
You can reach us through your order. Thanks for your support!