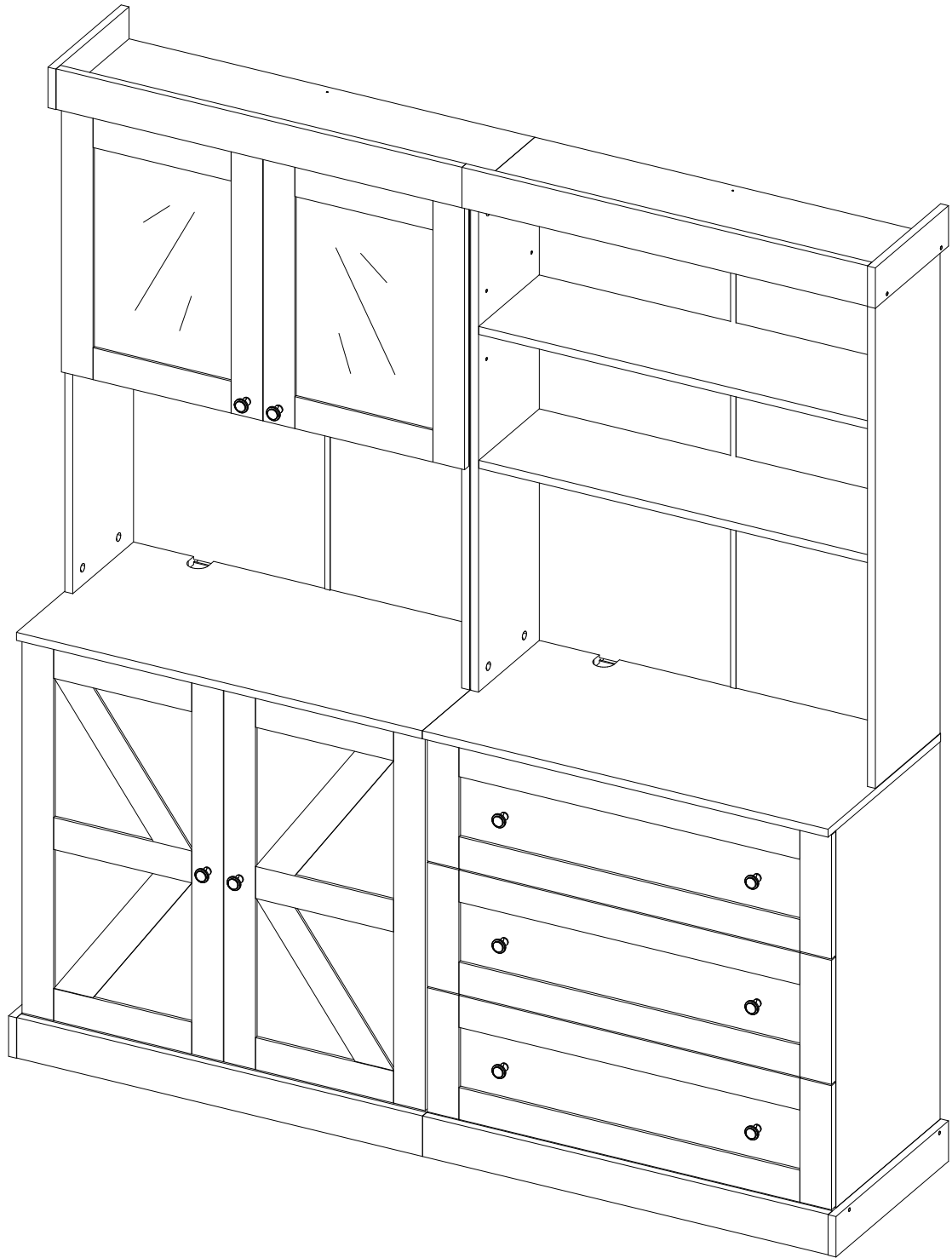


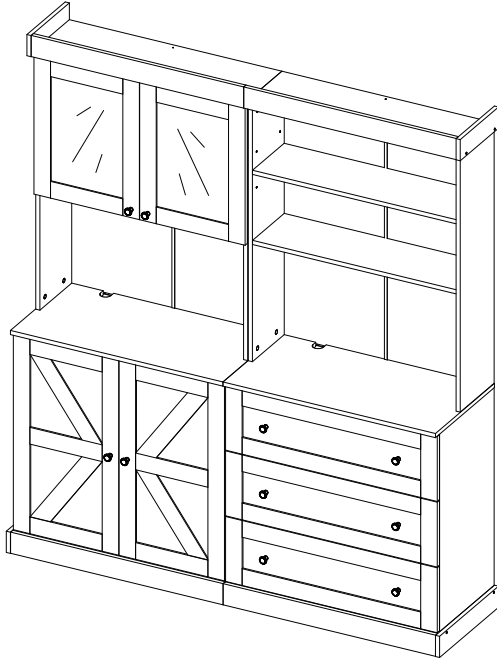
Assembly Instruction

Decorate your home, Brighten wonderful life

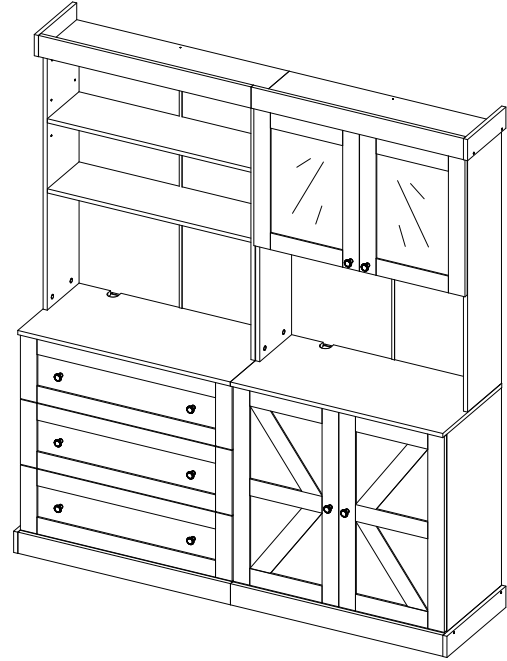


Various combination forms

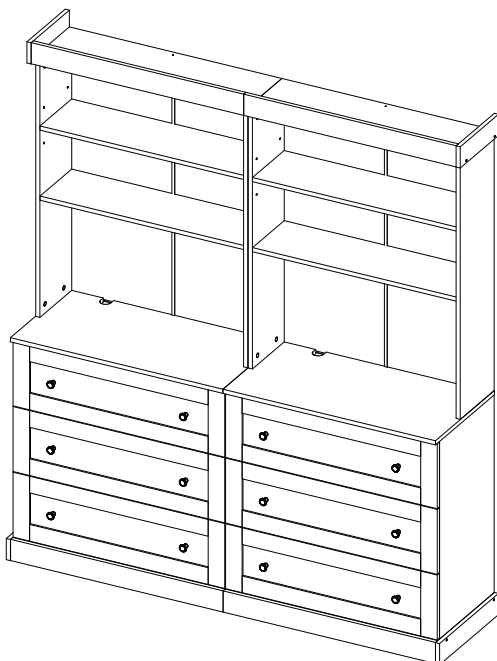
Combination mode 1



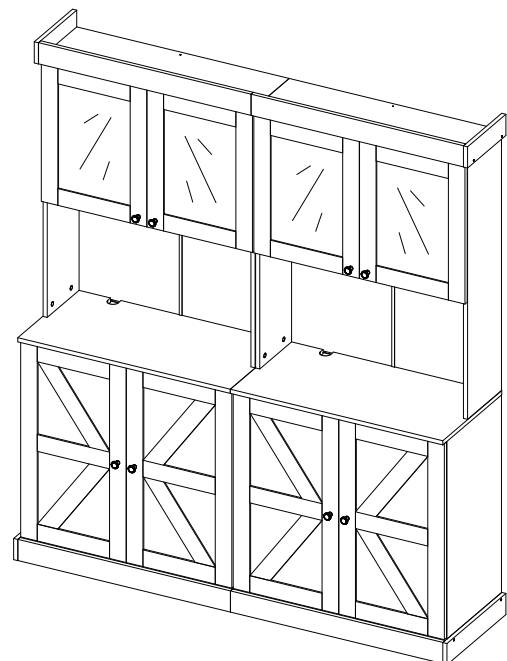
Combination mode 2



Combination mode 3



Combination mode 4



Multi-cabinet combination

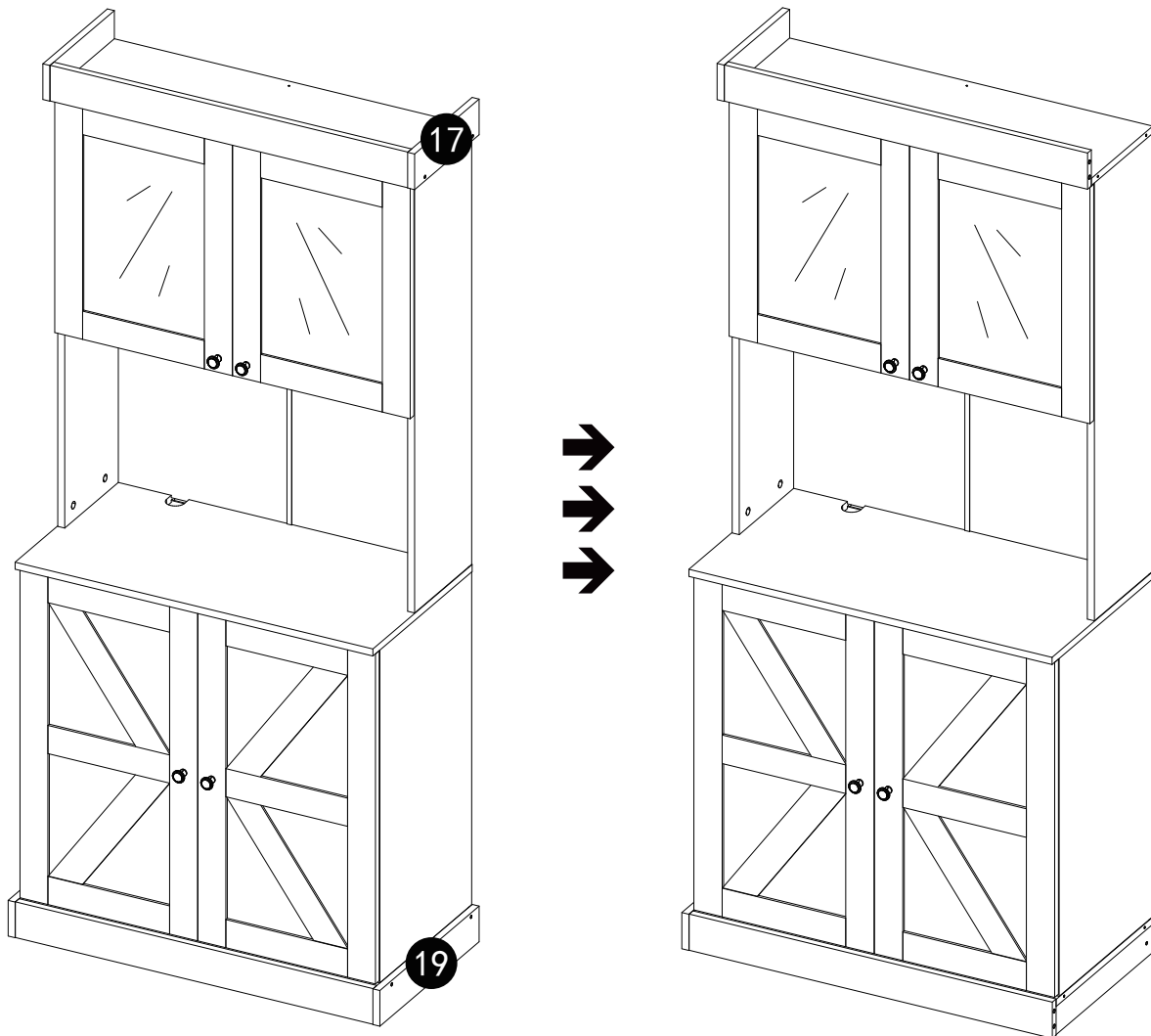


The following is installed in the first combination mode.

INSTALLATION INSTRUCTION

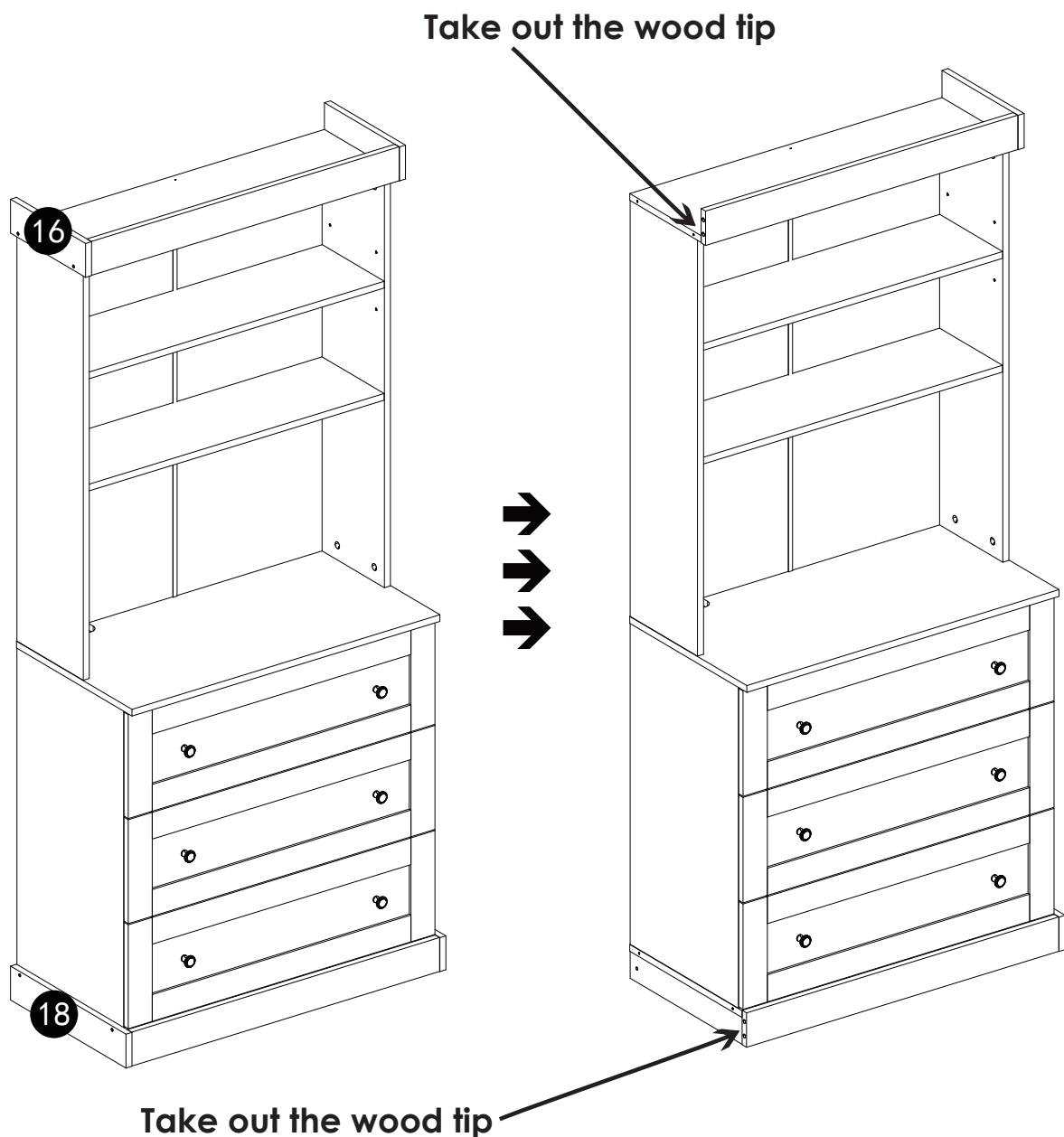
STEP 1

Unscrew the F fittings of the 19th and 17th boards on the right side of the left cabinet, and then take out the 19th and 17th boards.

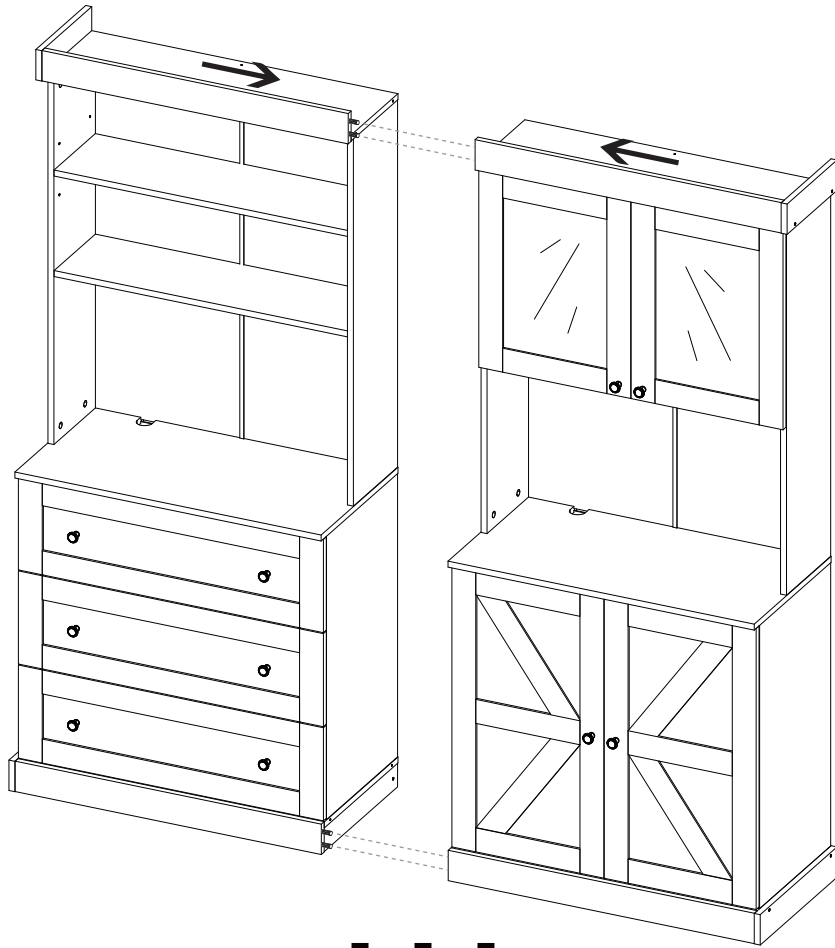


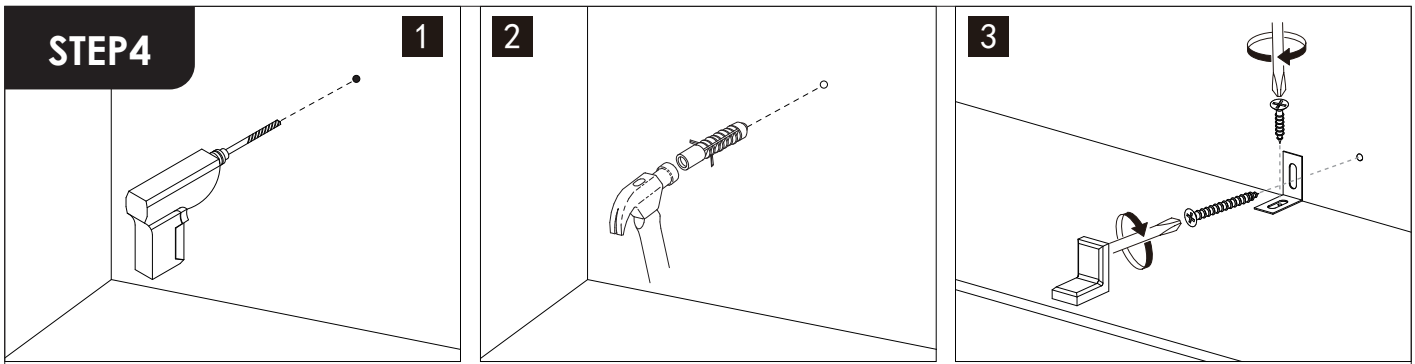
STEP 2

Unscrew the F fittings of the 16th and 18th boards on the left side of the right cabinet, and then take out the 16th and 18th boards.



STEP 3





The accessories used in this step can be those in a single cabinet.

