

# ASSEMBLY INSTRUCTIONS

## LARGE TV UNIT

**IMPORTANT: READ THESE INSTRUCTIONS CAREFULLY BEFORE ASSEMBLING OR USING YOUR LARGE TV UNIT.**

**PLEASE KEEP THESE INSTRUCTIONS FOR FUTURE REFERENCE.**

### **HEALTH & SAFETY:**

**DO NOT** use this item if any parts are missing, damaged or worn.

**DO NOT** use this item unless all fixings are secured.

Please keep small parts out of reach of children.

Always use on a level, even surface.

It is recommended that two people handle and assemble the item.

Advise you use the wall straps provided to further enhance the safety of this product. **CARE &**

### **MAINTENANCE:**

Assemble in the room of use.

To avoid damages assemble the item on a soft, clean surface

Periodically check all screws & fixings to ensure they are secure.

**DO NOT** push the item as this will damage the base.

Always lift the item with two people to reposition.

Keep any sharp objects away from the item.

This product is manufactured in pine which is a wood with natural characteristics including knots, grains, clusters or indentations.

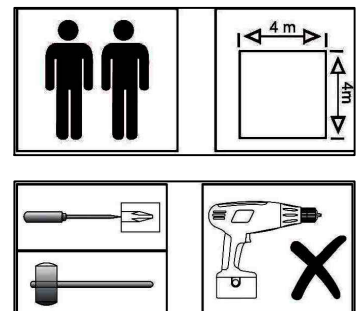
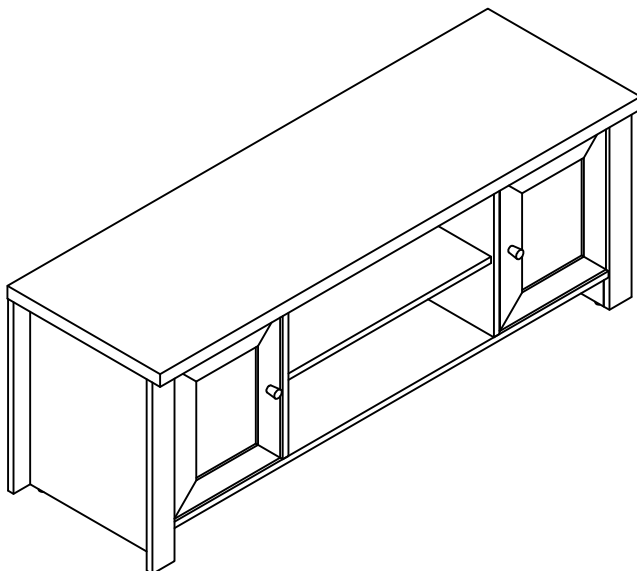
On unpacking the item you may notice an odour due to production processes but this will disappear after a period of time.

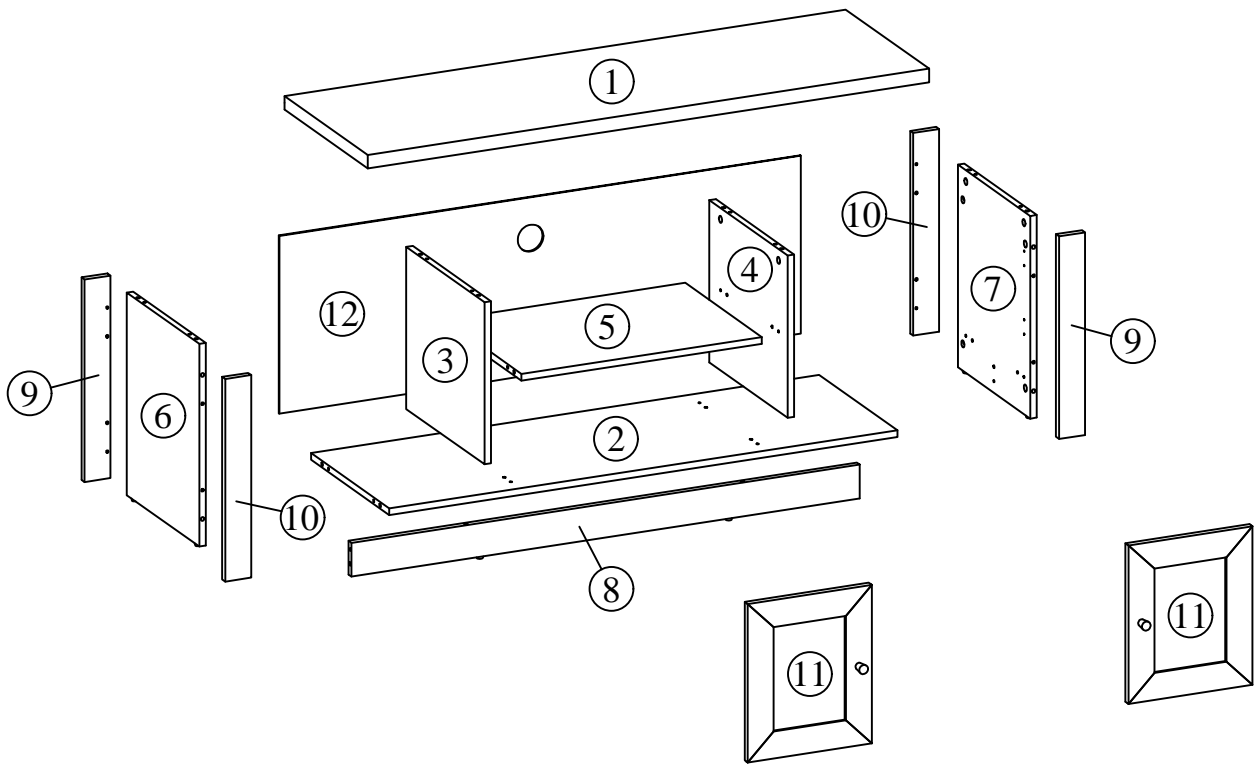
**DO NOT** place the item next to a radiator or direct sunlight - this item is susceptible to temperature change. It is recommended an even room temperature be maintained with no sudden fluctuations.

**DO NOT** place hot or cold items directly onto the surface of the item as marking will occur

For general cleaning use a duster or damp cloth (almost dry) not wet - do not use soap and water, detergents, aerosol sprays or any polish as use of these materials would invalidate any claims.

**DO NOT** place the item onto wet or damp flooring as staining may occur to the floor.







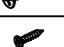







## PARTS LIST

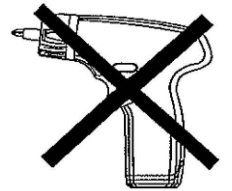
Carton 1 of 1:

Part	Description	Qty
1	Top Panel	1
2	Bottom Panel	1
3	Left Divider Panel	1
4	Right Divider Panel	1
5	Shelf Panel	1
6	Left Panel	1
7	Right Panel	1
8	Plinth Panel	1
9	Right Front & Left Back Post Panel	2
10	Left Front & Right Back Post Panel	2
11	Door	2
12	Back Panel	1

## HARDWARE LIST: Carton 1 of 1







Part	Description	Qty
A	CAM NUT 15mm 	28
B	CAM BOLT 	28
C	WOOD DOWEL M6 x 25mm 	30
D	PVC NAIL 	6
E	CSK SCREW M4 x 45mm 	4
F	CSK SCREW M4 x 16mm 	16
G	HINGES 7/8" 	4
H	T/MS SCREW M4 x 22mm 	2
I	TXM NOSE ROUND HANDLE 	2
J	NAIL 	35

\*\* You will need a screwdriver and a small mallet ( NOT provided)

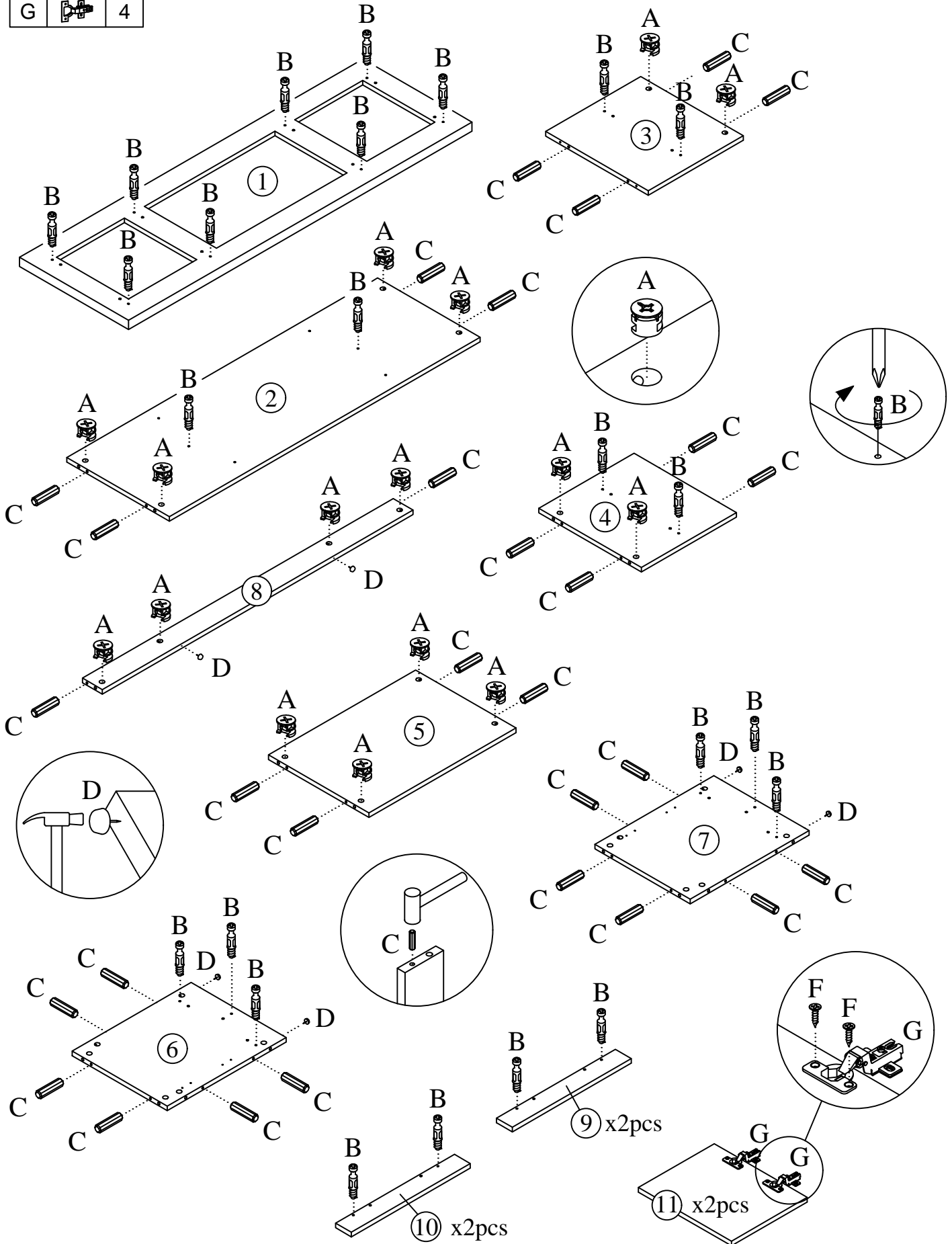


\*\* WARNING: THE USE OF POWER TOOLS TO ASSEMBLE THIS PRODUCT WILL INVALIDATE ANY CLAIM AND MAY DAMAGE THIS PRODUCT MAKING IT UNSAFE.

1

A		16
B		28
C		30
D		6
F		8
G		4

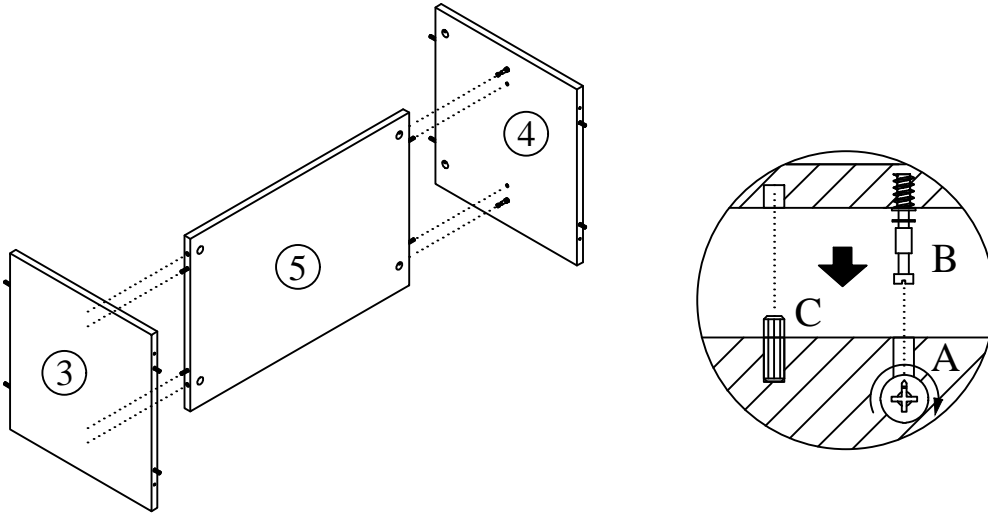
Insert hardware part A & part B using a screwdriver (not provided). Insert hardware part C using a small mallet (not provided). Insert hardware part D using a small mallet (not provided). Fix Hinges (G) using Screw (F) by screwdriver (not provided). DO NOT use any power tools as this may damage the frame and will invalidate any claim.



2

Attach the Left Divider Panel (3) and Right Divider Panel (4) to Shelf Panel (5) by screwdriver (not provided).

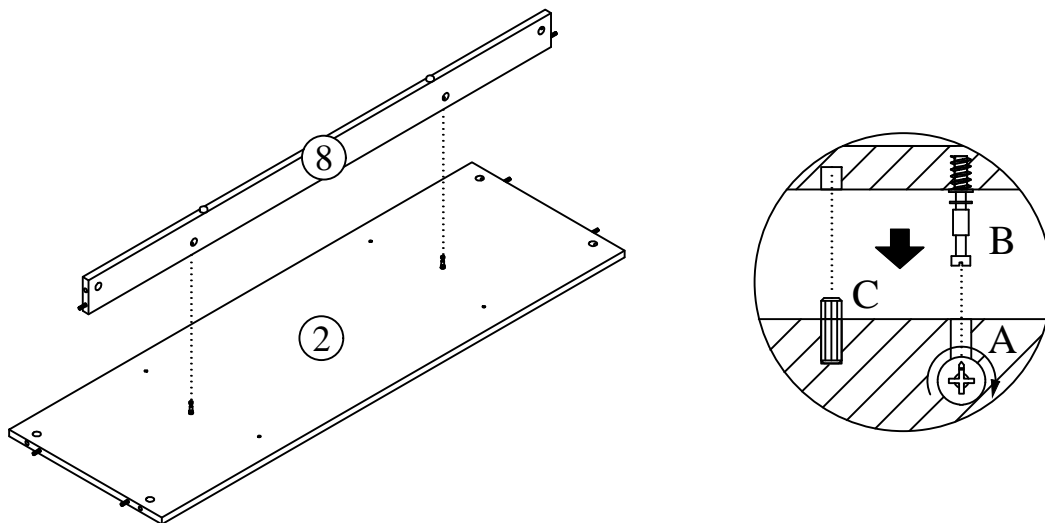
**DO NOT** use any power tools as this may damage the frame and will invalidate any claim.



3

Attach the Plinth Panel (8) to Bottom Panel (2) by screwdriver (not provided).

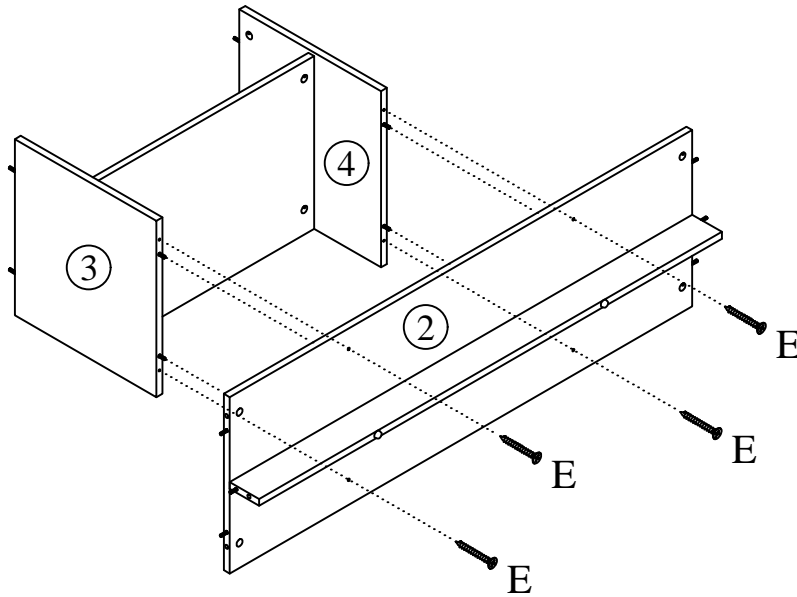
**DO NOT** use any power tools as this may damage the frame and will invalidate any claim.



4



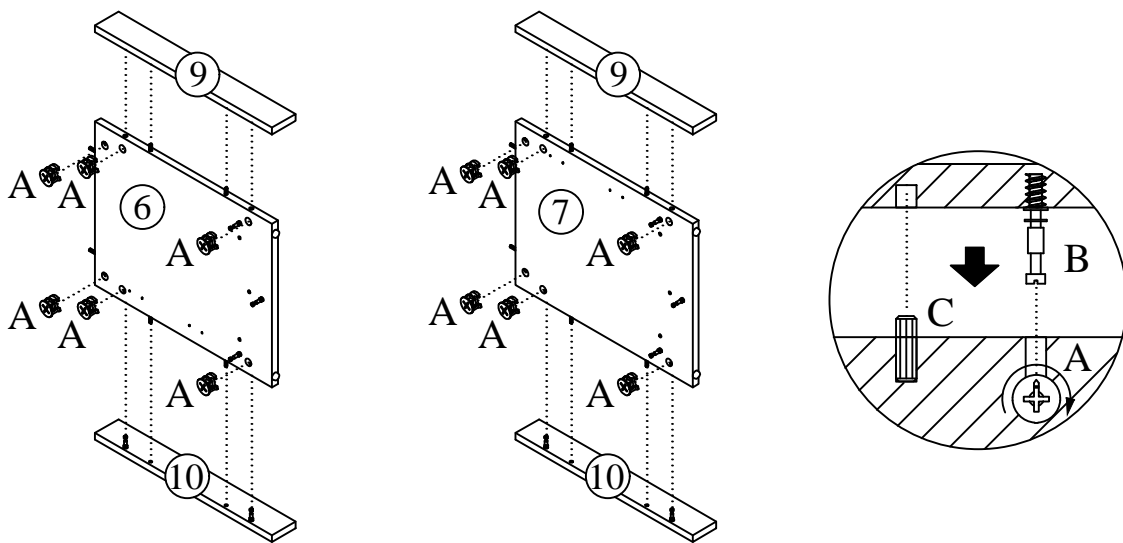
Attach the Left Divider Panel (3) and Right Divider Panel (4) to Bottom Panel (2) with Screw (E) by screwdriver (not provided).  
**DO NOT** use any power tools as this may damage the frame and will invalidate any claim.



5

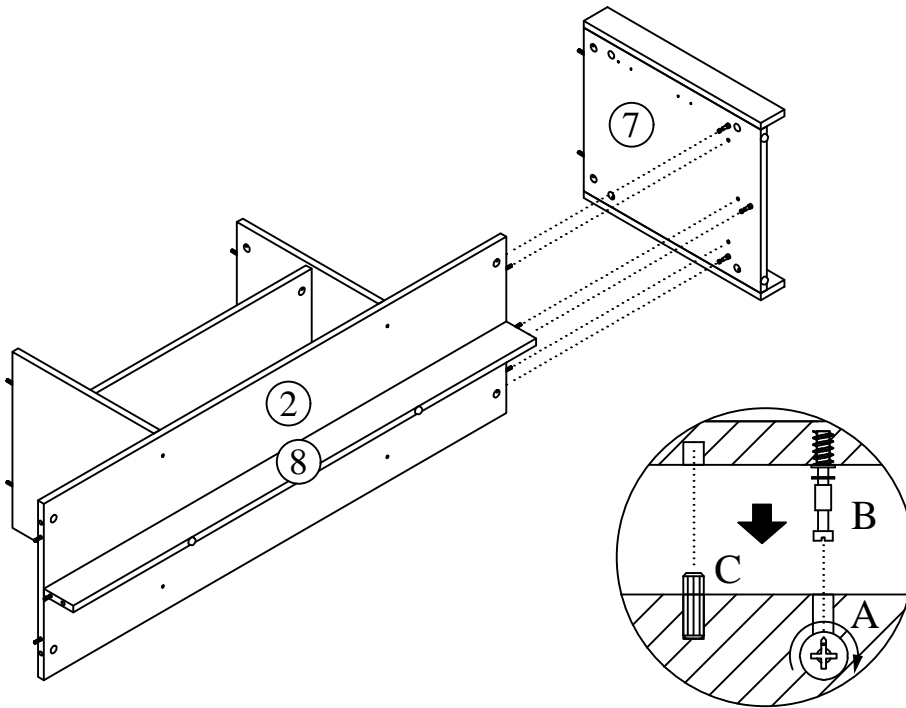


Attach the Right Front & Left Back Post Panel (9) and Left Front & Right Back Post Panel (10) to Left Panel (6) and Right Panel (7) by screwdriver (not provided).  
**DO NOT** use any power tools as this may damage the frame and will invalidate any claim.



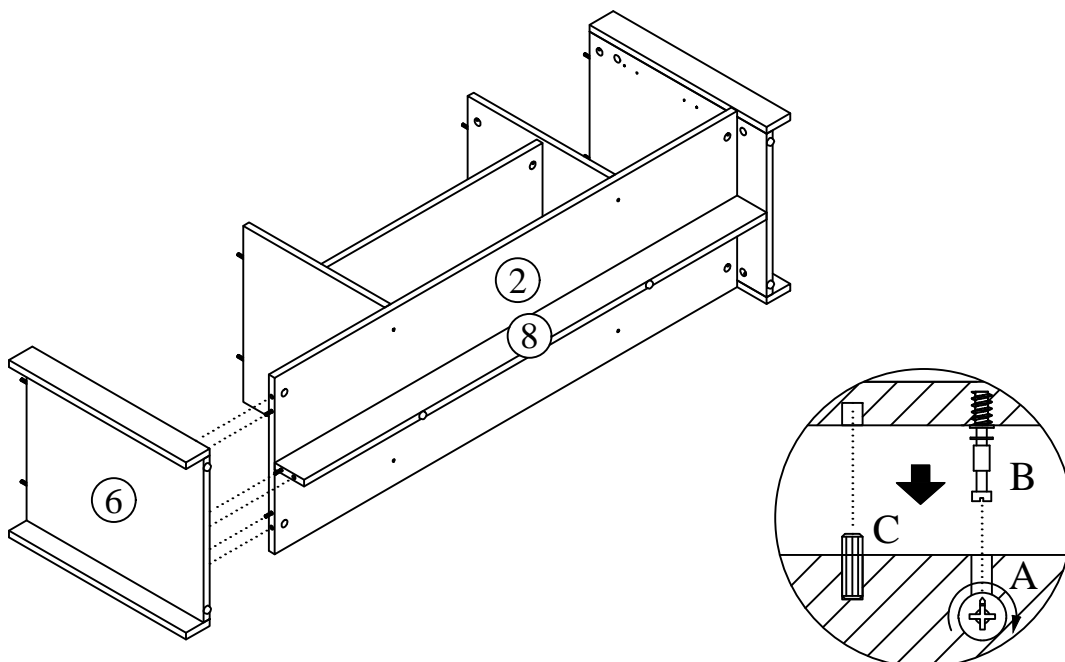
6

Attach the Right Panel (7) to Bottom Panel (2) and Plinth Panel (8) by screwdriver (not provided). **DO NOT** use any power tools as this may damage the frame and will invalidate any claim.



7

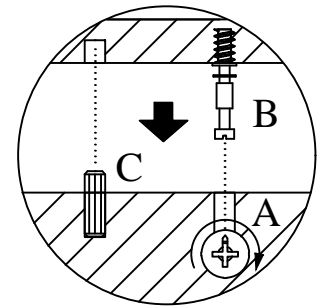
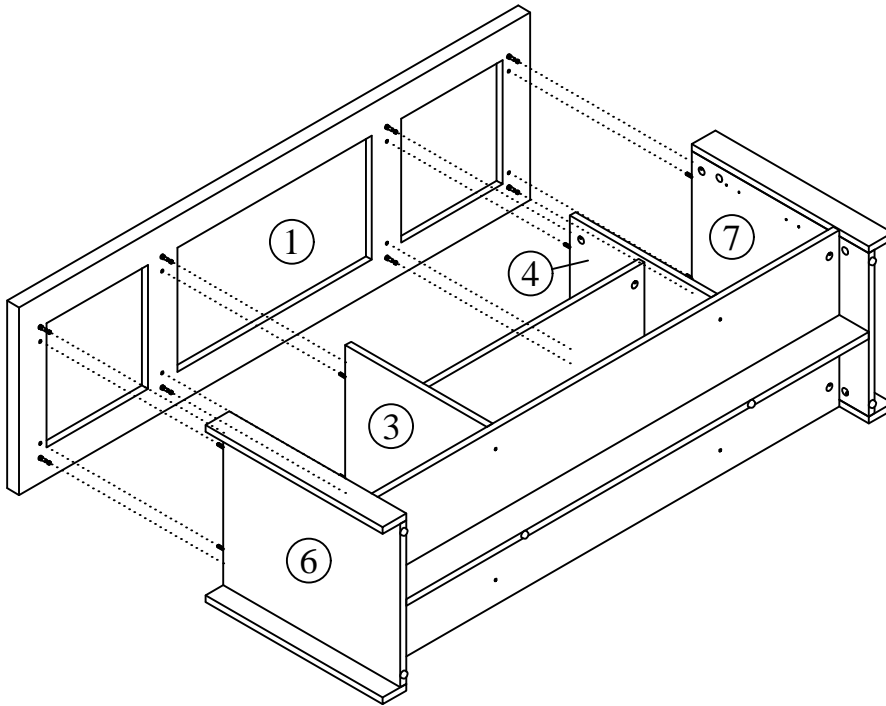
Attach the Left Panel (6) to Bottom Panel (2) and Plinth Panel (8) by screwdriver (not provided). **DO NOT** use any power tools as this may damage the frame and will invalidate any claim.



8

Attach the Top Panel (1) to Left Divider Panel (3) and Right Divider Panel (4) and Left Panel (6) and Right Panel (7) by screwdriver (not provided).

**DO NOT** use any power tools as this may damage the frame and will invalidate any claim.

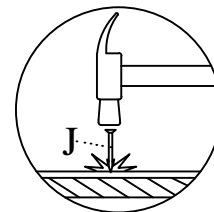
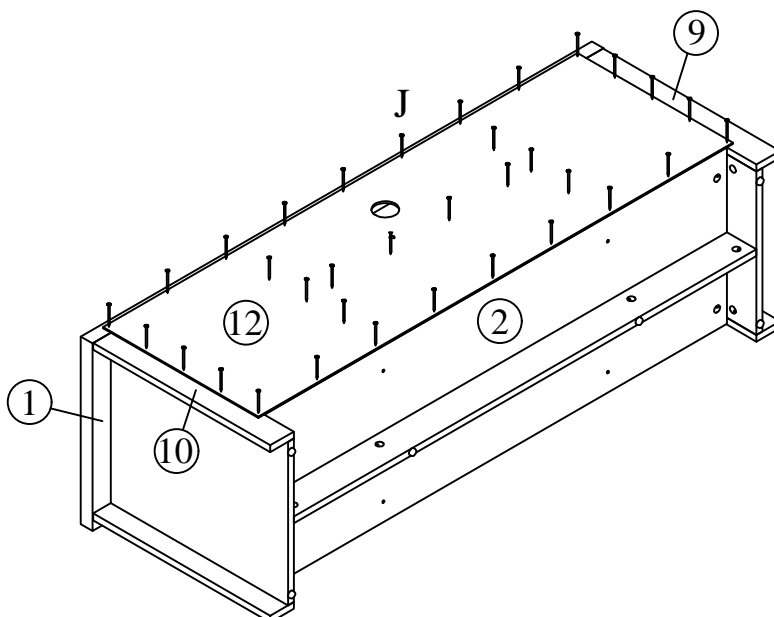


9



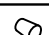


Attach the Back Panel (12) with Nail (J) by small mallet (not provided).

**DO NOT** use any power tools as this may damage the frame and will invalidate any claim.



# 10

F		8
H		2
I		2

Fix Hinges (G) onto Left Panel (6) and Right Panel (7) with Screw (F) by screwdriver (not provided).

Fix Handle (I) with Screw (H) as shown by screwdriver (not provided).

**DO NOT** use any power tools as this may damage the frame and will invalidate any claim.

