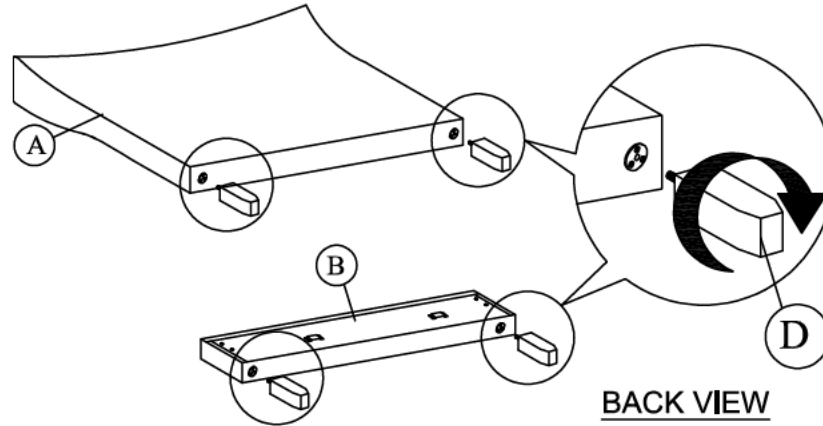


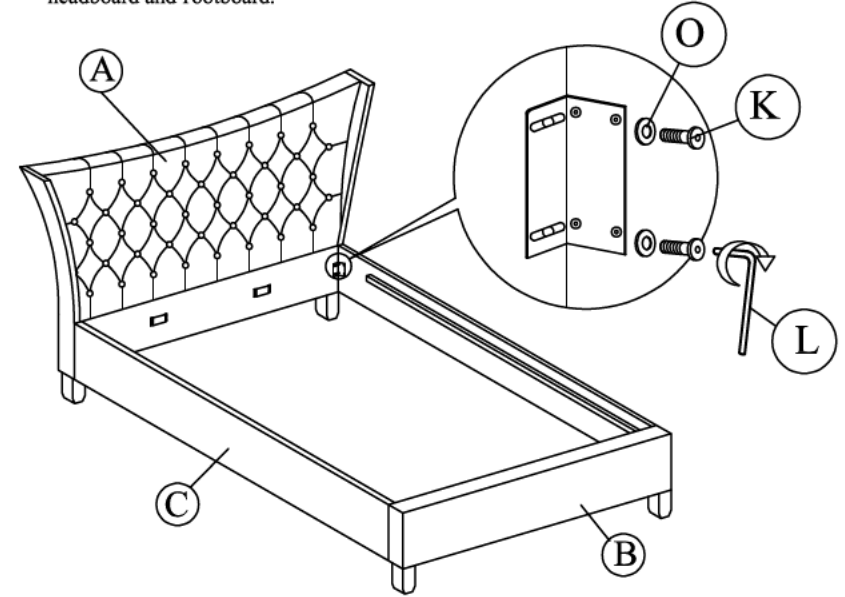
ASSEMBLY INSTRUCTION

(6')

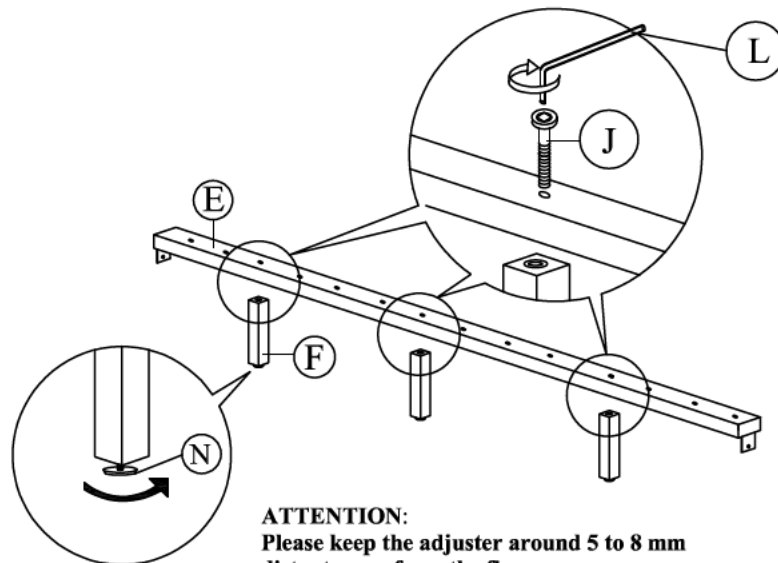
Step 1: Tighten the legs (D) to both headboard (A) and footboard (B) as shown.



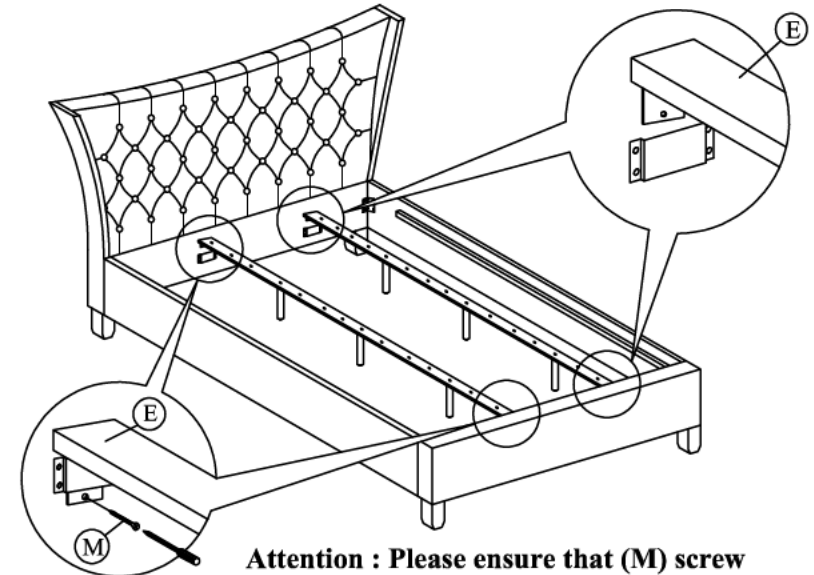
Step 2: Attach side rail to headboard and footboard and tighten the screws and flat washers to the headboard and footboard.


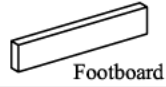

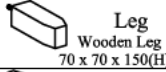


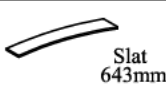




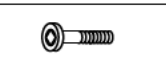
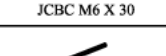
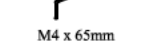
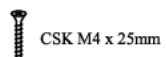


Step 3 : Attach the support legs (F) to the center rail (E) of the bed as shown.



Step 4: Slide the center rail (E) to the headboard (A) and footboard (B). Tighten screws (M) using screw driver (not included) to the headboard (A) and footboard (B).



A		1 pc
B		1 pc
C		2 pcs
D		4 pcs
E		2 pcs
F		6 pcs
G		42 pcs
H		28 pcs
I		28 pcs
J		6 pcs
K		8 pcs
L		1 pc
M		4 pcs
N		6 pcs
O		8 pcs

Step 5: Assembly of the slat holders with LVL slats as shown.

