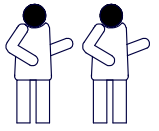
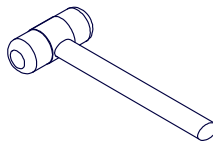
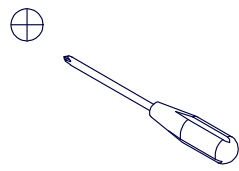


73,5
110
60



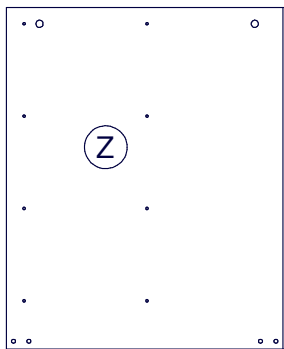
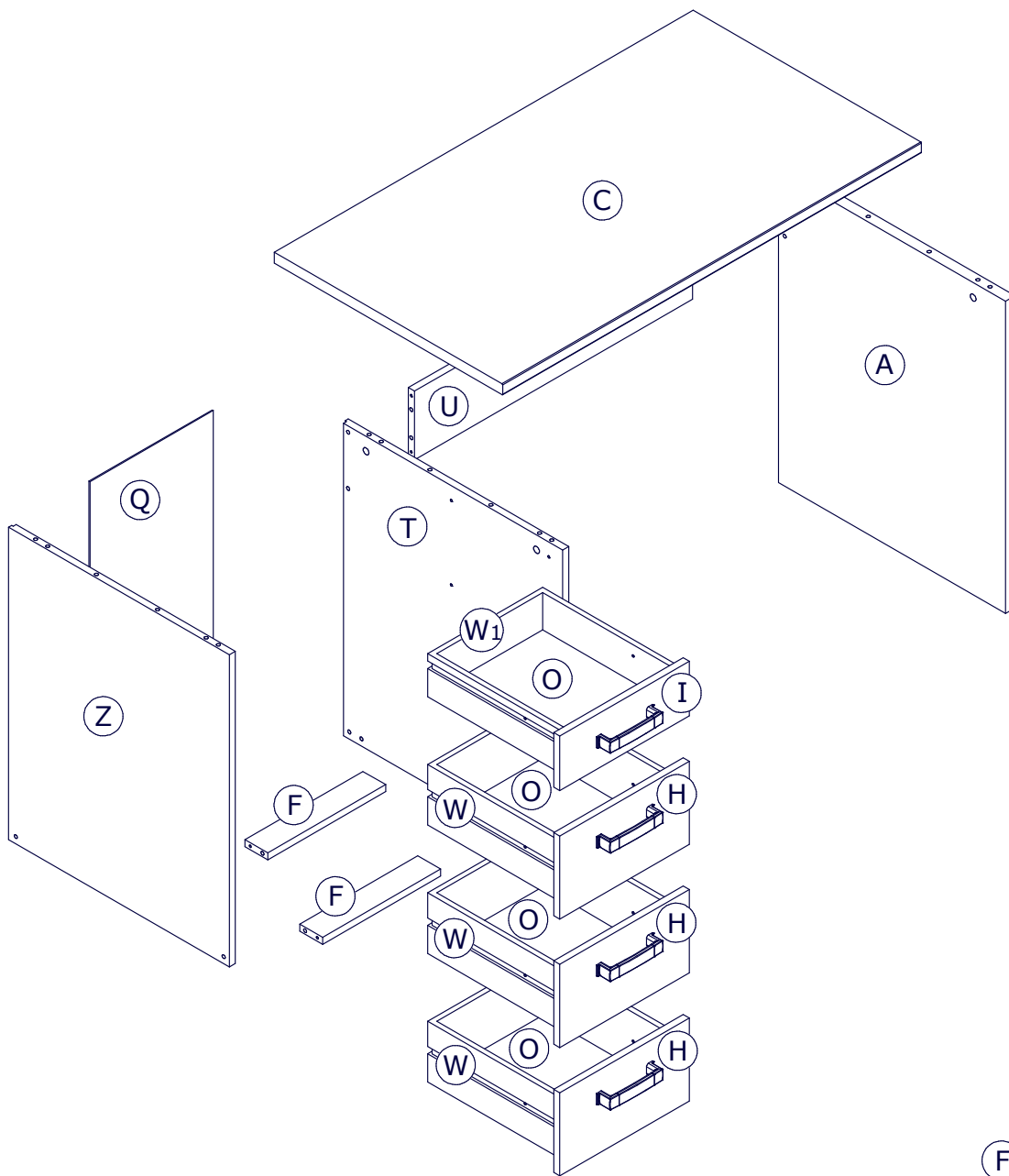


A x 1 FI5629	C x 1 CA2698	F x 2 FS2094	H x 3 CS2130	I x 1 CS2132	O x 4 SH2053	Q x 1 SH2054	T x 1 TR1633	U x 1 FS2095	W x 3 OF0187
W₁ x 1 OF0188	Z x 1 FI5628								

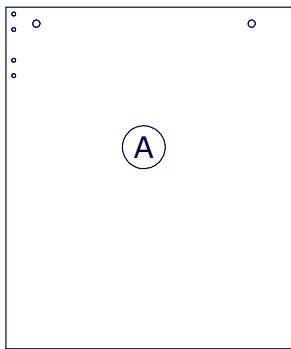
BU2728	G41 x 6 FG0041		G117 x 2 FG0117		H1 x 20 FH0001		H166 x 1 FH0166		H15 x 30 FH0015	
	H54 x 16 FH0054		P16 x 6 FP0016		T7 x 4 FT0007		T28 x 6 FT0028		T92 x 2 FT0092	
	M99 x 4 FM0099		A10 x 8 FA0010							

mm	0	10	20	30	40	50	60	
								V5 x 16 FV0005
								V35 x 8 FV0032
								V38 x 8 FV0038
								V45 x 6 FV0045
								V57 x 2 FV0057

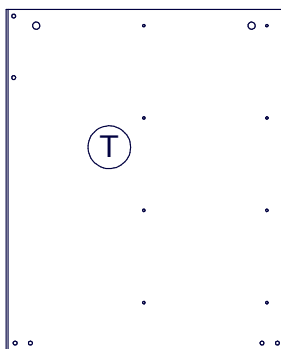
BU2728							



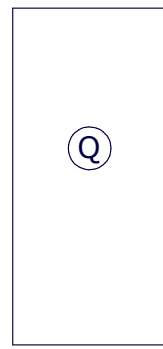
• **FI5628**
710x580x16mm



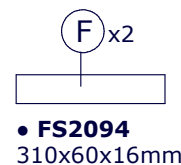
• **FI5629**
710x596x25mm



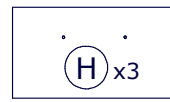
• **TR1633**
710x580x16mm



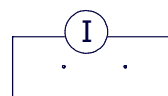
• **SH2054**
700x324x3mm



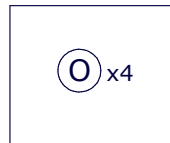
• **FS2094**
310x60x16mm



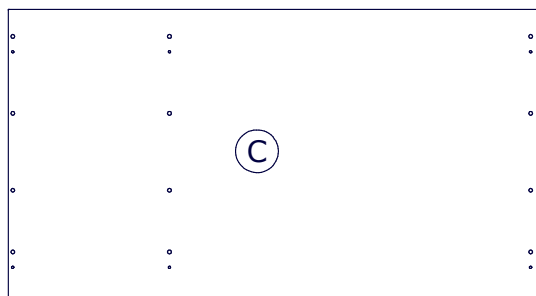
• **CS2130**
340x189x16mm



• **CS2132**
340x124x16mm



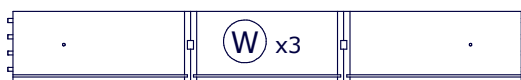
• **SH2053**
351x289x3mm



• **CA2698**
1100x600x25mm



• **OF0188**
350x302x350mm H.98mm



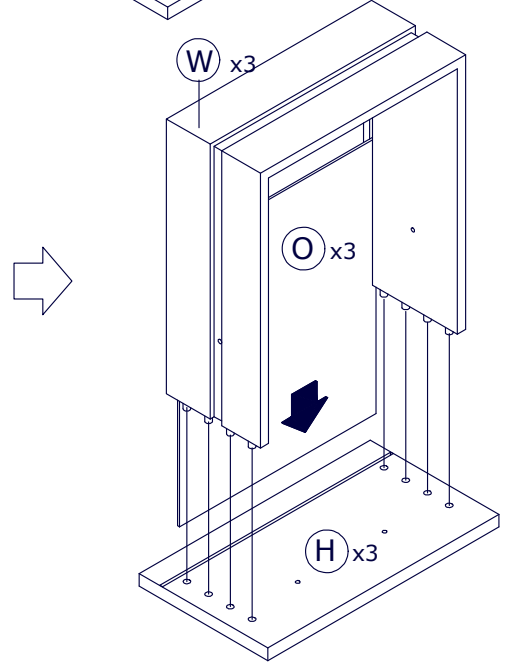
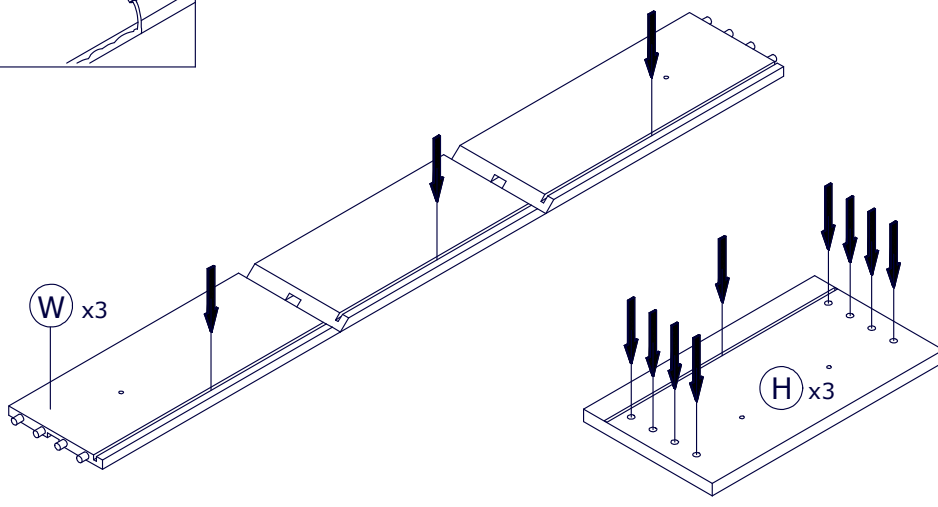
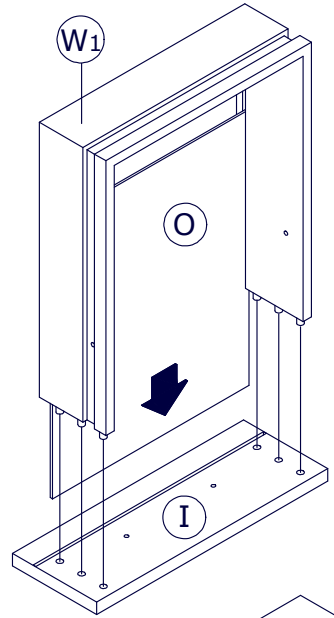
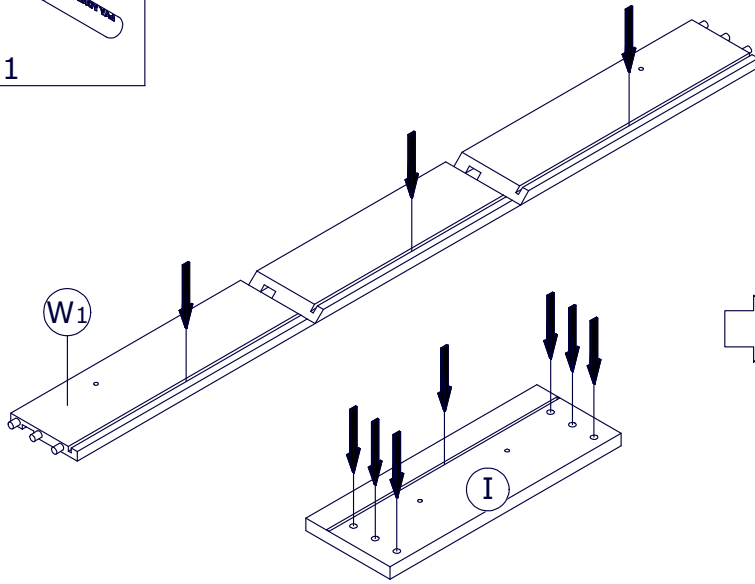
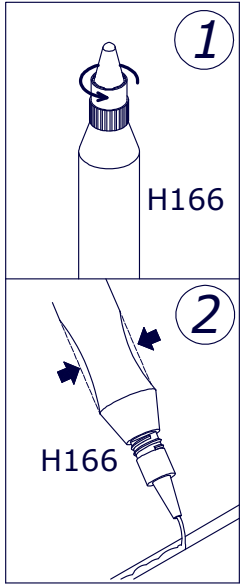
• **OF0187**
350x302x350mm H.138mm



• **FS2095**
731x156x16mm

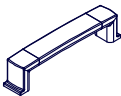
1

H166 x 1

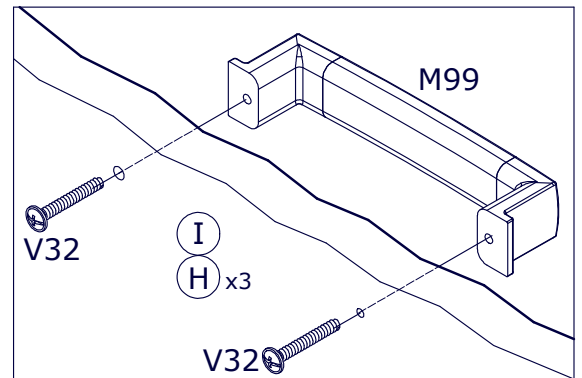
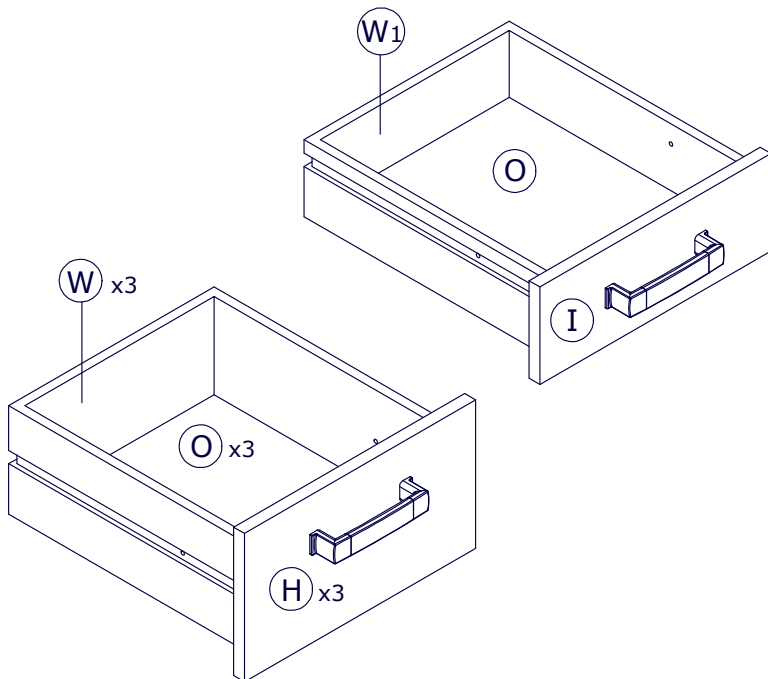
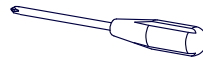
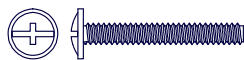


2

M99 x 4

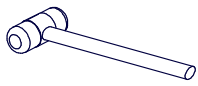


V32 x 8

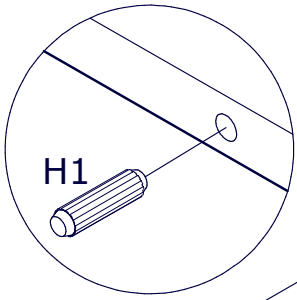


3

H1 x 20



F x2



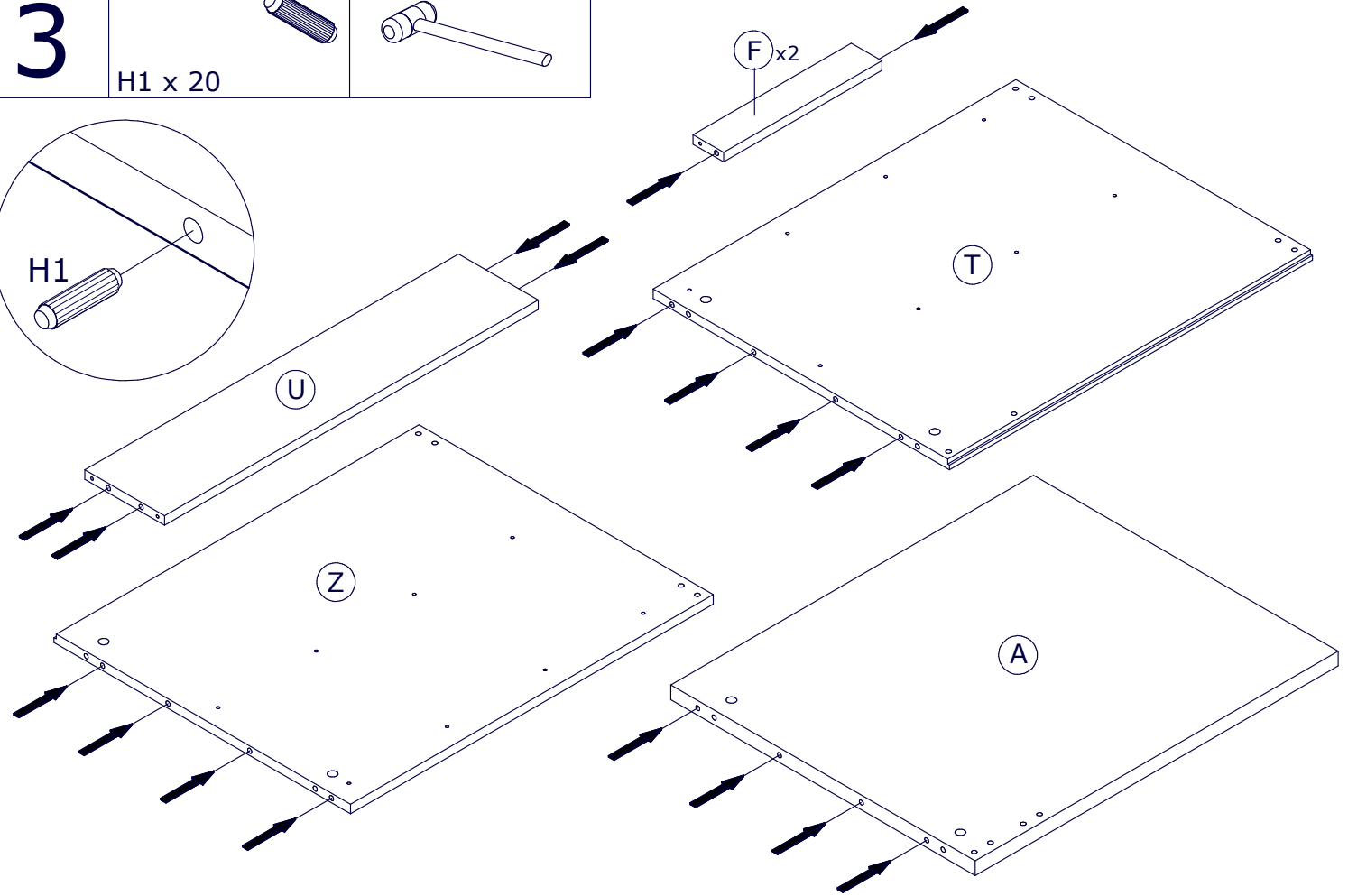
H1

U

T

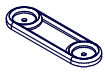
Z

A



4

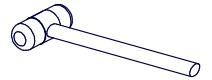
P16 x 6



H54 x 16



H15 x 12



P16

H54

H54

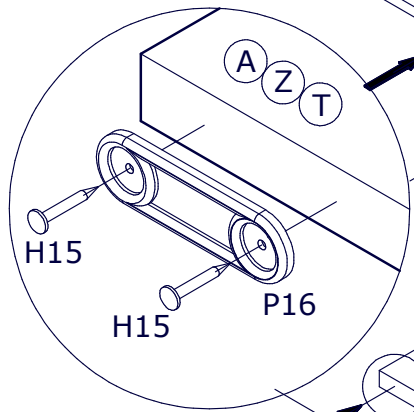
Z

T

H54

P16

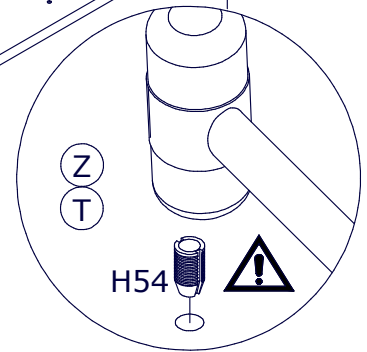
A



H15

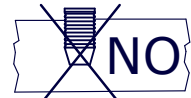
H15

P16



Z
T

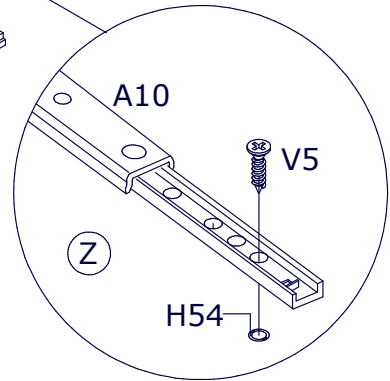
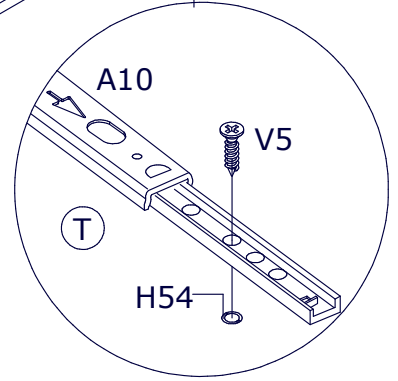
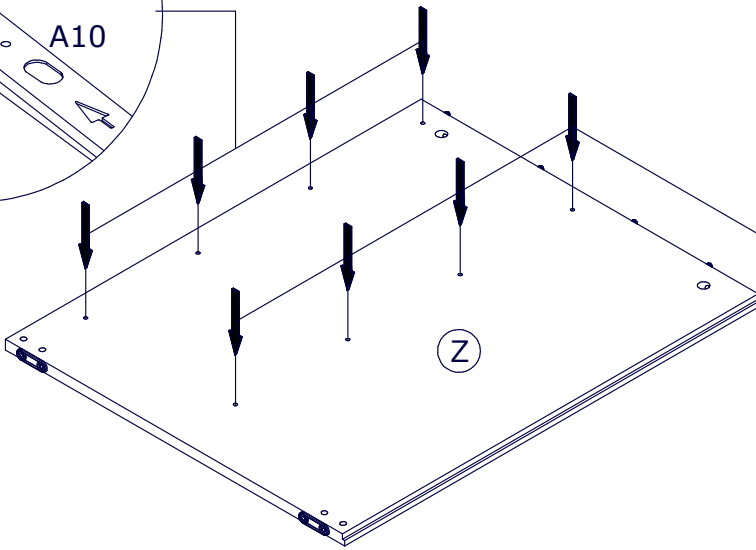
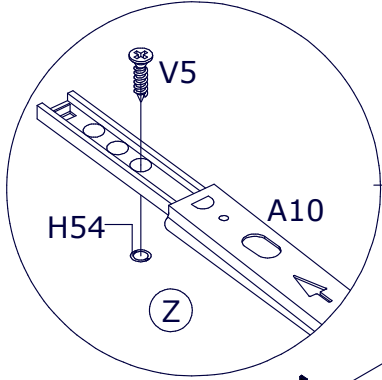
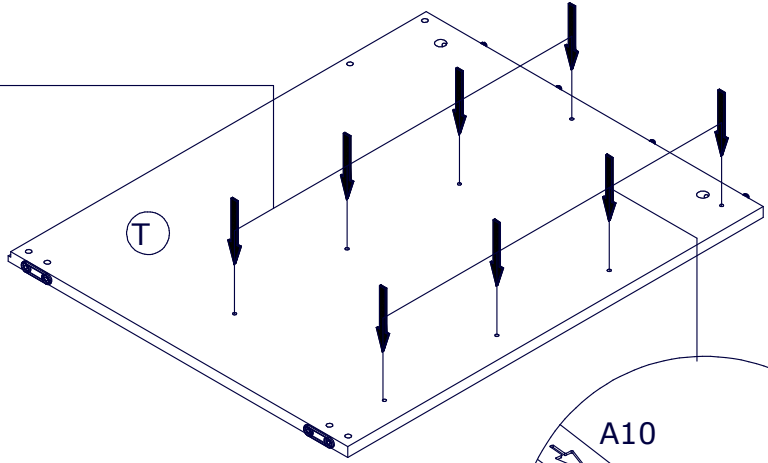
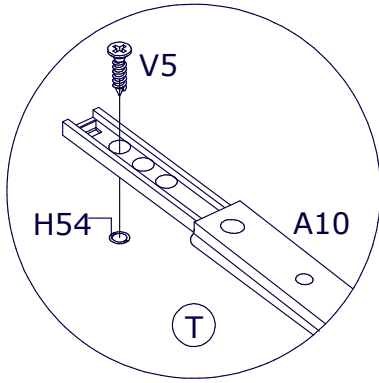
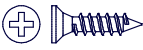
H54



P16

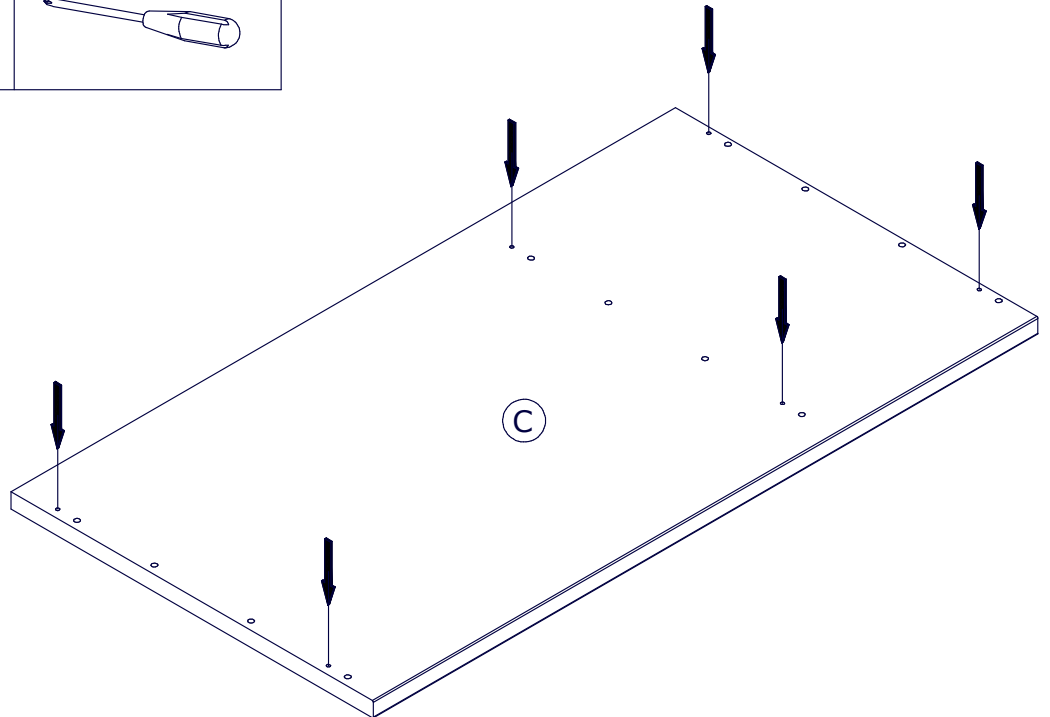
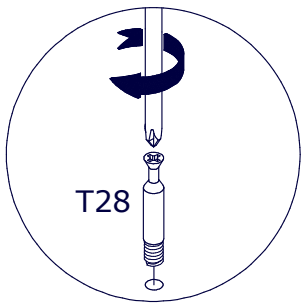
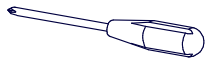
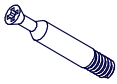
5

V5 x 12



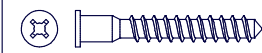
6

T28 x 6

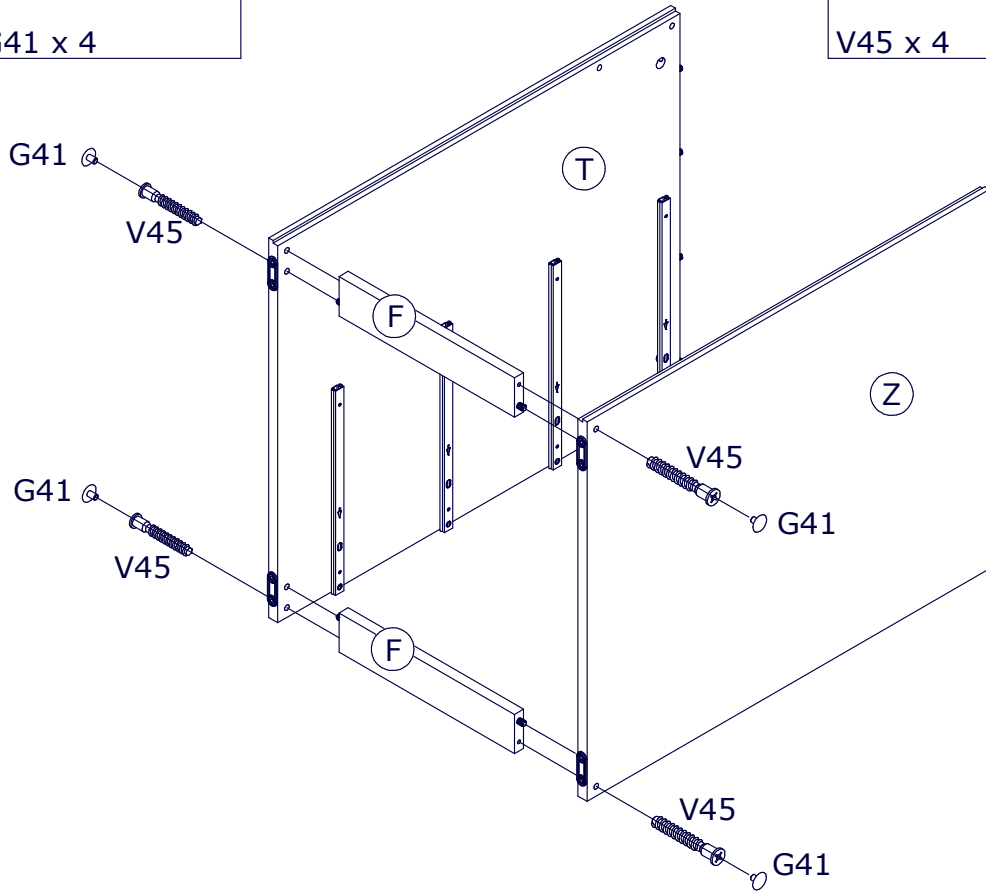
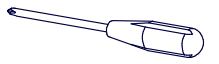


7

G41 x 4



V45 x 4

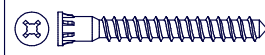


8

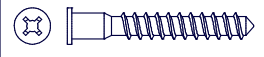
G41 x 2
 V57 x 2



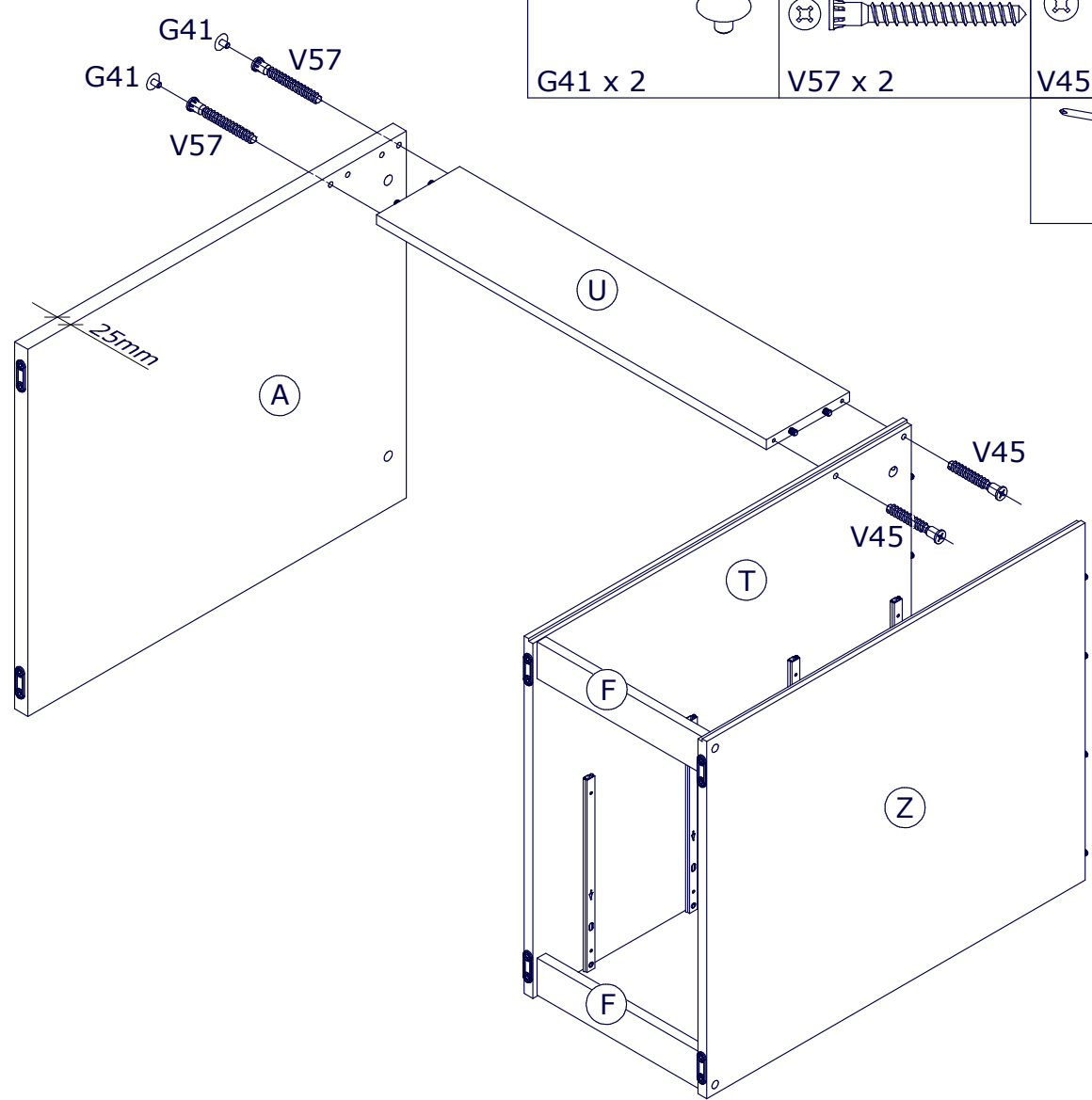
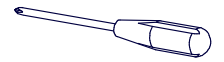
G41 x 2



V57 x 2



V45 x 2

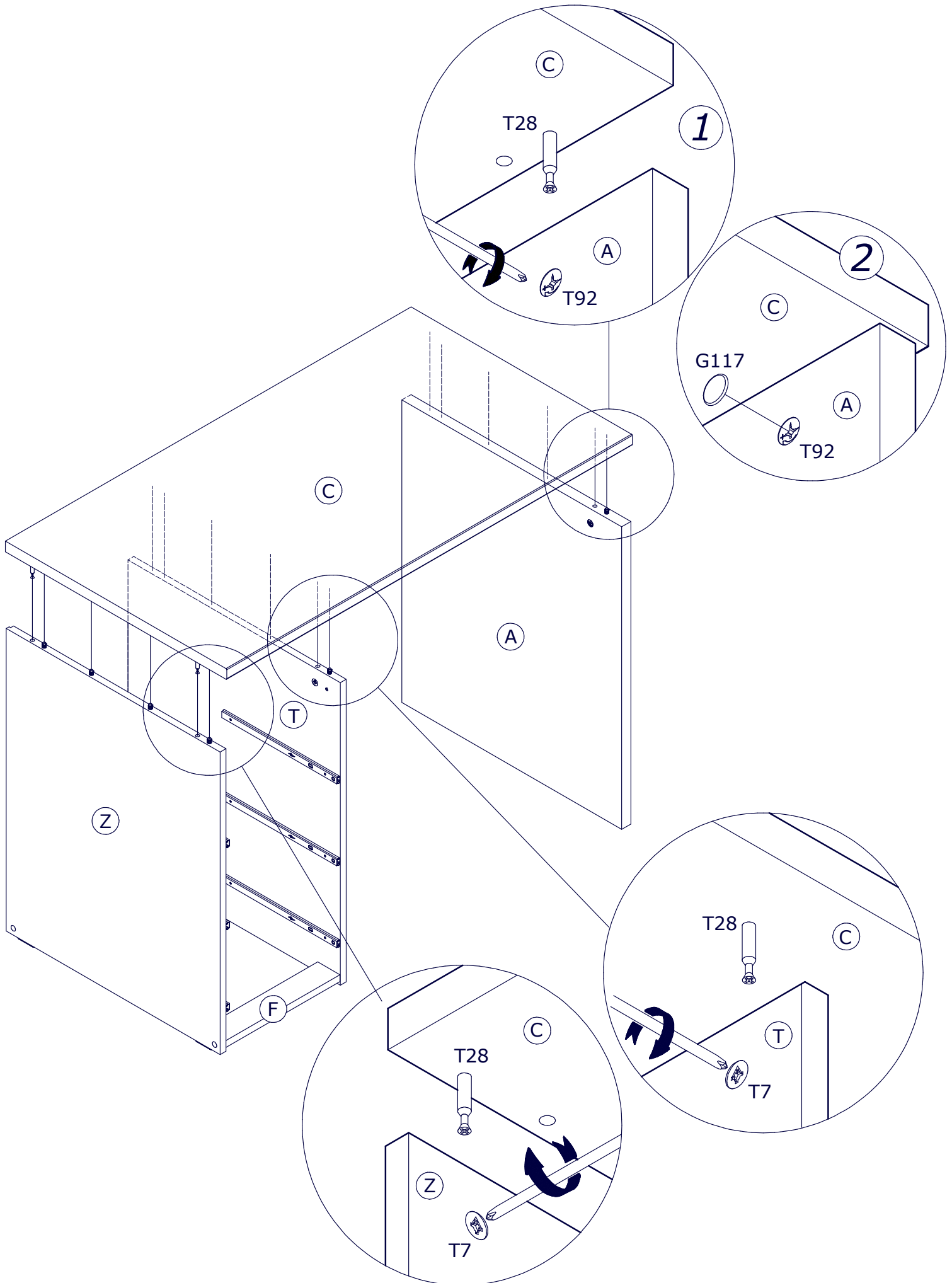
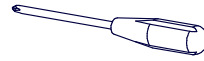


9

G117 x 2

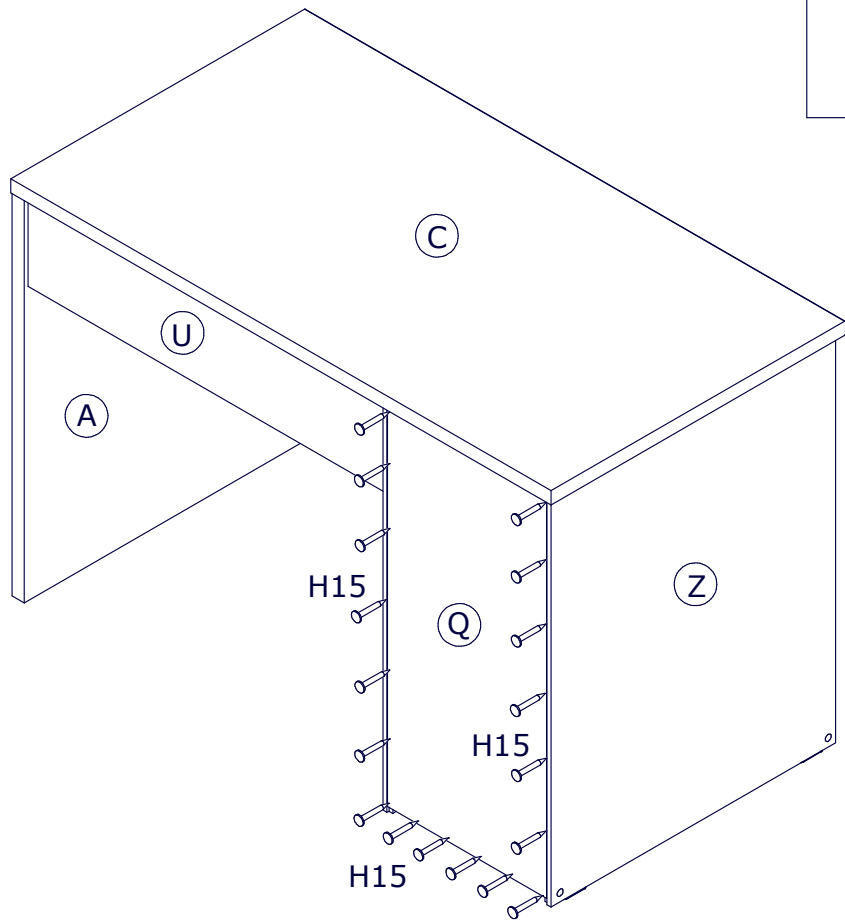
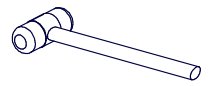
T92 x 2

T7 x 4



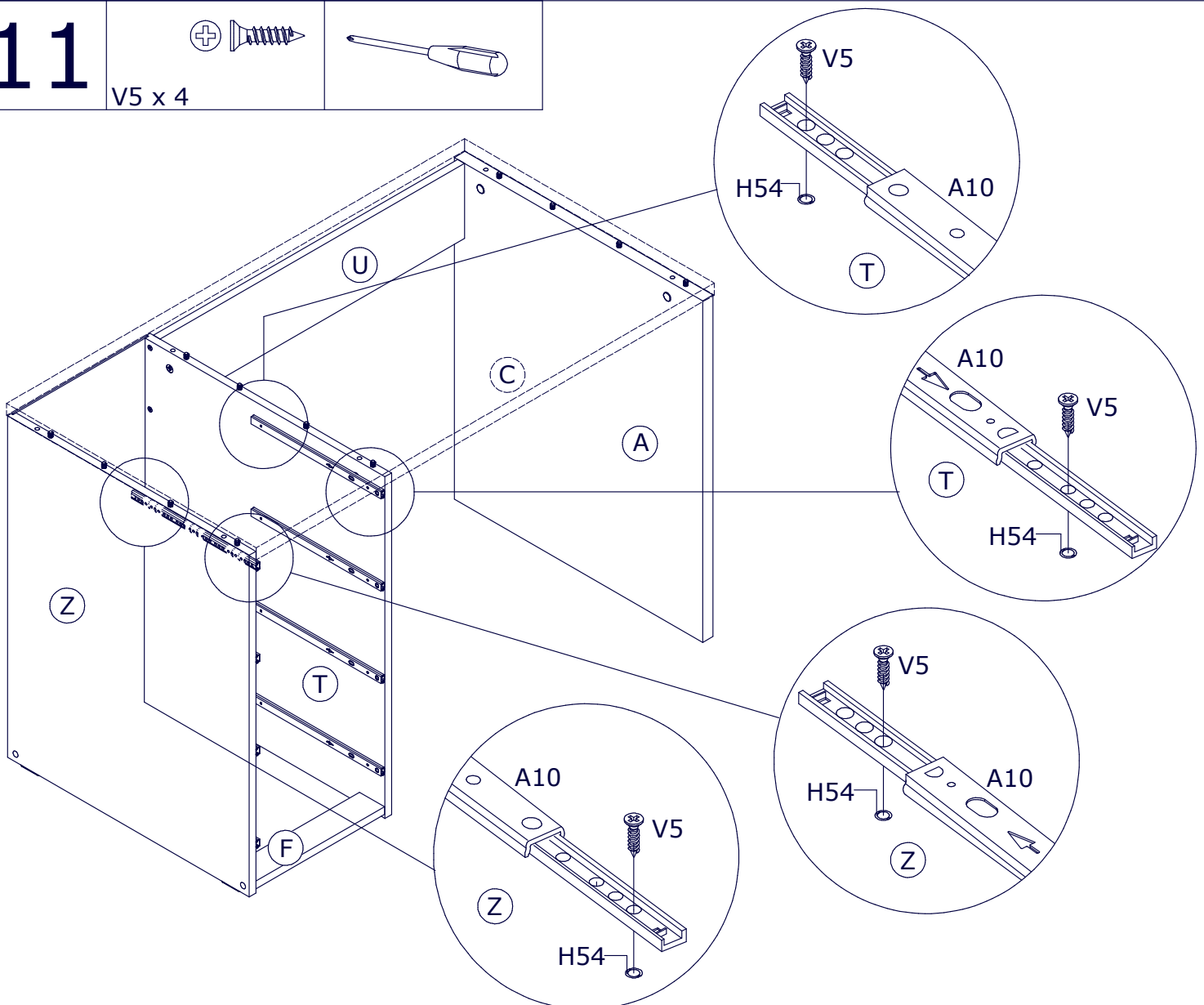
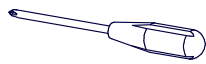
10

H15 x 18



11

V5 x 4



12

V38 x 8

