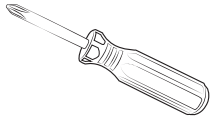


USER MANUAL

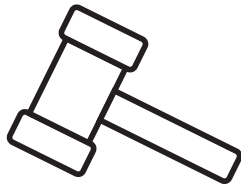


Closet with 4 Drawers and 2 Doors

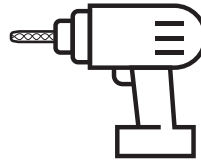
TOOLS REQUIRED



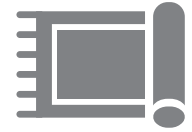
Phillips screwdriver
(Not included)



Hammer
(Not included)



Drill
(Not included)



Protective blanket
(Not included)



ATTENTION

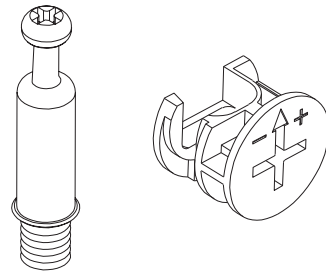
Keep children and pets away while assembling.



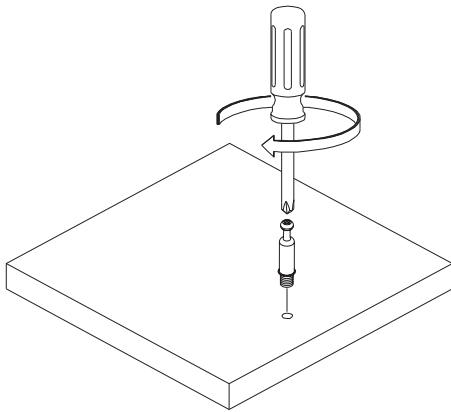
How to use cam locks

CAM LOCK FASTENING SYSTEM

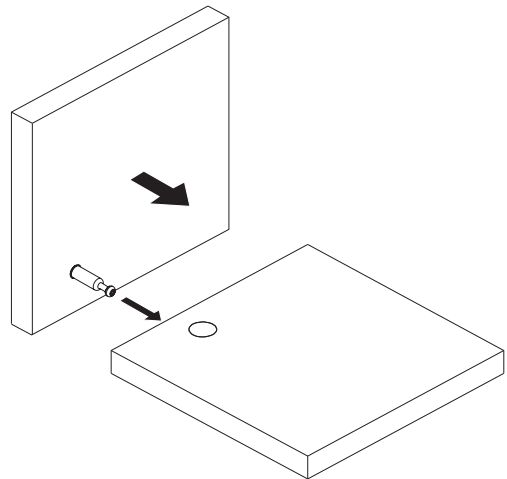
This Cam Lock Fastening System will be used throughout the assembly process.



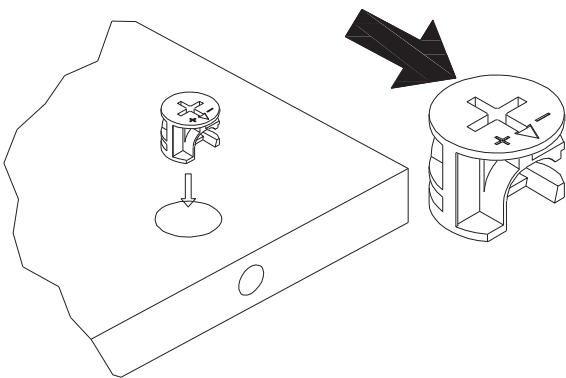
1



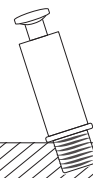
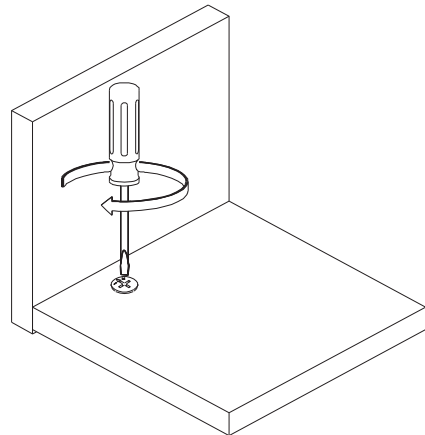
2



3



4



INTRODUCTION

Thank you for choosing our products. Please read the instructions carefully and keep them for future reference. If you need further assistance, please contact our customer service online via email.

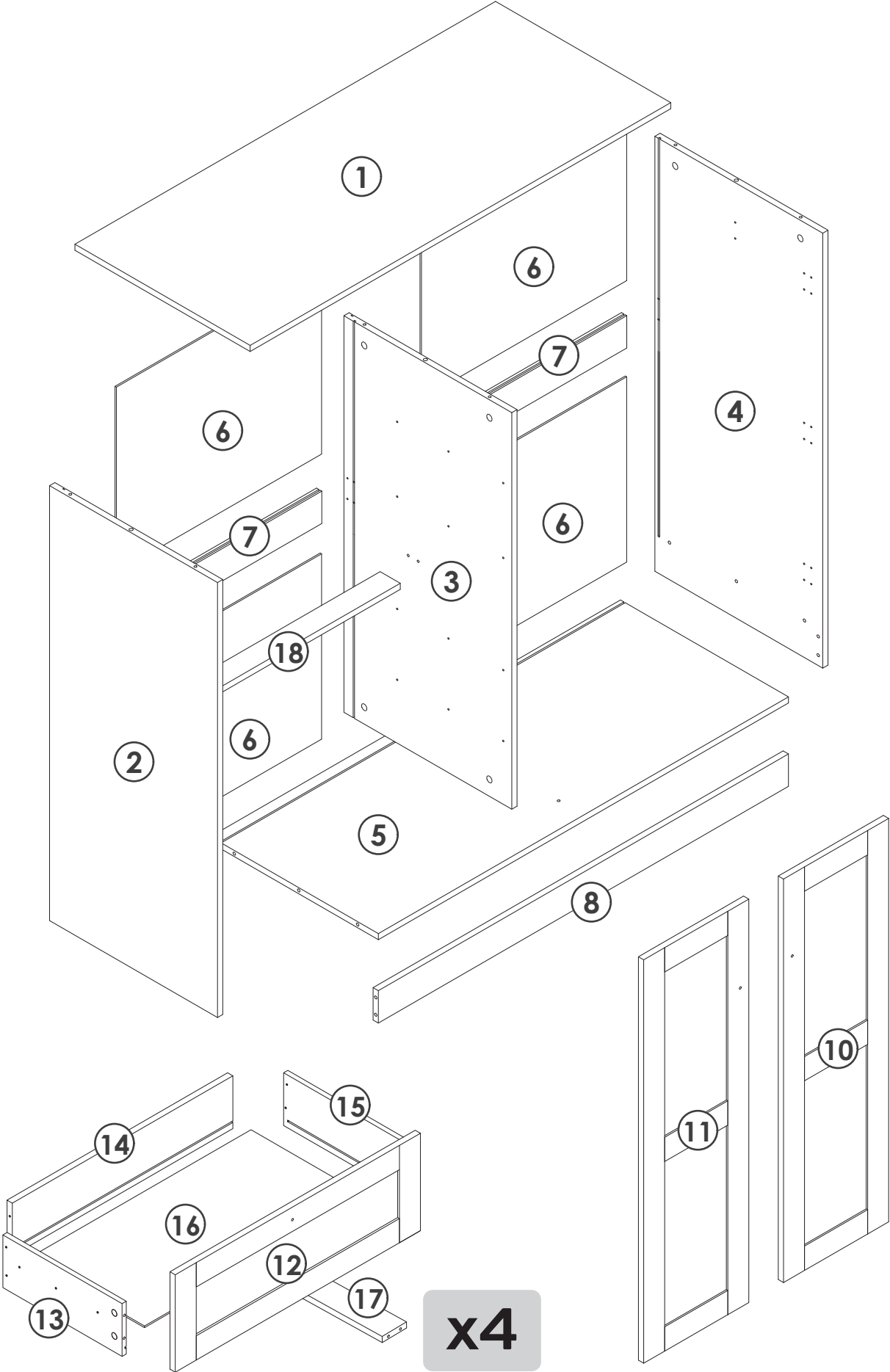
PRECAUTIONS

1. When installing the product, use a soft underlay (such as carpet or cardboard) to avoid scratching or damaging the surface of the product.
2. Please try to use a manual screwdriver instead of electric screw driver. A manual screwdriver can be used to better control the tightness of the screws.
3. Do not use any glue.
4. The product is unstable before it is assembled. Please pay attention to the product installation sequence.
5. The structure of this product can not meet the requirements of the placement of heavy items and children climbing.

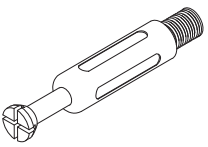
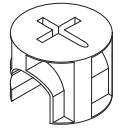
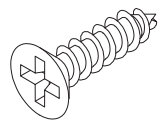
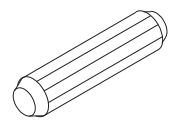
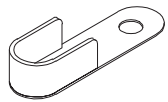
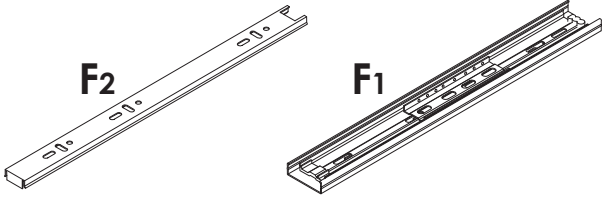
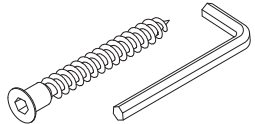
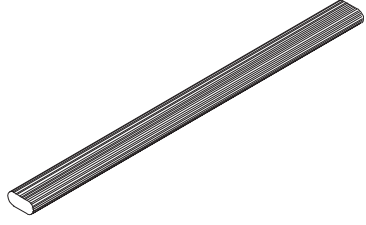
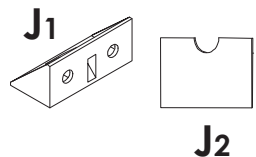
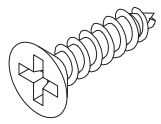
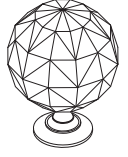
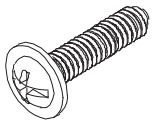
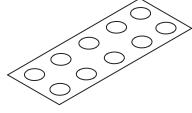
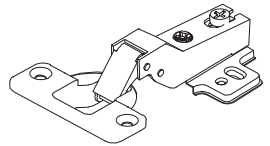
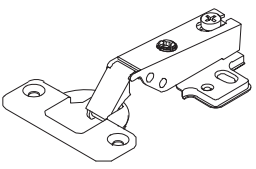
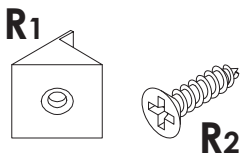
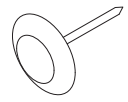
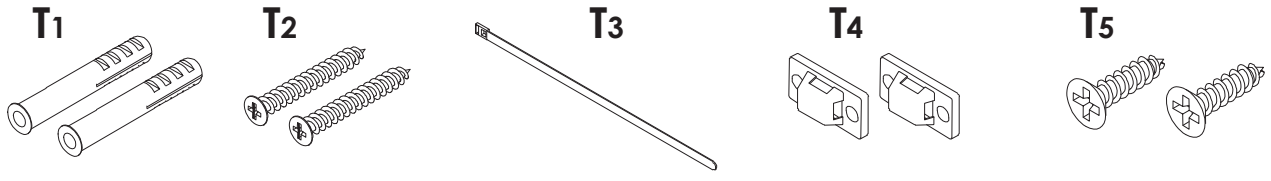
WARRANTY

We provides an **18 Month** Warranty on all products starting from the date of original purchase. If the product has any manufacturing defect, please contact customer service via email with your order number and other details to the problem. We will send you further information about the return or exchange.

PACKAGE CONTAINS



HARDWARES LIST

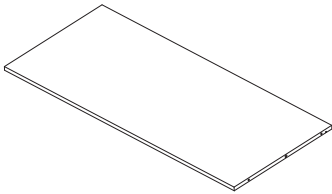
<p>A x44</p>  <p>M6*40 mm</p>	<p>B x44</p>  <p>M15*11 mm</p>	<p>C x66</p>  <p>M3.5*14 mm</p>	<p>D x9</p>  <p>M8*40 mm</p>	
<p>E x2</p> 	<p>F x8</p>  <p>F2 F1</p>		<p>G x32</p>  <p>M5*40 mm</p>	
<p>H x1</p> 	<p>J x1</p>  <p>J1 J2</p>	<p>K x24</p>  <p>M3.5*12 mm</p>		
<p>L x6</p> 	<p>M x6</p>  <p>M4*20 mm</p>	<p>N x24</p> 	<p>P x3</p> 	
<p>Q x3</p> 	<p>R x24</p>  <p>R1 R2</p> <p>M3*16 mm</p>	<p>S x6</p> 		
<p>T x2</p>  <p>T1 T2 T3 T4 T5</p>				

PARTS LIST » A BOX

Unit: (mm)

②

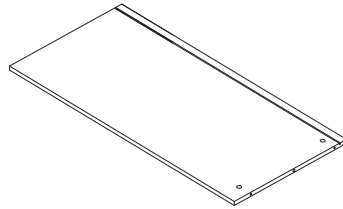
x1



1075*479*15 mm

③

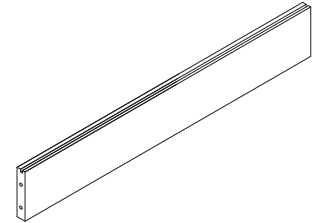
x1



980*479*15 mm

⑦

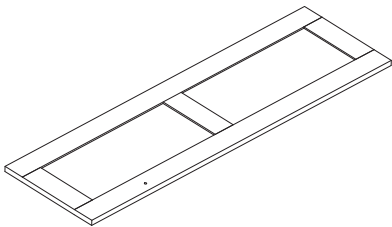
x2



80*575.5*15 mm

⑩

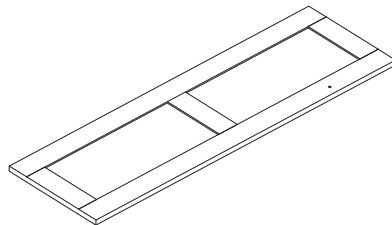
x1



991*298*15 mm

⑪

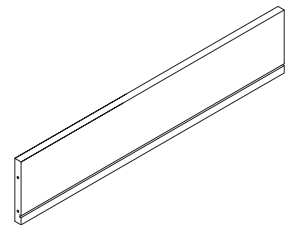
x1



991*298*15 mm

⑭

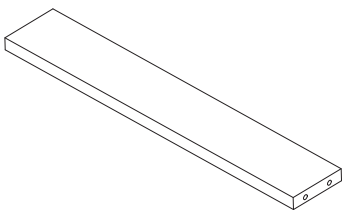
x4



120*527.5*12 mm

⑰

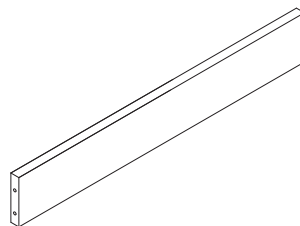
x4



60*337*12 mm

⑱

x1



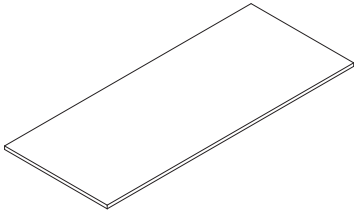
575.5*80*15 mm

PARTS LIST » B BOX

Unit: (mm)

1

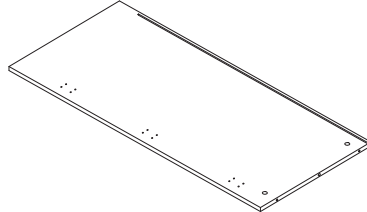
x1



1200*500*15 mm

4

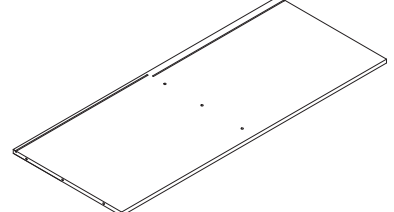
x1



1075*479*15 mm

5

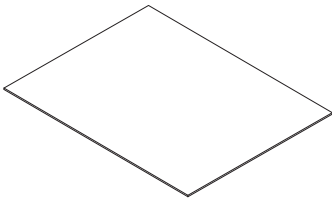
x1



1166*479*15 mm

6

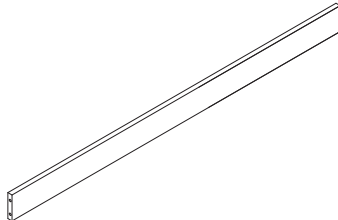
x4



458*583.5*3 mm

8

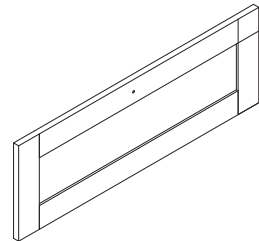
x1



80*1166*15 mm

12

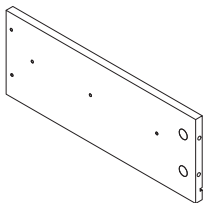
x4



245.5*596*15 mm

13

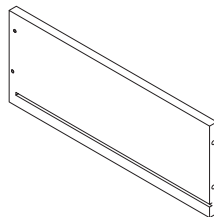
x4



120*350*12 mm

15

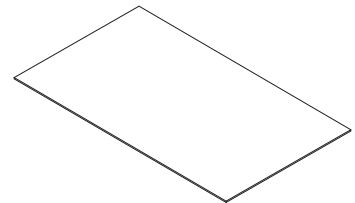
x4



120*350*12 mm

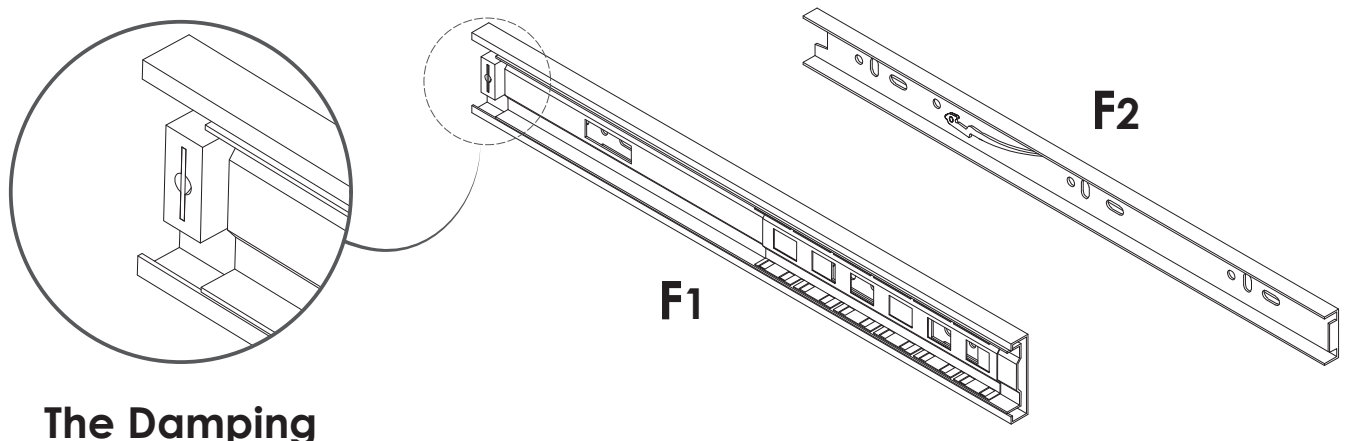
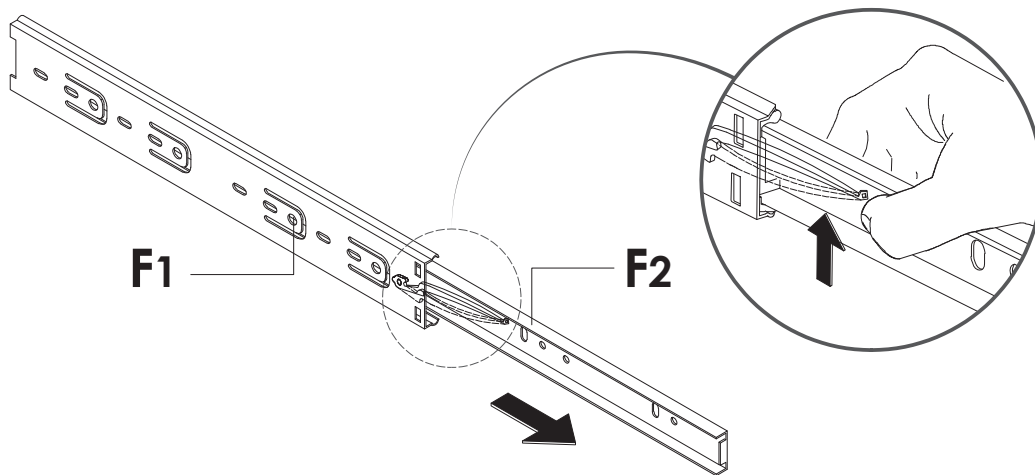
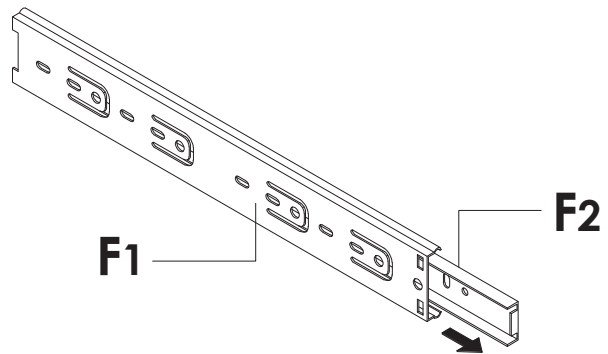
16

x4



535.5*345*3 mm

INSTALLATION INSTRUCTION



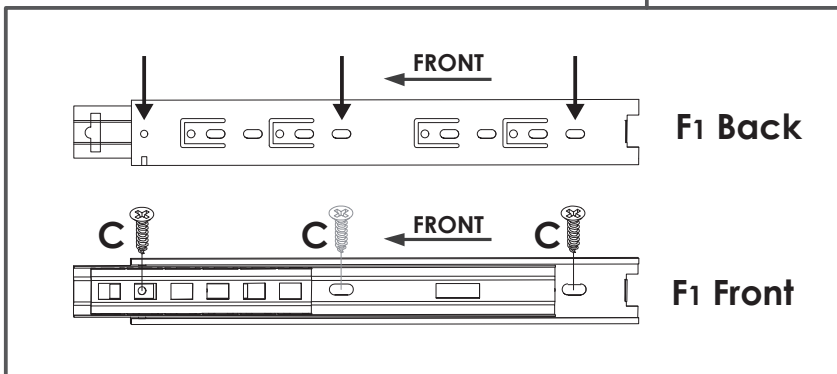
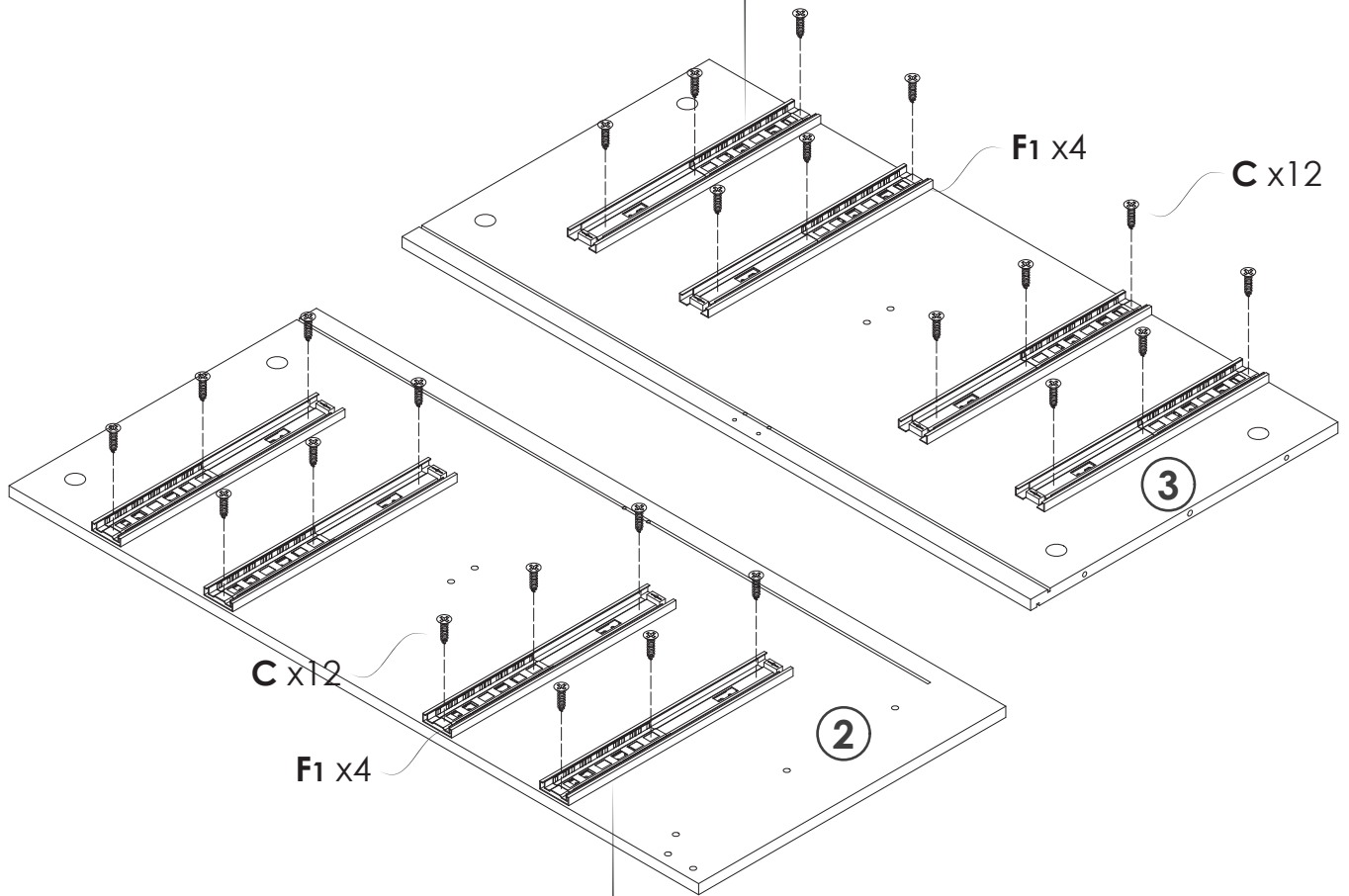
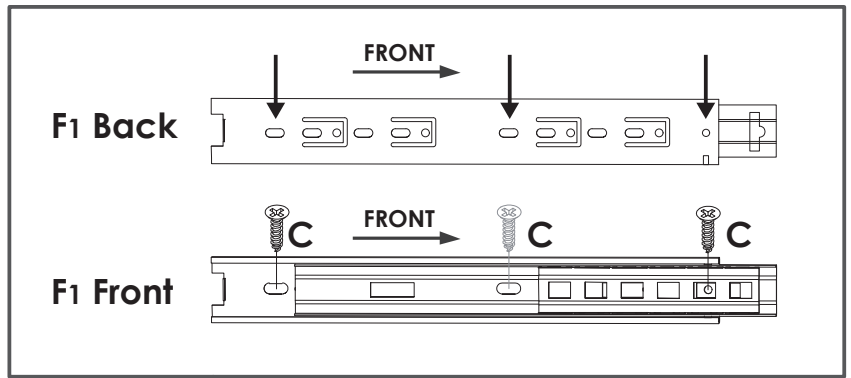
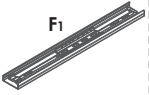
01

C x24pcs



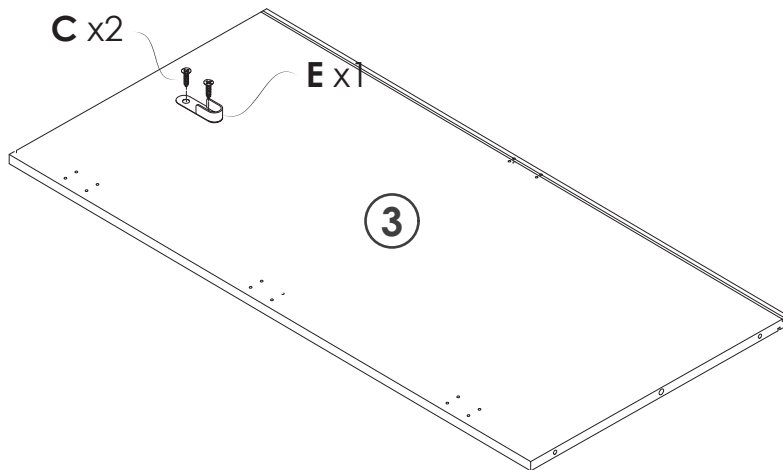
M3.5*14 mm

F1 x8pcs



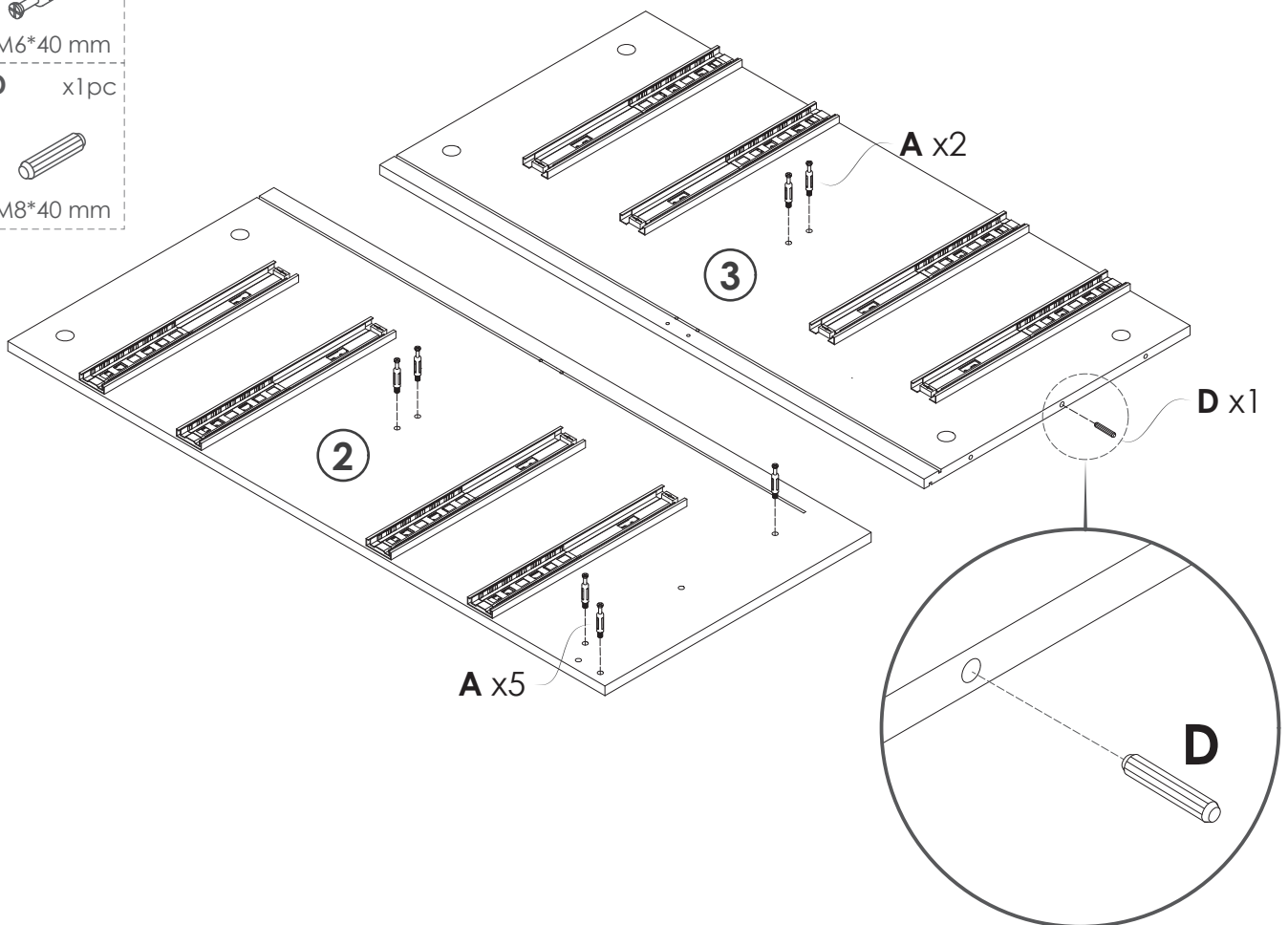
02

- C** x2pcs
M3.5*14 mm
- E** x1pc



03

- A** x7pcs
M6*40 mm
- D** x1pc
M8*40 mm



04

A x2pcs

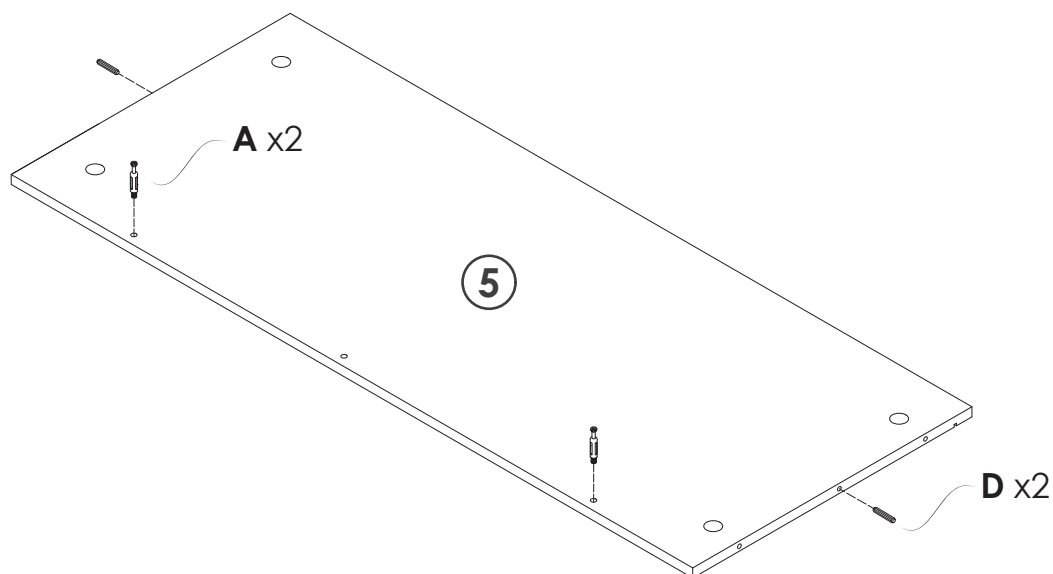


M6*40 mm

D x2pcs



M8*40 mm



05

B x2pcs

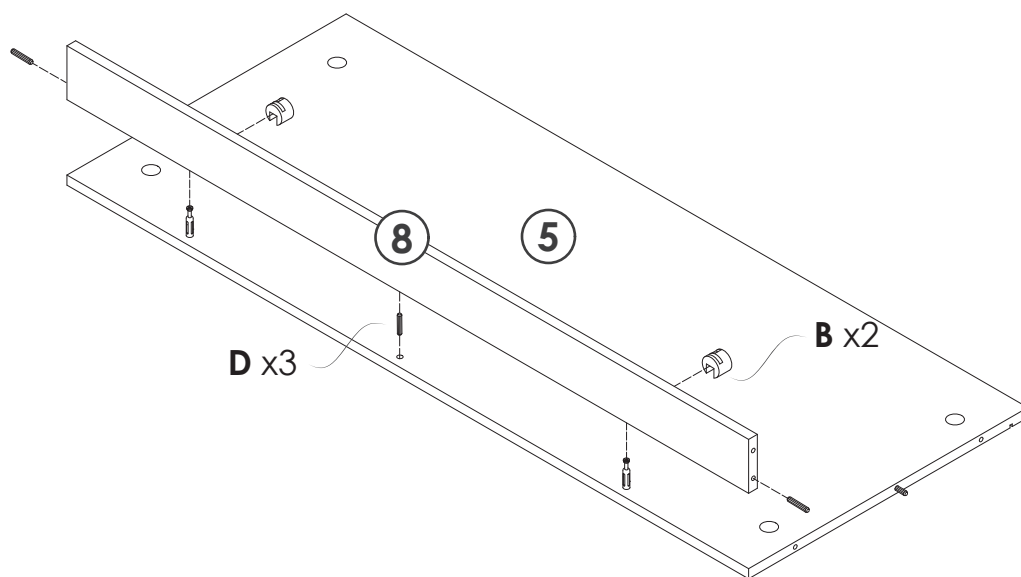


M15*11 mm

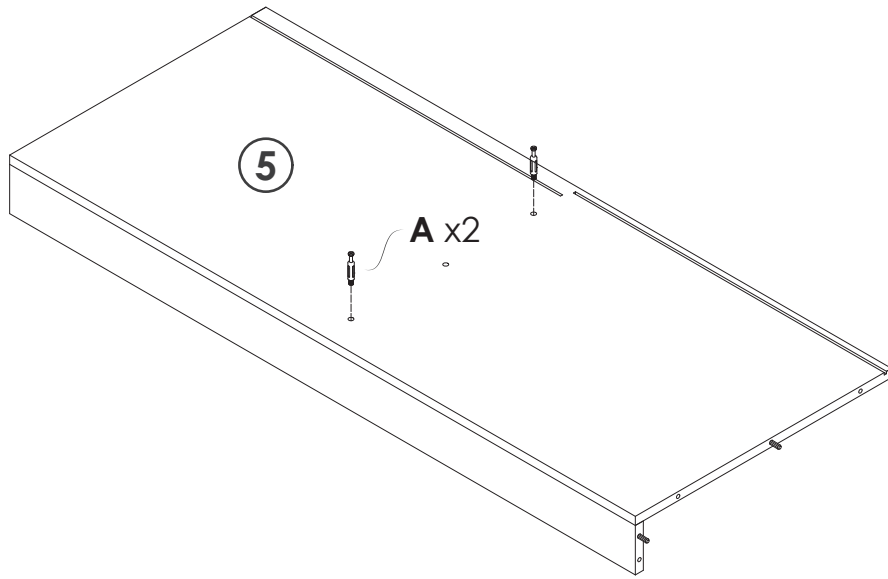
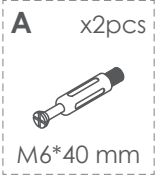
D x3pcs



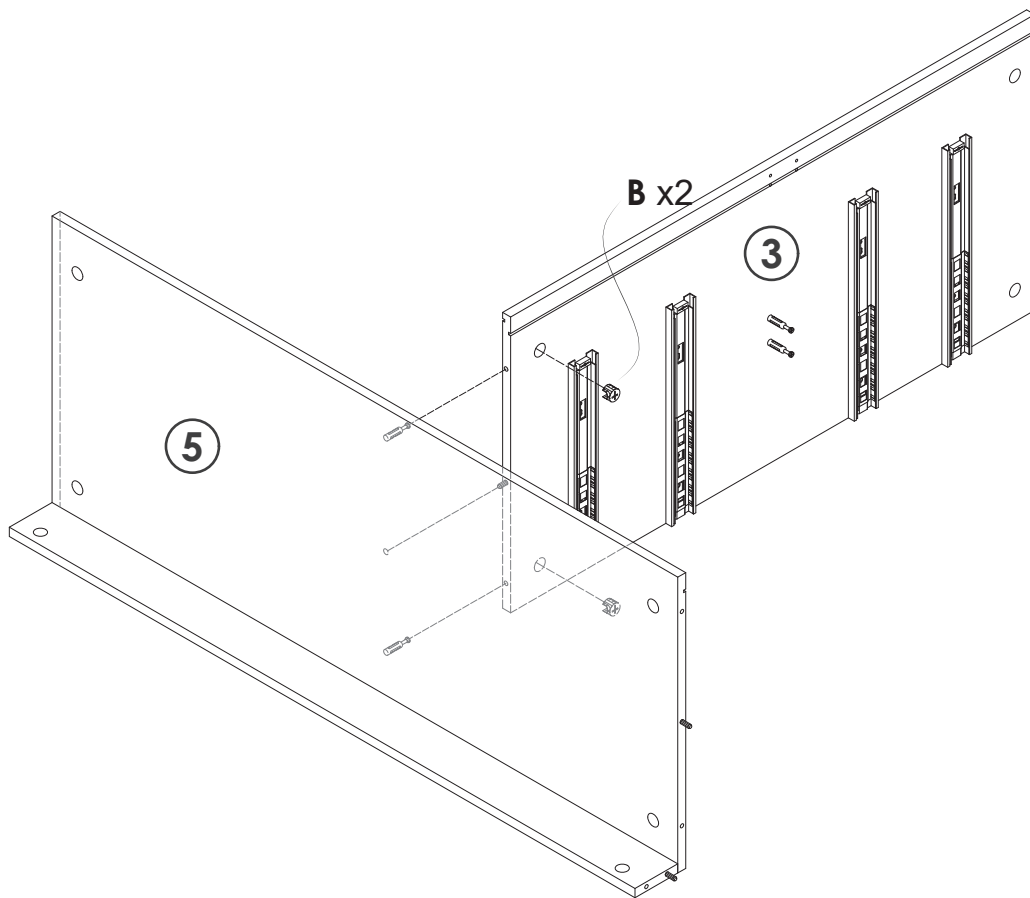
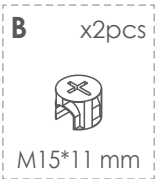
M8*40 mm




06

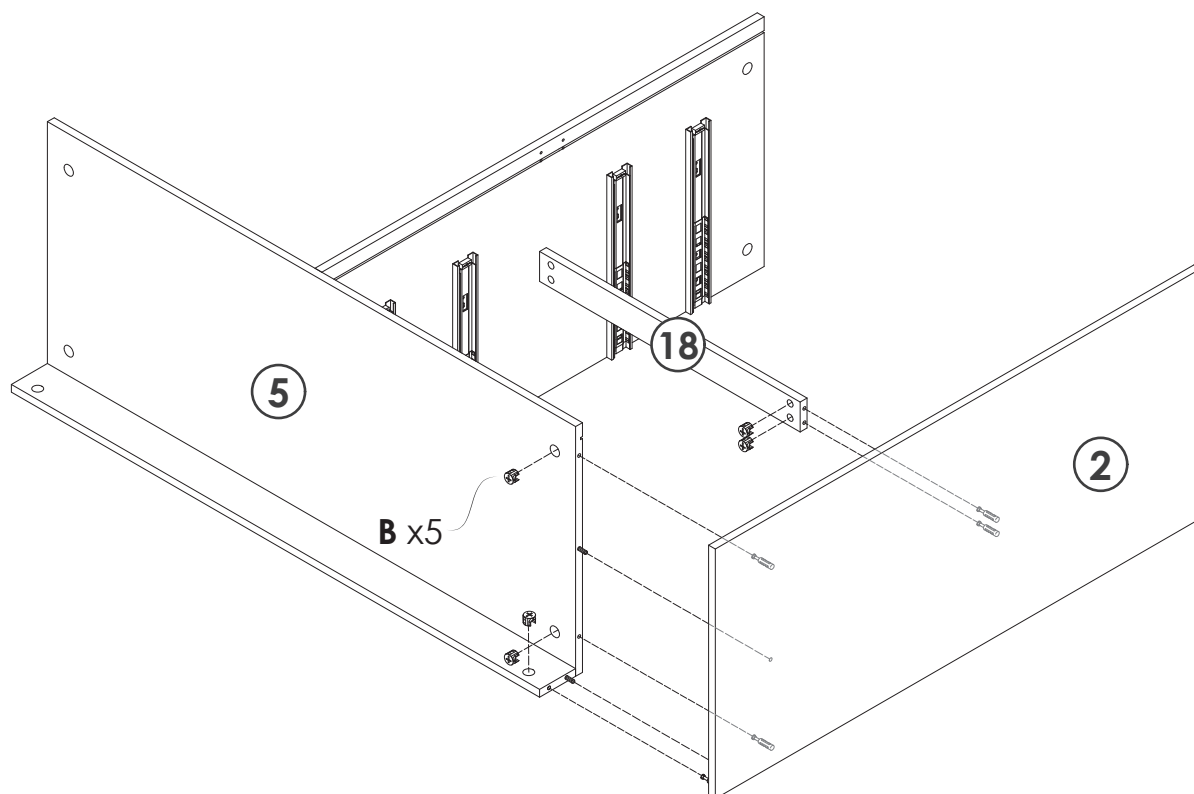
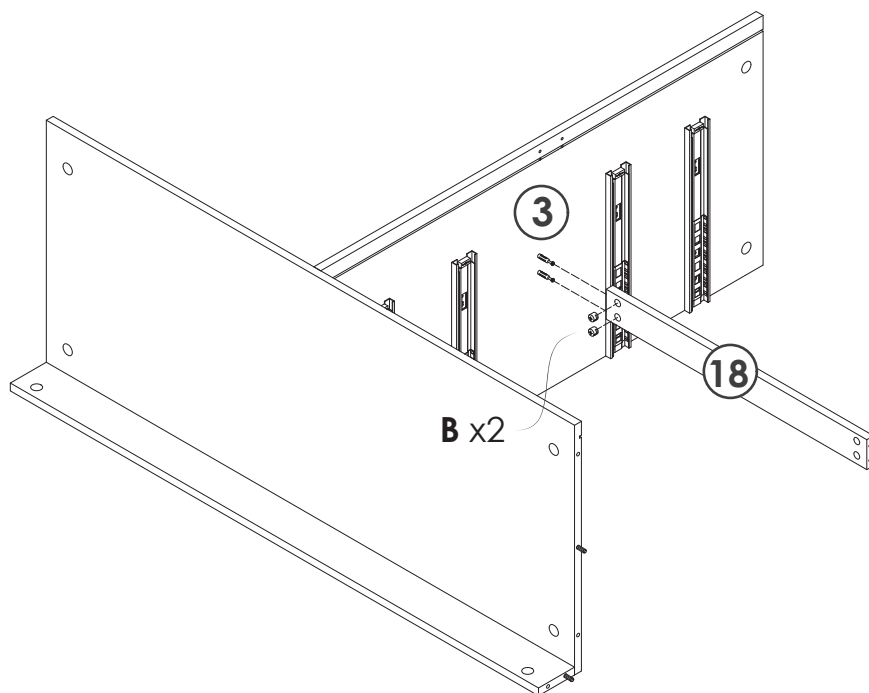


07



08

B x7pcs

M15*11 mm



09

A x3pcs



M6*40 mm

B x3pcs



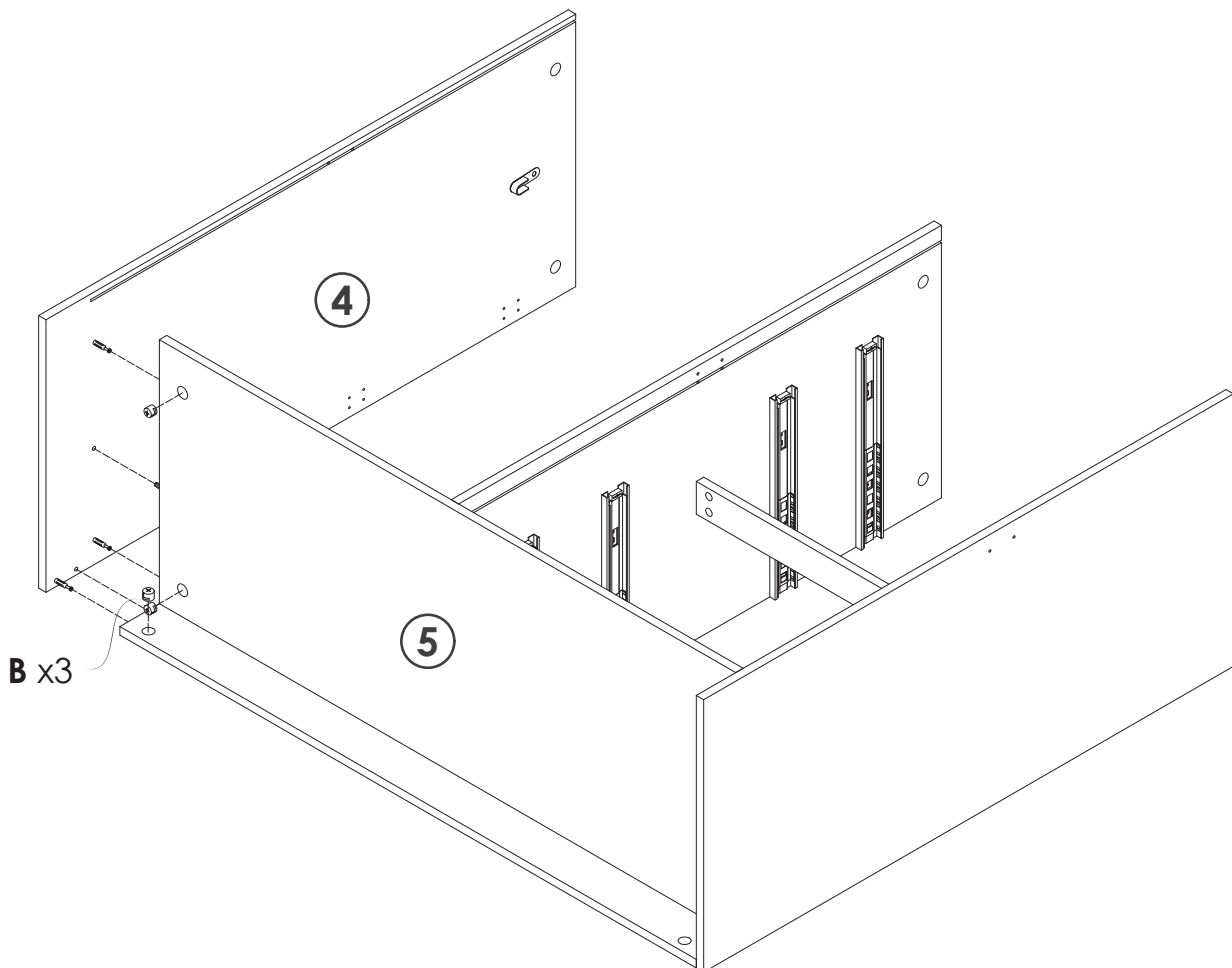
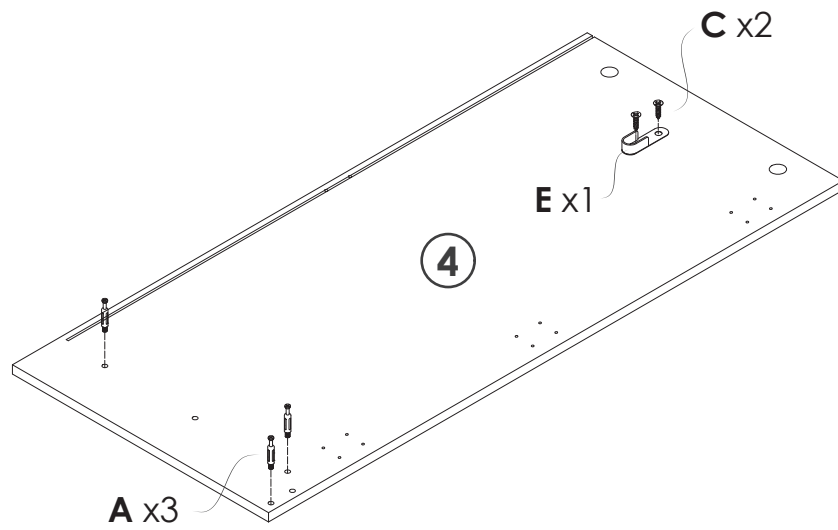
M15*11 mm

C x2pcs



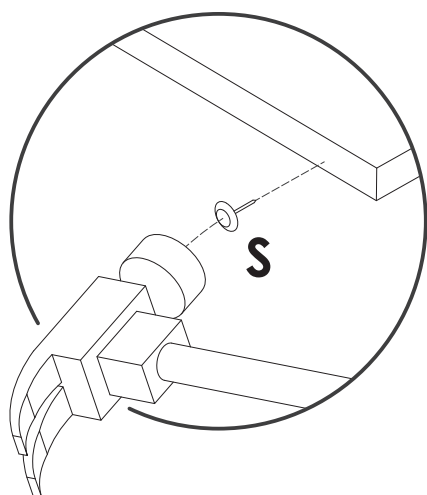
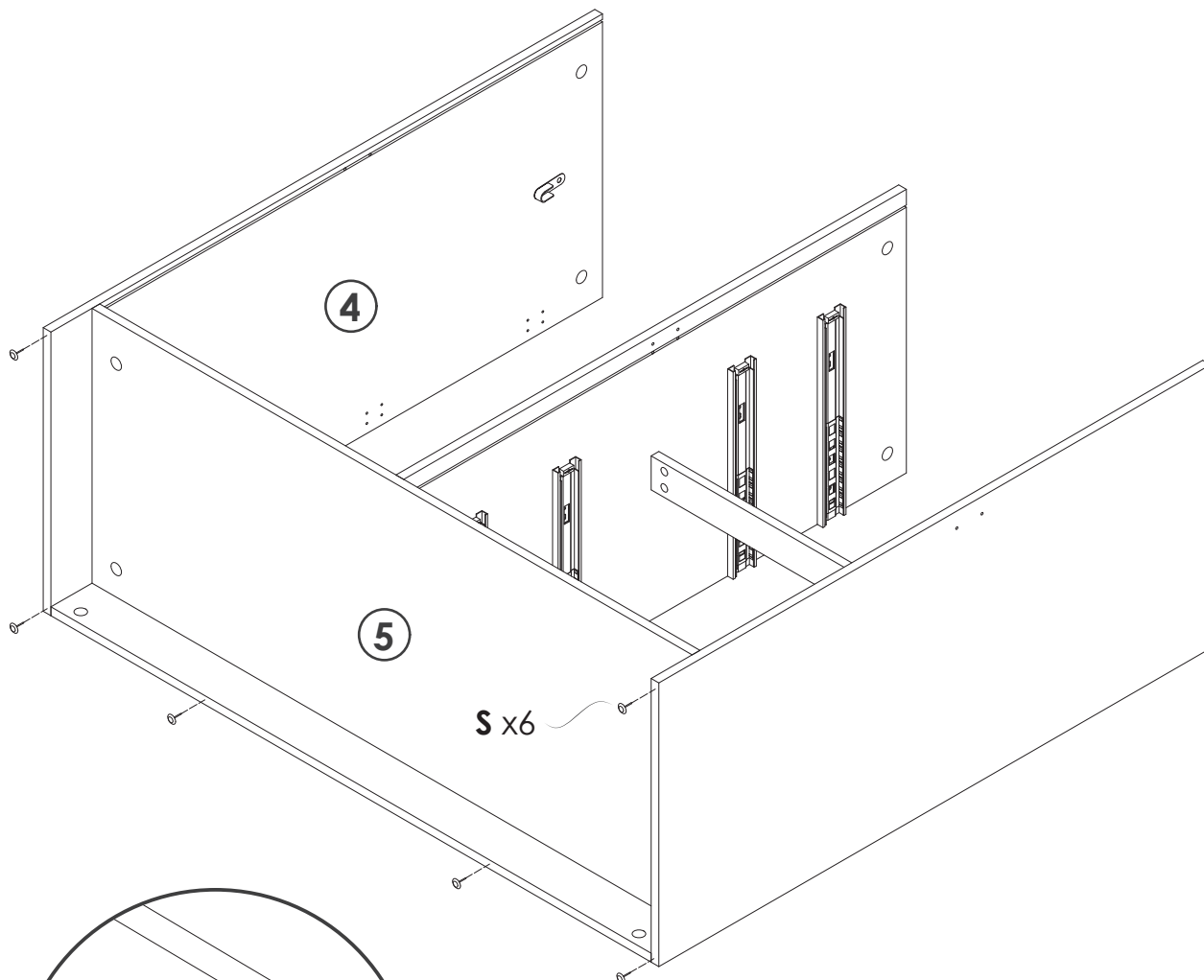
M3.5*14 mm

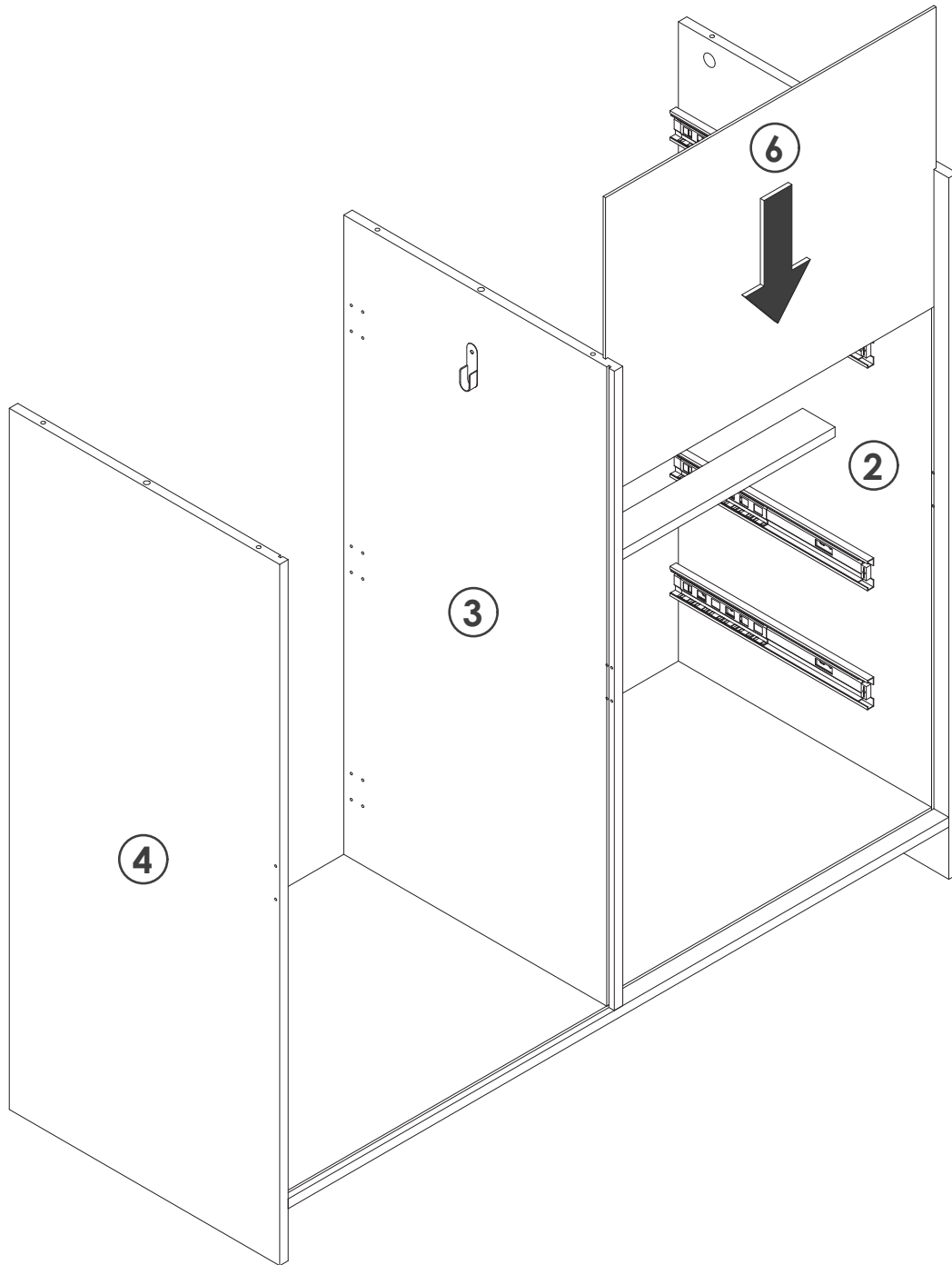
E x1pc



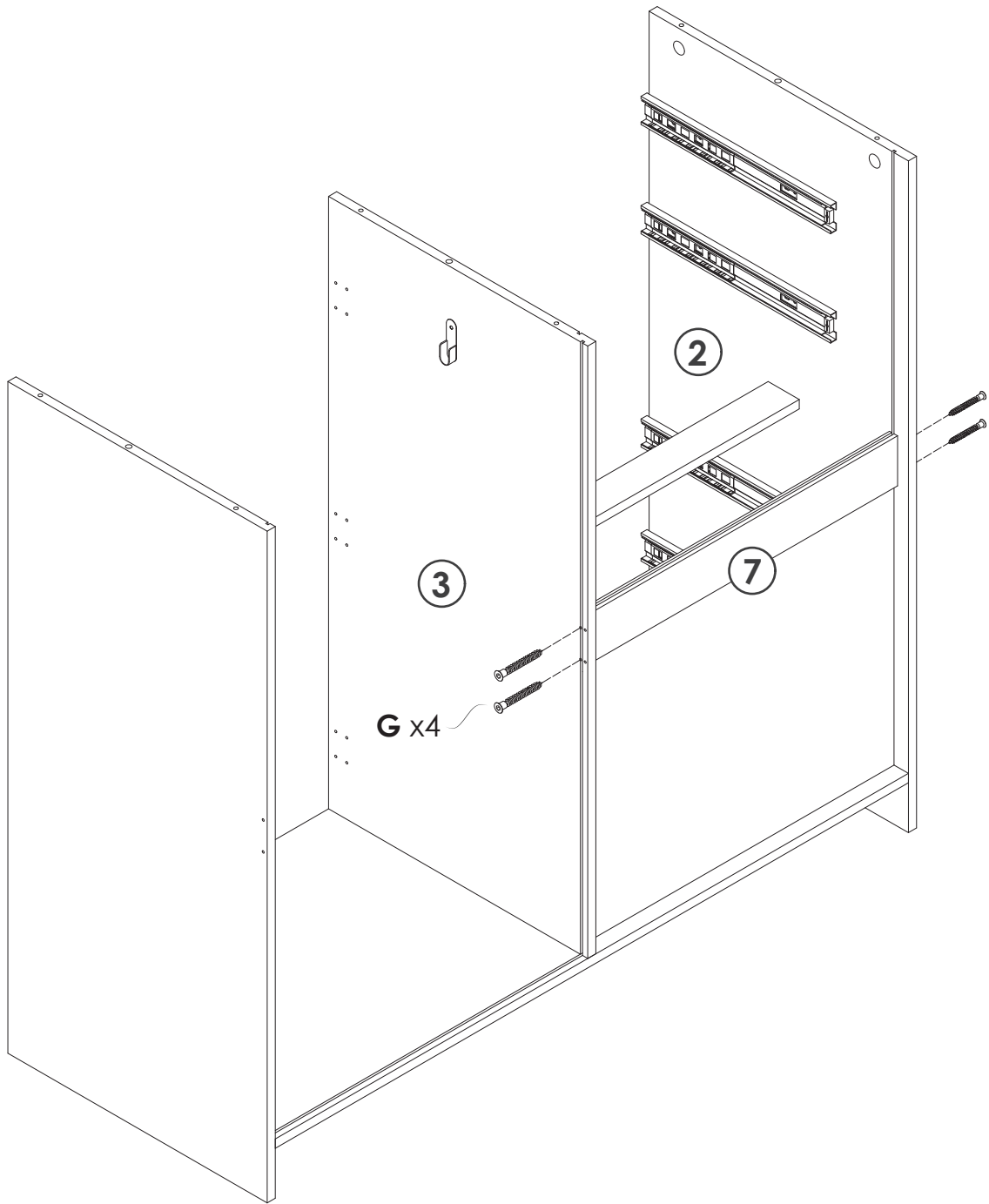
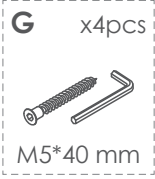
10

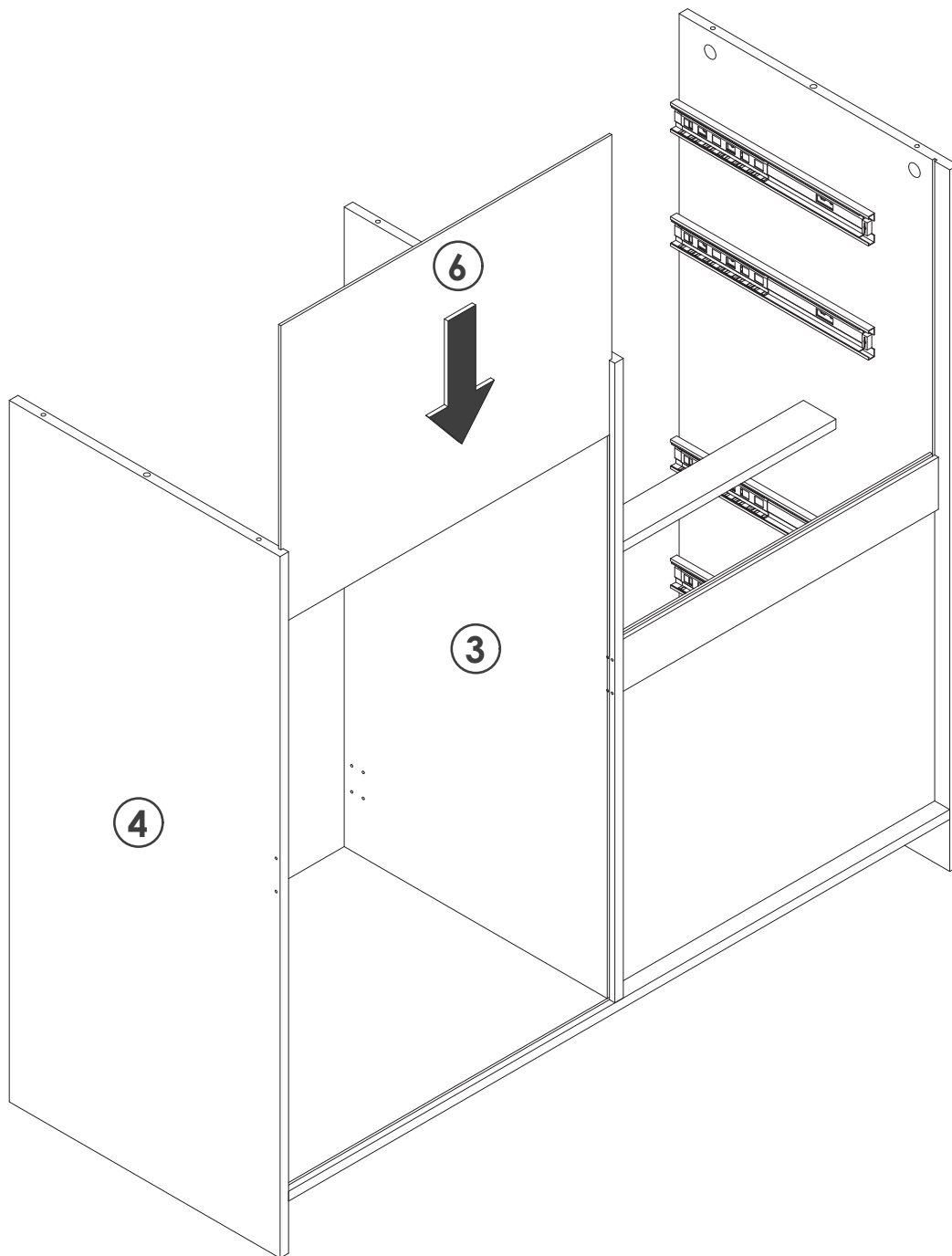
S x6pcs



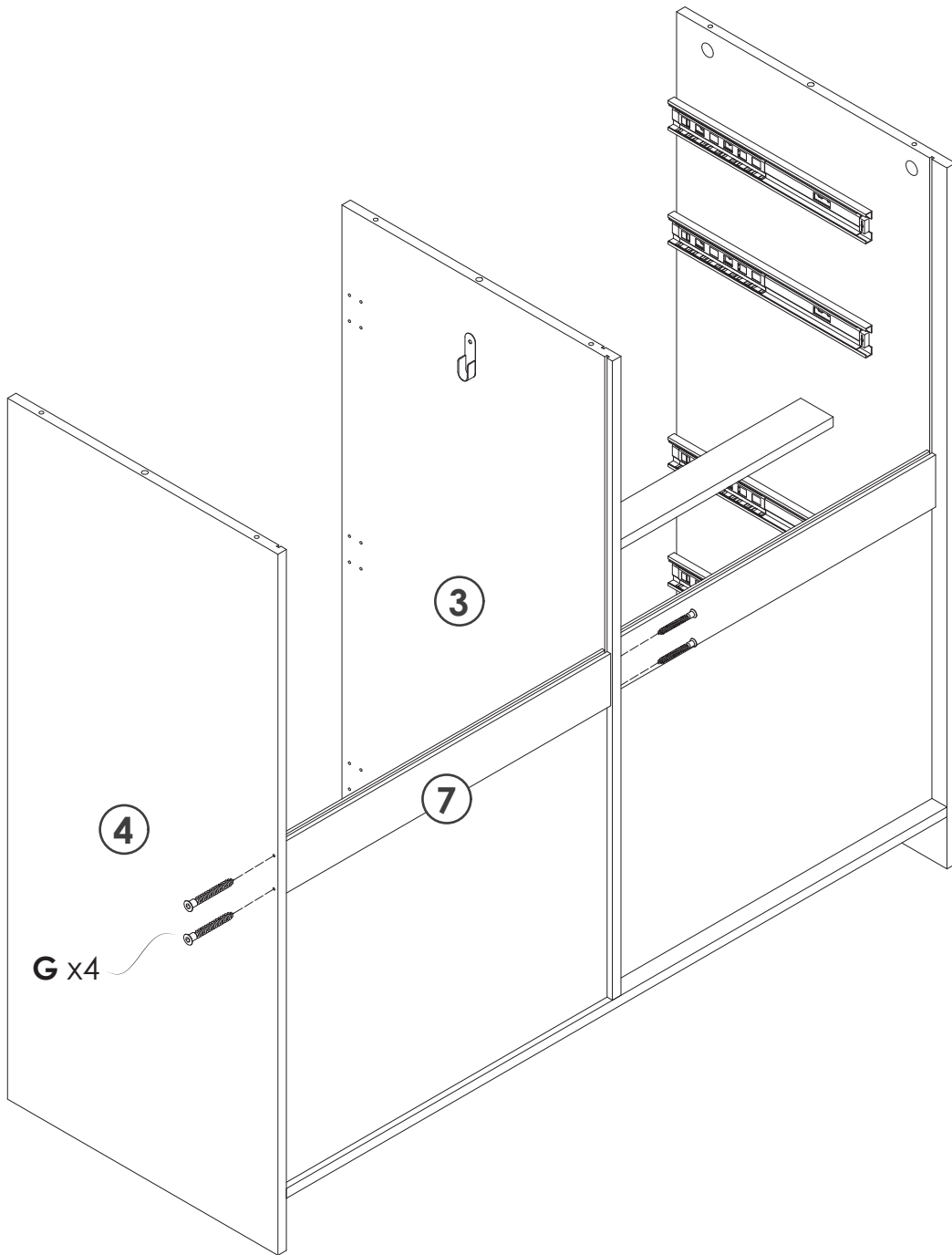
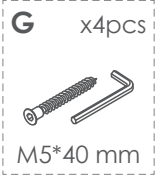


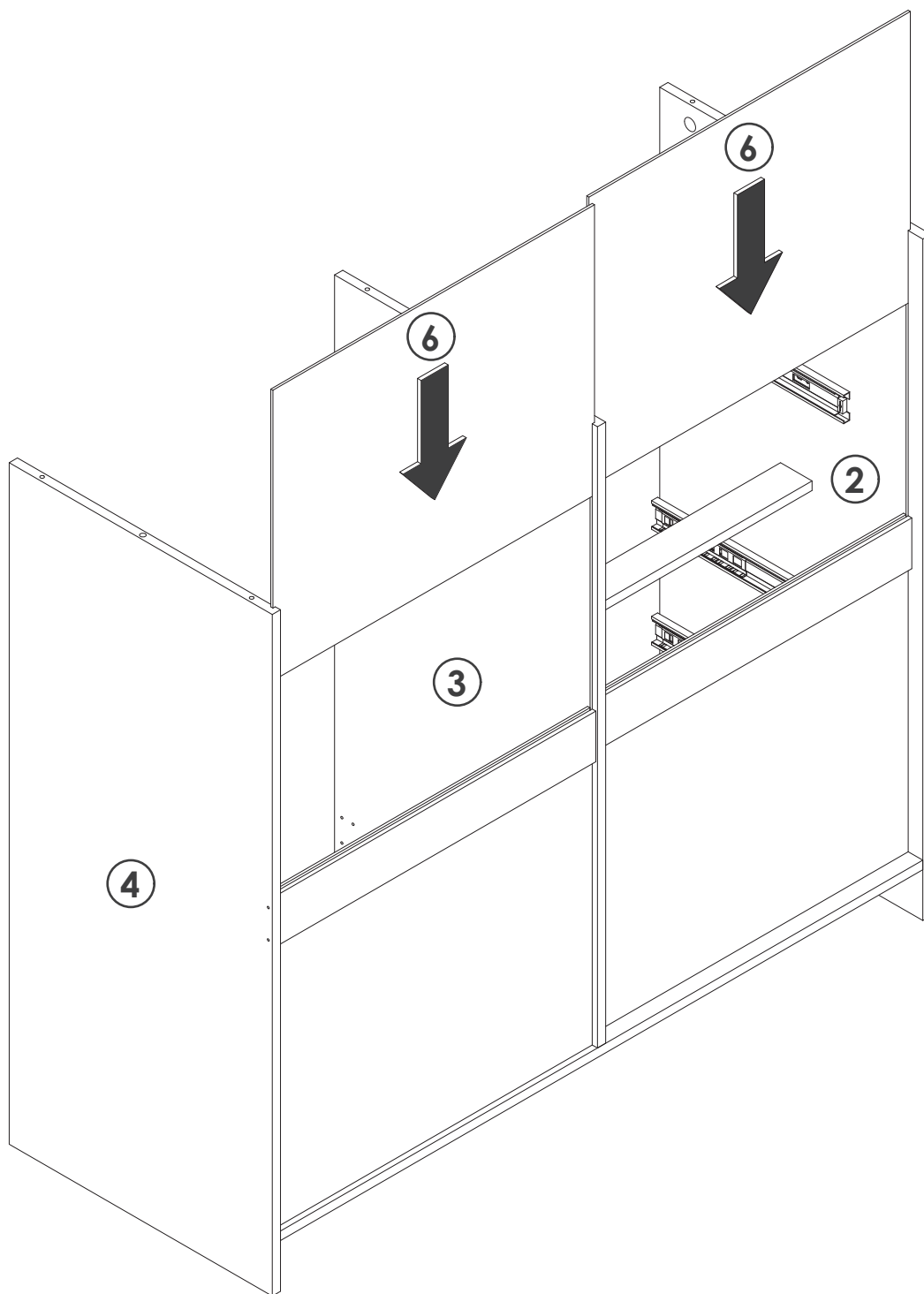
12



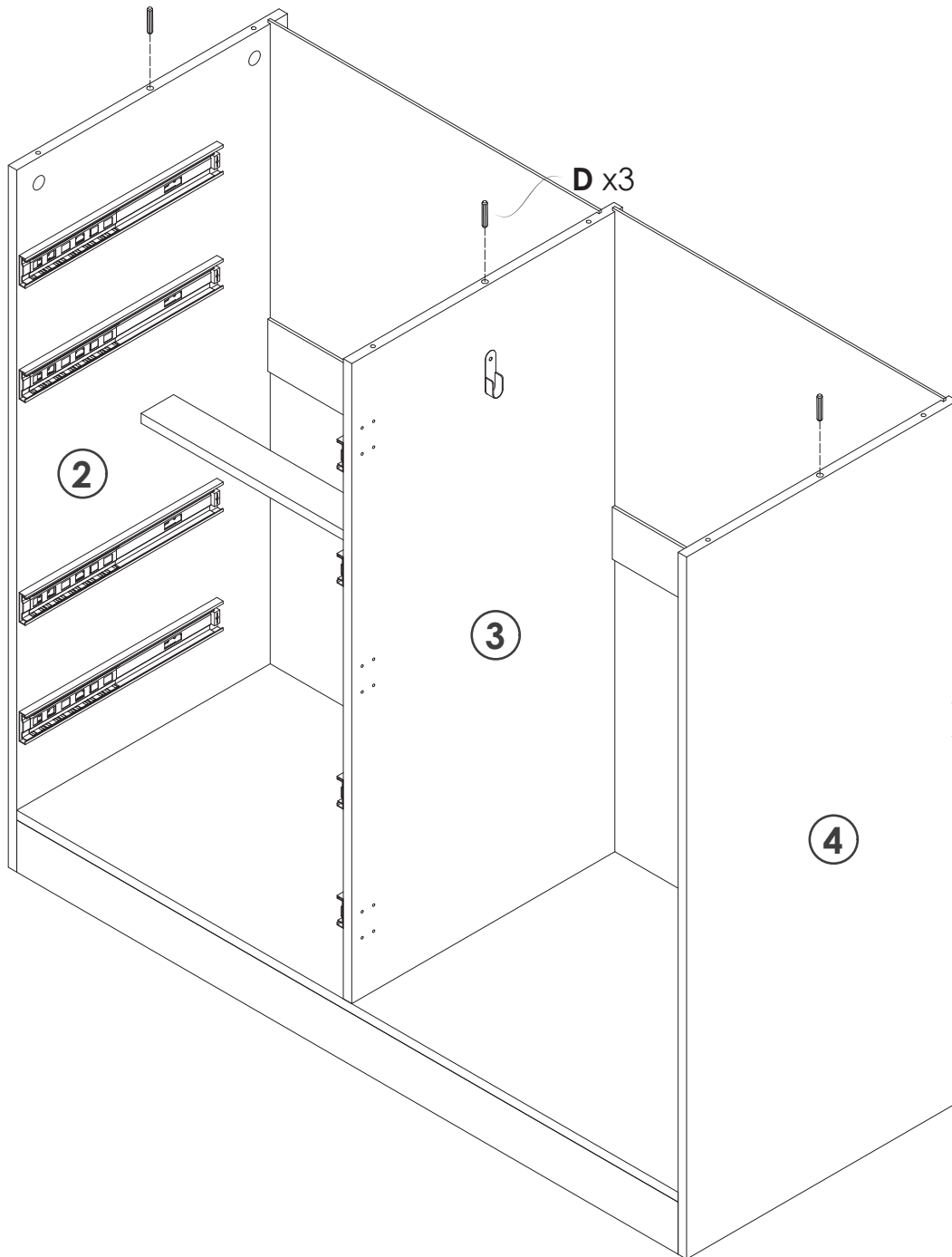
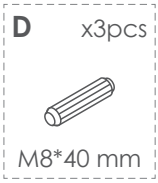


14





16



17

A x6pcs



M6*40 mm

B x6pcs



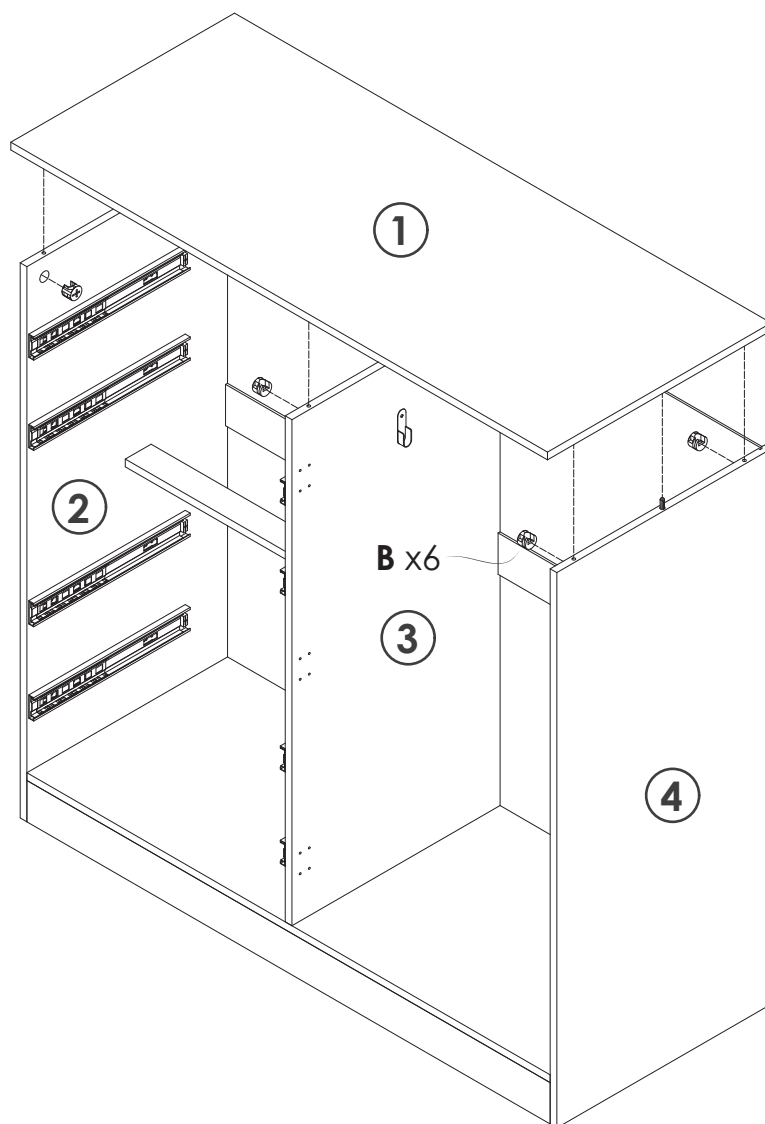
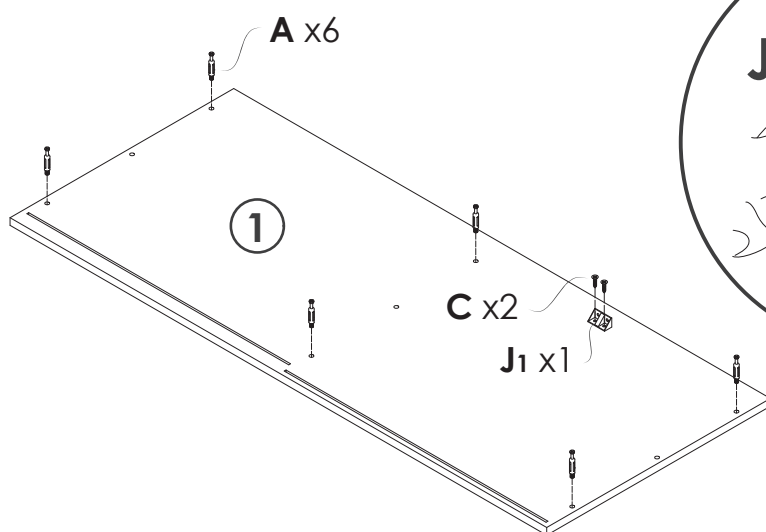
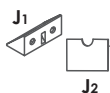
M15*11 mm

C x2pcs



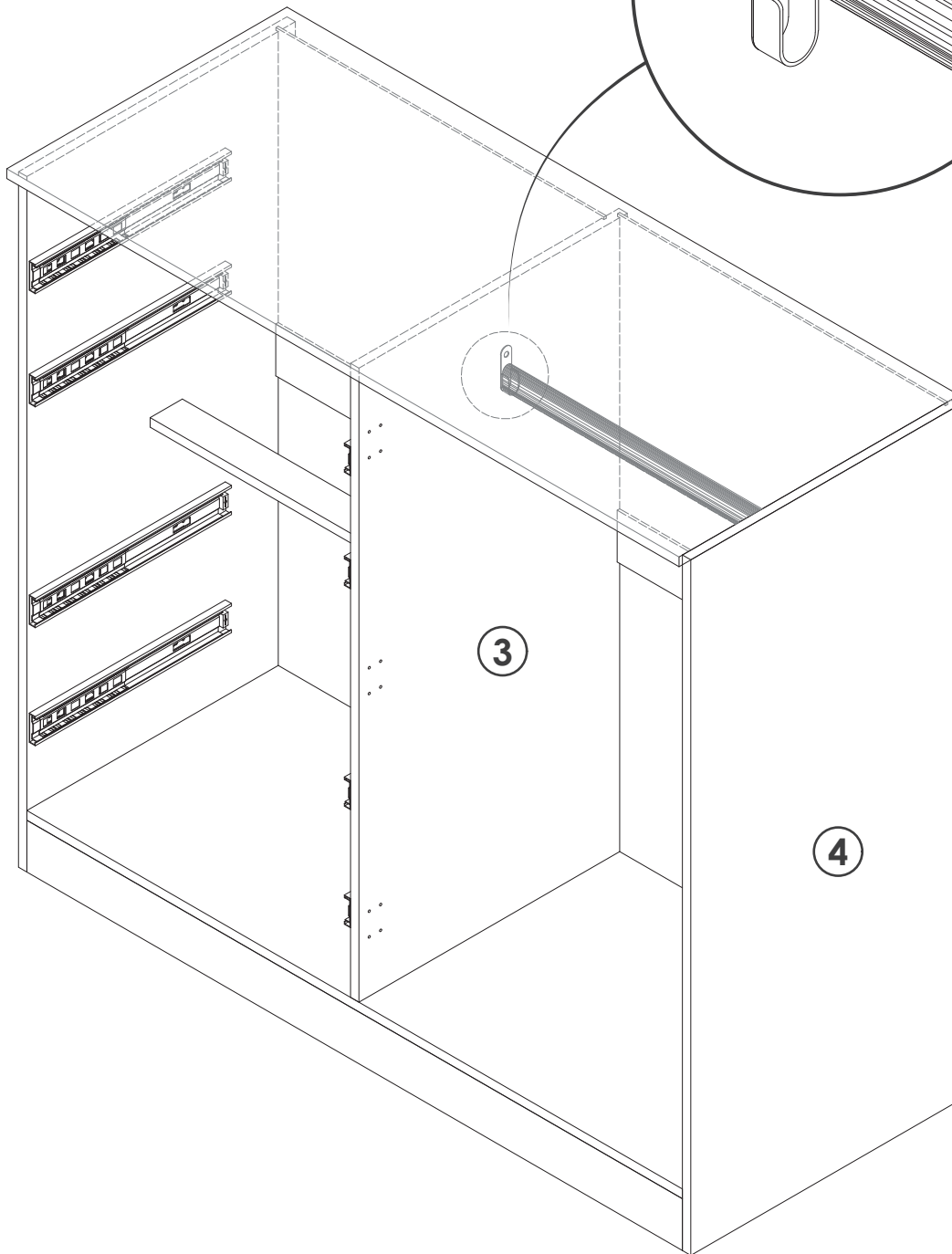
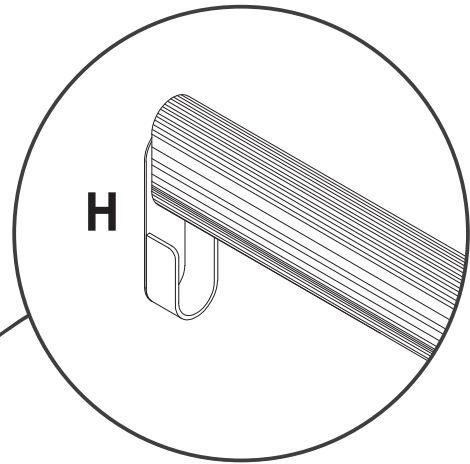
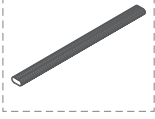
M3.5*14 mm

J x6pcs

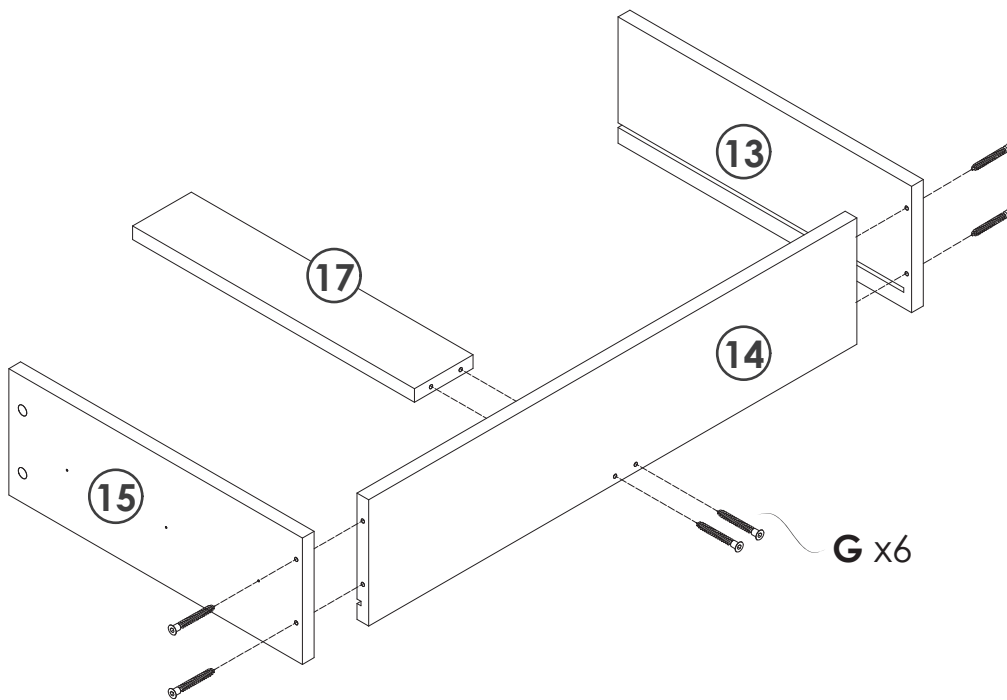
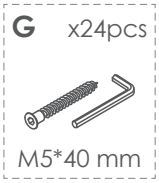


18

H x1pc

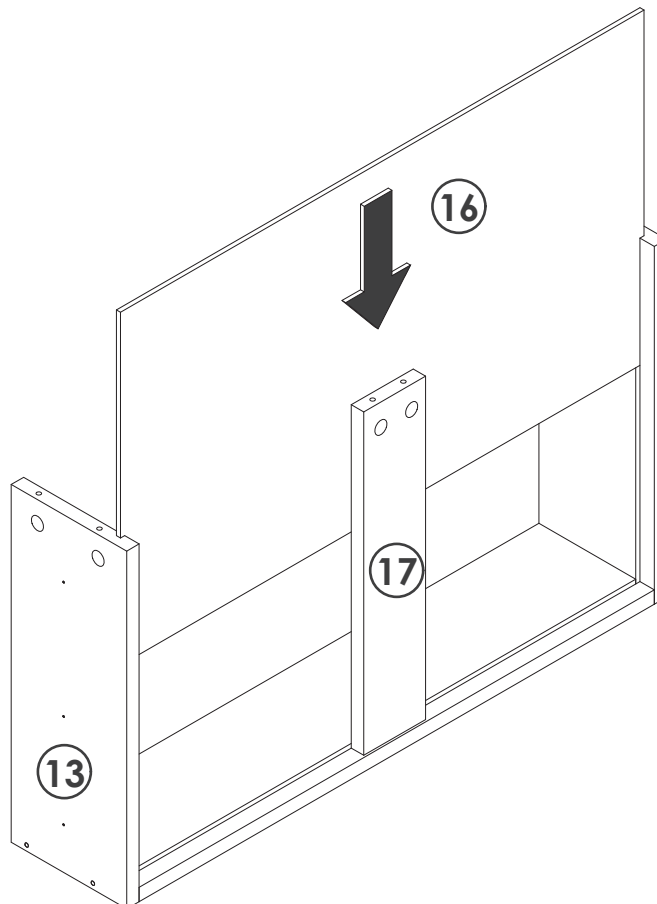


19



x4

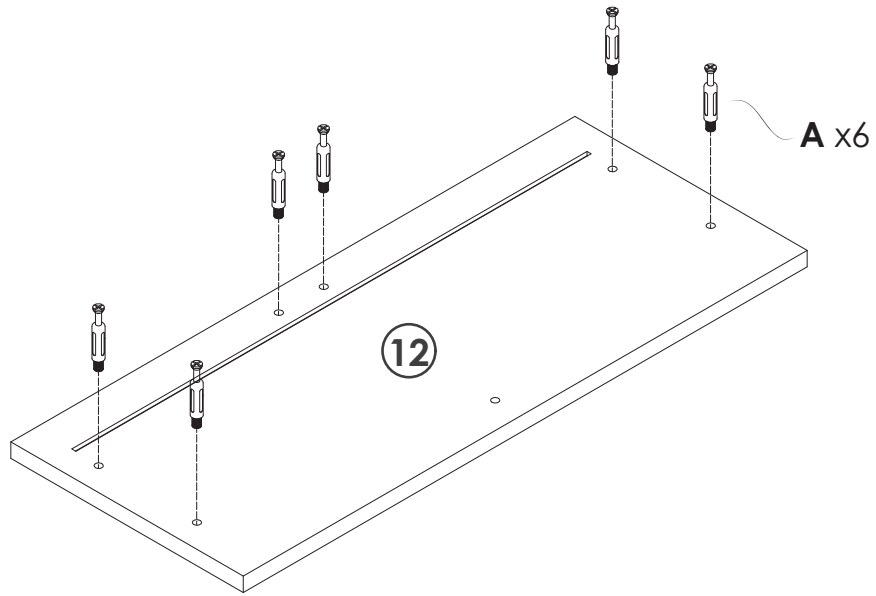
20



x4

21

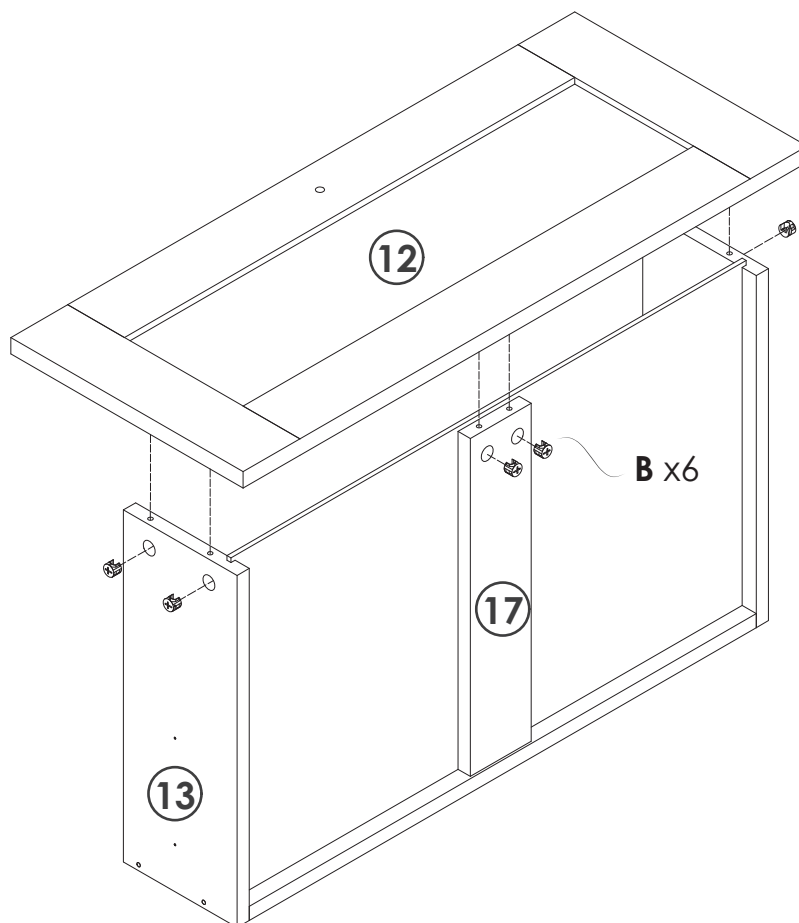
A x24pcs



x4

22

B x24pcs



x4

23

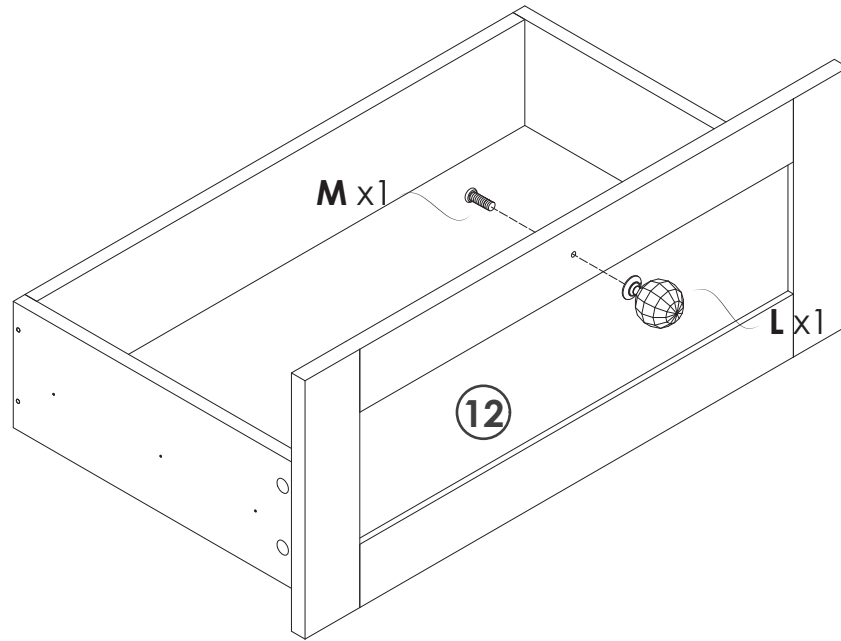
L x4pcs



M x4pcs



M4*20 mm

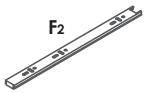


x4

24

F2 x8pcs

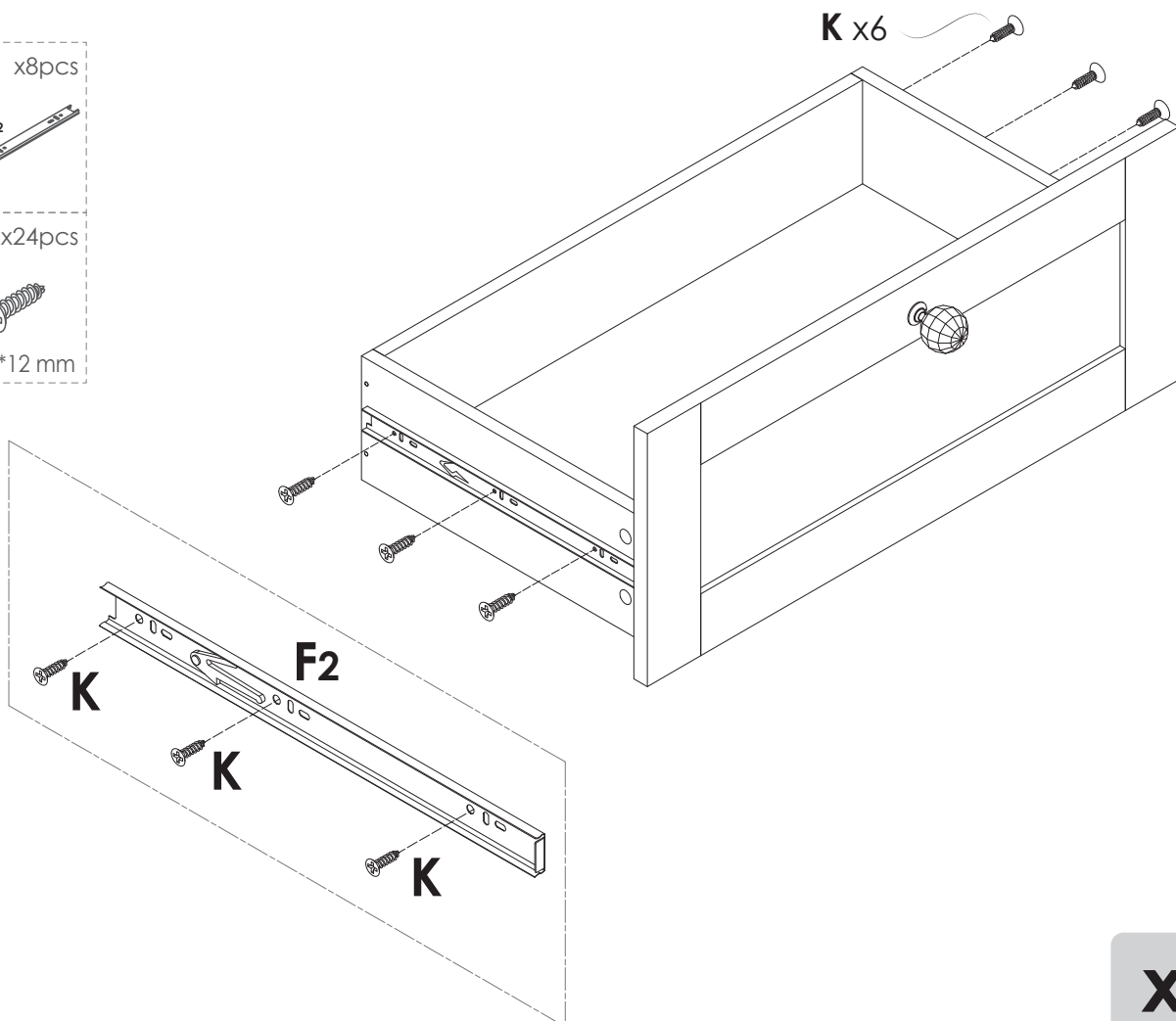
F2



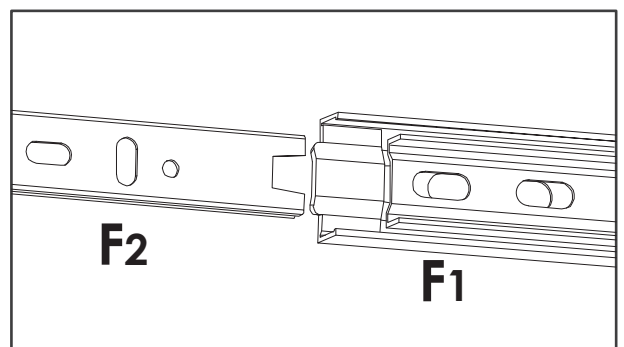
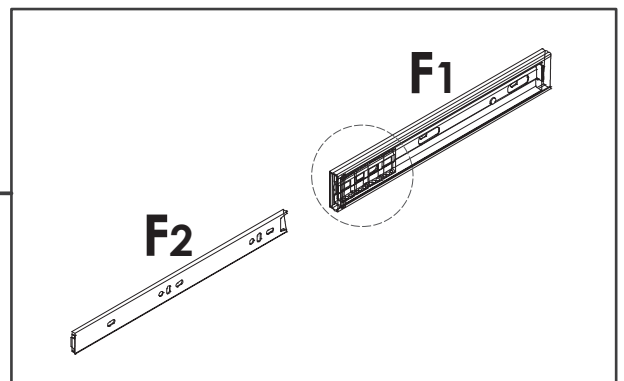
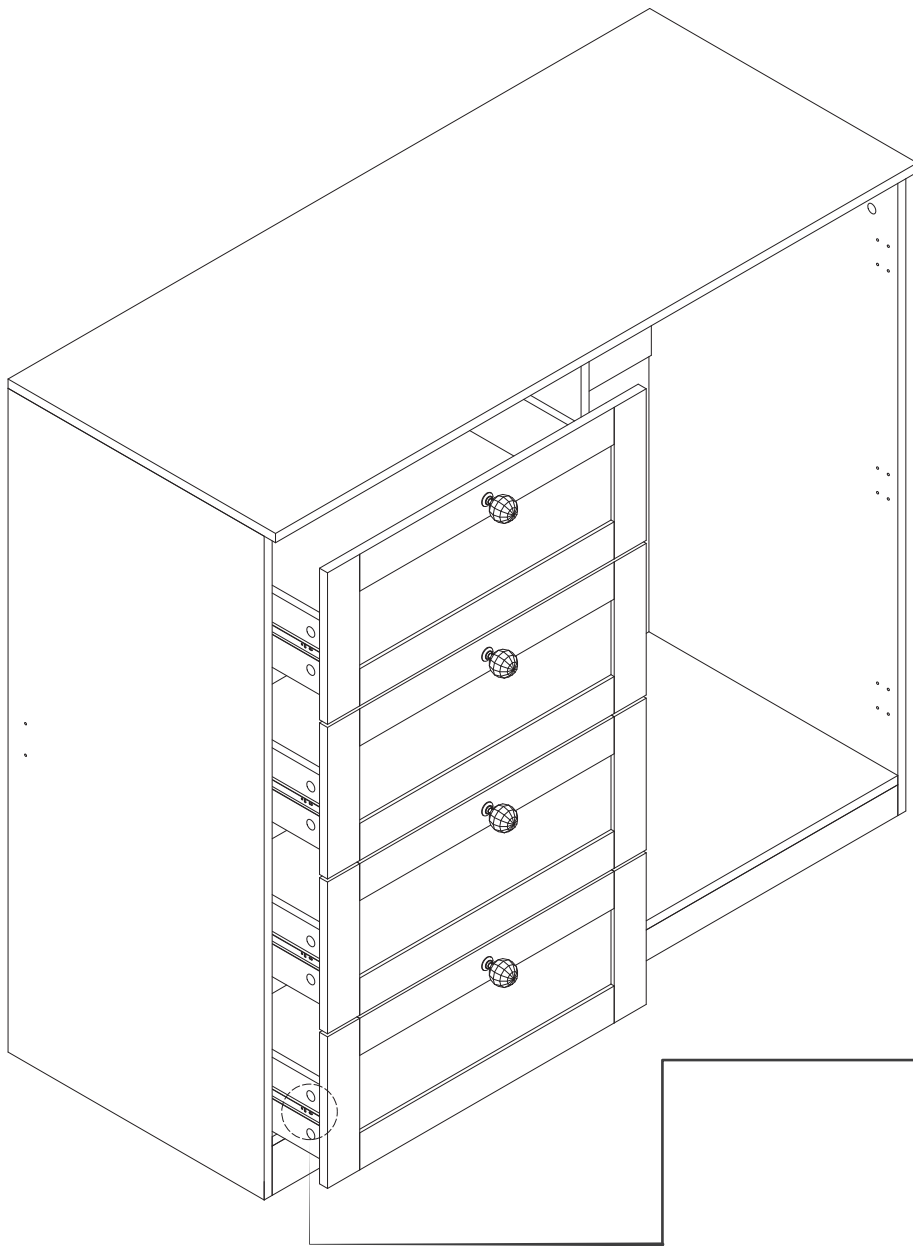
K x24pcs



M3.5*12 mm

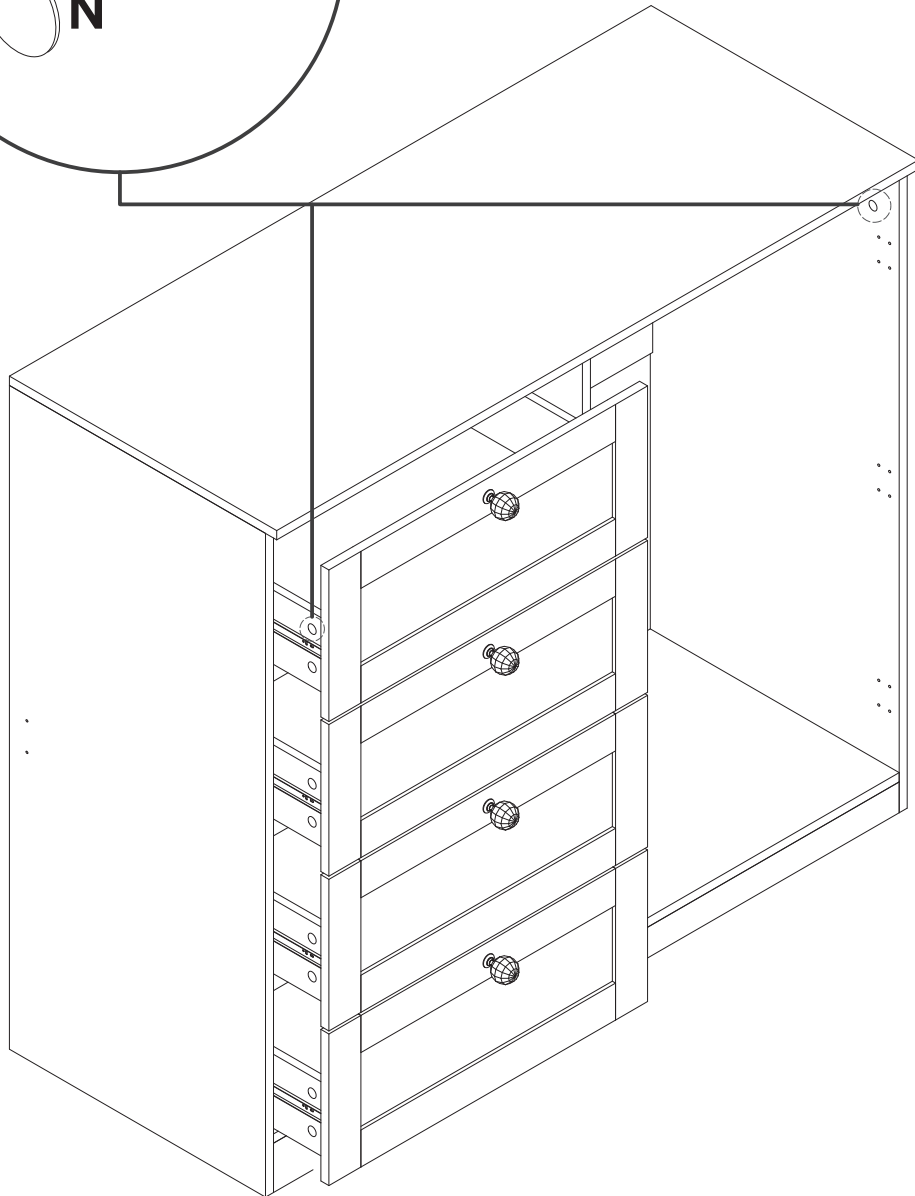
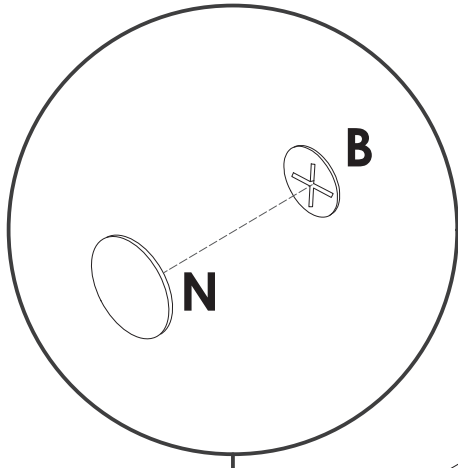
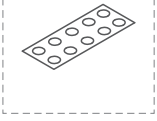


x4



26

N x24pcs



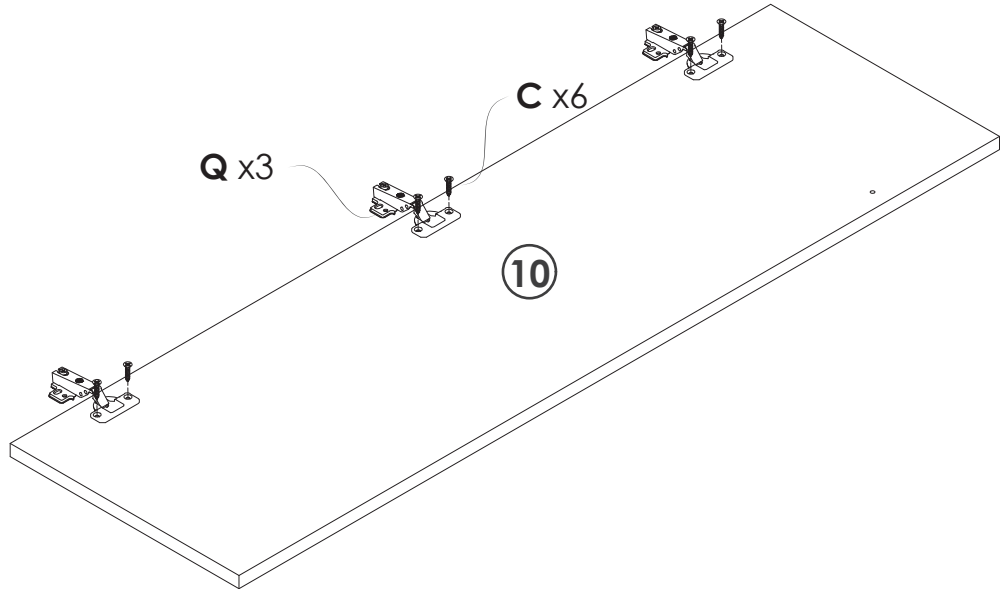
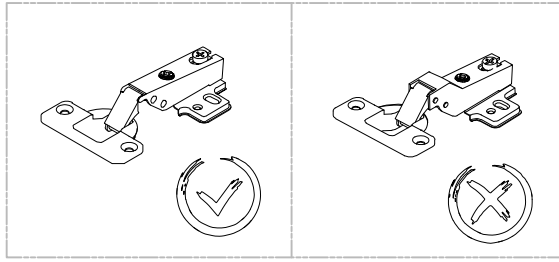
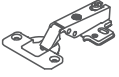
27

C x6pcs



M3.5*14 mm

Q x3pcs



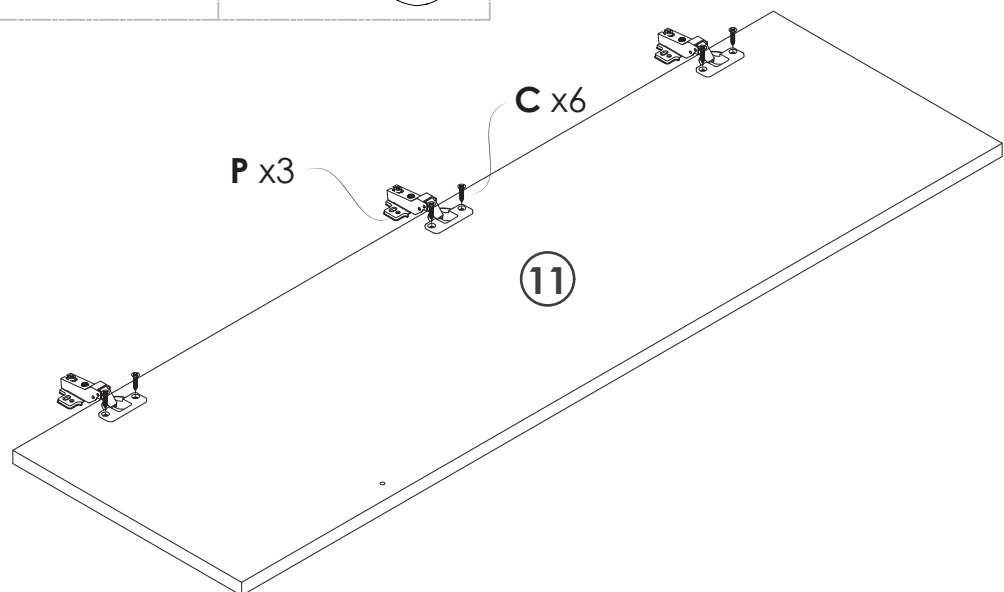
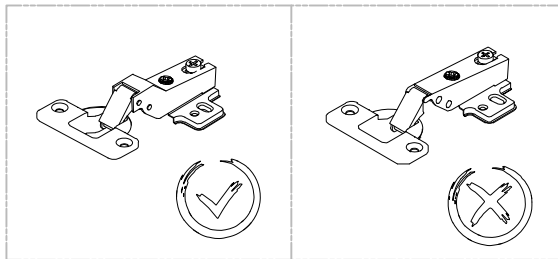
28

C x6pcs



M3.5*14 mm

P x3pcs

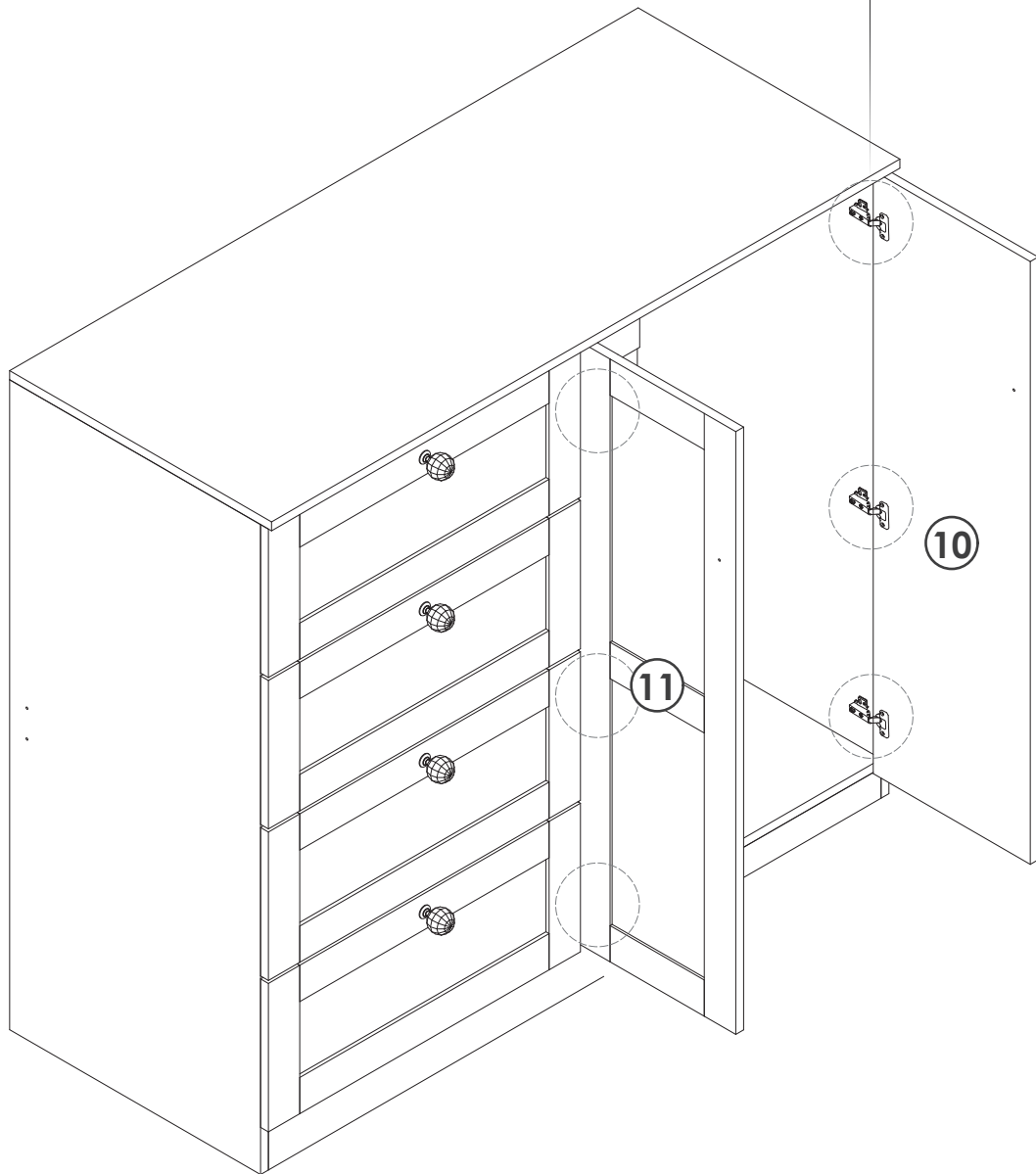
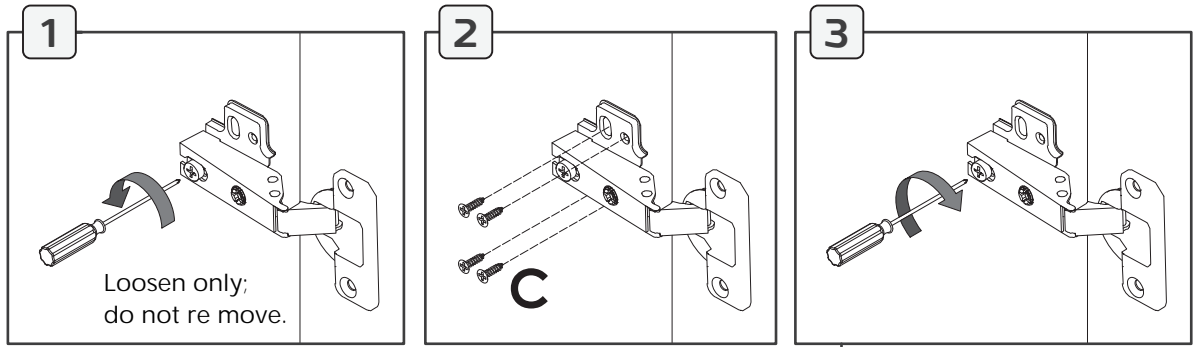


29

C x24pcs



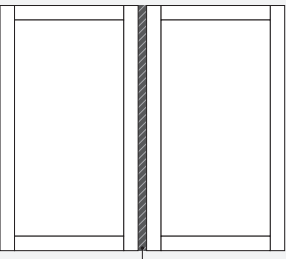
M3.5*14 mm



The ways to adjust the door

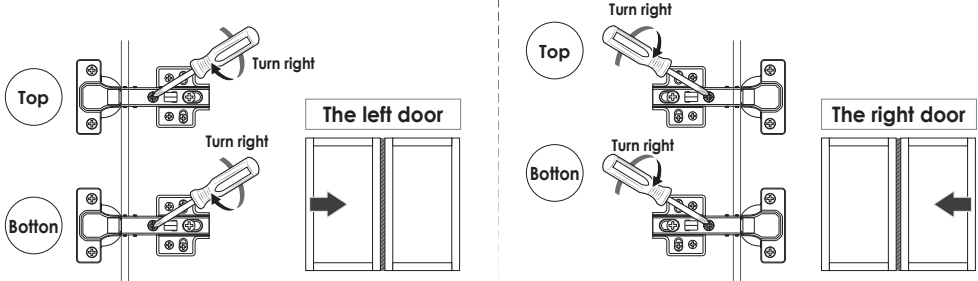
- ▶ Before adjusting the hinge, please check whether the cabinet is skewed.
- ▶ If the skew can not be repaired, adjust the cabinet to vertical position.
- ▶ Please adjust the hinge with the door open.

Obvious gaps between doors or Doors don't look closed



Have gap

1 Turn "internal & external screw" to the right can make the door approach inside. Please adjust the doors little by little.



Top

Bottom

The left door

The right door

Turn right

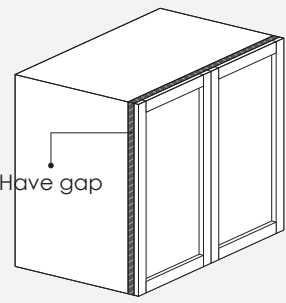
Turn right

Turn right

Turn right

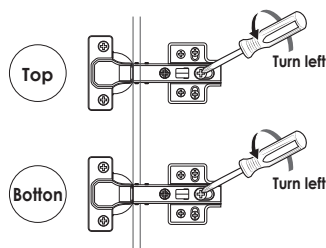
*** If the 2 doors are overlap, please turn the "internal & external screw" to the left.**

When door is crooked



Have gap

1 Rotate the "front and rear screws to the left.



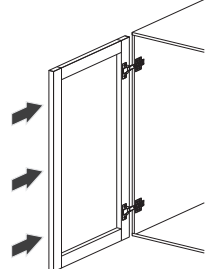
Top

Bottom

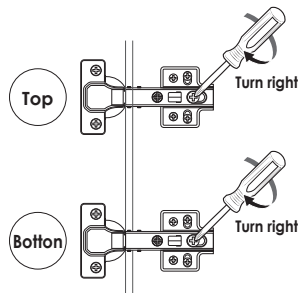
Turn left

Turn left

2 Push the door to the cabinet.



3 Rotate the "front and rear screws to the right.



Top

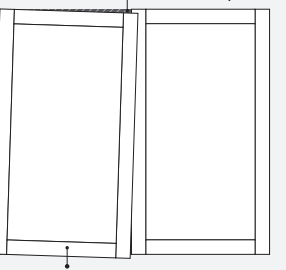
Bottom

Turn right

Turn right

***After adjusting the "front and rear screw", the door still does not change, please turn the "internal & external screw" to the right Slightly.**

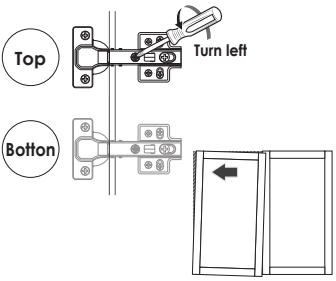
When door is leaning



Overlap

Protruding to the underside

Turn "internal & external screw" to the left can make the top of the door tilted outward.



Top

Bottom

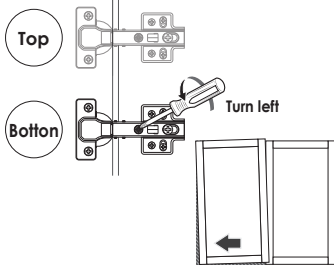
Turn left

Turn left

Protruding to the upside

Overlap

Turn "internal & external screw" to the left can make the bottom of the door tilted outward.



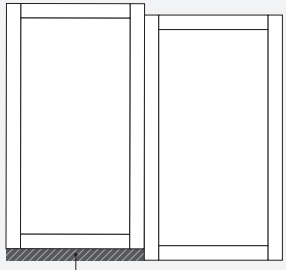
Top

Bottom

Turn left

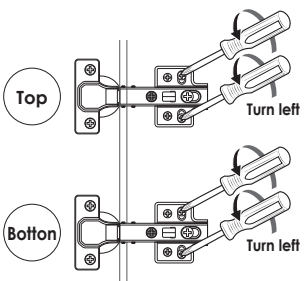
Turn left

When the door is higher on top



Have gap

1 Turn "up & down screw" to the left.



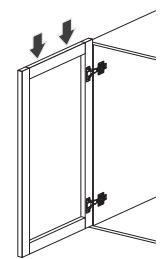
Top

Bottom

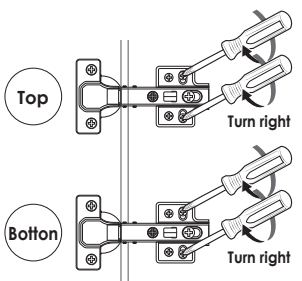
Turn left

Turn left

2 Lower the door's height so that 2 doors are of the same height.



3 Turn "up & down screw" to the right.



Top

Bottom

Turn right

Turn right

***If the door is lower on bottom, please lift up the left door slightly on step 2.**

30

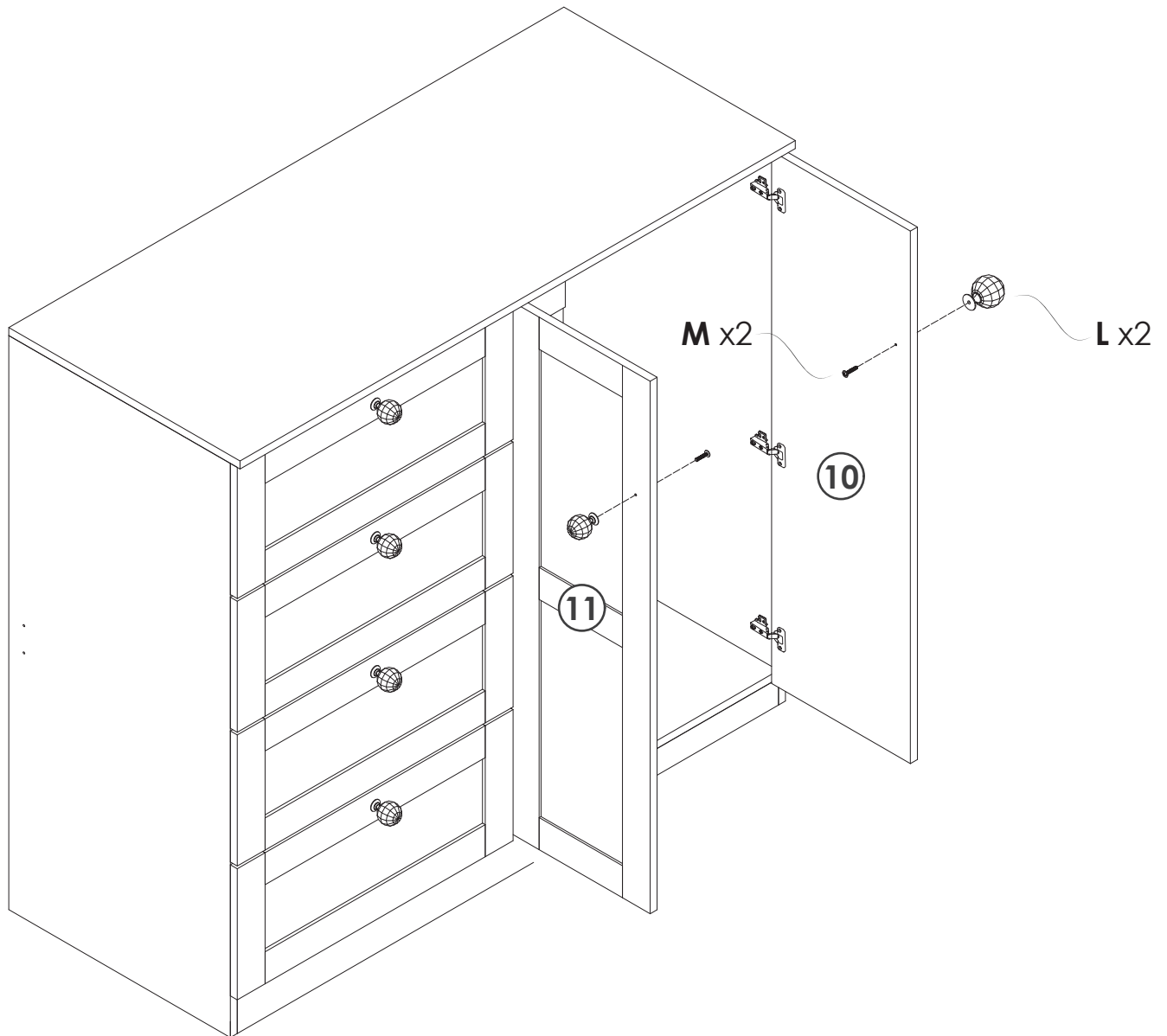
L x2pcs



M x2pcs

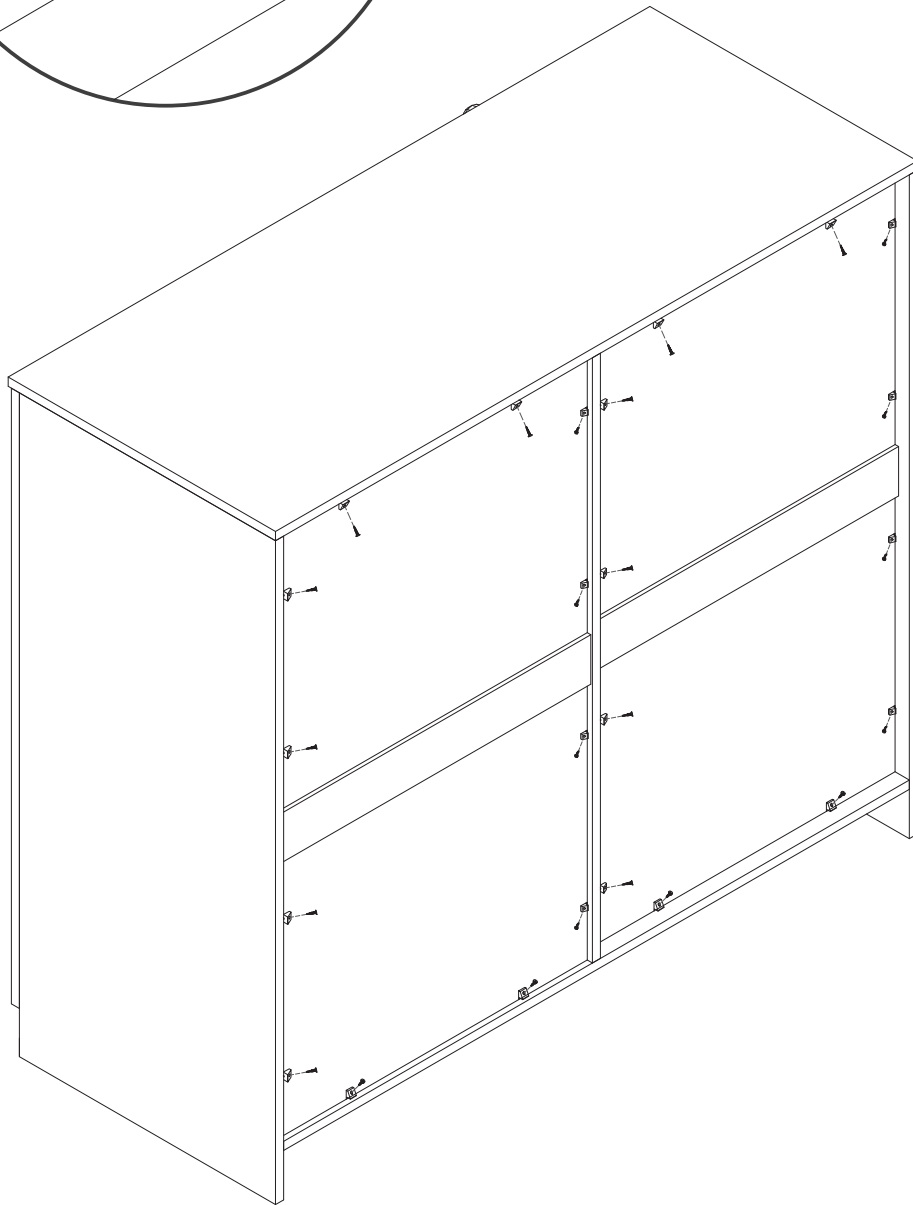
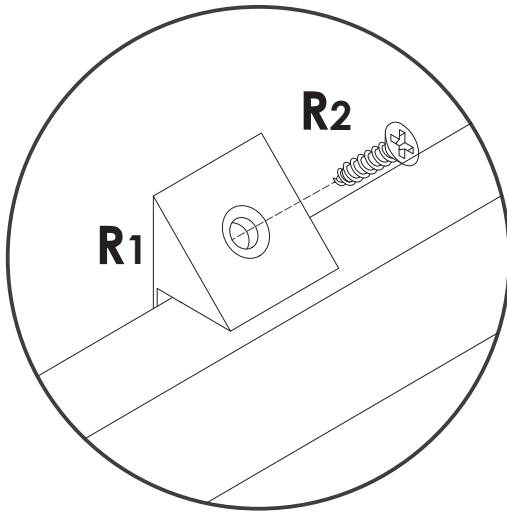


M4*20 mm



31

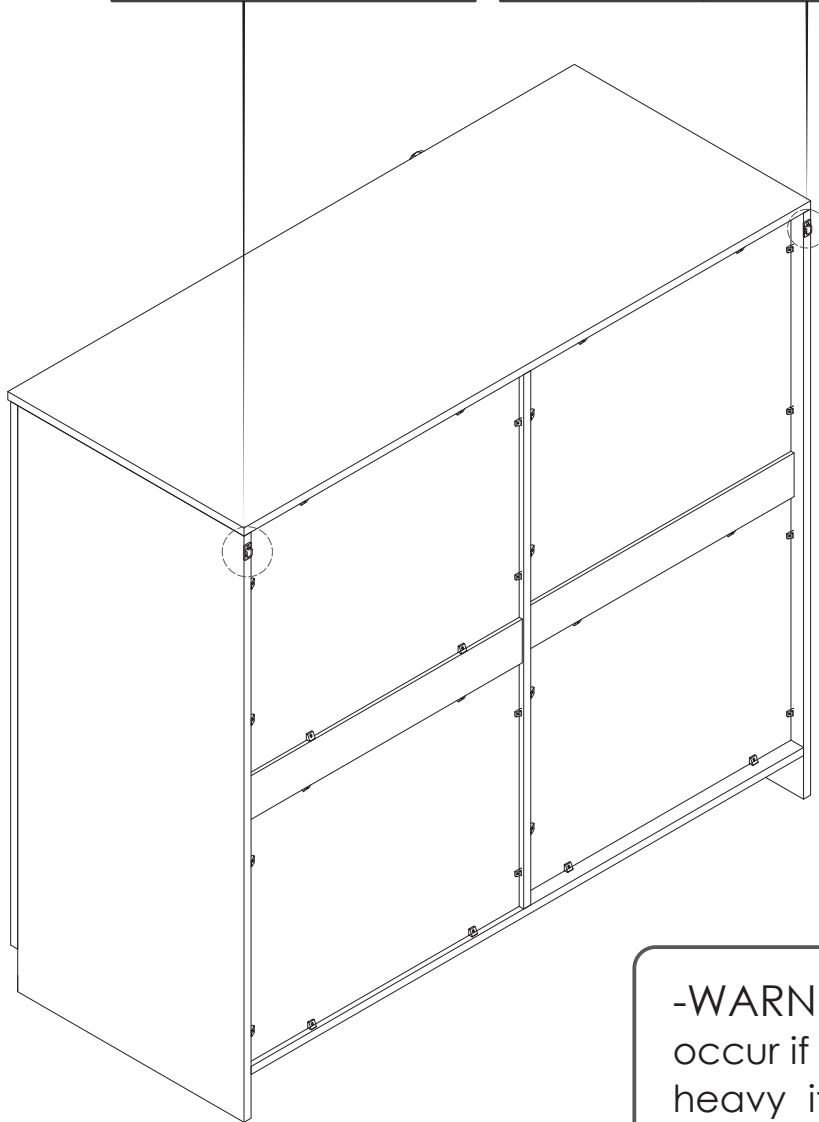
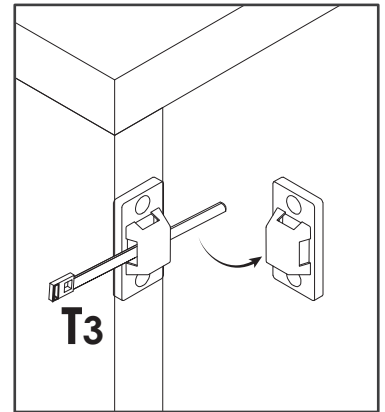
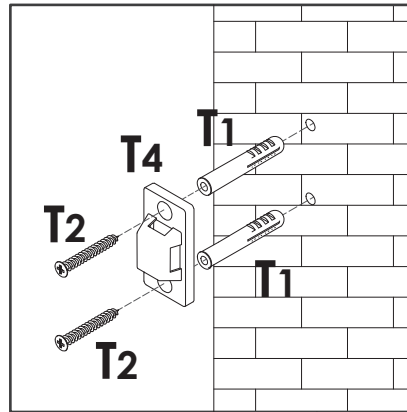
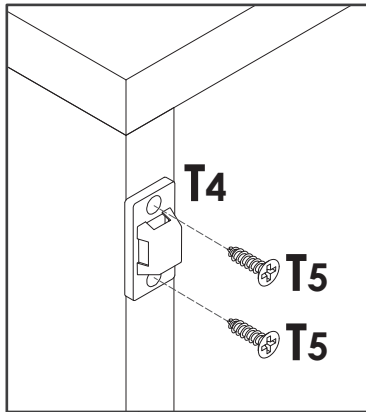
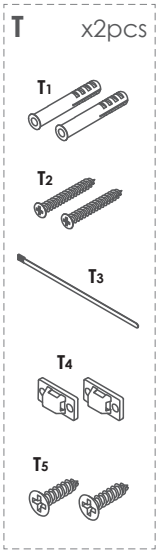
R x24pcs



32

Mandatory!

For safety reasons, we recommend you follow these instructions to install the anti-tipping hardware, when installed properly, this hardware may prevent the unit from tipping unexpectedly.



-WARNING -Serious injury can occur if furniture tips over. Place heavy items on lower shelved and as far back as possible.

