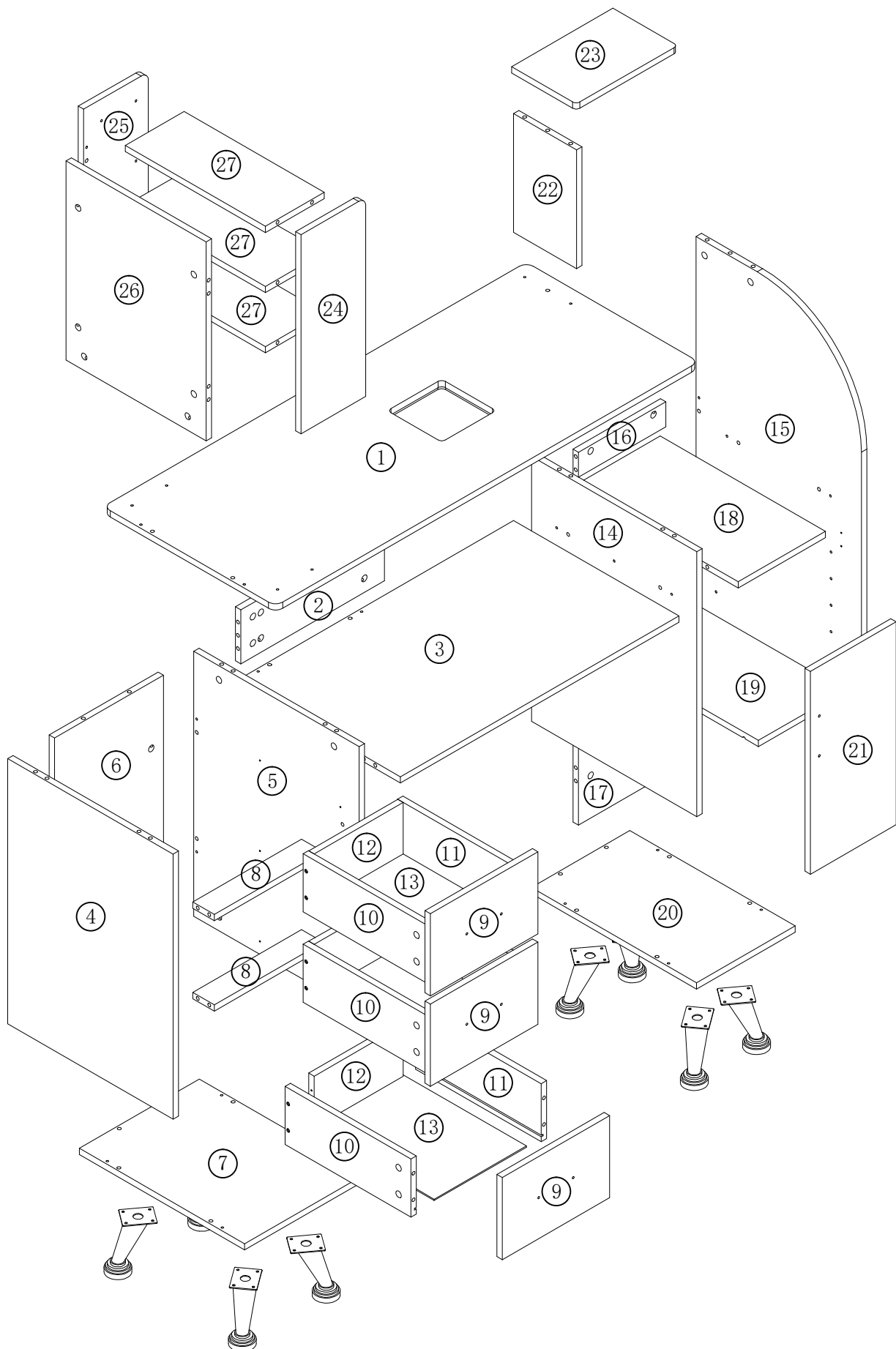
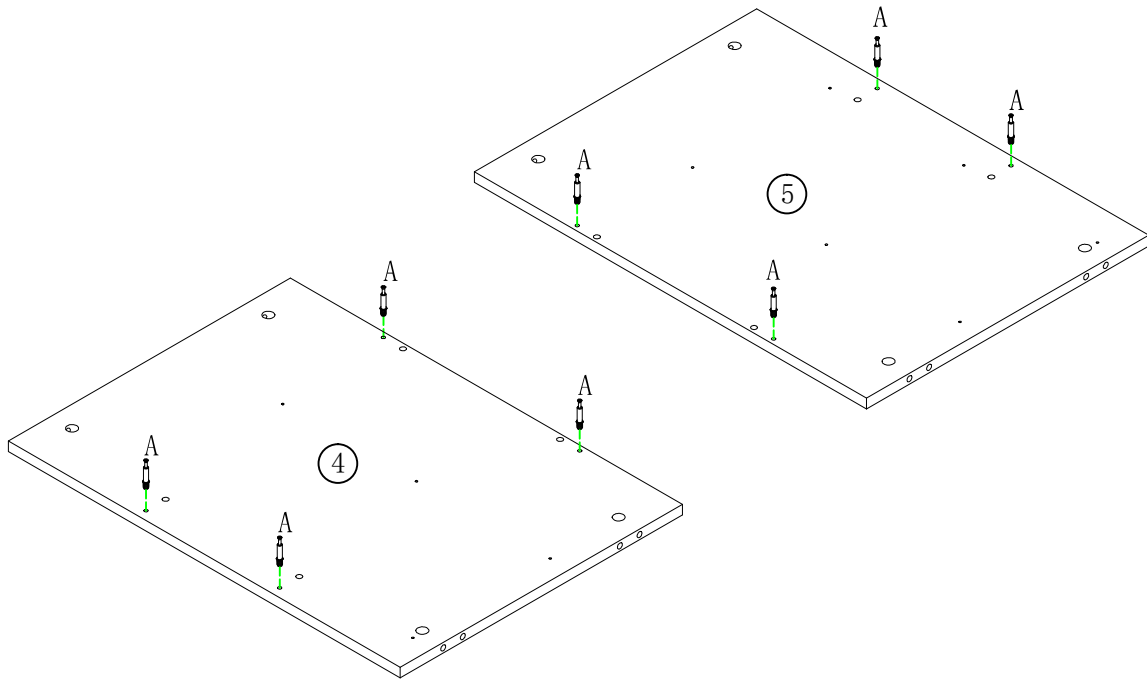



L	X8	M	X4	N	X1	O	X1	P	X1		
 120mm		 M4x18						 200mm			
G	X1	H	X1	I	X3	J	X4	K	X2		
 M3x16		 M3x14		 350mm CL CR DL DR							
A	X84	B	X84	C	X58	D	X84	E	X64	F	X12
 ø6x41mm		 ø15x11		 ø8x40		 ø20		 M3.5x14mm		 M4x35mm	

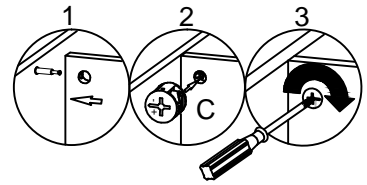
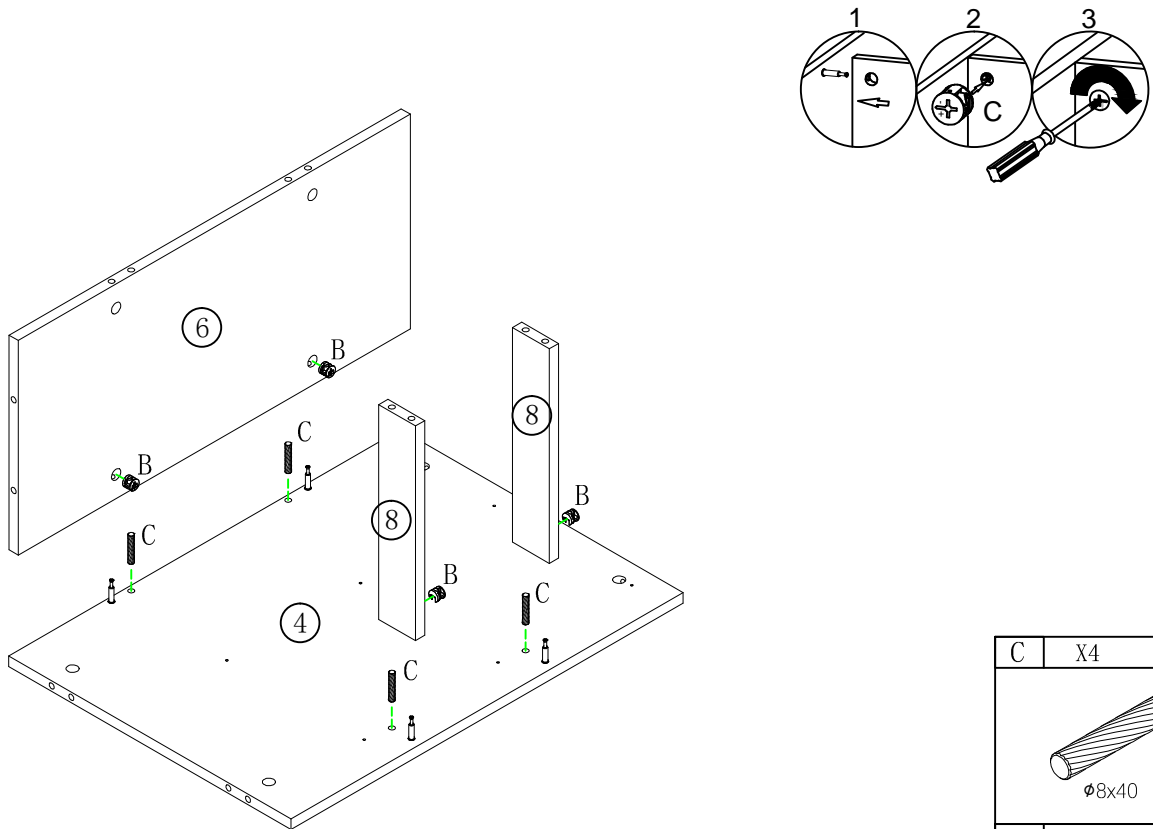


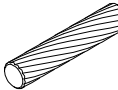

1



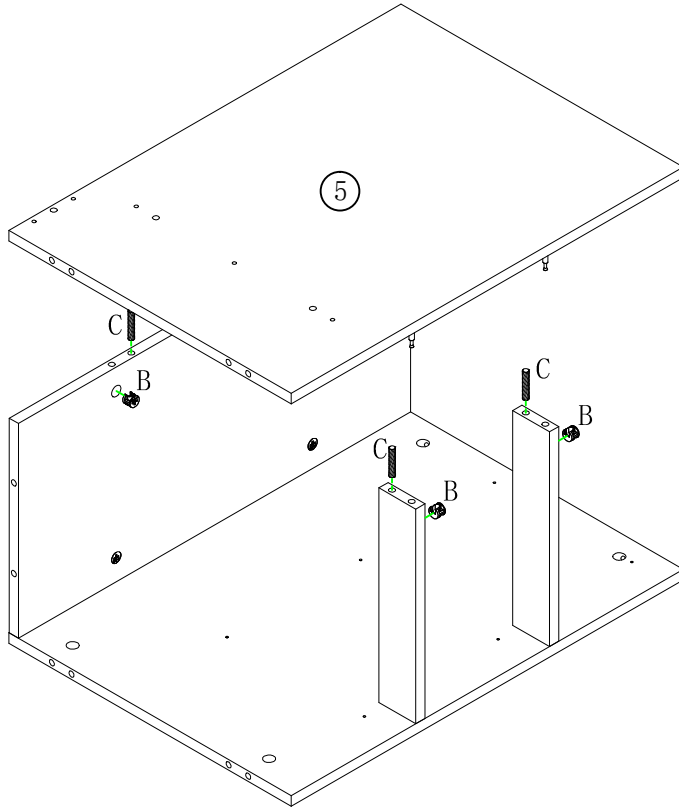
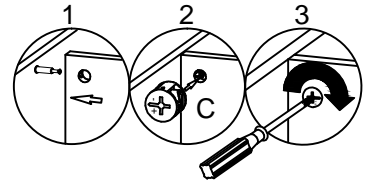
A	X8
	
Ø6x41mm	

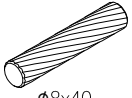

2



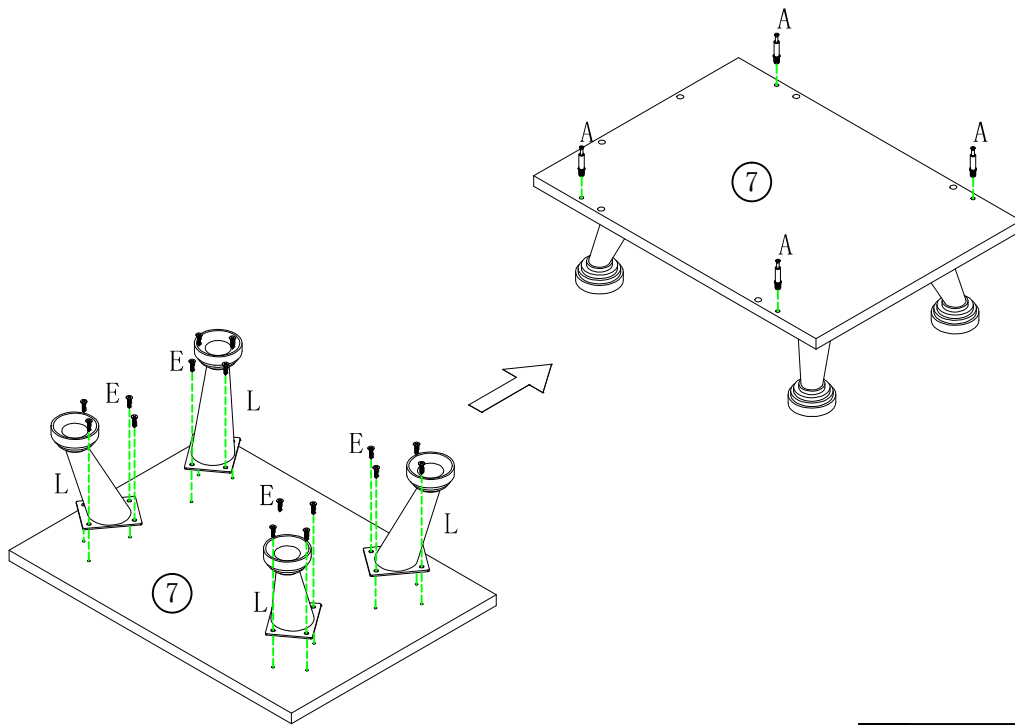
C	X4
	
Ø8x40	
B	X4
	
Ø15x11	


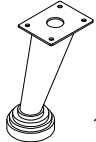

3



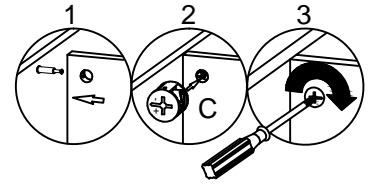
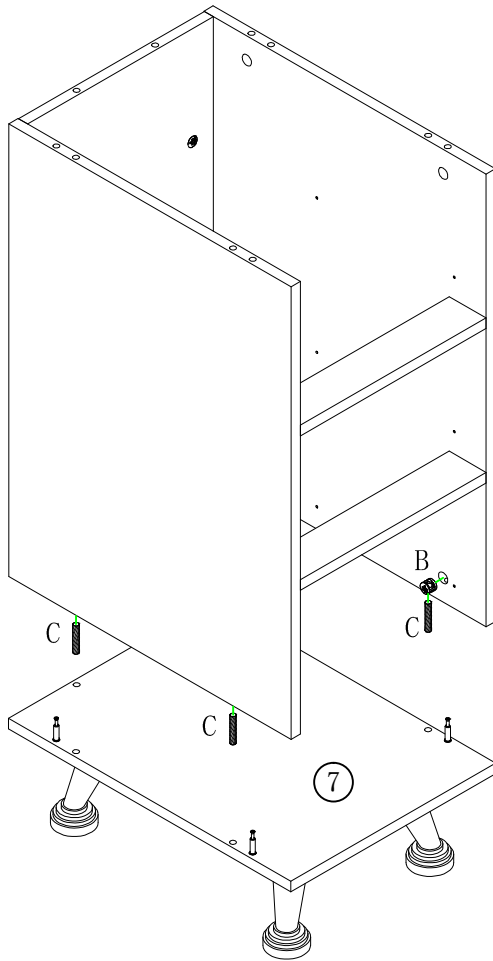
C	X4
 $\phi 8 \times 40$	
B	X4
 $\phi 15 \times 11$	

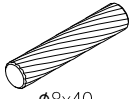

4



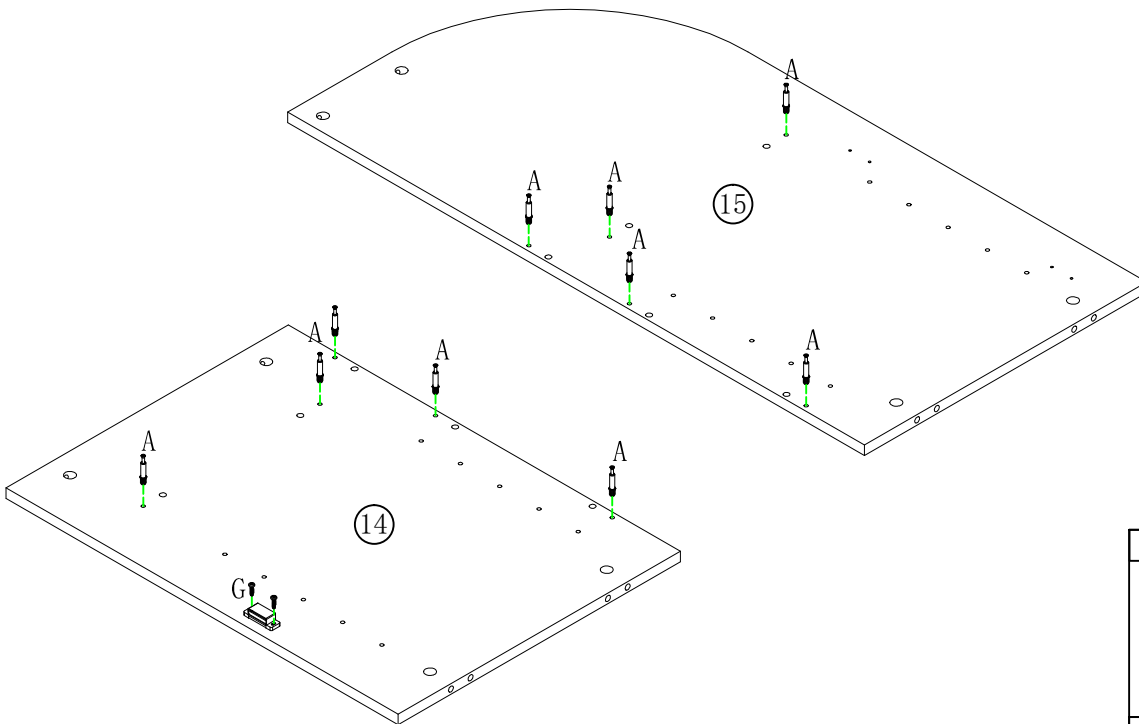
E	X16
 $M3.5 \times 14 \text{mm}$	
L	X4
 120mm	
A	X4
 $\phi 6 \times 41 \text{mm}$	

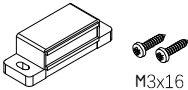

5



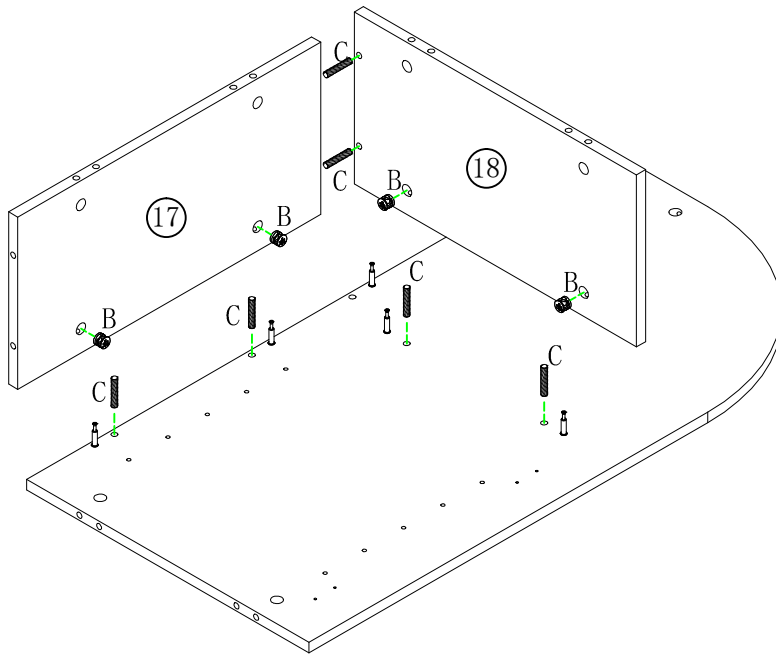
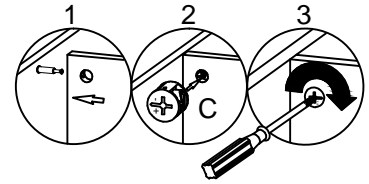
C	X6
 $\phi 8 \times 40$	
B	X4
 $\phi 15 \times 11$	

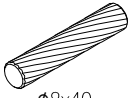

6



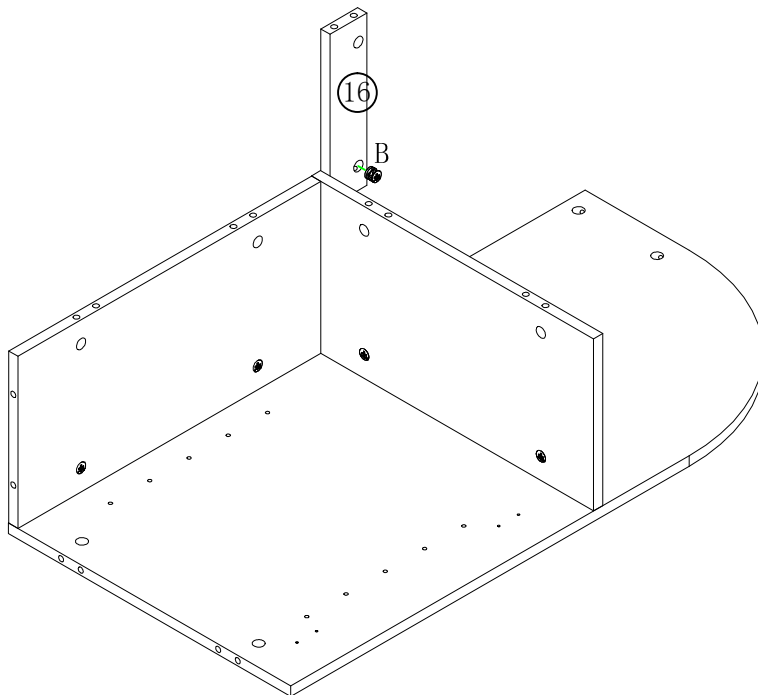
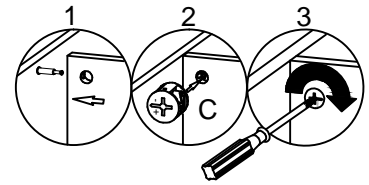
G	X1
 M3x16	
A	X10
 $\phi 6 \times 41 \text{mm}$	

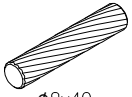

7



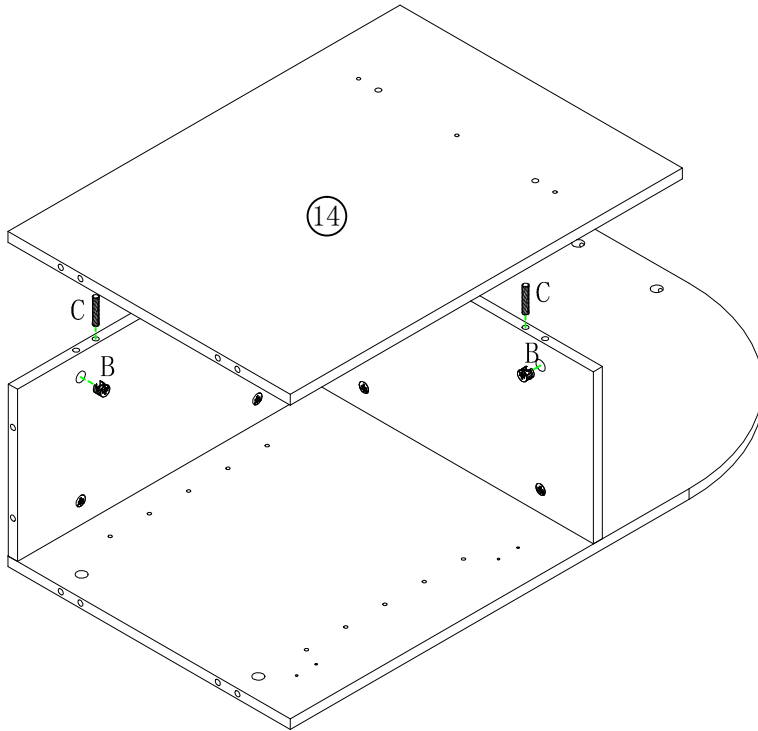
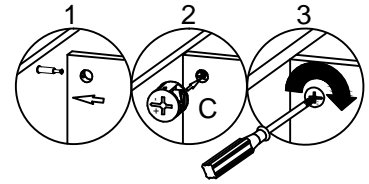
C	X6
 $\phi 8 \times 40$	
B	X4
 $\phi 15 \times 11$	

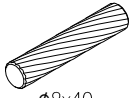

8



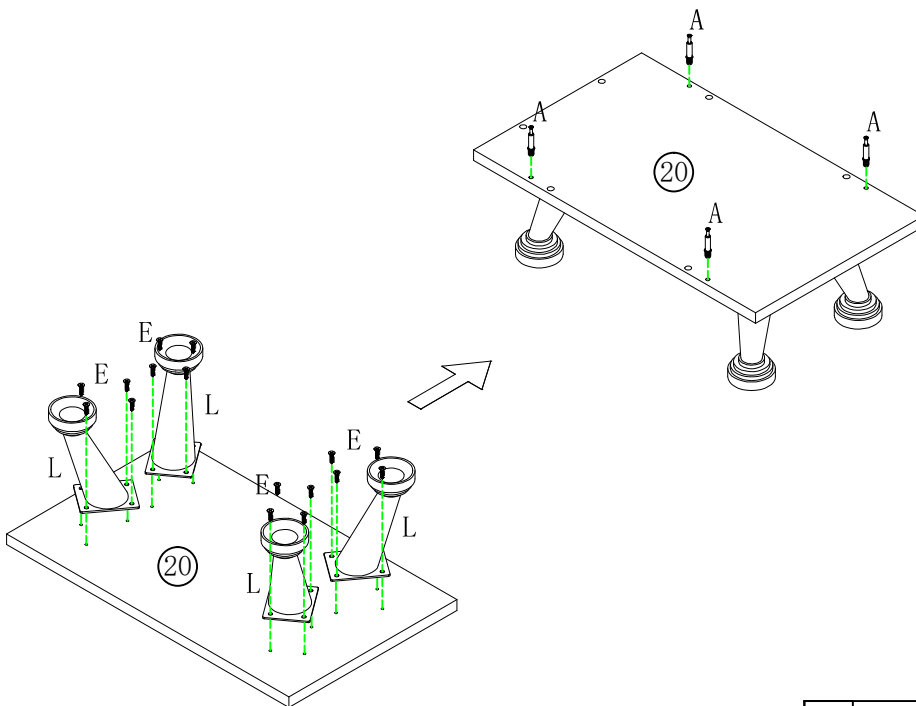
C	X1
 $\phi 8 \times 40$	
B	X1
 $\phi 15 \times 11$	


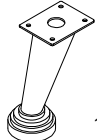

9



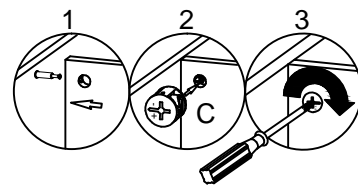
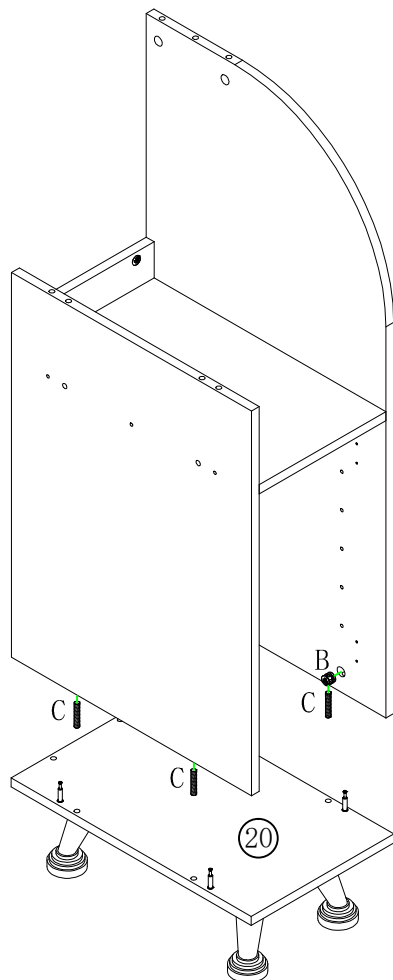
C	X5
 $\phi 8 \times 40$	
B	X5
 $\phi 15 \times 11$	

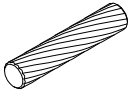

10



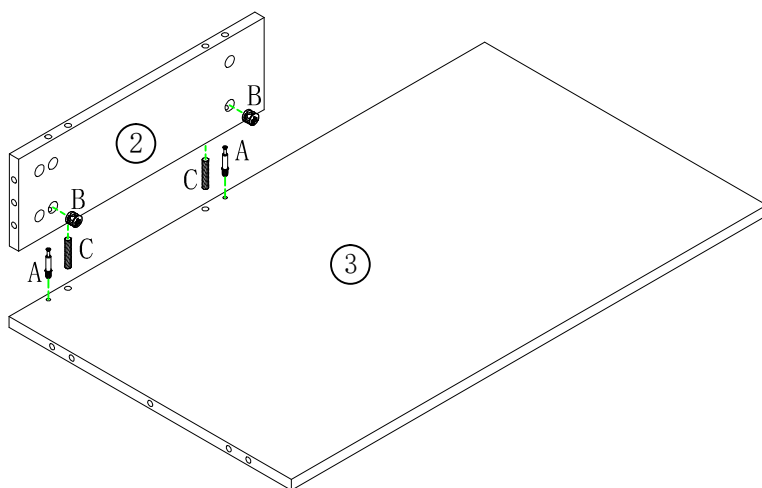
E	X16
 $M3.5 \times 14 \text{mm}$	
L	X4
 120mm	
A	X4
 $\phi 6 \times 41 \text{mm}$	

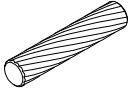


11



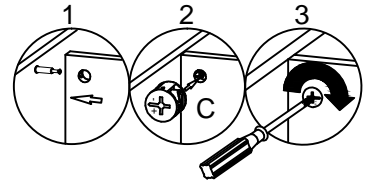
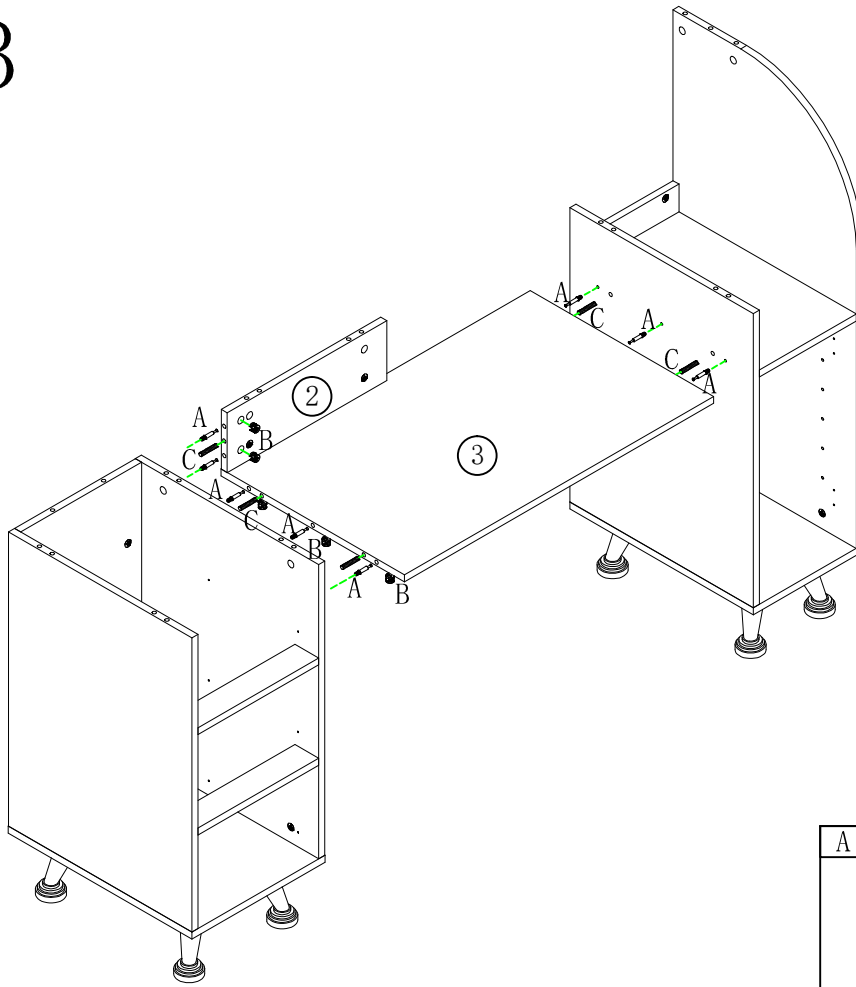
C	X6
 $\phi 8 \times 40$	
B	X4
 $\phi 15 \times 11$	

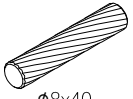


12



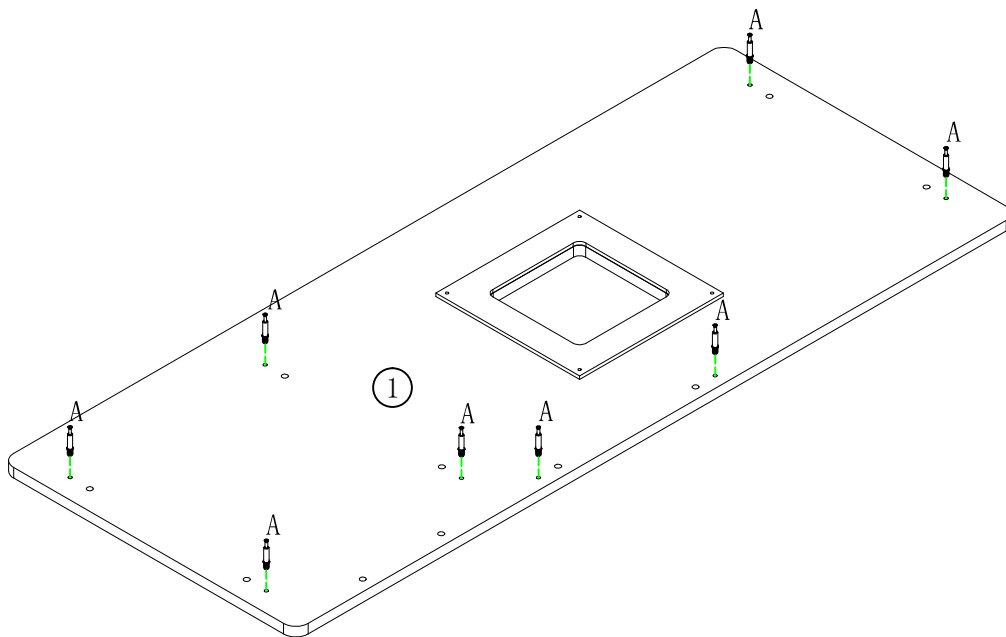
C	X2
 $\phi 8 \times 40$	
A	X2
 $\phi 6 \times 41 \text{mm}$	
B	X2
 $\phi 15 \times 11$	


13



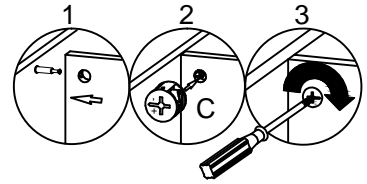
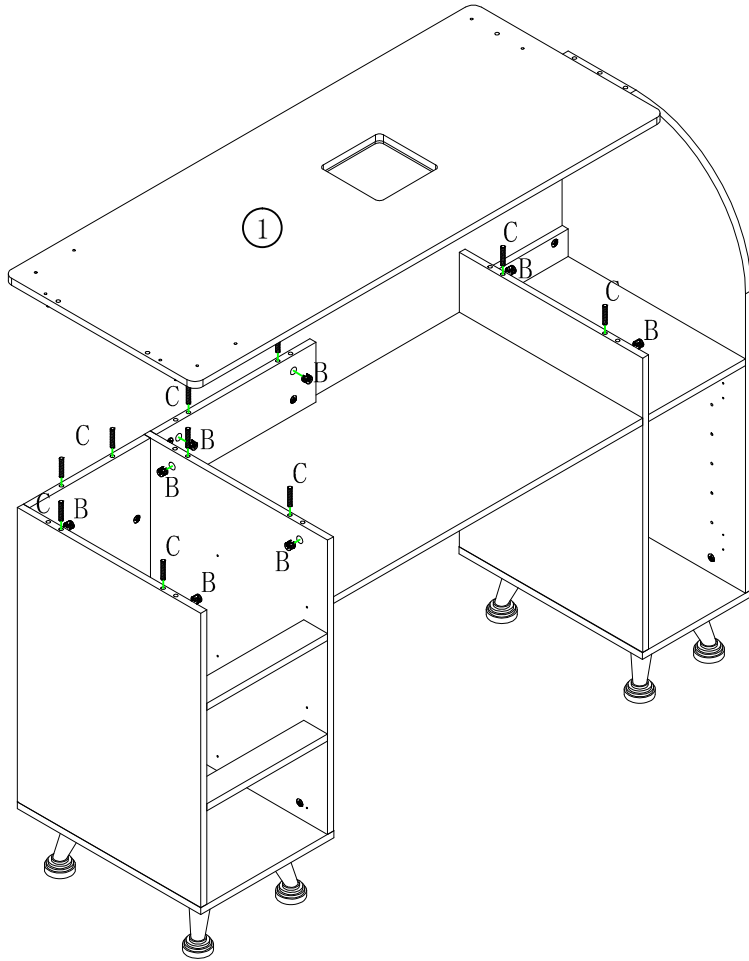
	C	X5
		 Ø8x40
A	X8	B X8
	 Ø6x41mm	 Ø15x11

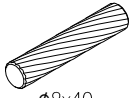

14



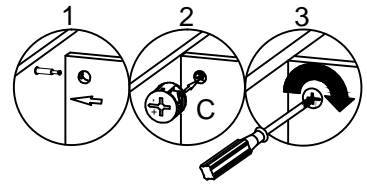
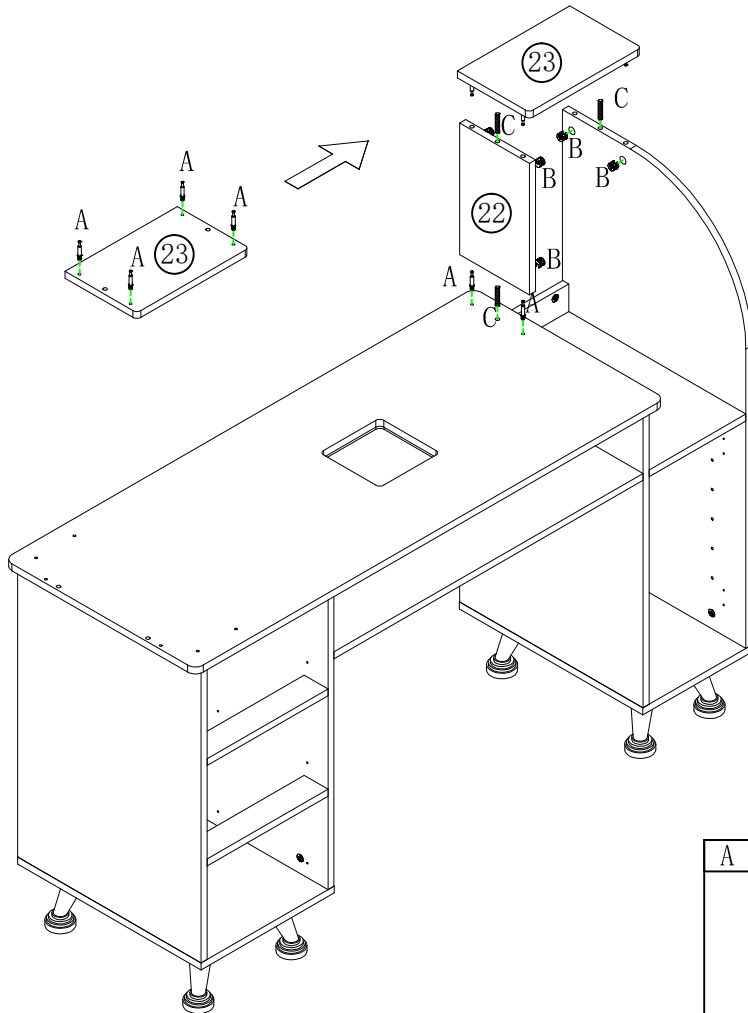
A	X8
	 Ø6x41mm

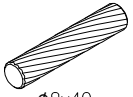


15



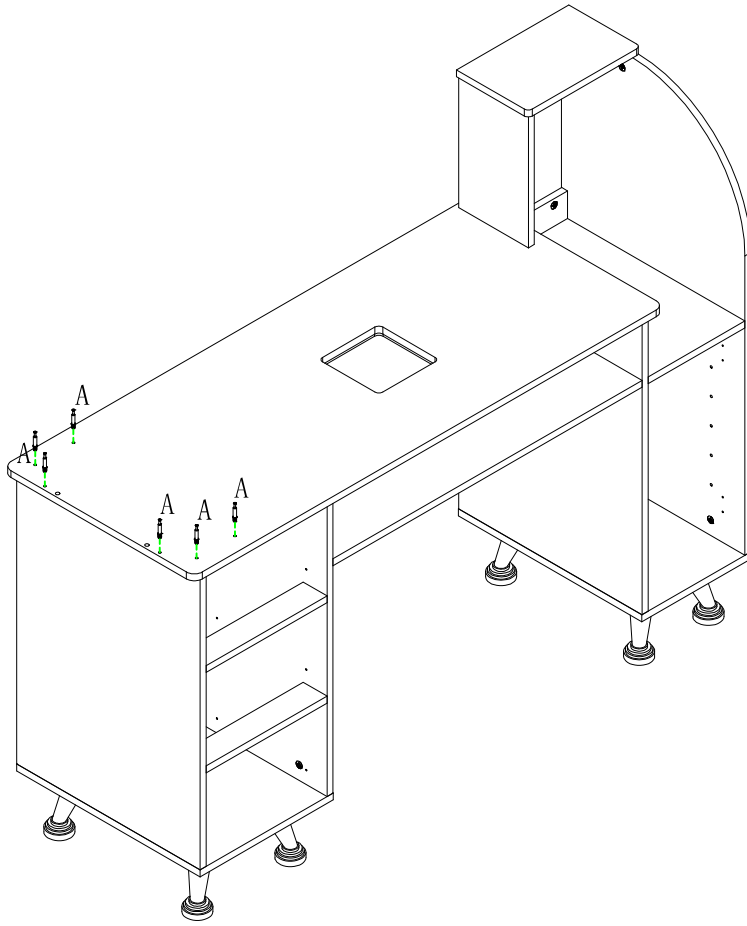
C	X10
 $\phi 8 \times 40$	
B	X8
 $\phi 15 \times 11$	


16



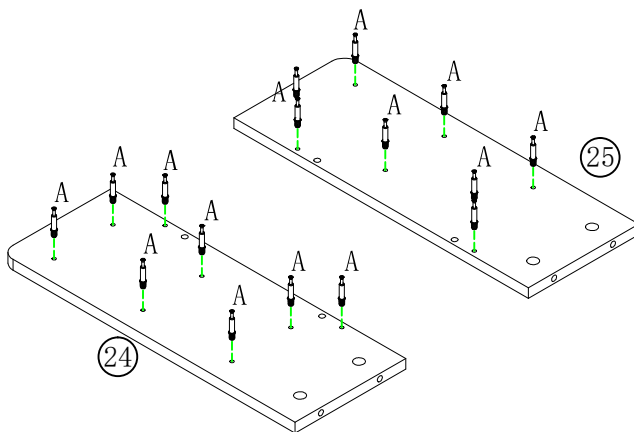
C	X3
 $\phi 8 \times 40$	
A	X6
 $\phi 6 \times 41 \text{mm}$	
B	X6
 $\phi 15 \times 11$	


17



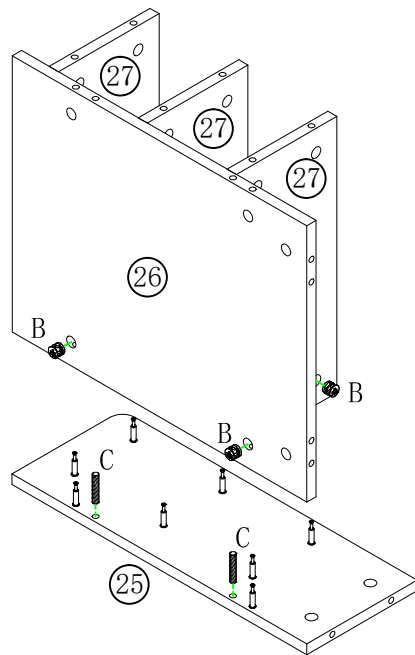
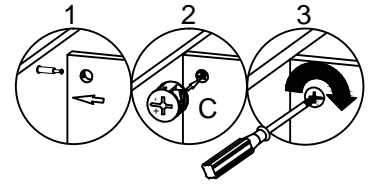
A	X6
	
Ø6x41mm	

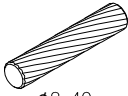

18



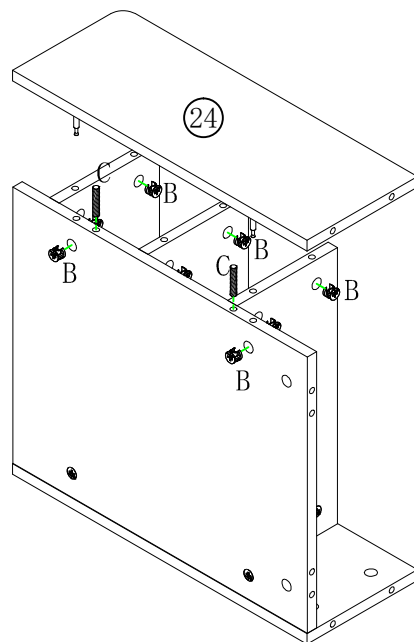
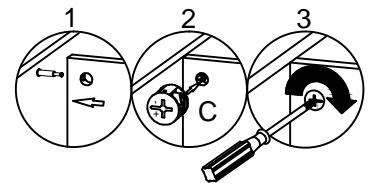
A	X16
	
Ø6x41mm	

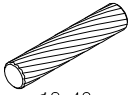

19



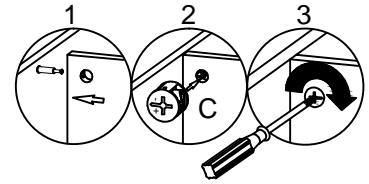
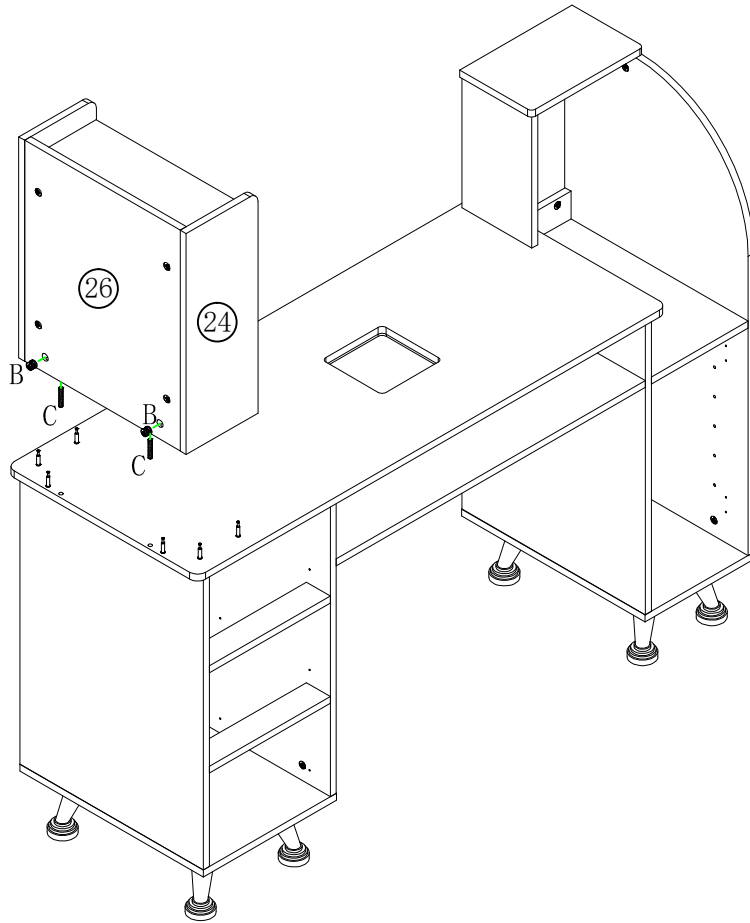
C	X2
 $\phi 8 \times 40$	
B	X8
 $\phi 15 \times 11$	

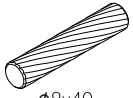

20



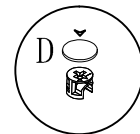
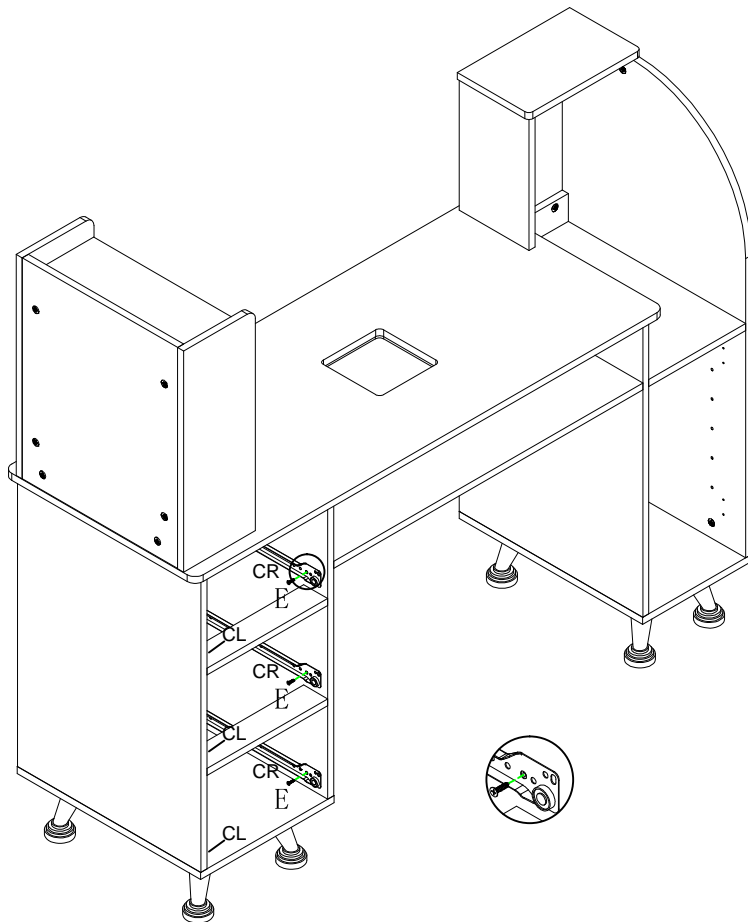
C	X2
 $\phi 8 \times 40$	
B	X8
 $\phi 15 \times 11$	

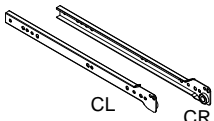


21



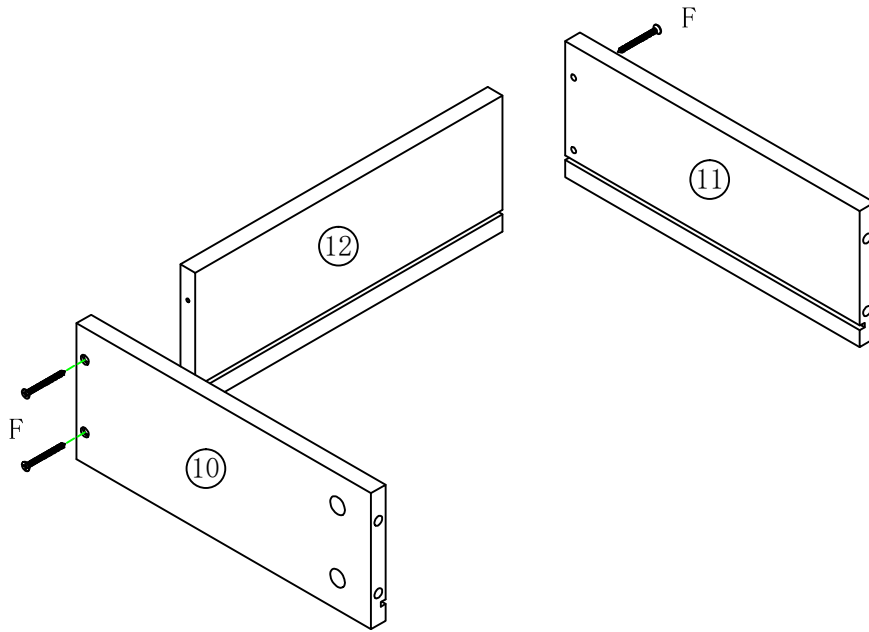
C	X2
 $\phi 8 \times 40$	
B	X6
 $\phi 15 \times 11$	

22




I	X3
 CL CR	
D	X72
 $\phi 20$	
E	X12
 $M3.5 \times 14 \text{mm}$	

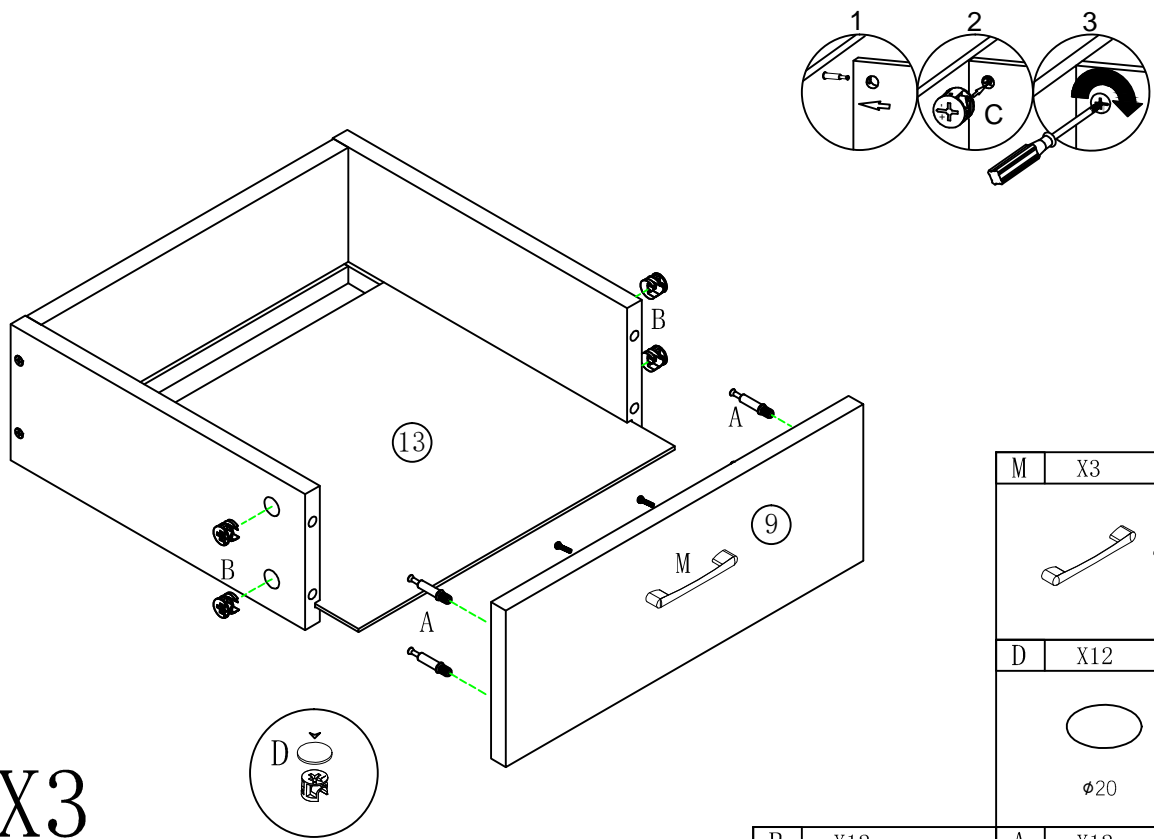
23



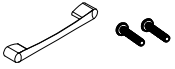



X3

F	X12
	
M4x35mm	

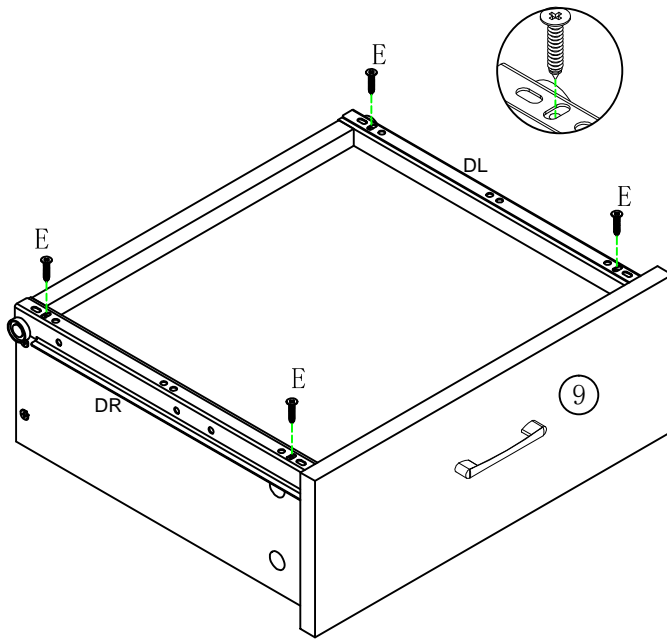
24



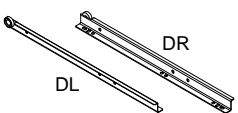

X3

M	X3
	
M4x18	
D	X12
	
φ20	
B	X12
	
φ15x11	
A	X12
	
φ6x41mm	

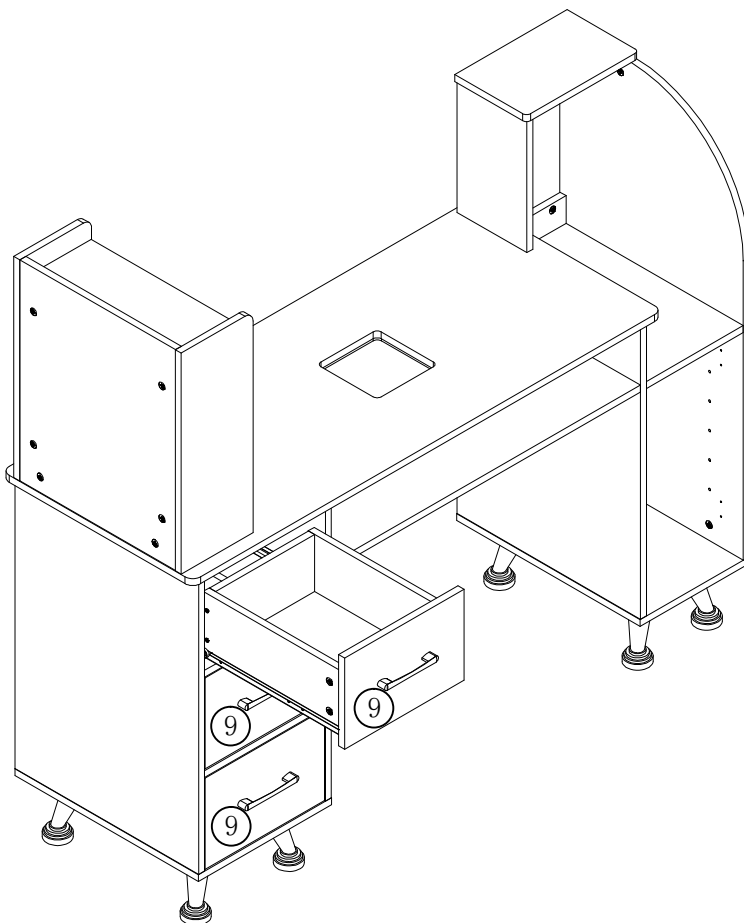
25



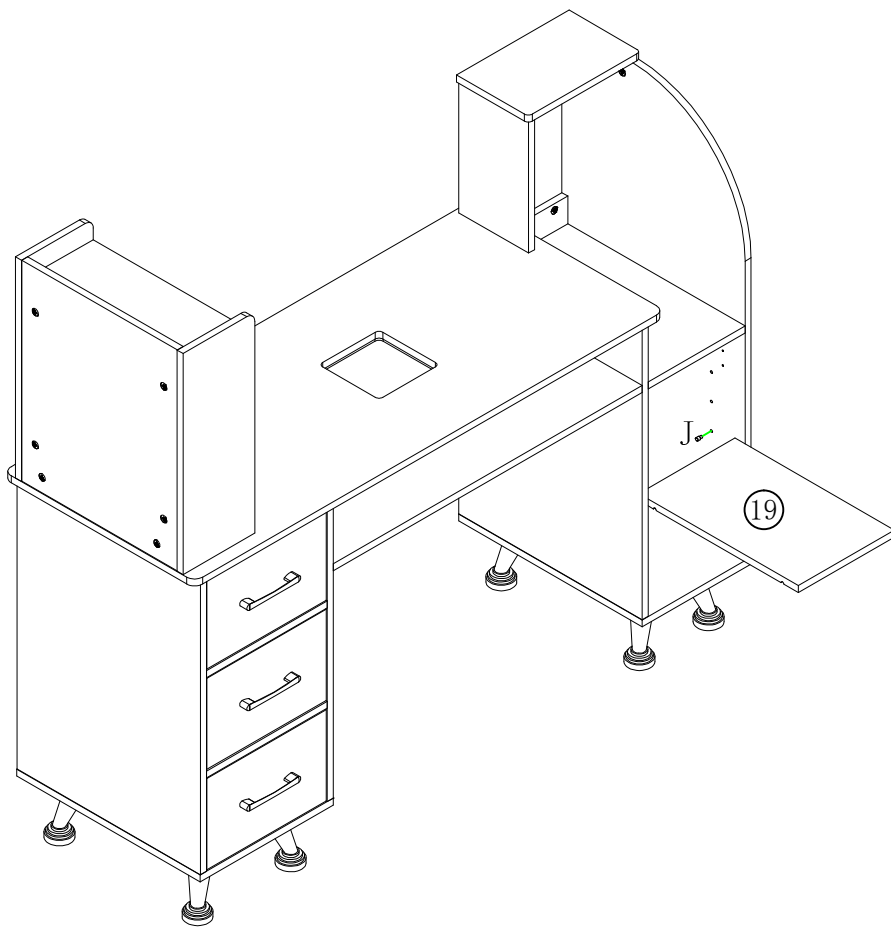
X3

I	X3	E	X12
			M3.5x14mm

26

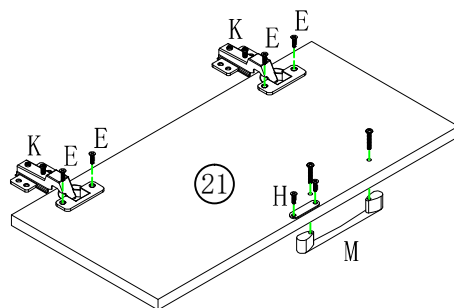


27



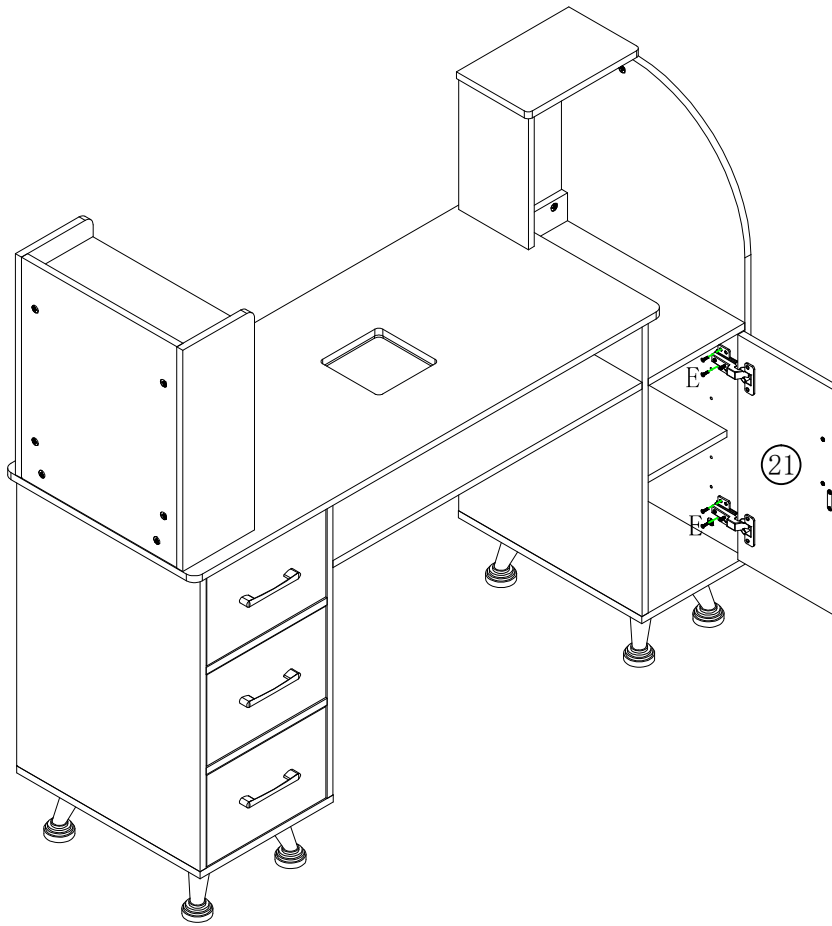
J	X4


28



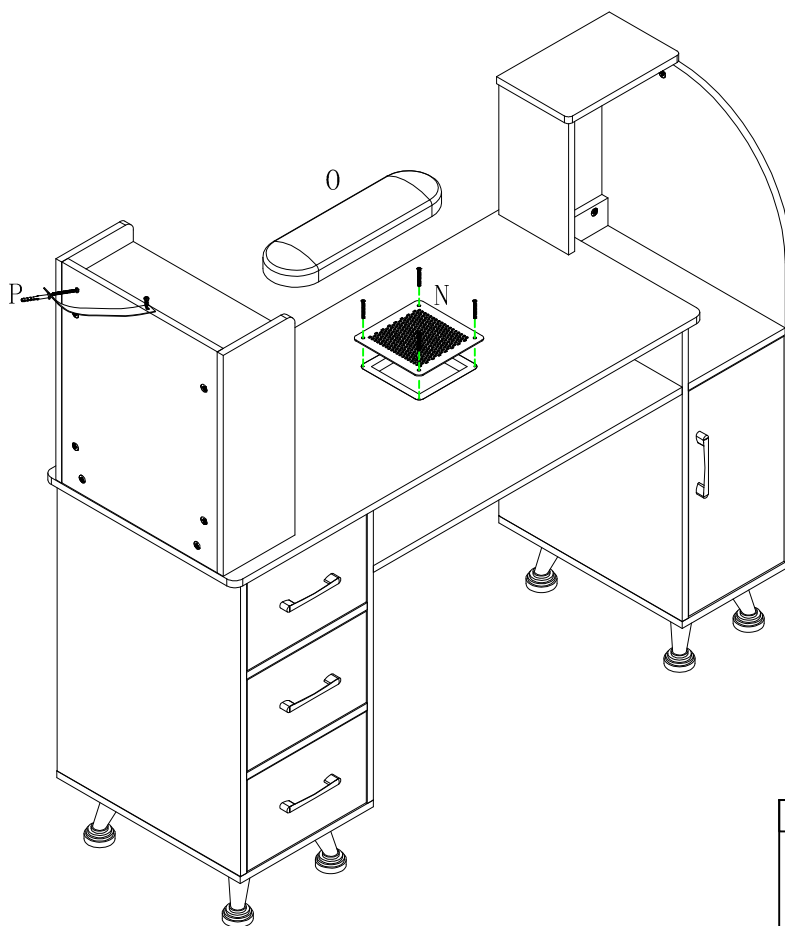
M	X1	K	X2
M4x18			
H	X1	E	X4
M3x14		M3.5x14mm	

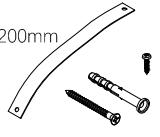
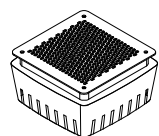
29



E	X4
	
M3.5x14mm	

30



P	X1
	
200mm	
N	X1
	
O	X1
