
As products sales, we are trying not to make shoppers waste time choosing between quality and value. We strive to optimize all product aspects, let our friends who choose us get the best. That's our original intention and always!

The expression of your satisfaction is a great encouragement to us! So if the product arrives in your hands with some defects please feel free to contact us. Friendly customer service staff will help you solve everything!!

We sincerely hope that our efforts will be recognized by you, and we hope that HAHA will continue to bring you surprises in the future.

WE SINCERELY BE ALWAYS WITH YOU!

! NOTICE PLEASE READ THE FOLLOWING INSTRUCTIONS FOR REFERENCE

- Please do not exceed the weight limit for this item!!!
- Do not stand on or use any part of the item as a stepping ladder.
- Firmly secure all bolts screws and knobs before use.
- Re-confirm all bolts, screws and knobs are secure every 90 days.
- Do not store this item near open flames or flammable chemicals.
- If any parts is missing, damaged, or worn, stop using the product and instruct for repair or factory replacement parts.
- Do not use this item in a way inconsistent with the manufacturer's instructions, as this will void the product warranty.
- Please keep this item away from bug repellent, weed spray or any other bug spray. This item's material will react with these chemicals, which will make it discolored.
- If this item has scratches during using it, because the surface color is integral to the inside, you can use sanding sponge to polish it, it will be the same as new again.

PRODUCT WARRANTY INFORMATION.

All items can be returned for any reason within 30 days of receipt and will receive a full refund as long as the altered item is returned in its original product packaging and includes all accessories from its original shipment. Once the product has been received by HAHA the refund will be processed within 3 business days.

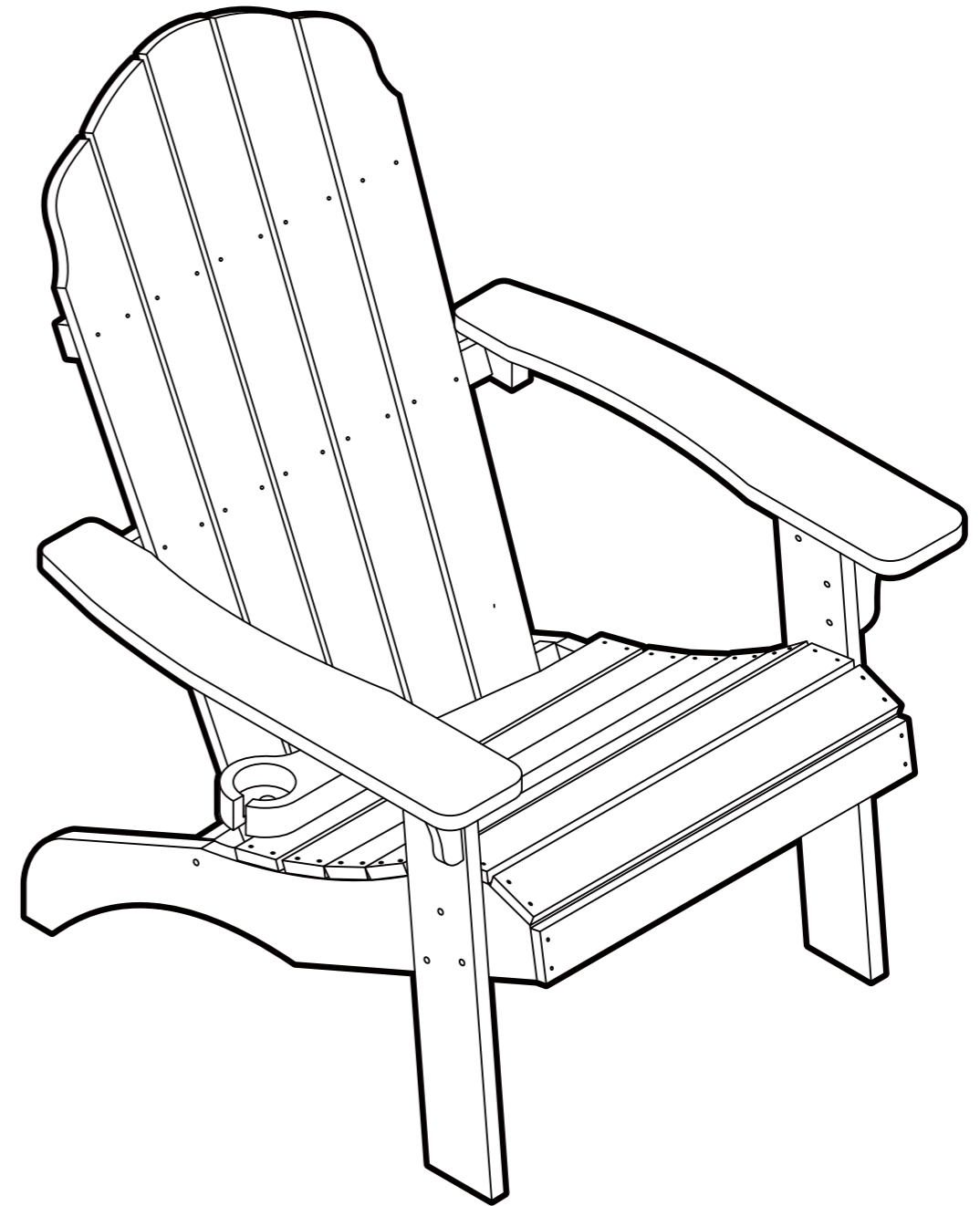
All returns must be shipped back to the HAHA warehouse or Amazon warehouse at customer's expense. If the reason for return is a result of an error by HAHA warehouse or Amazon warehouse, it will prepare a pre-paid shipping label. Some returns may require pictures to ensure items are not damaged prior to return. Returned items are not considered undamaged until they have been received and verified by HAHA. All items damaged are the responsibility of the customer until the product is received by HAHA and verified to be in good condition.

All products have a 3-year warranty, during which we will provide free spare parts if any parts are damaged (but you need to bear reasonable shipping costs)

! WARNING MANUFACTURER AND SELLER EXPRESSLY DISCLAIM ANY AND ALL LIABILITY FOR PERSONAL INJURY, PROPERTY DAMAGE OR LOSS, WHETHER DIRECT, INDIRECT, OR INCIDENTAL, RESULTING FROM INCORRECT ACCESSORIES, IMPROPER USE, INADEQUATE MAINTENANCE, UNAPPROVED MODIFICATIONS OR NEGLIGENCE OF THIS PRODUCT.

ADIRONDACK CHAIR

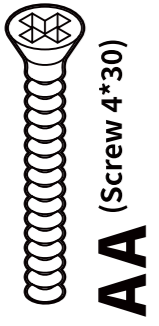
OVERSIZED



STEP 5

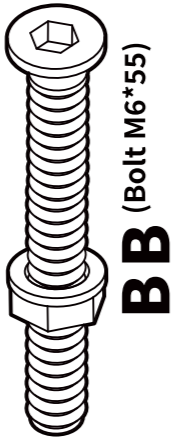


***In order to avoid the chair shaking
make sure that the screws are tightened
fully after every step***



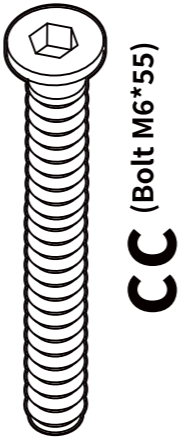
AA
(Screw 4*30)

4PCS



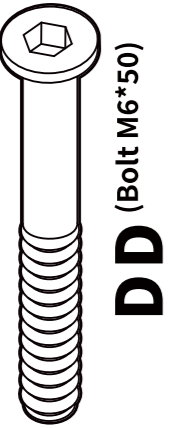
BB
(Bolt M6*55)

8PCS



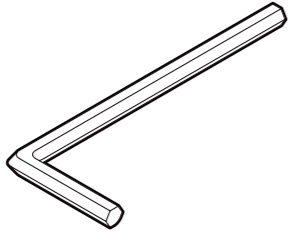
CC
(Bolt M6*55)

4PCS

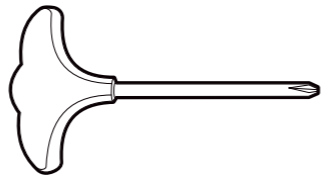


DD
(Bolt M6*50)

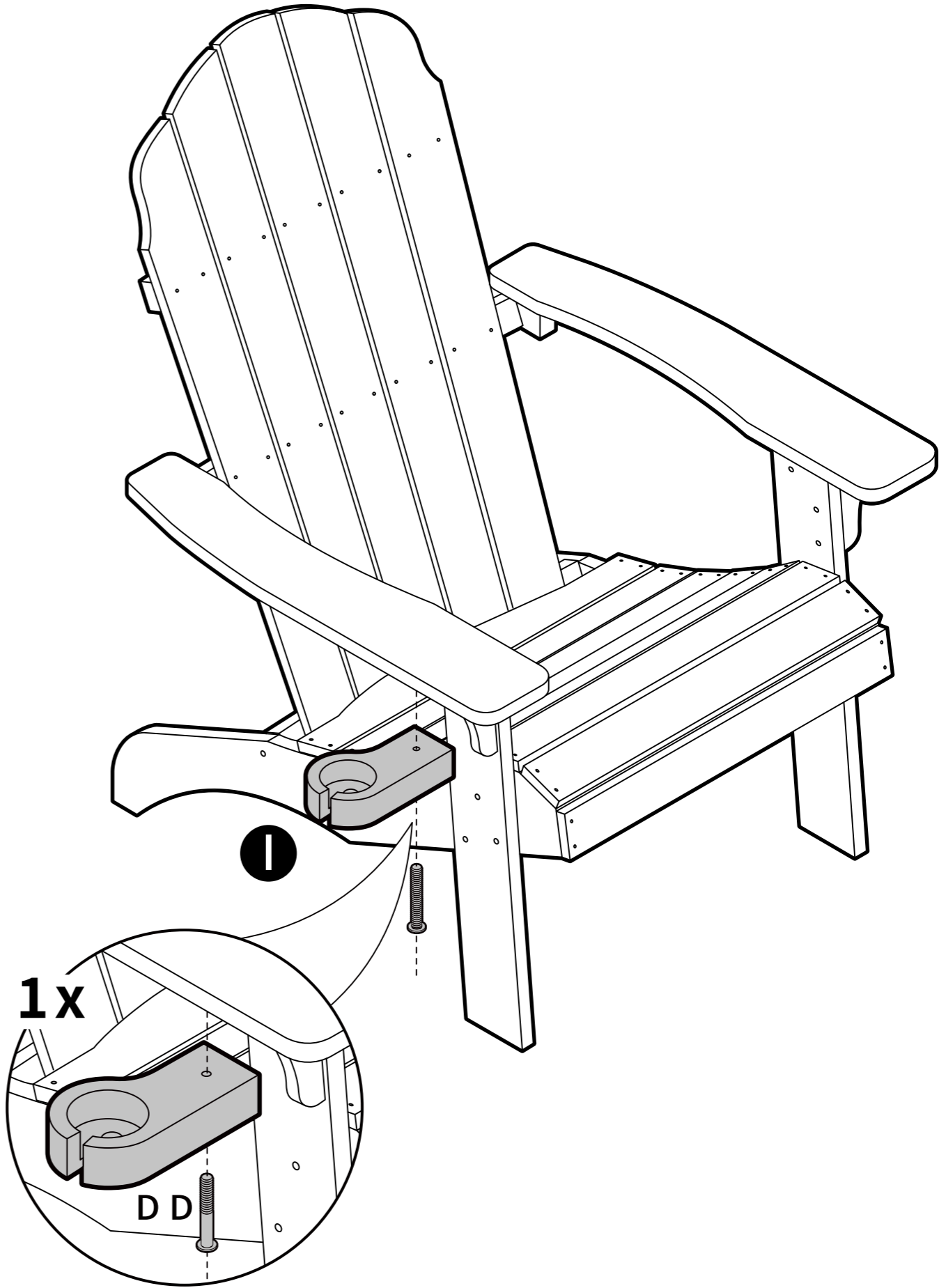
1PC



1SET



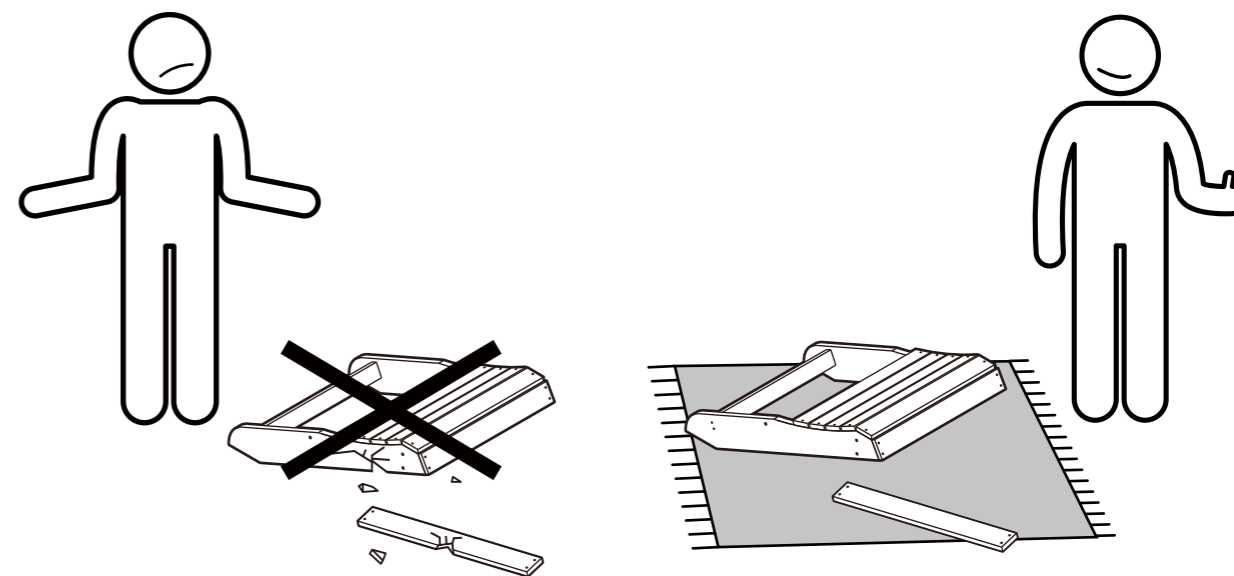
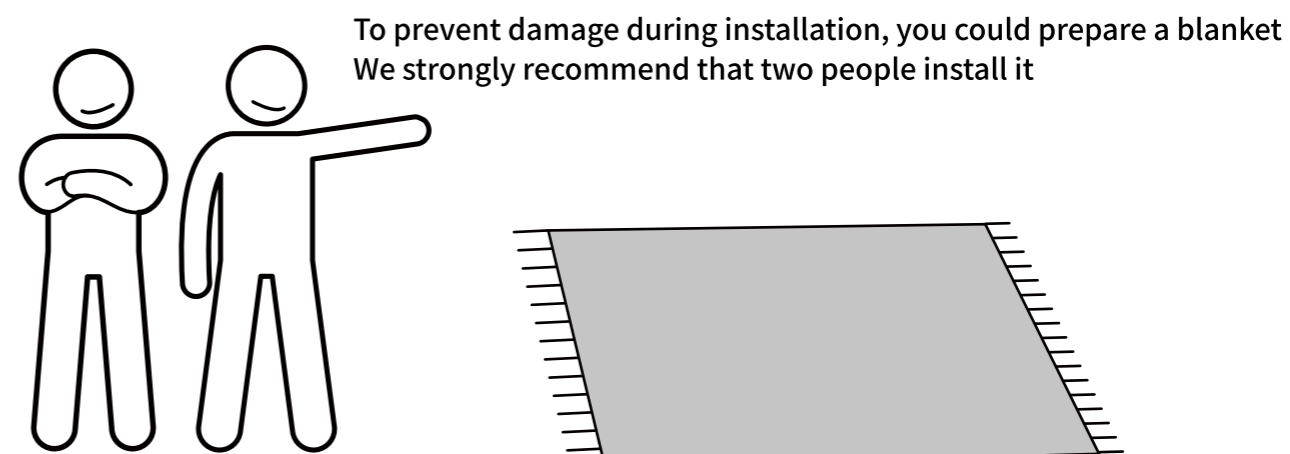
1SET



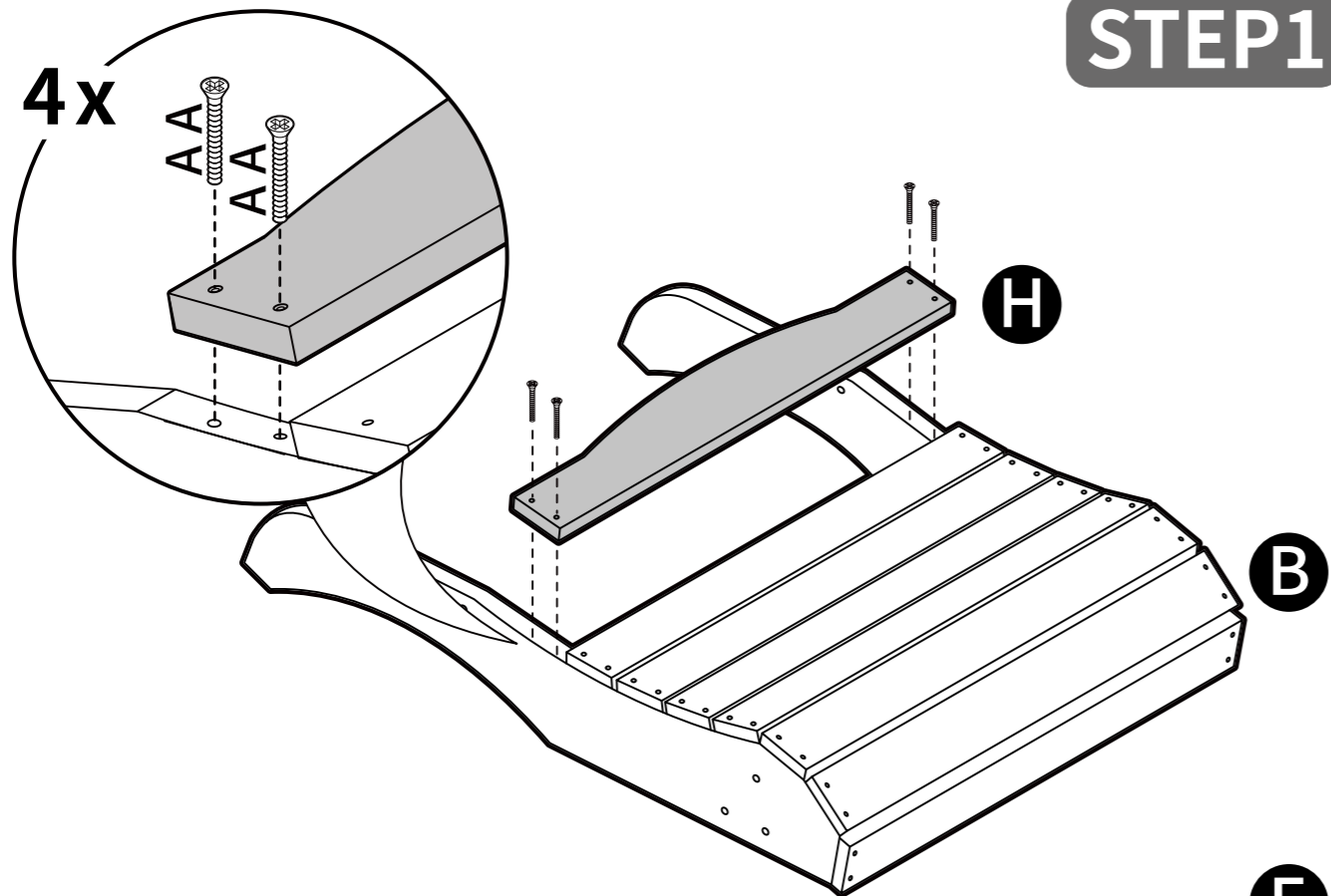


***In order to avoid the chair shaking
make sure that the screws are tightened
fully after every step***

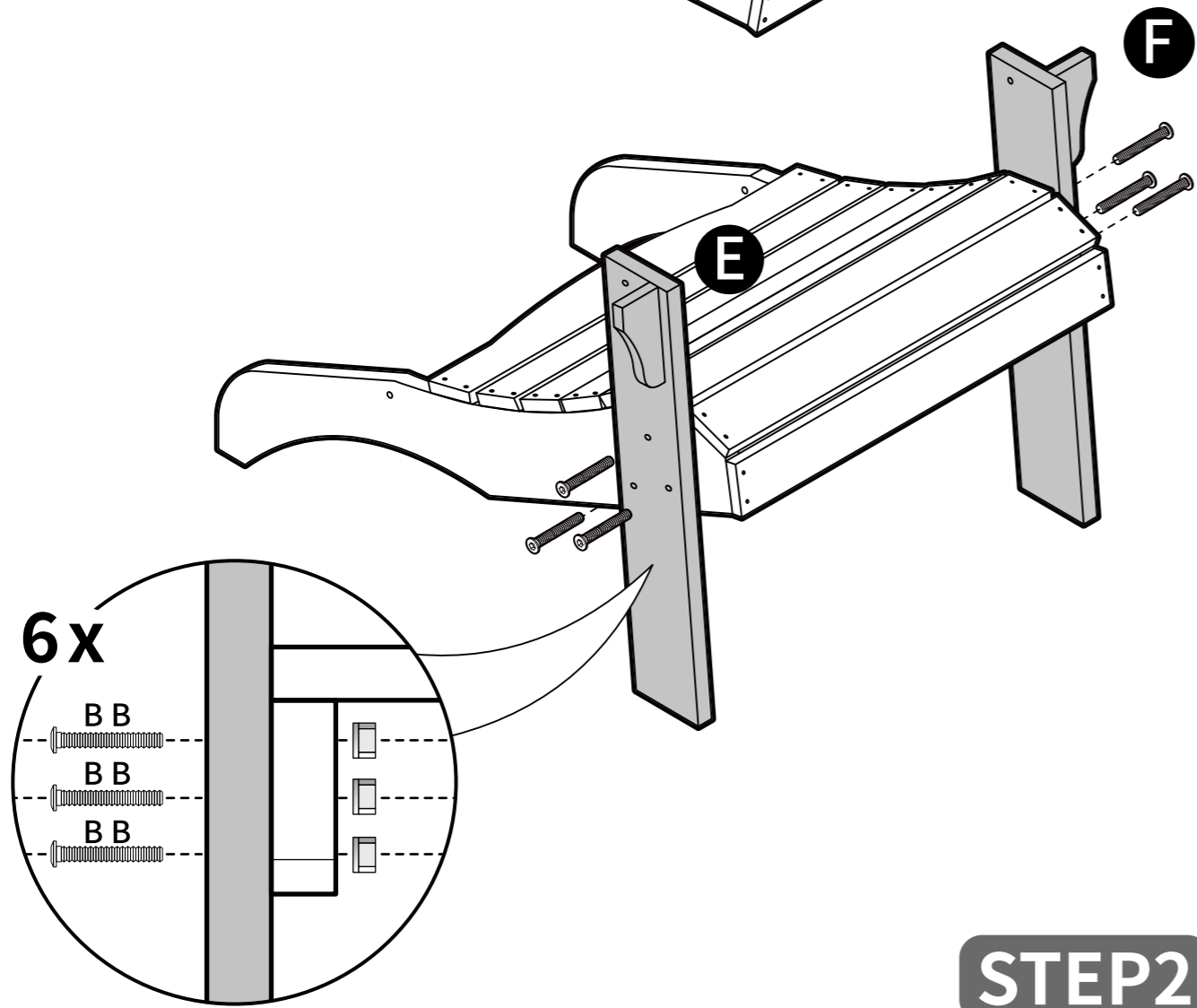
***If you encounter problems with installation,
please contact us***



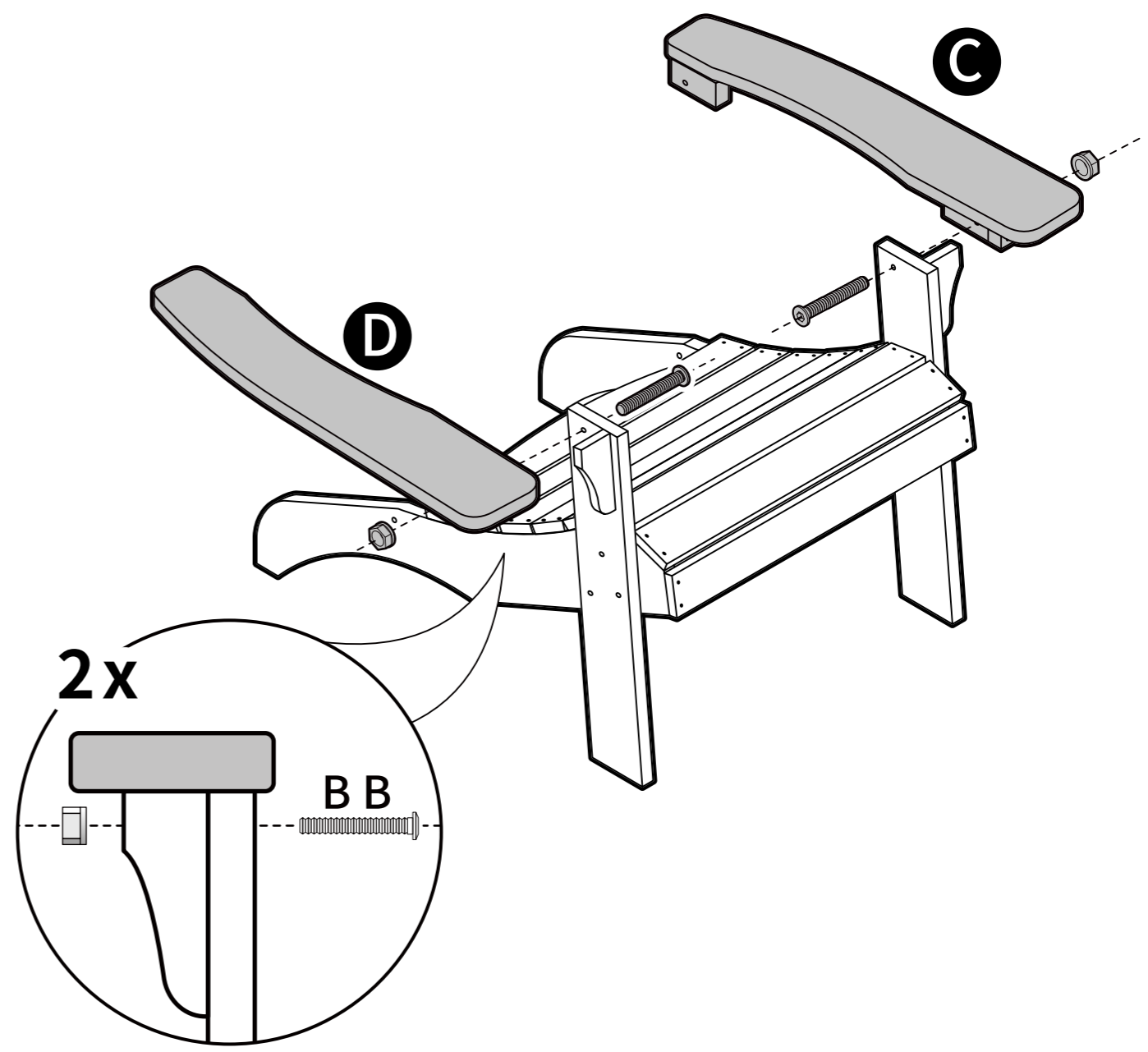
STEP1



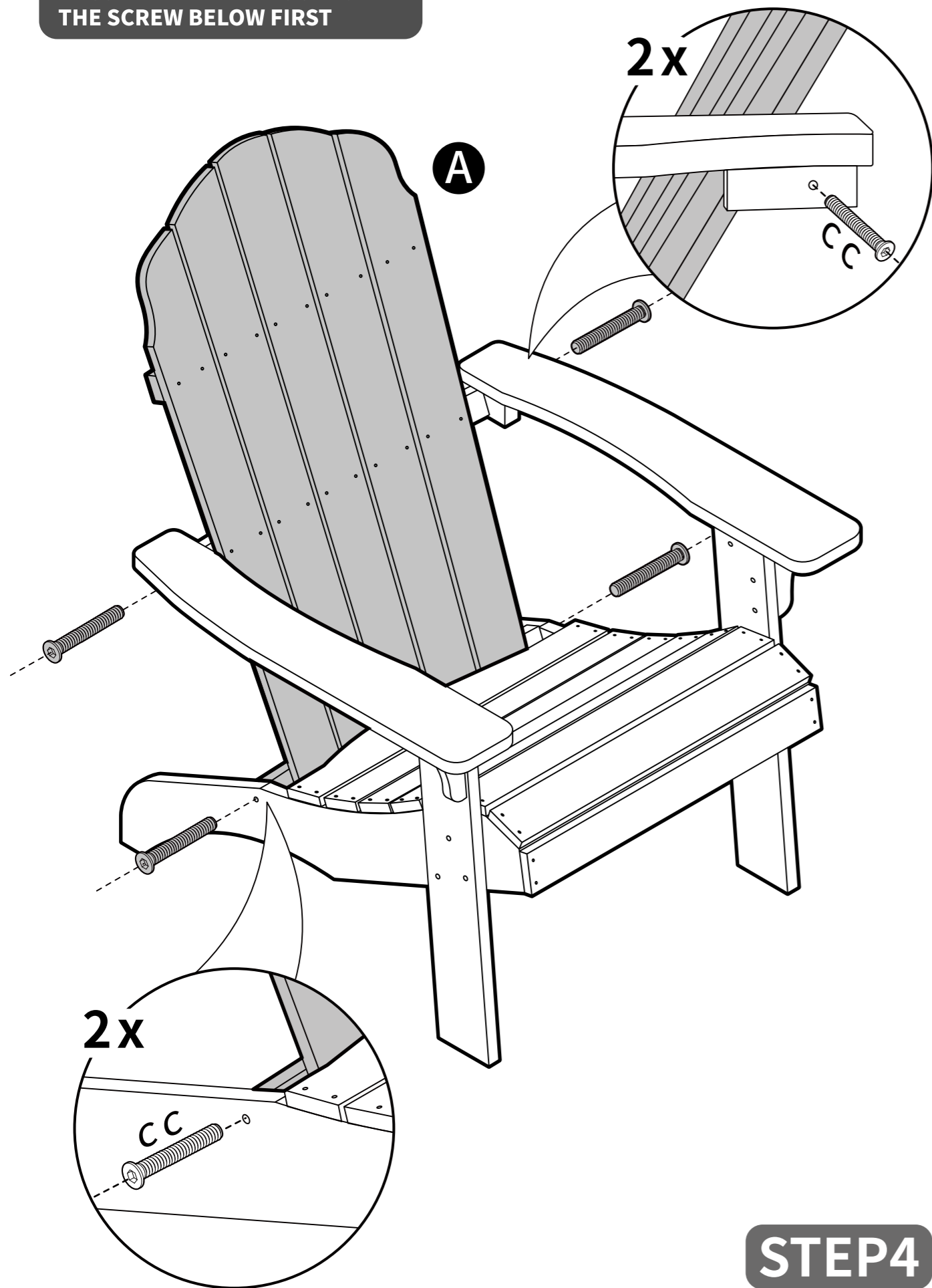
STEP2



STEP3



BASED ON OUR EXPERIENCE, WE RECOMMEND THAT YOU INSTALL THE SCREW BELOW FIRST



STEP4

