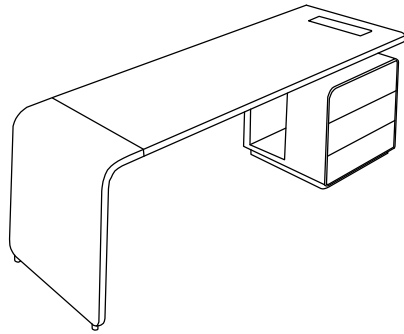
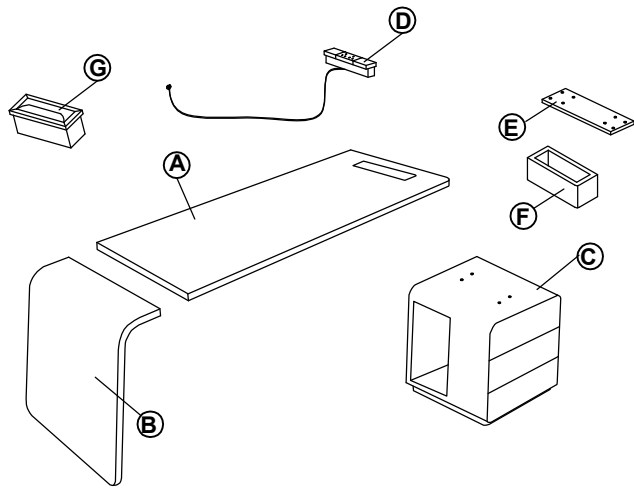


ASSEMBLY INSTRUCTIONS



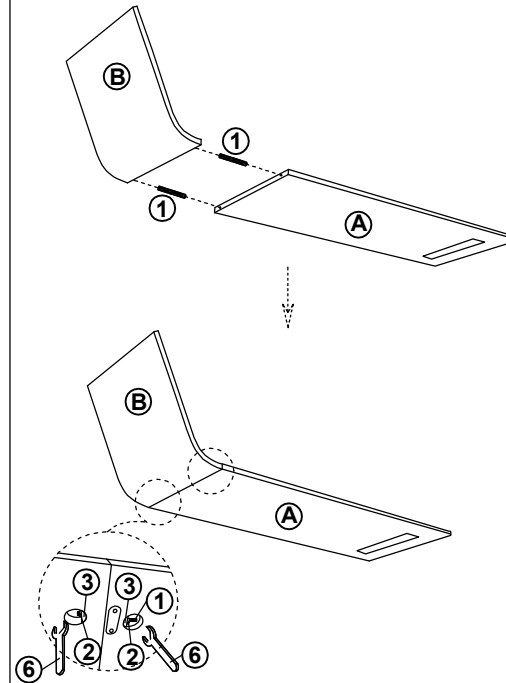
PART LIST



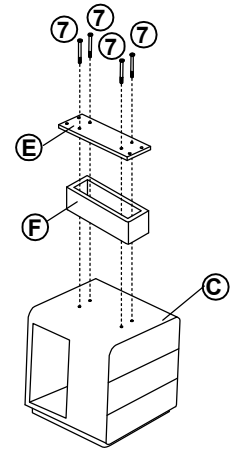
①	X2
②	X4
③	X4
④	X8
⑤	X4
⑥	X2
⑦	X4

1-2

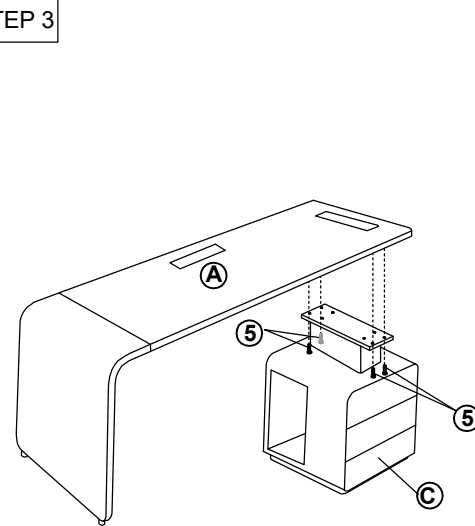
STEP 1



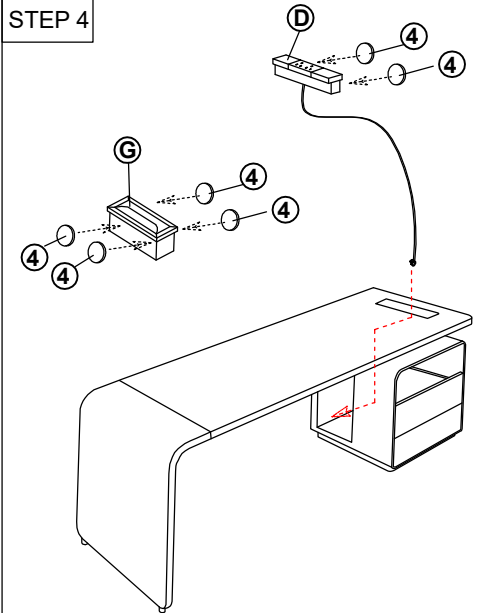
STEP 2



STEP 3



STEP 4



2-2