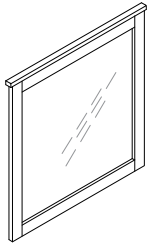
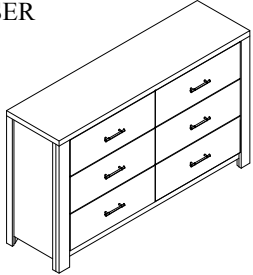
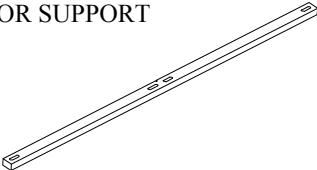
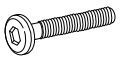



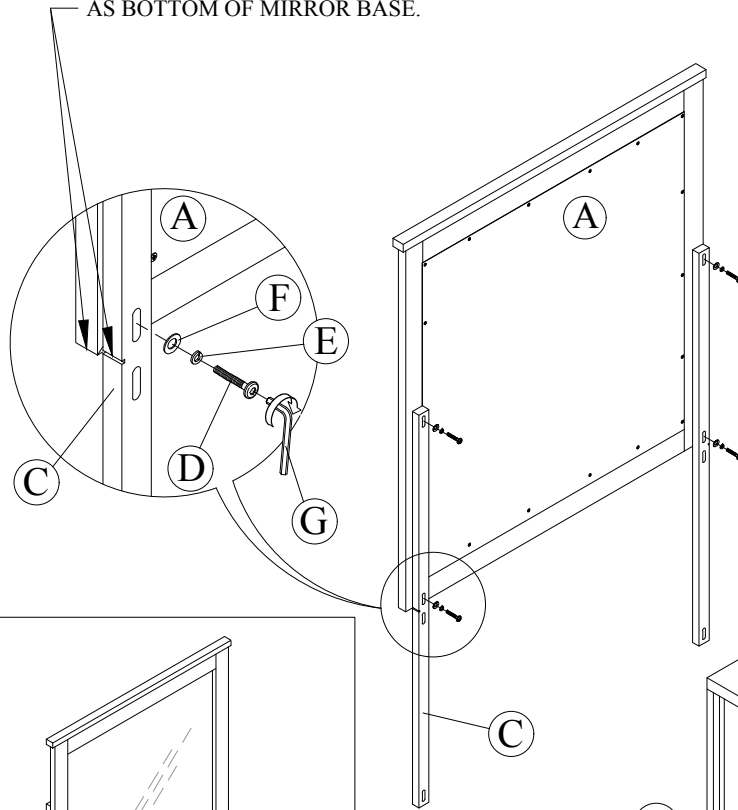


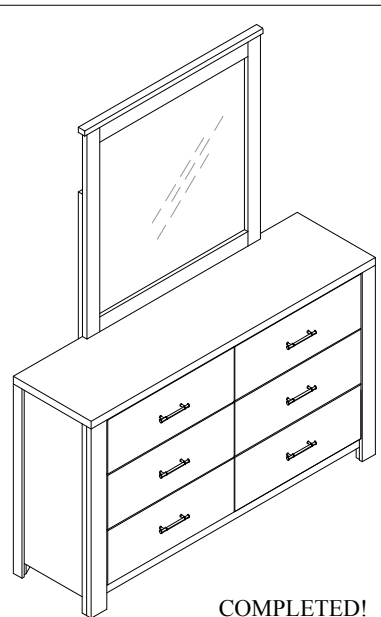
ASSEMBLY INSTRUCTION

NO	PARTS & HARDWARE	QTY.
A	MIRROR 	1 UNIT
B	DRESSER 	1 UNIT
C	MIRROR SUPPORT 	2PCS
D	JCBC M6 x 35mm 	8PCS
E	SPRING WASHER 1/4"mm 	8PCS
F	FLAT WASHER 1/4" x 20mm 	8PCS
G	L KEY M4 	1PC

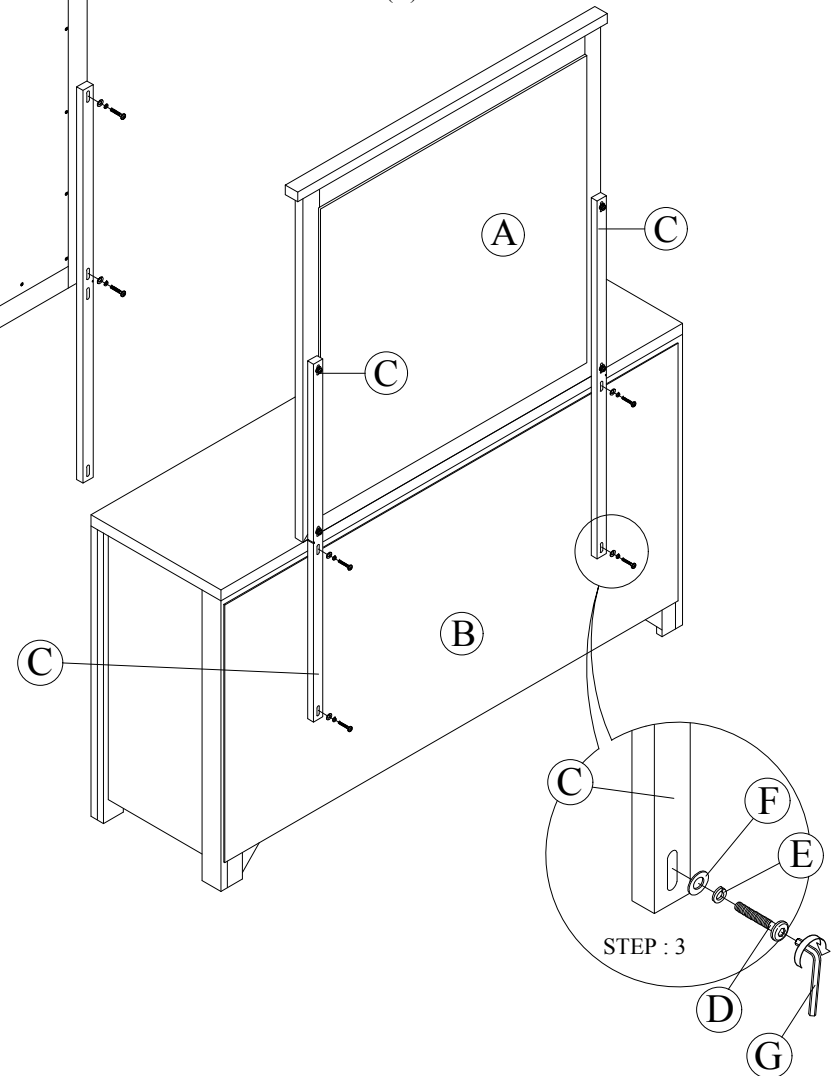
STEP 1 : ATTACH MIRROR SUPPORT (C) TO THE MIRROR BACK (A) AS STEP 1, THEN TIGHTEN WITH JCBC (D), Spring Washer (E) & FLAT WASHER (F) BY USING L KEY (G). MAKE SURE MARKING LINE OF SUPPORT MUST SAME LEVEL AS BOTTOM OF MIRROR BASE.



STEP 2 : PLACE THE MIRROR THAT WITH SUPPORT ON THE TOP OF DRESSER (B). THEN ALIGN CENTER AS SHOWN AND TIGHTEN WITH JCBC (D), SPRING WASHER (E) & FLAT WASHER (F) BY USING L KEY (G).



COMPLETED!



STEP : 3