
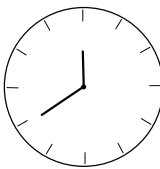
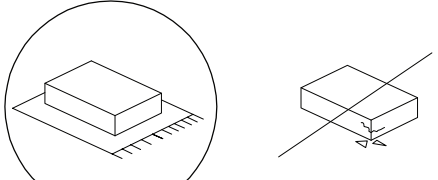

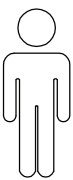
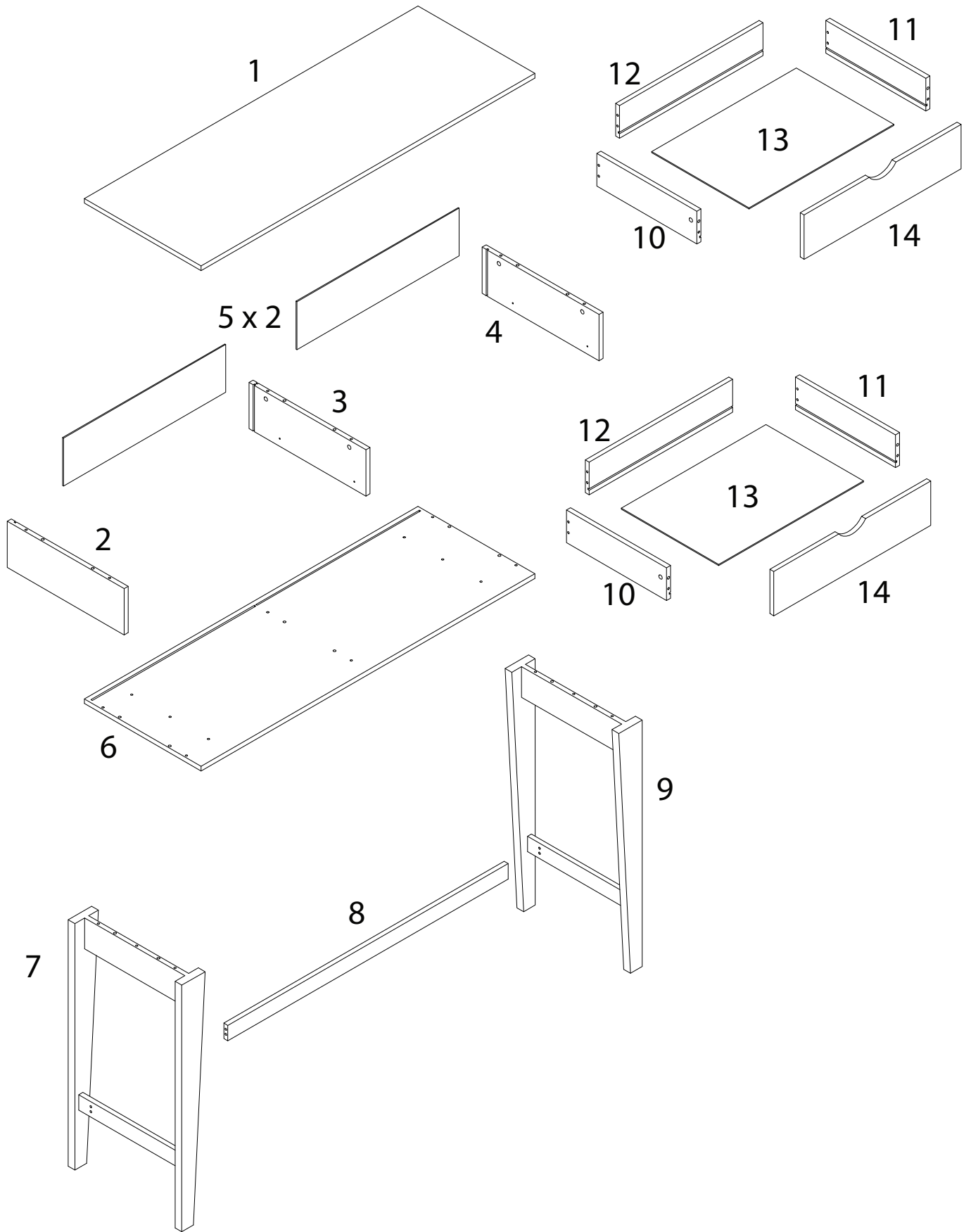
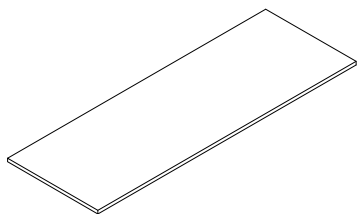
 A circular icon containing a screwdriver. To its right is a power drill with a diagonal line through it, indicating it should not be used.		
 A circular icon containing a screw being inserted into a wood block. To its right is a wood block with a diagonal line through it, indicating it should not be used.		
		40'
		2

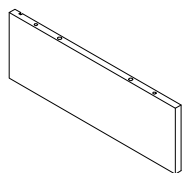


1



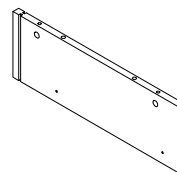
x 1

2



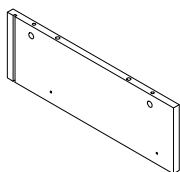
x 1

3



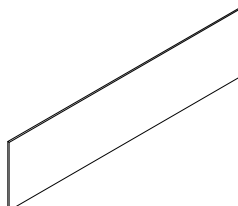
x 1

4



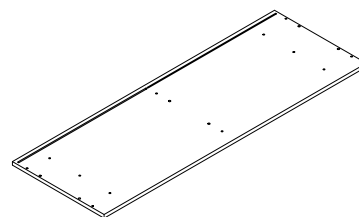
x 1

5



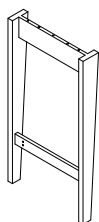
x 2

6



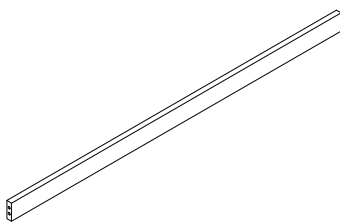
x 1

7



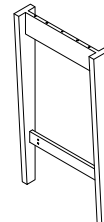
x 1

8



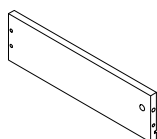
x 1

9



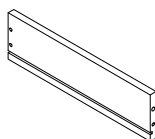
x 1

10



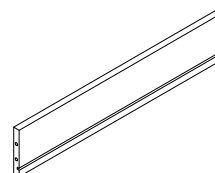
x 2

11



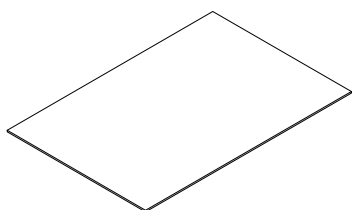
x 2

12



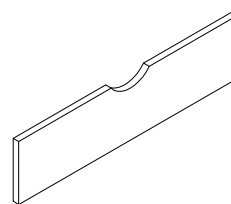
x 2

13



x 2

14



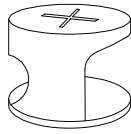
x 2

A



x 10

B



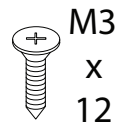
x 10

C



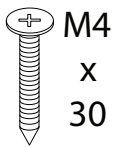
x 20

D



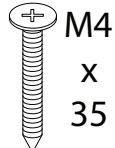
x 16

E



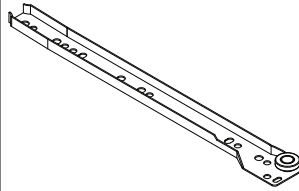
x 8

F



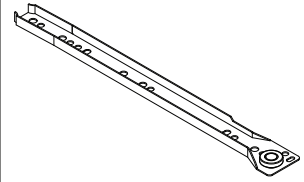
x 16

CL



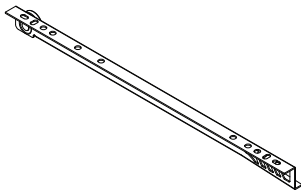
x 2

CR



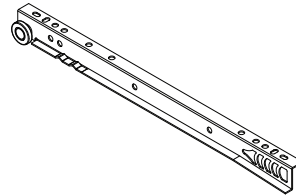
x 2

DR



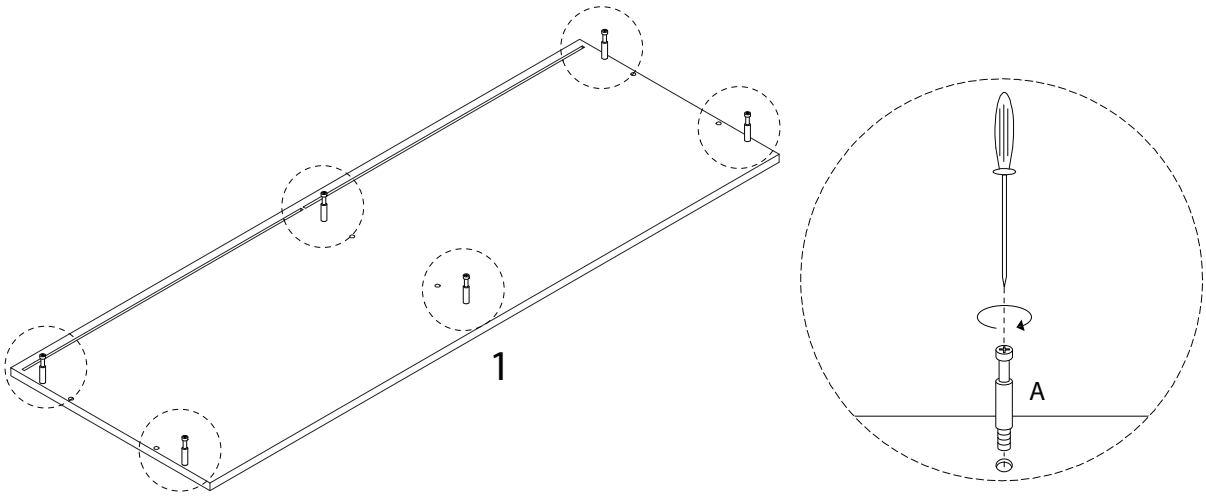
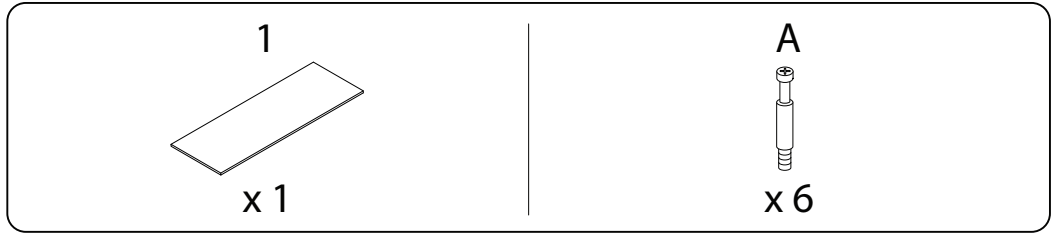
x 2

DL

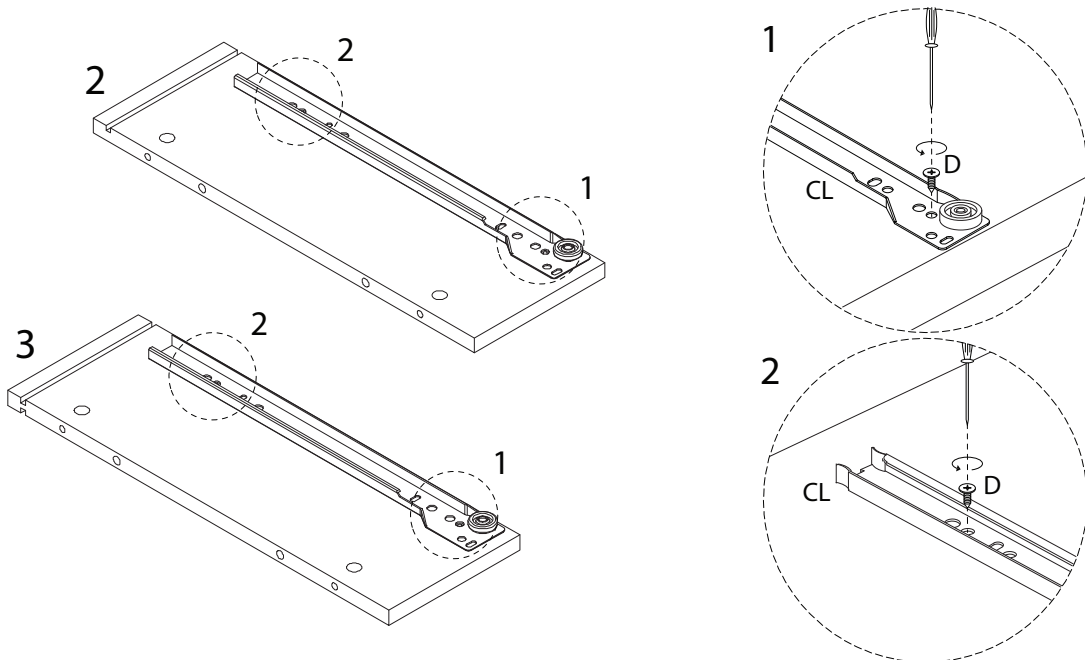
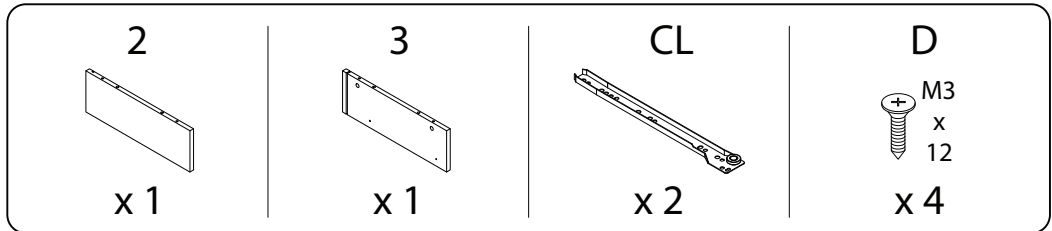


x 2

1

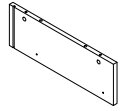


2



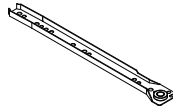
3

4



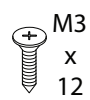
x1

CR

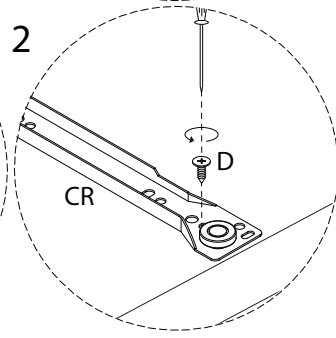
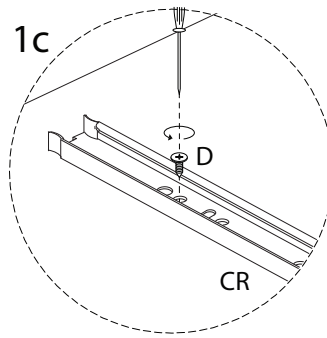
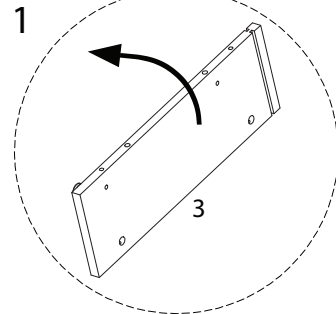
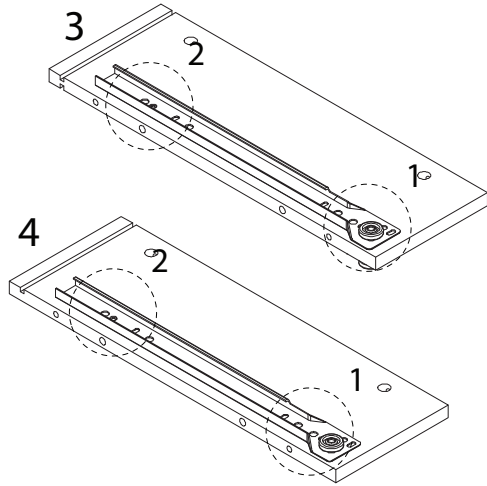


x2

D

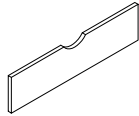


x4



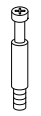
4 x 2

14



x1

A

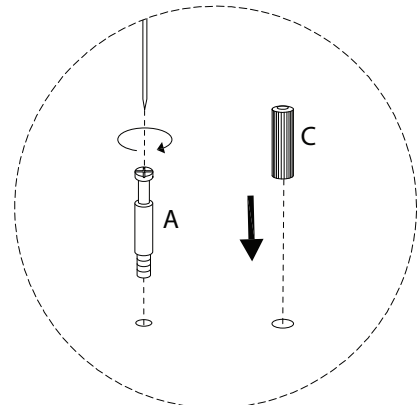
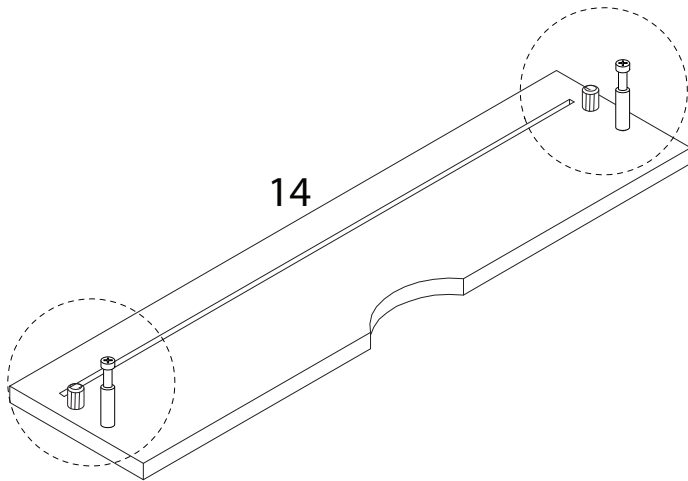


x2

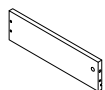
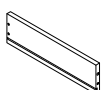

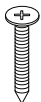
C

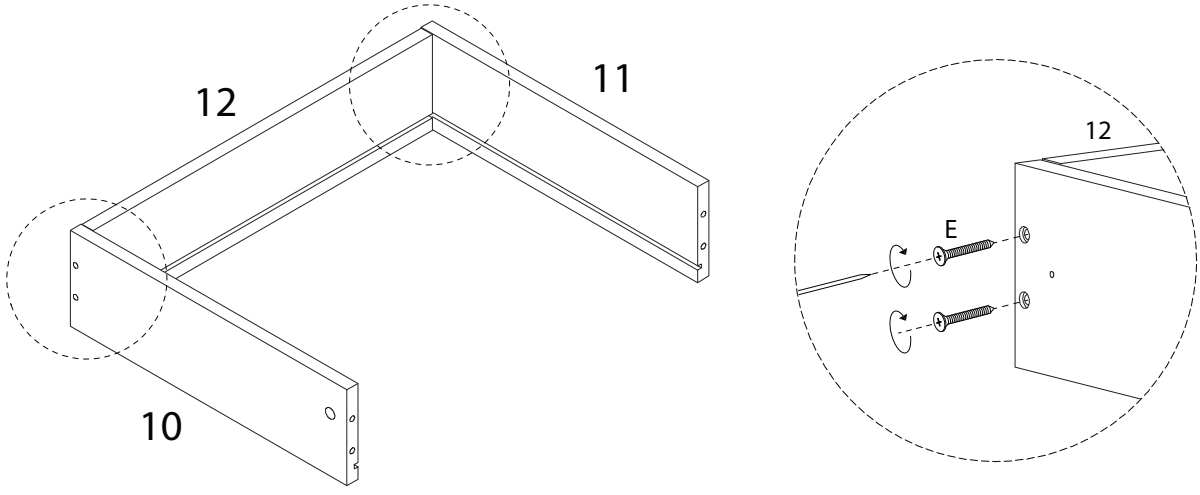


x2

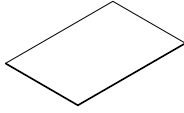


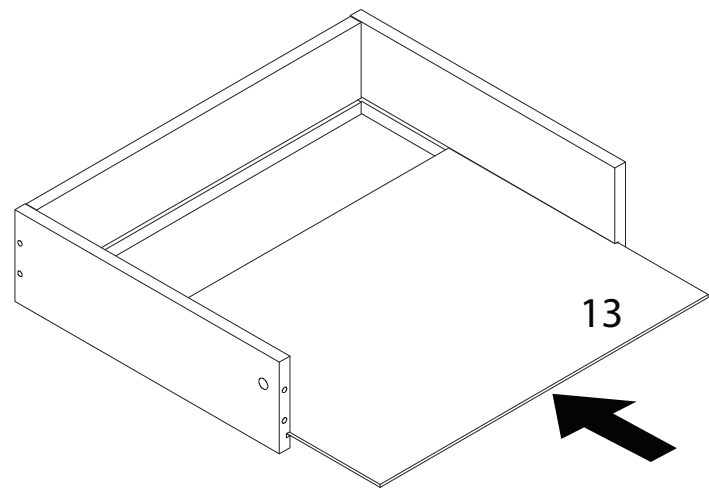
5 x 2

<p>10</p>  <p>x 1</p>	<p>11</p>  <p>x 1</p>	<p>12</p>  <p>x 1</p>	<p>E</p>  <p>M4 x 30</p> <p>x 4</p>
--	--	---	--



6 x 2

<p>13</p>  <p>x 1</p>
--

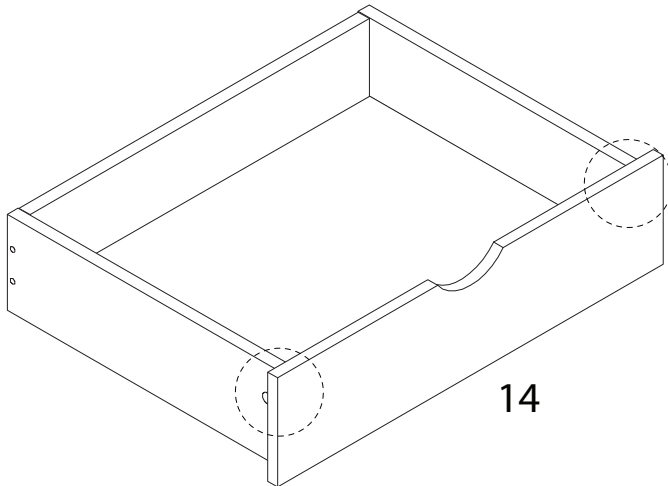


7 x 2

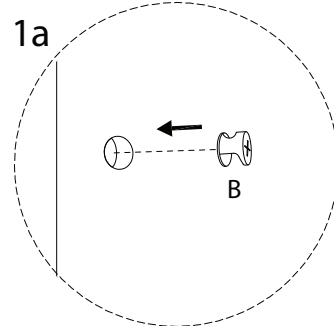
B



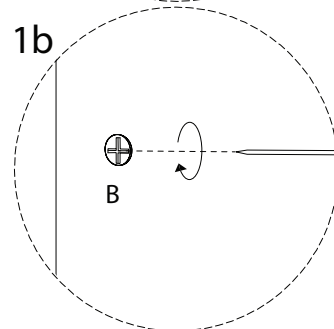
x 2



1a



1b



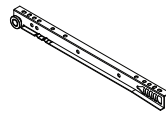
8 x 2

D



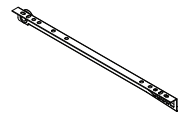
x 4

DL

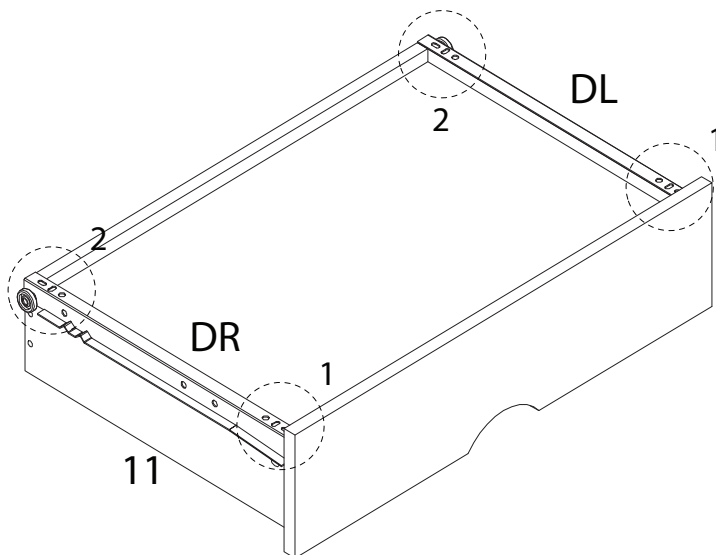


x 1

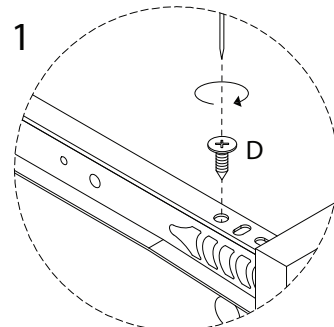
DR



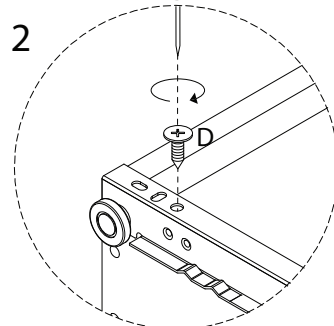
x 1



1

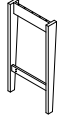


2



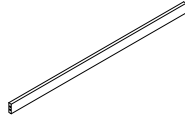
9

7



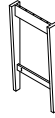
x 1

8



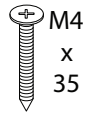
x 1

9



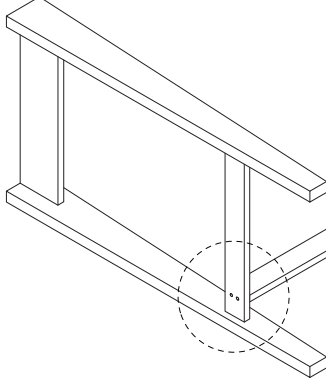
x 1

F

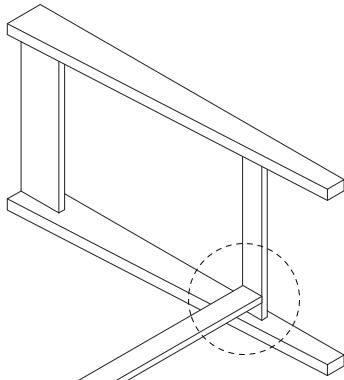


x 4

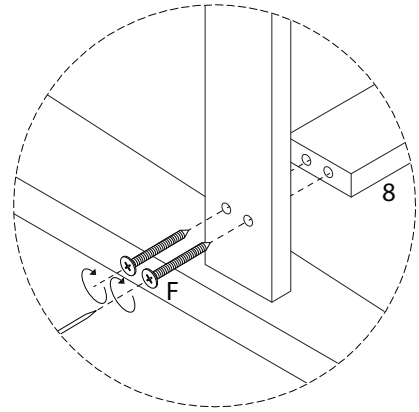
7



9



8



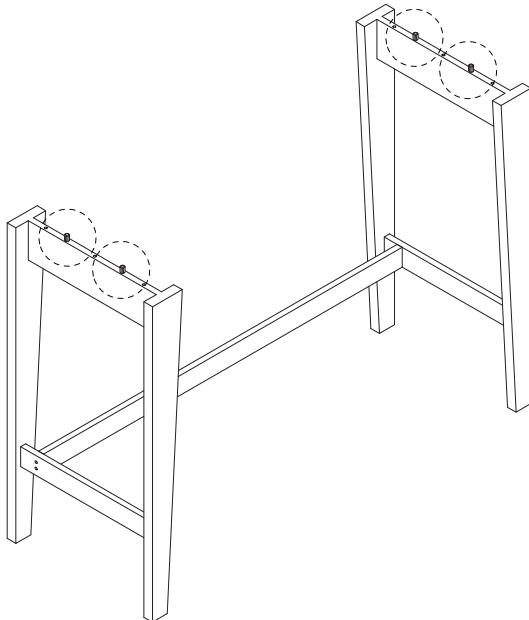
10

C

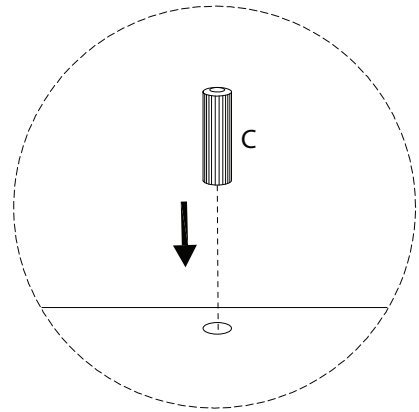


x 4

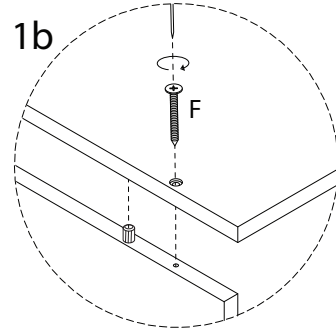
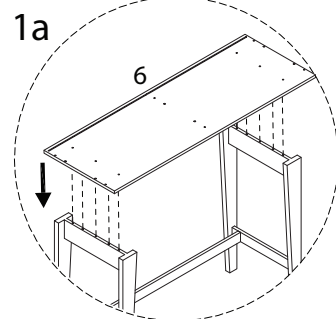
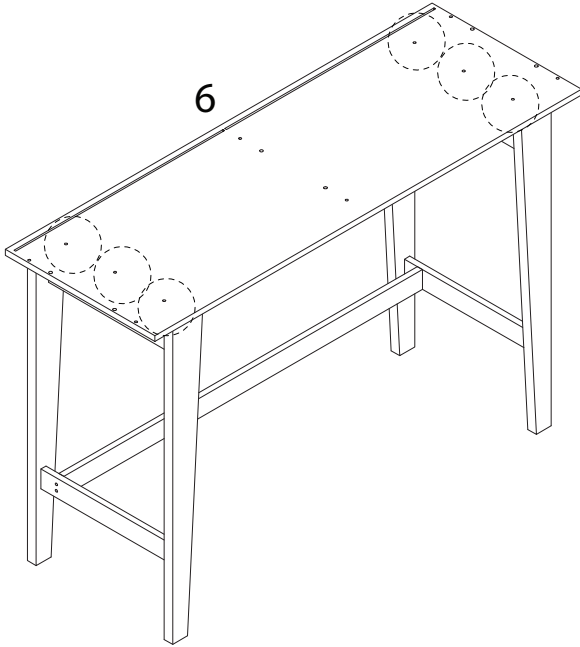
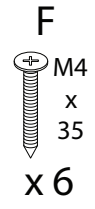
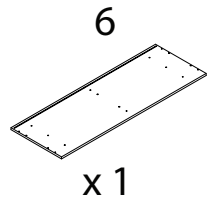
7



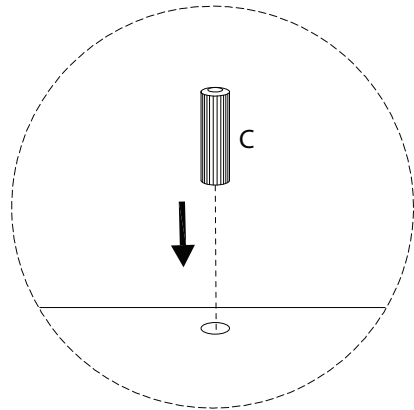
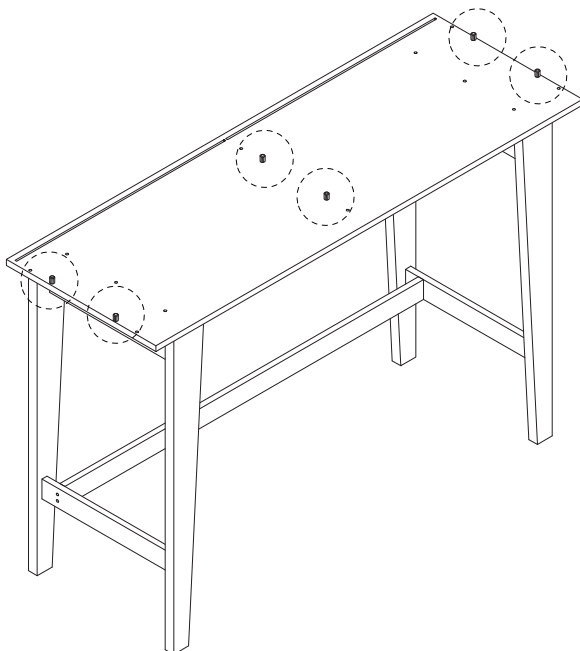
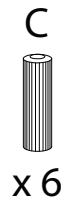
9



11

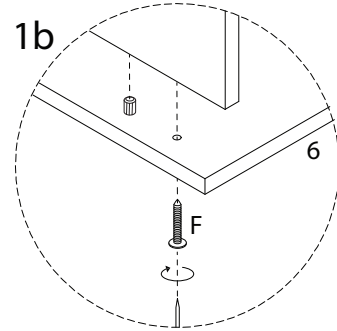
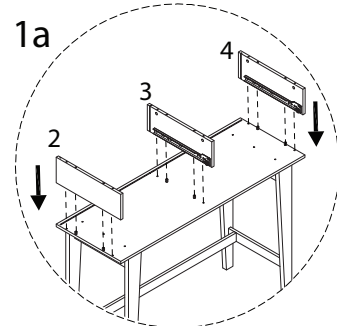
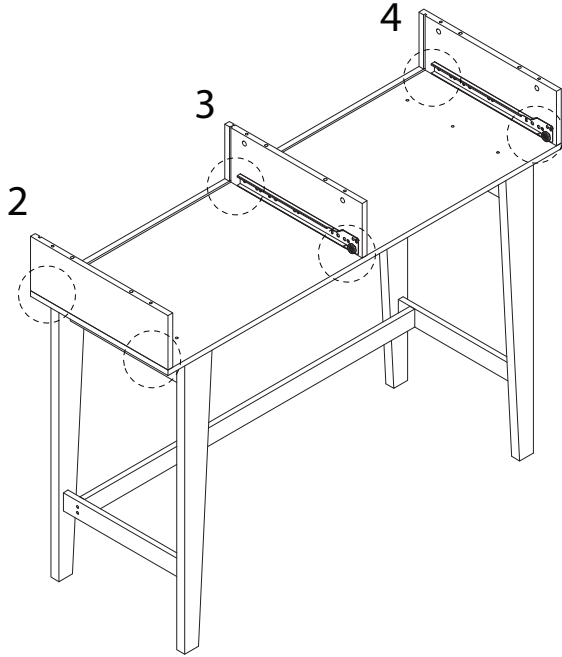


12



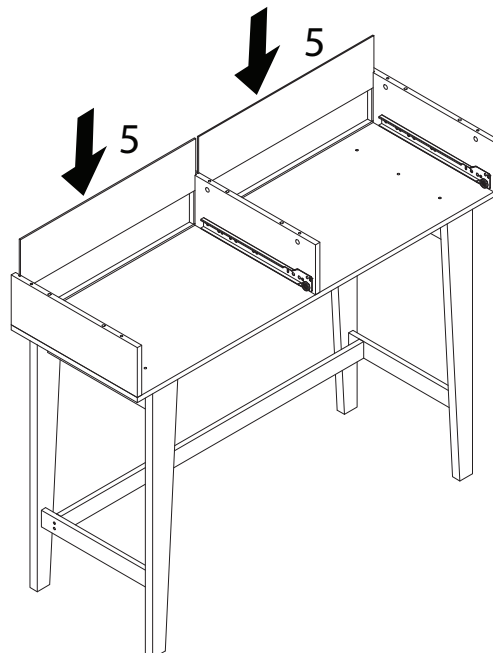
13

F
M4
x
35
x 6



14

5
x 2

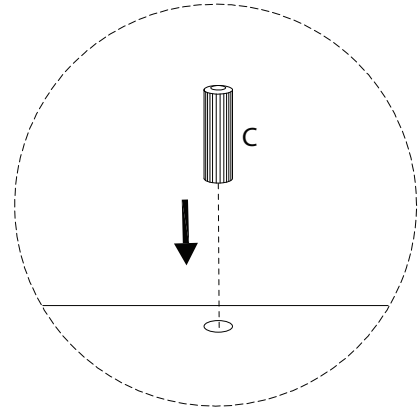
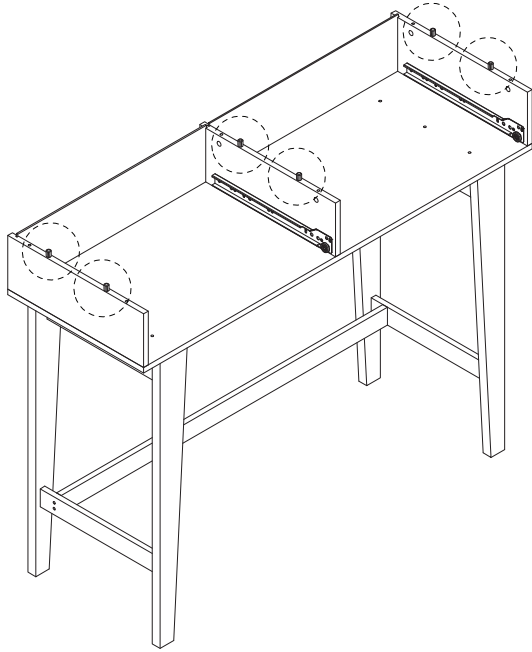


15

C



x 6

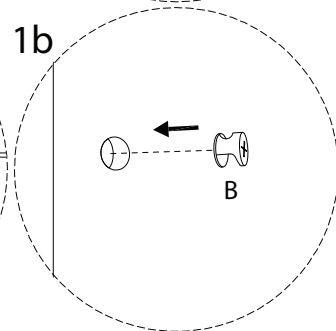
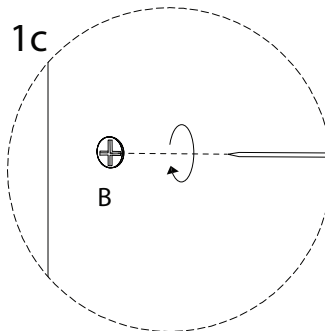
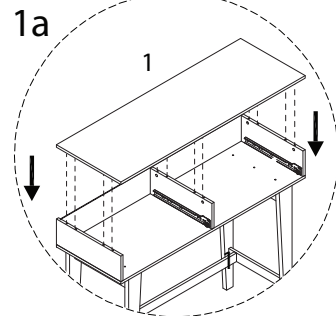
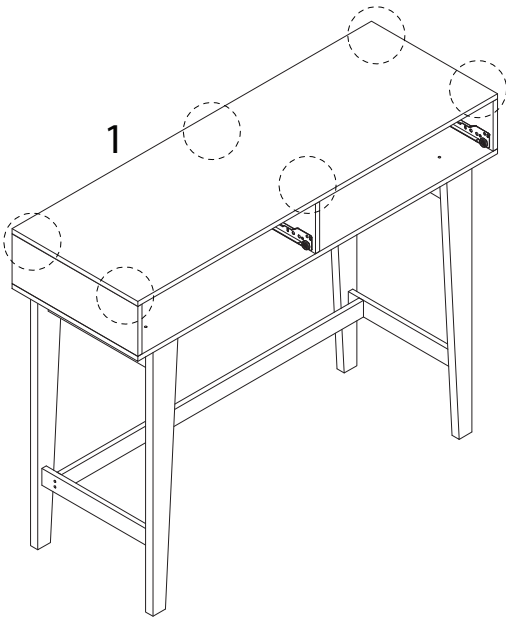


16

B



x 6



17

