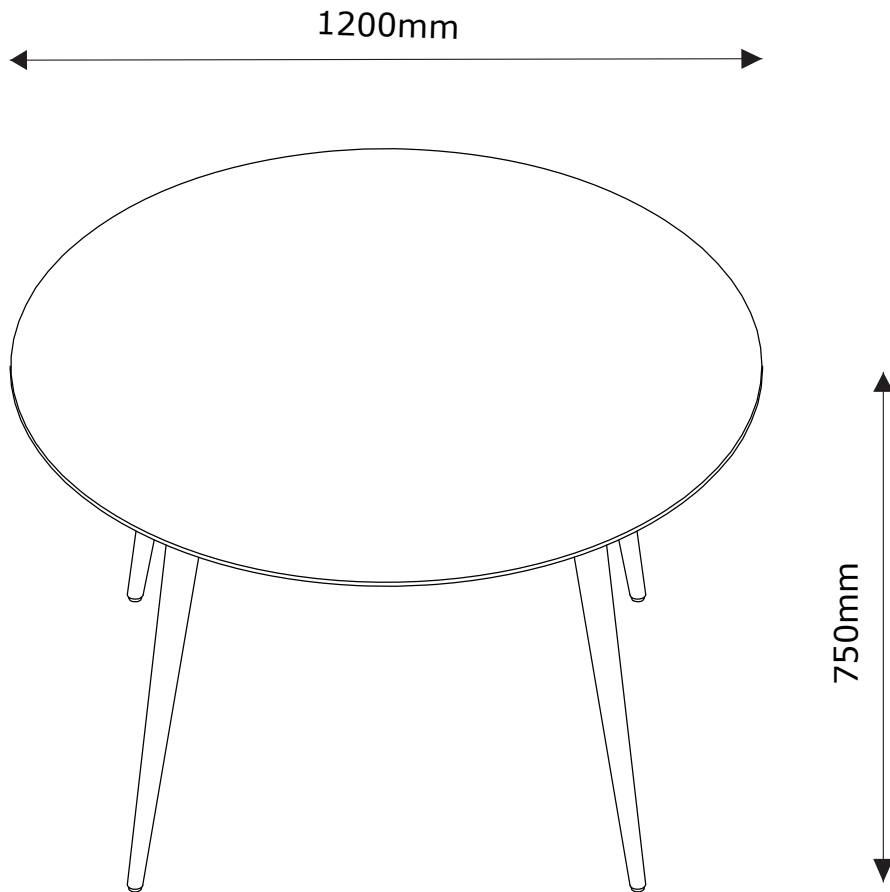


# Assembly Instructions



## **Keep these instructions for future reference**

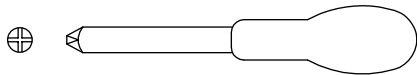
Assemble the furniture on a soft level surface to avoid damaging the furniture or your floor.

We recommend furniture be assembled near where they will be placed, to avoid moving the product unnecessarily once assembled.

If there is a need to move the furniture, please remove all loose items and have extra hands to help lift the furniture to the desired location. Dragging the furniture will damage both the furniture and the floor.

Regularly check and re-tighten (if necessary) all bolts on furniture that you have assembled yourself.

### **Tools Required**



## **Care and Maintenance of your Furniture**

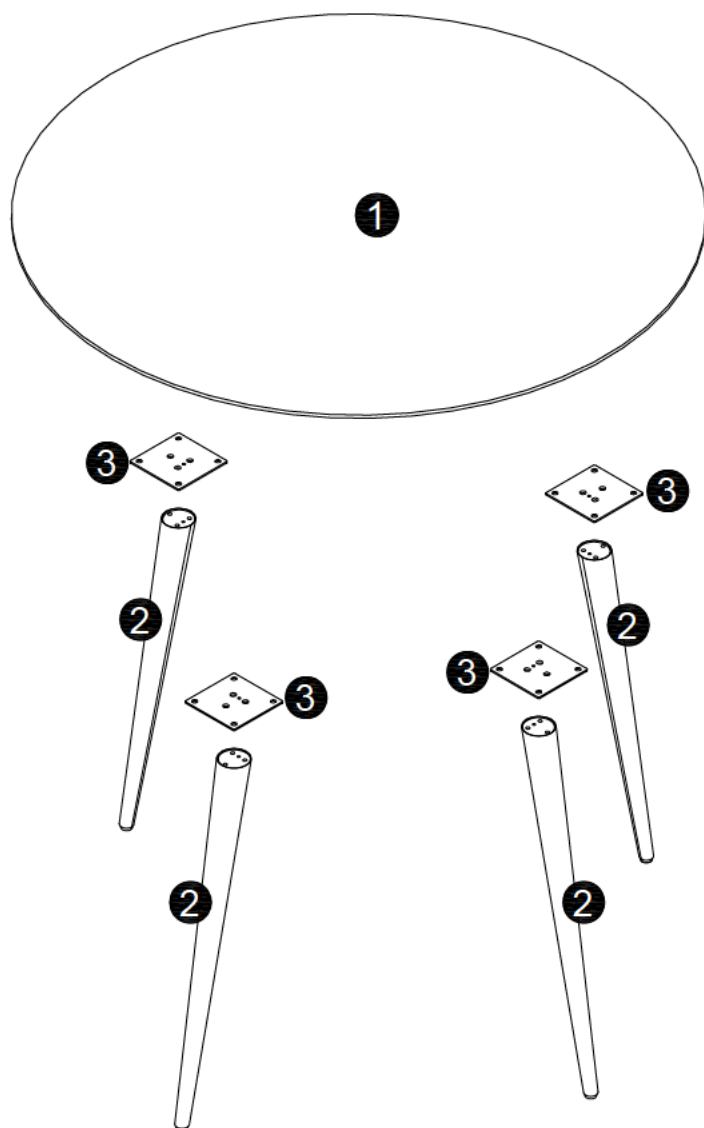
THIS TOP IS FINISHED WITH A CLEAR PU LACQUER.

Avoid placing hot items directly onto the surface unless using a thick insulation material such as placemats or coasters. Heat may lead to discolouration or other damage to the surface of the product.

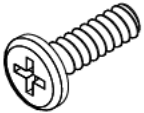

Use a soft cloth that has been dampened in water to clean the surface of this product. Do not use abrasive cleaners, furniture wax or polish on the surface of this product, as it may damage the surface.

**CAUTION: FREQUENT EXPOSURE TO DIRECT SUNLIGHT OR SIMILAR SOURCES MAY CAUSE THE SURFACE TO DISCOLOUR OR FADE.**

# PARTS LIST



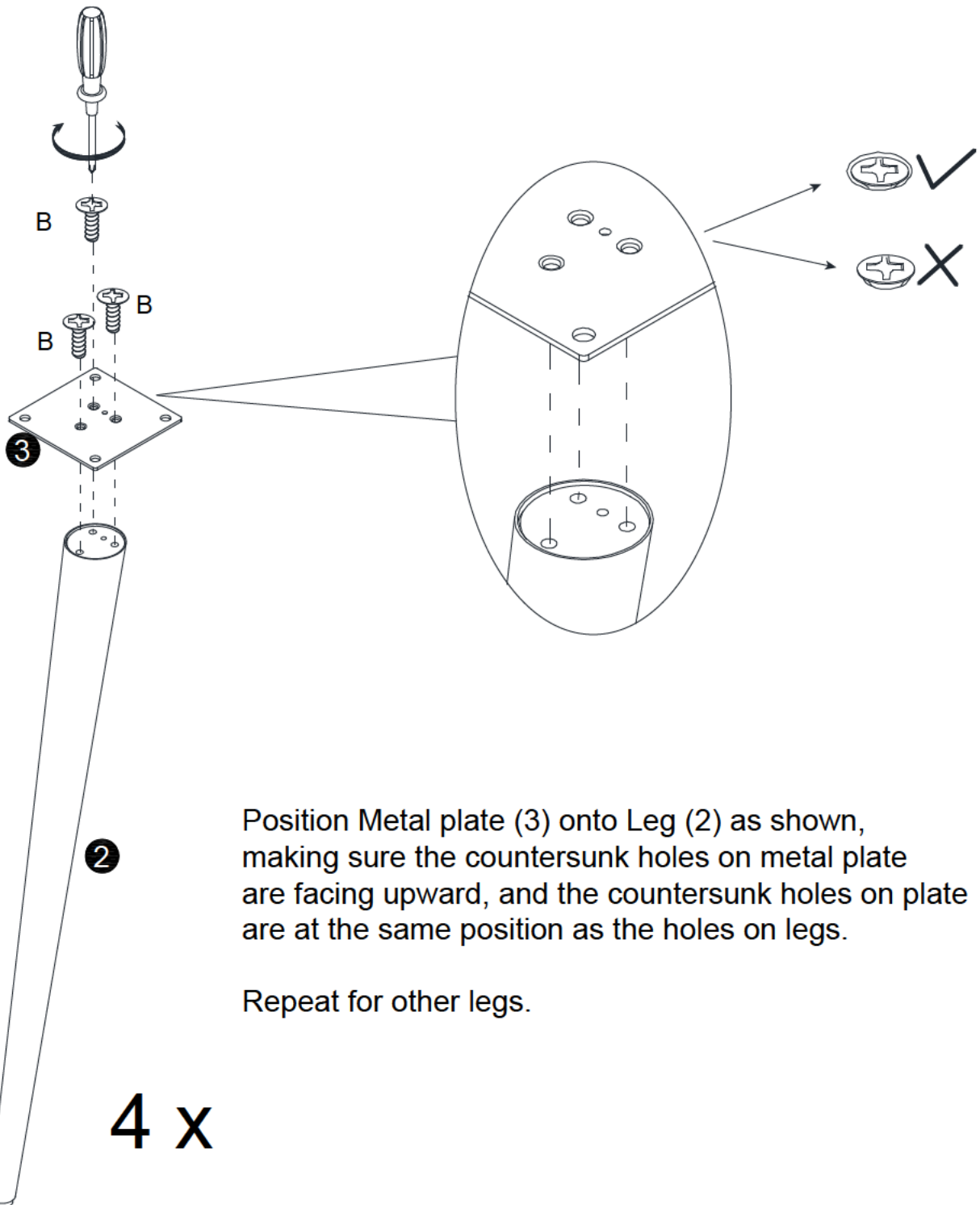
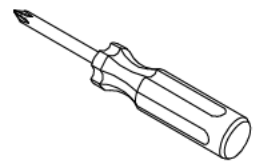
## HARDWARE LIST

A x 16  M8 x 15 mm	B x 12  M6 x 12 mm		
---	---	--	--

# 1



B x 12  
M6 x 12mm



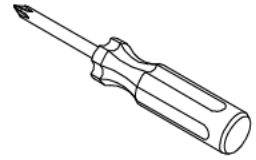
Position Metal plate (3) onto Leg (2) as shown, making sure the countersunk holes on metal plate are facing upward, and the countersunk holes on plate are at the same position as the holes on legs.

Repeat for other legs.

# 2



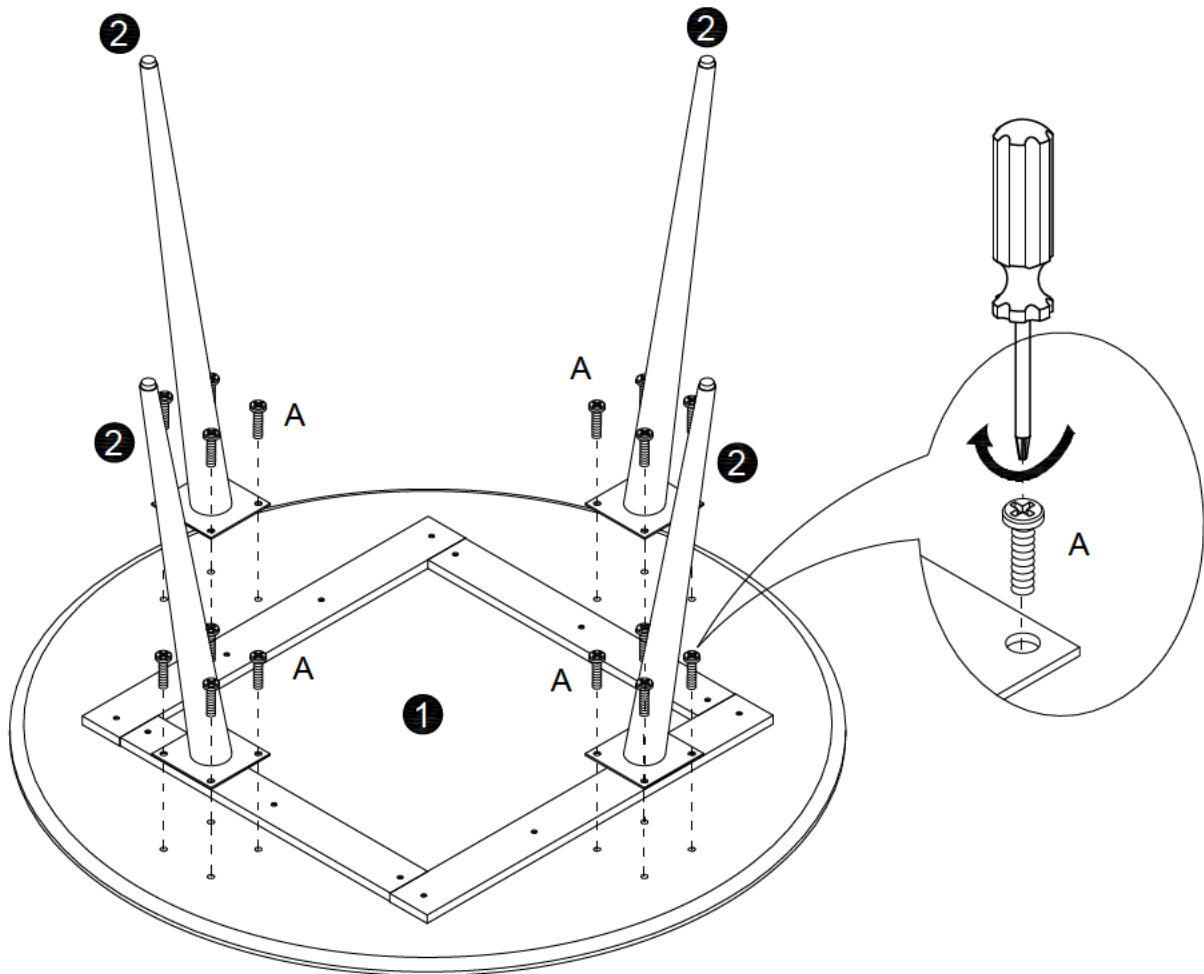
A x 16  
M8 x 15mm



TWO PEOPLE



REQUIRED

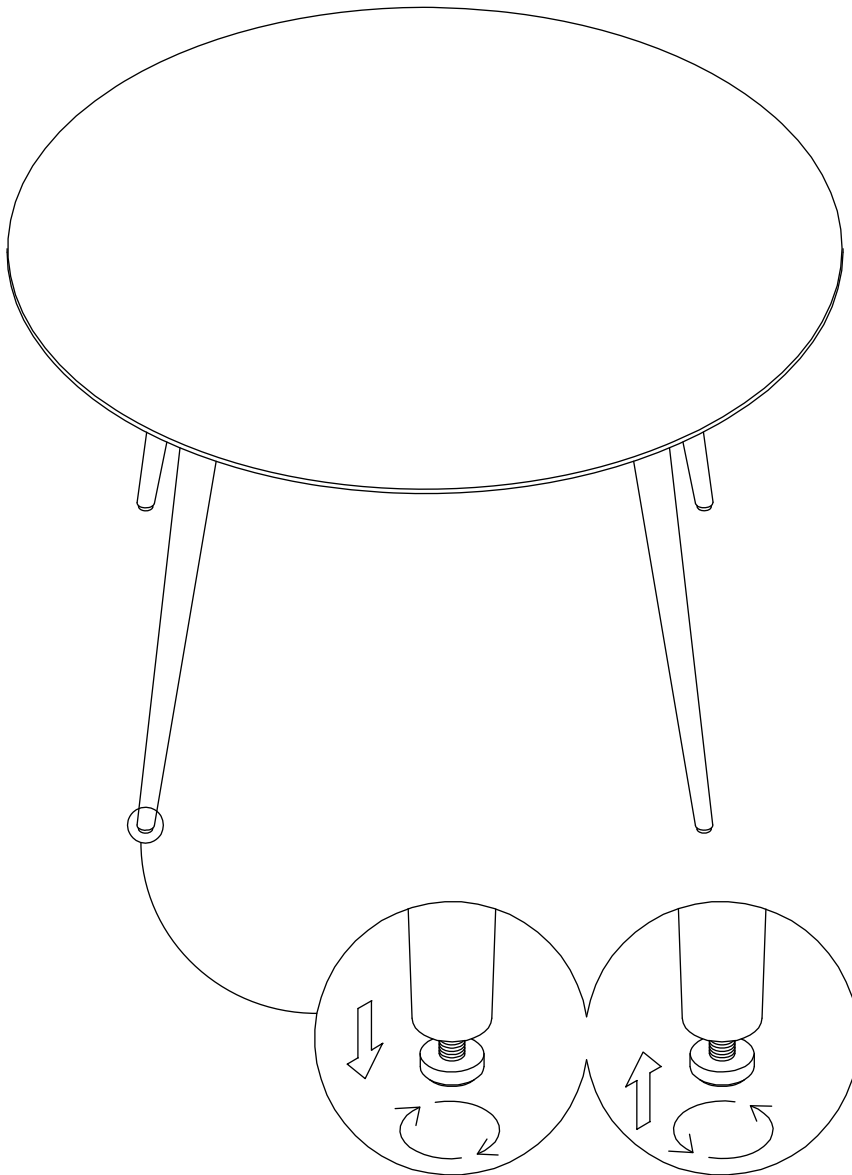
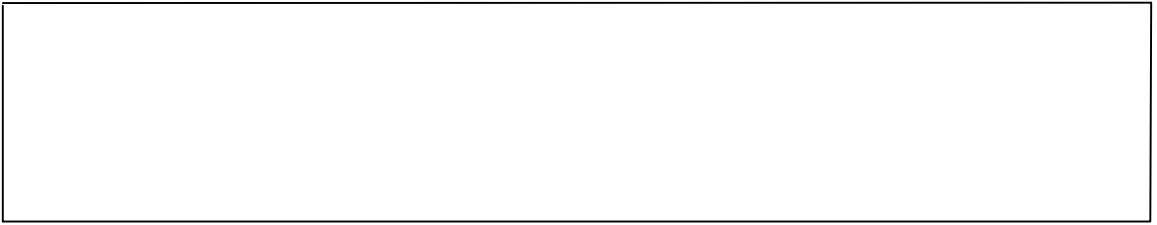


**You may keep the table top (1) in the carton box, or with the help of another person, place the table top (1) on a covered surface.**

Position Leg (2) onto the underside of the Table Top (1) as shown, making sure the leg is pointing away from the center of the Table Top (1). Fasten leg (2) to Table Top (1) with Bolts A using Philips head screwdriver.

Repeat with the remaining legs.

# 3



**Carefully turn the table over with help.**

If necessary, you can level the table top by adjusting the feet on the legs.