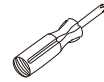


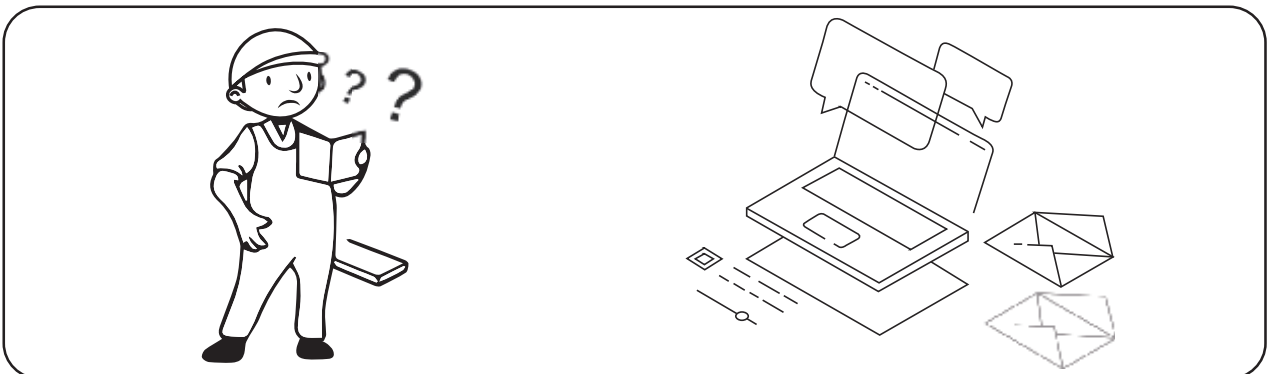
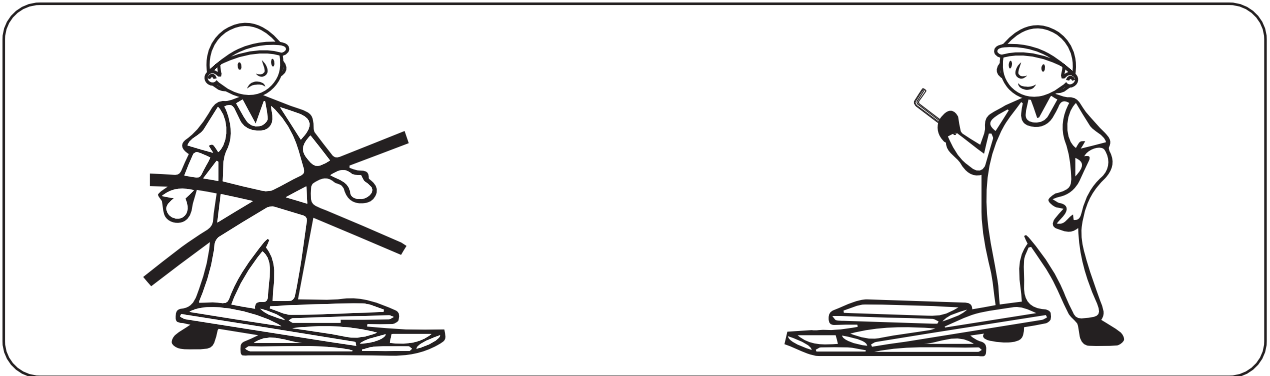
INSTALLATION MANUAL



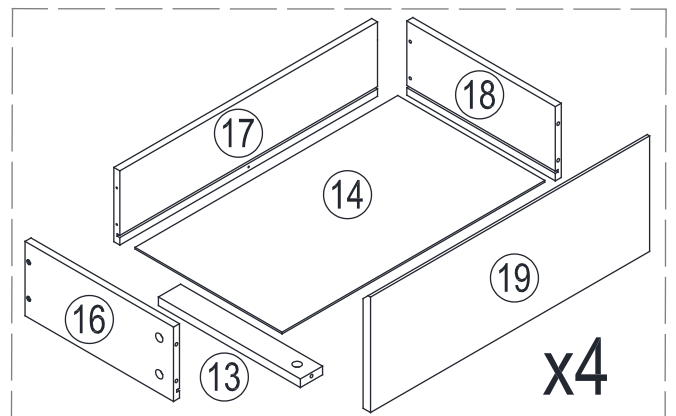
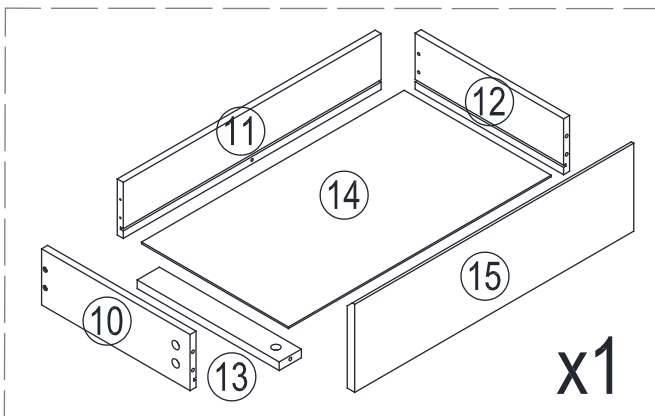
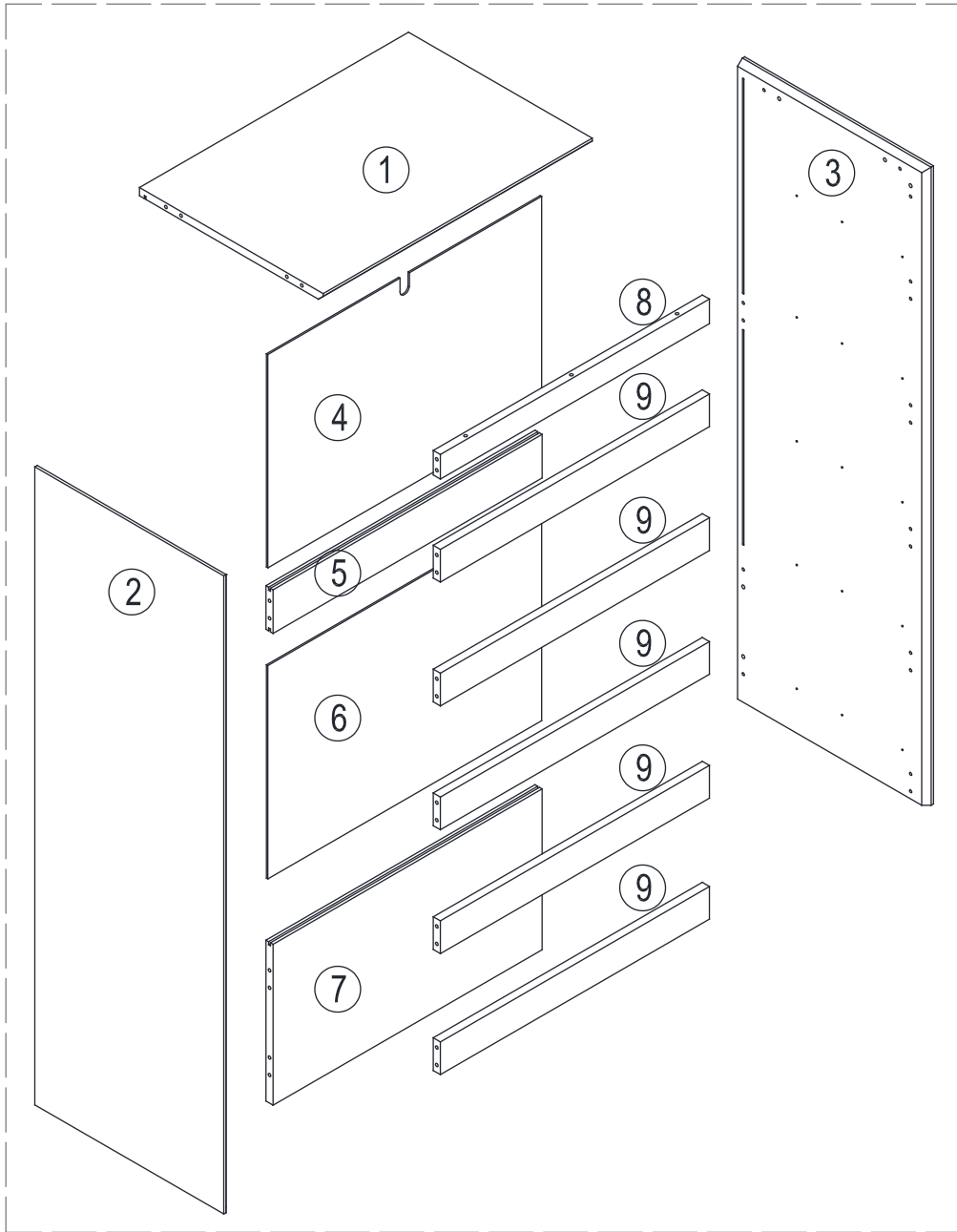
* Guests need to prepare their own :

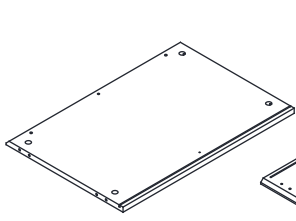


Phillips screwdriver

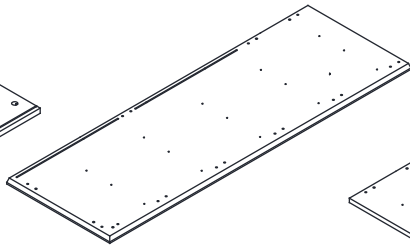


PARTS

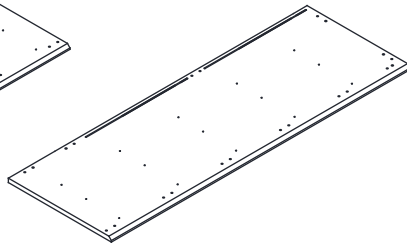




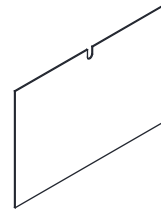
① x 1PCS



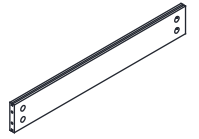
② x 1PCS



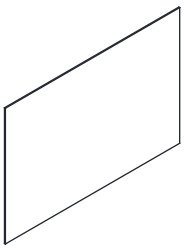
③ x 1PCS



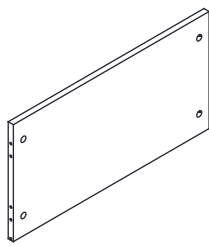
④ x 1PCS



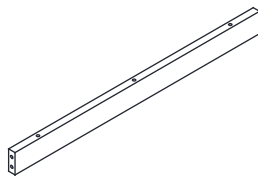
⑤ x 1PCS



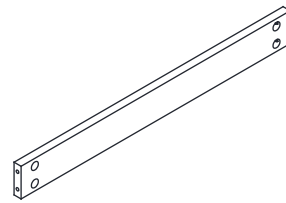
⑥ x 1PCS



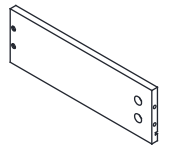
⑦ x 1PCS



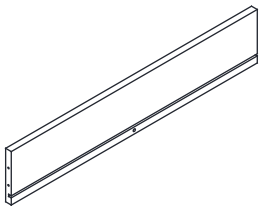
⑧ x 1PCS



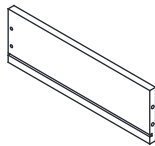
⑨ x 5PCS



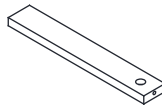
⑩ x 1PCS



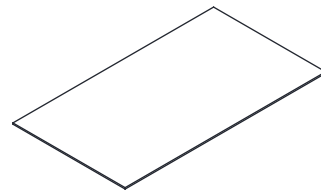
⑪ x 1PCS



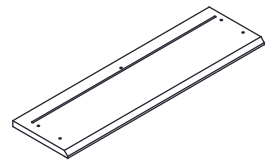
⑫ x 1PCS



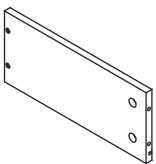
⑬ x 5PCS



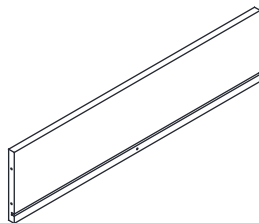
⑭ x 5PCS



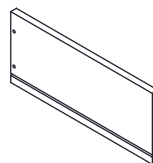
⑮ x 1PCS



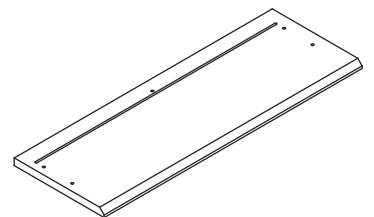
⑯ x 4PCS



⑰ x 4PCS



⑱ x 4PCS



⑲ x 4PCS



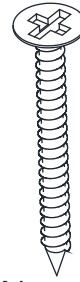
M6 x 35

A x 60 (+5)



Ø6 x 30

B x 12 (+2)



M4 x 35

C x 26 (+3)



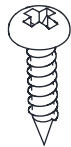
M3.5 x 12

D x 60 (+6)



M3 x 14

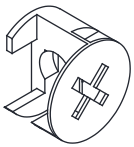
E x 8 (+1)



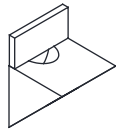
M4 x 12

F x 1 (+1)

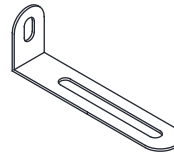
Scale 1 : 1



G x 60 (+5)



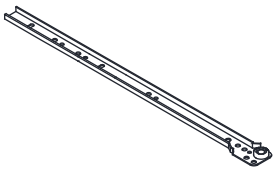
H x 8 (+1)



I x 1

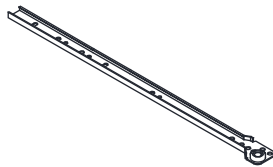


J x 1



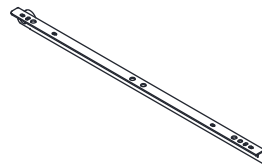
L = 300mm

CL x 5



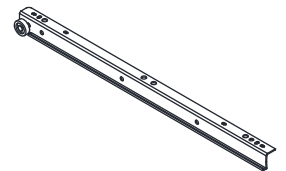
L = 300mm

CR x 5



L = 300mm




DL x 5



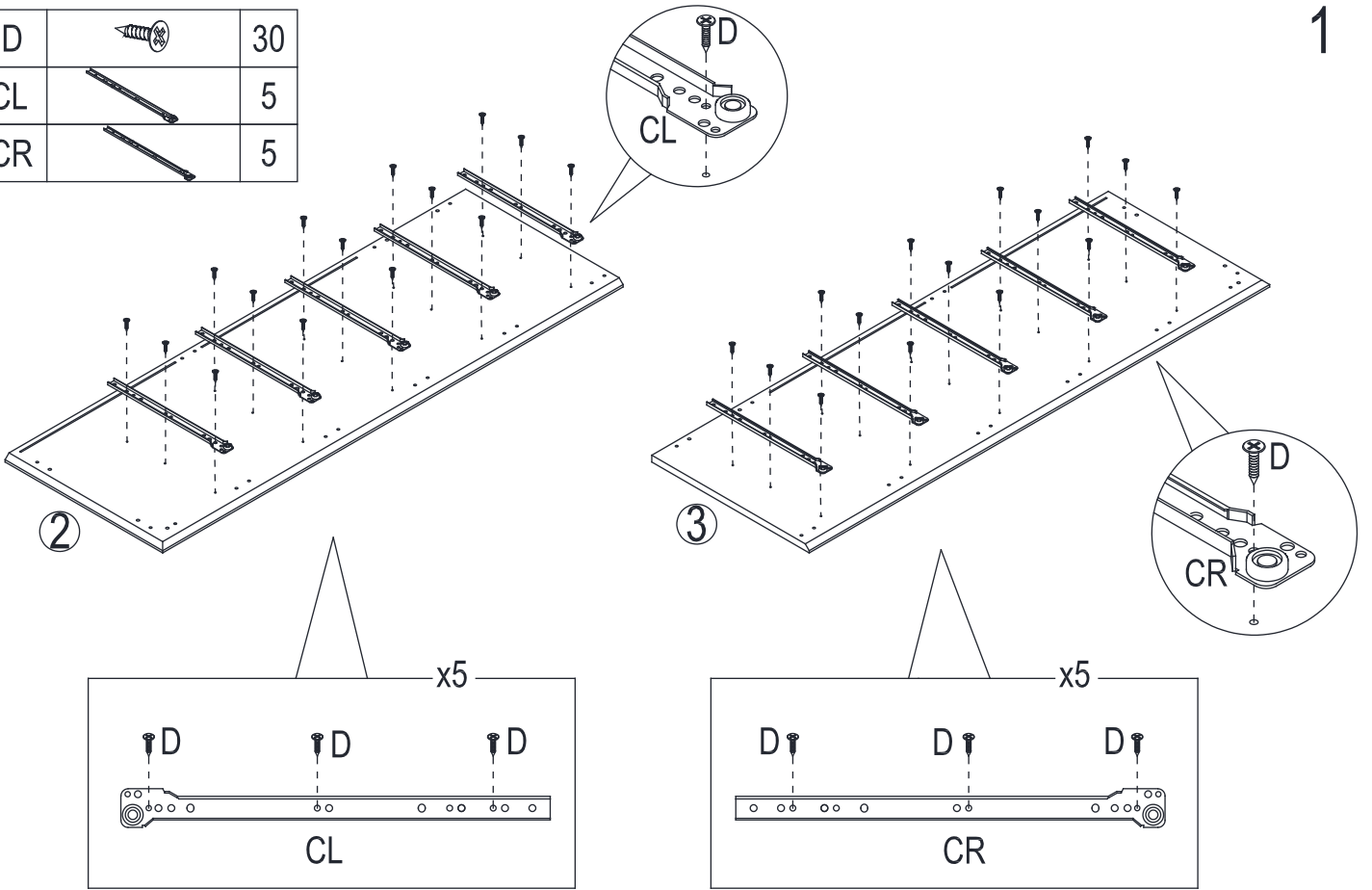
L = 300mm

DR x 5

Note: Some screws include extra pieces for your convenience. Please keep them in case of future use.

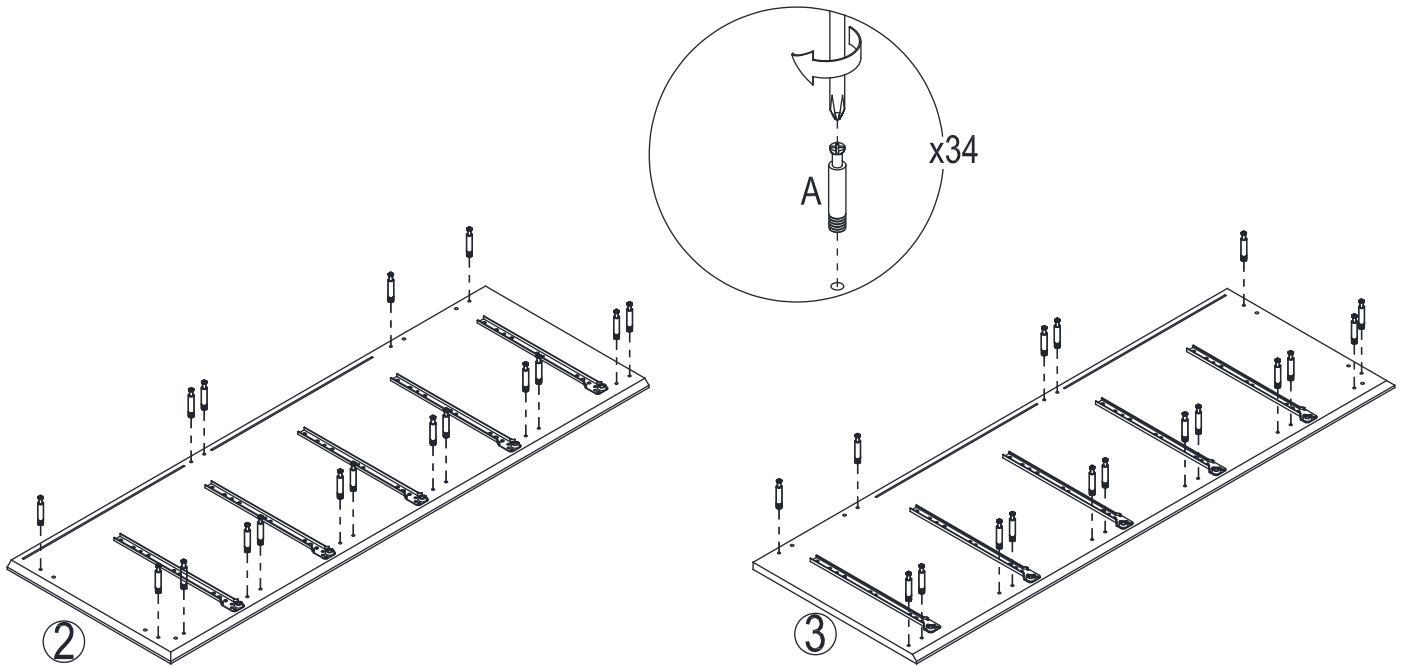
D		30
CL		5
CR		5


1

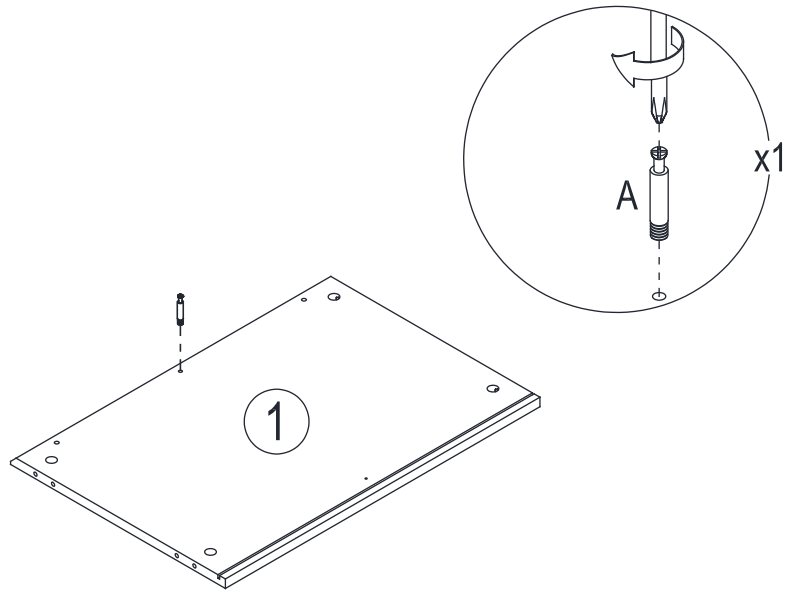






A		34
---	---	----

2

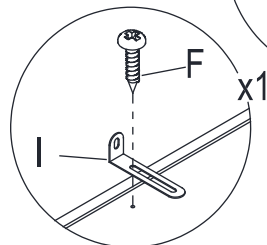
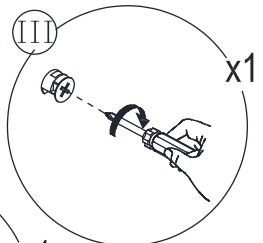
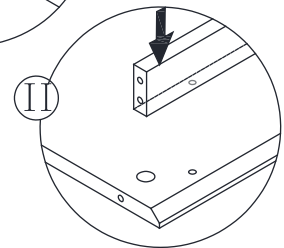
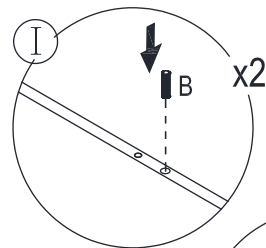
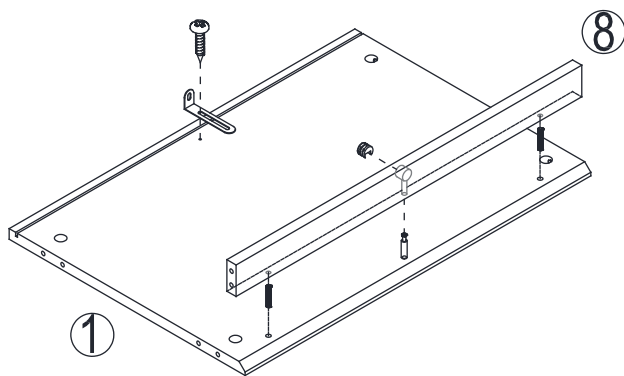




A		1
---	---	---

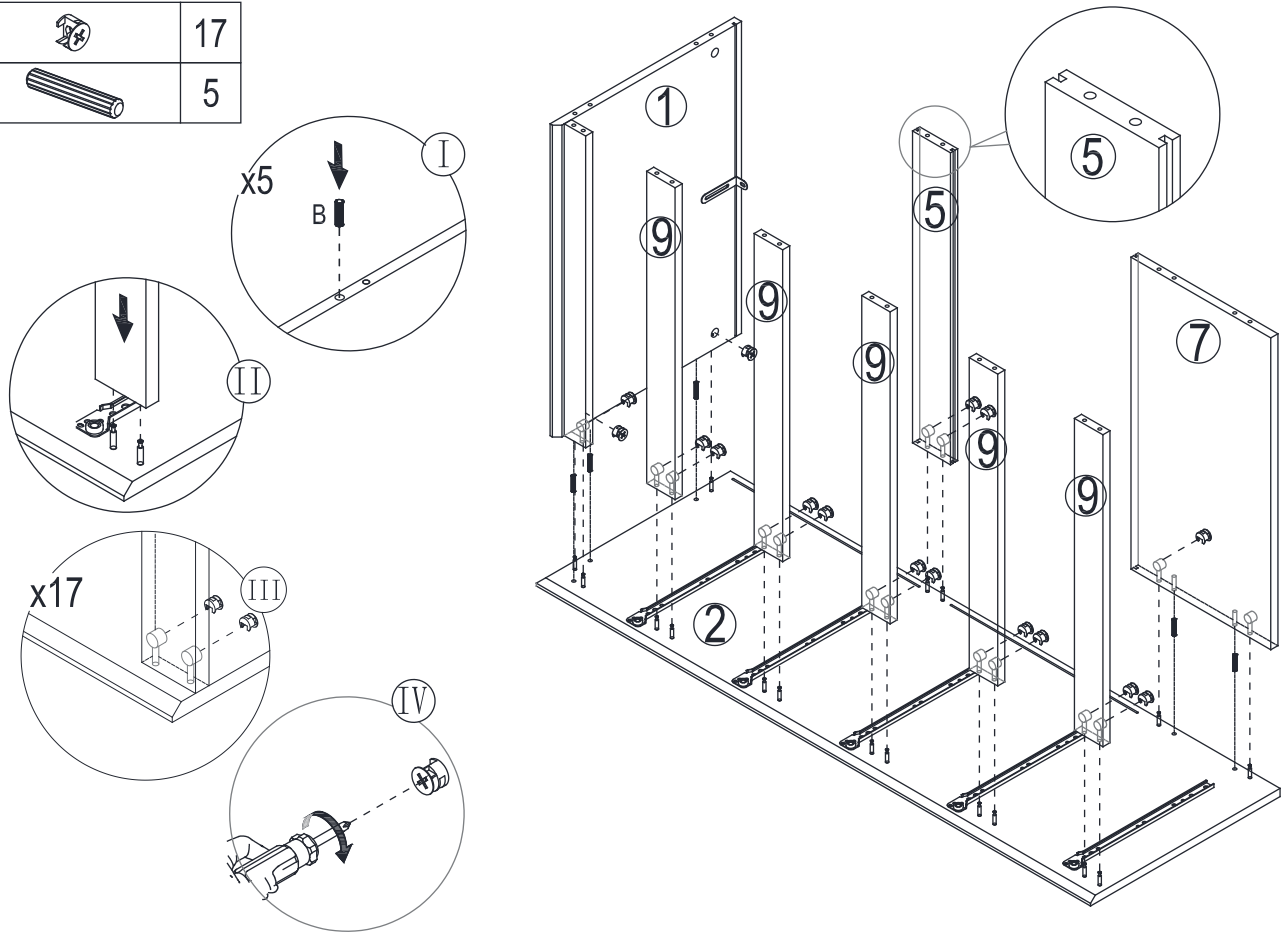


B		2
G		1
F		1
I		1

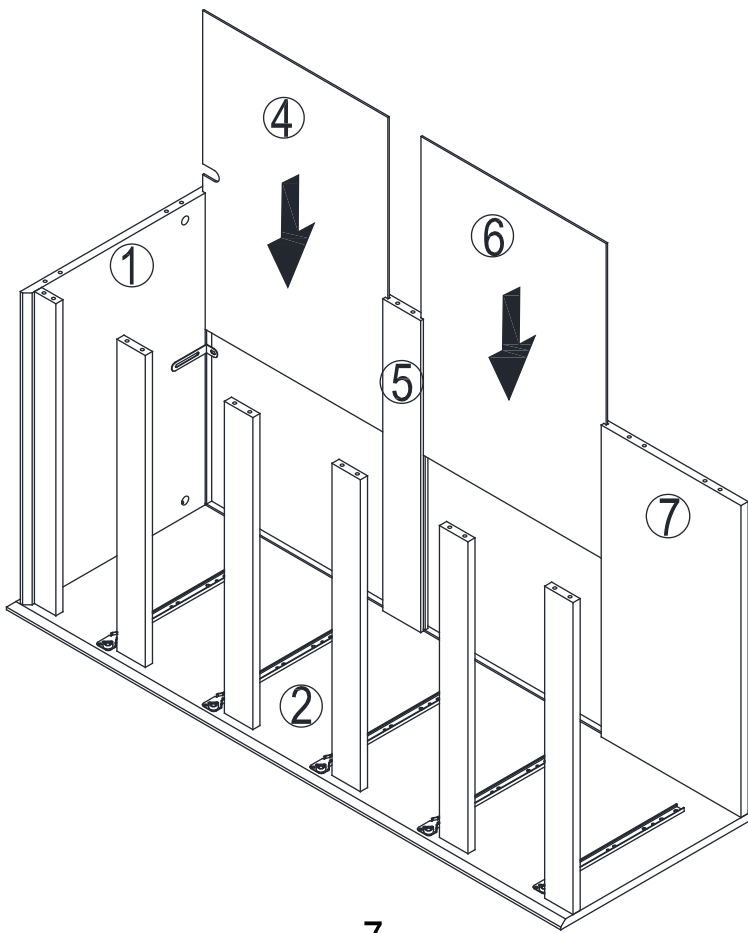
Secure the long side of the 'I' shaped metal plate to Board ① using one short 'F' screw.





G		17
B		5

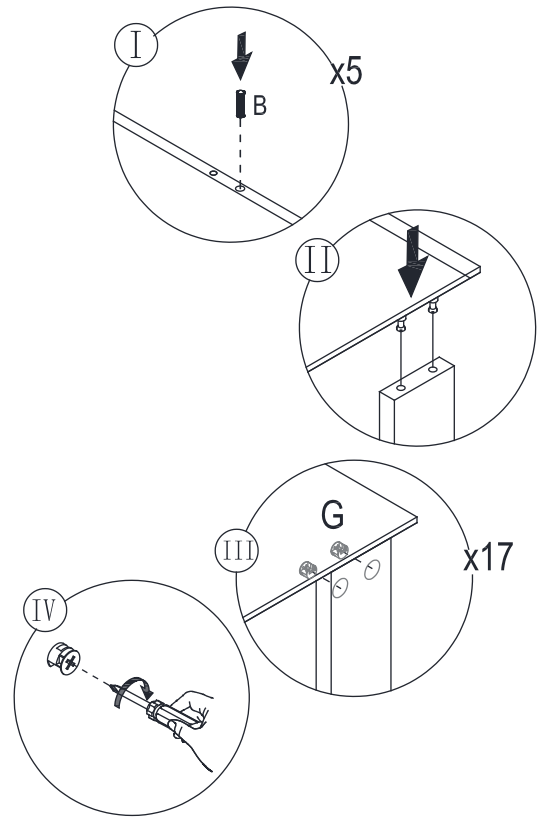
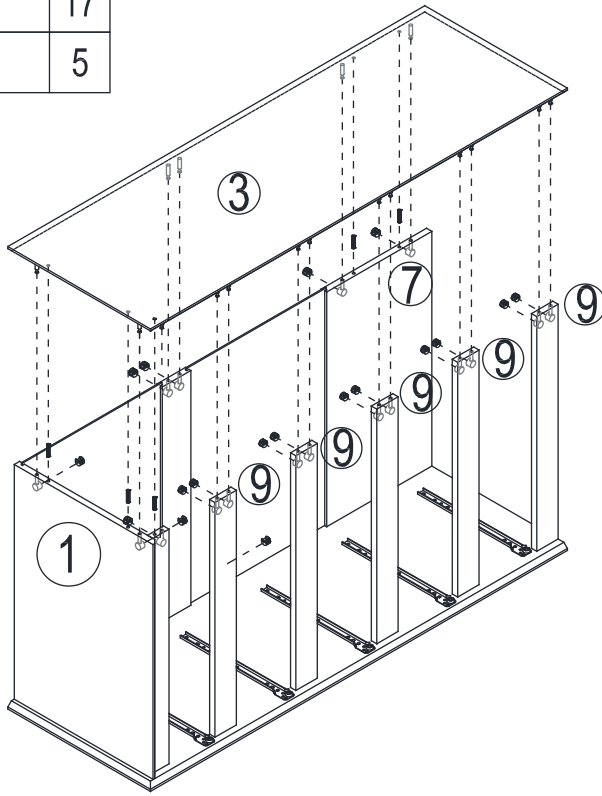


5





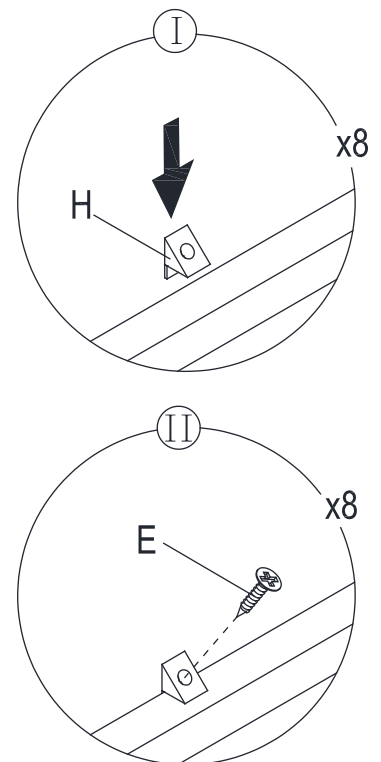
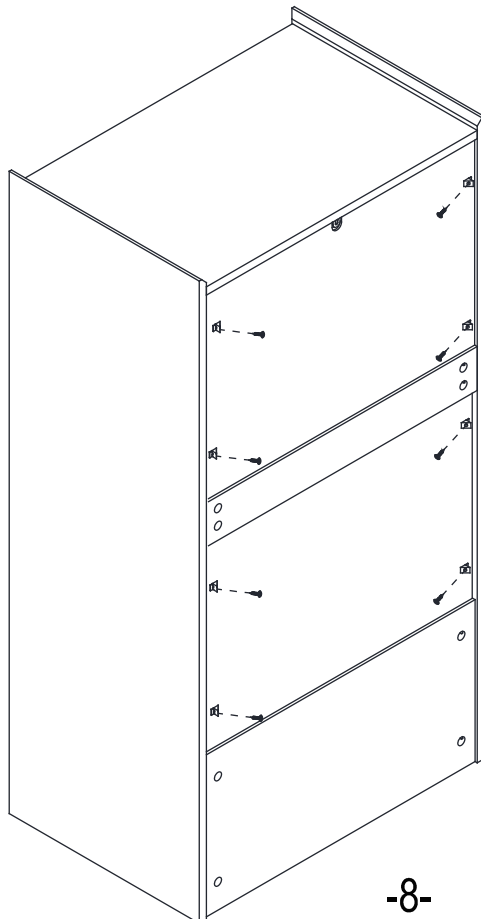
6

G		17
B		5



7

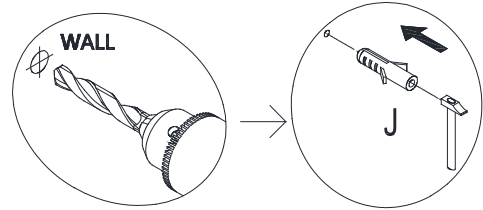
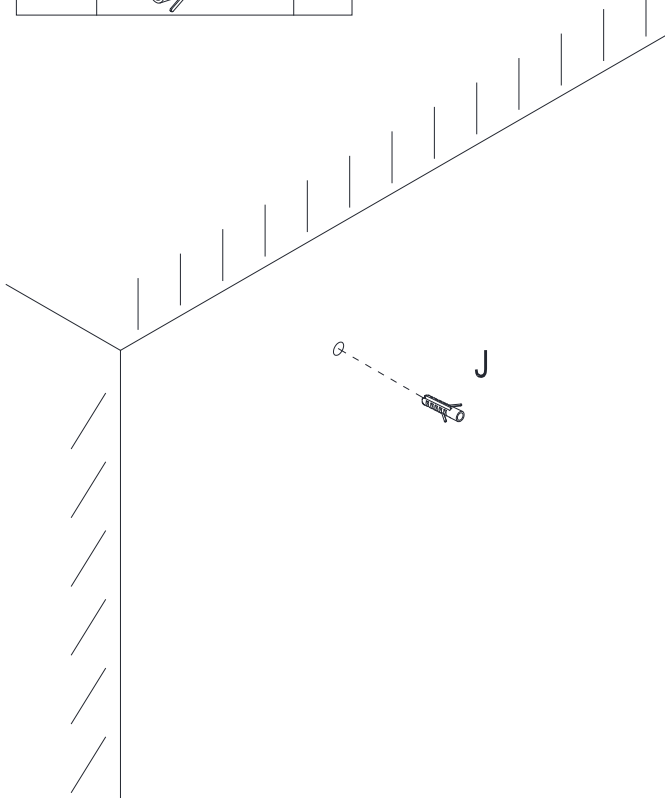
E		8
H		8



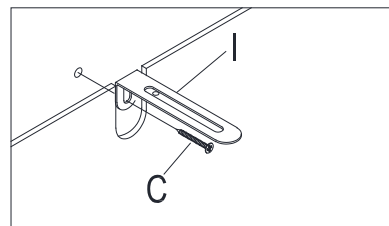
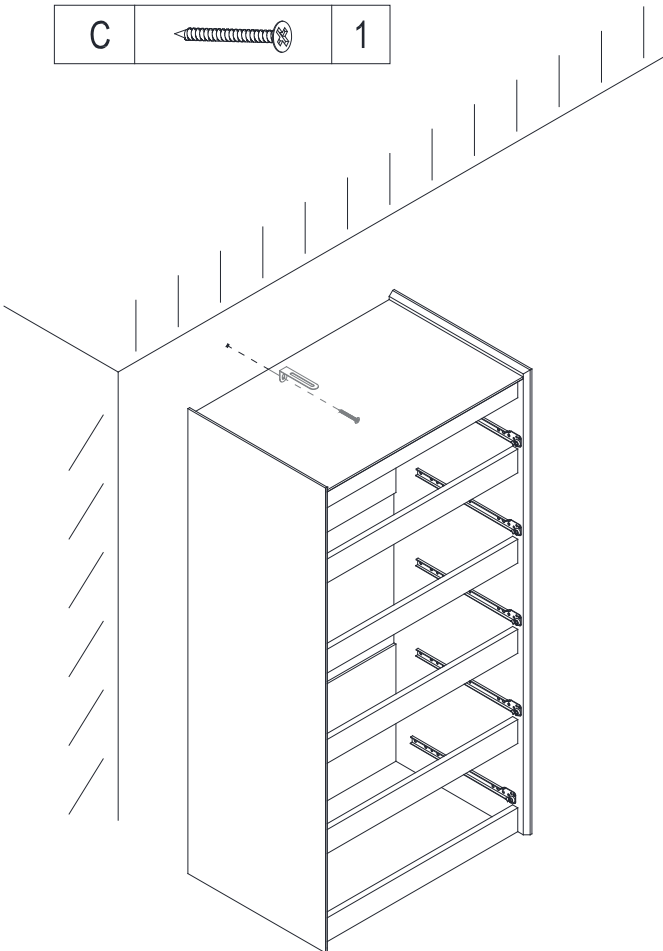
8



Drill two holes in the wall at the marked position for installing the anti-tip device. **9**

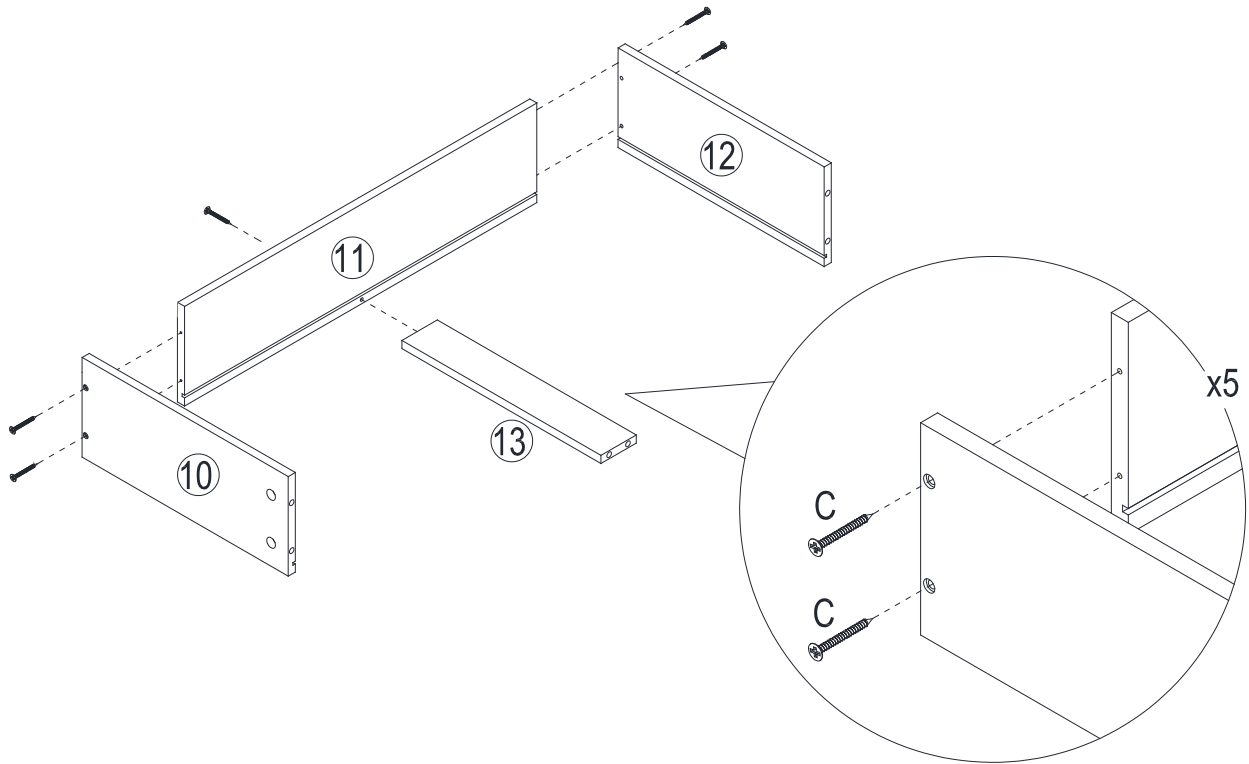


Place the dresser in the desired position, then use screw C to anchor it securely to the wall. **10**



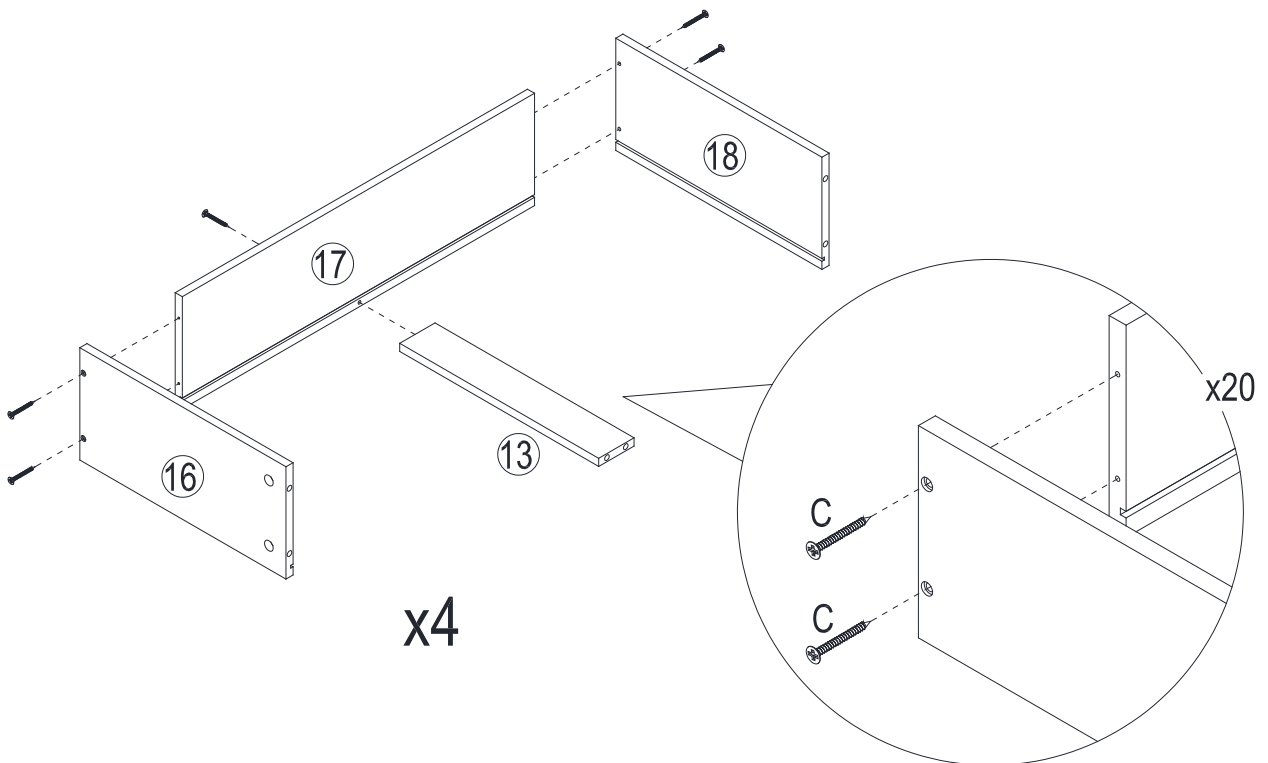
C		5
---	---	---

11



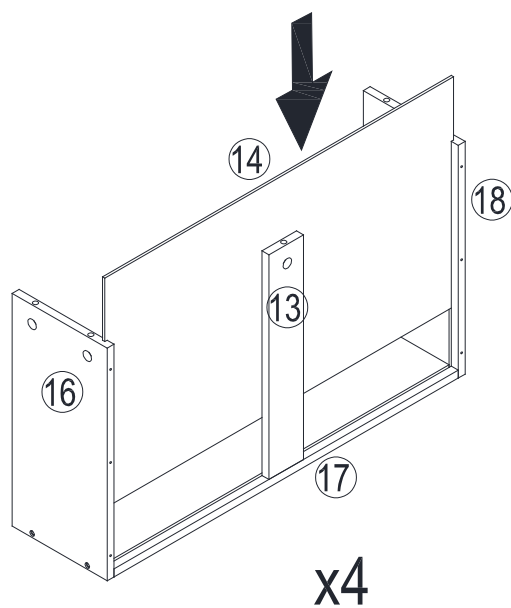
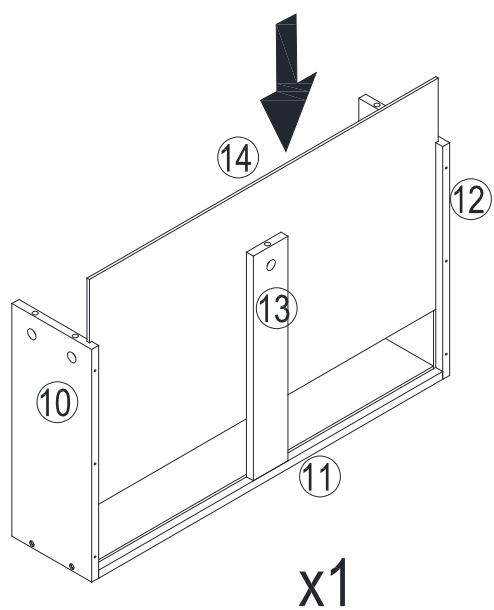
C		20
---	---	----


12

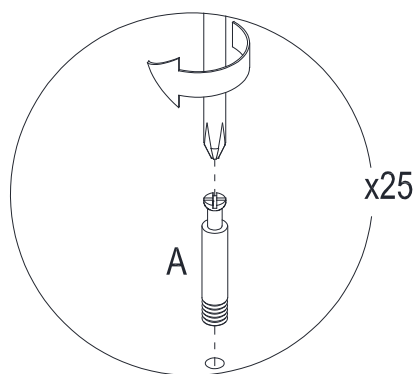
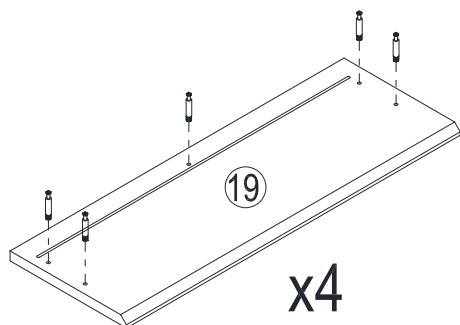
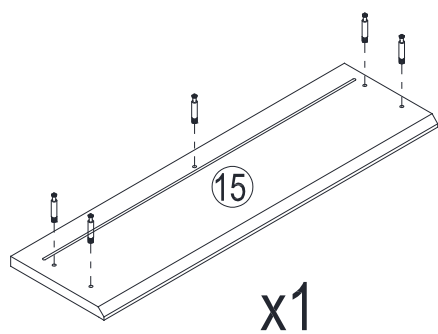


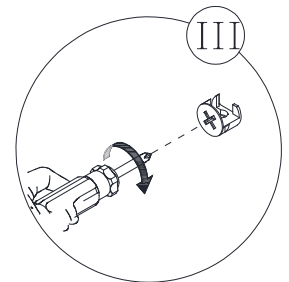
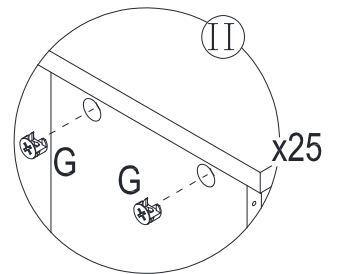
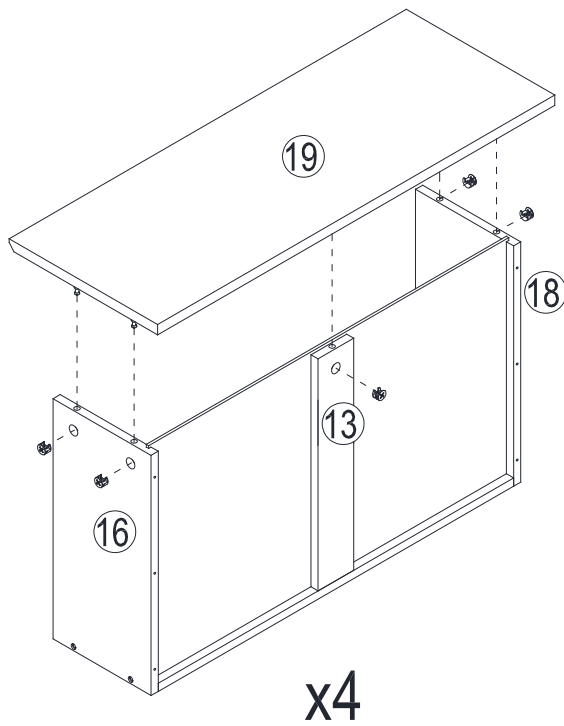
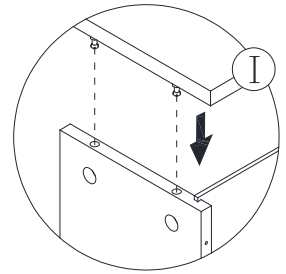
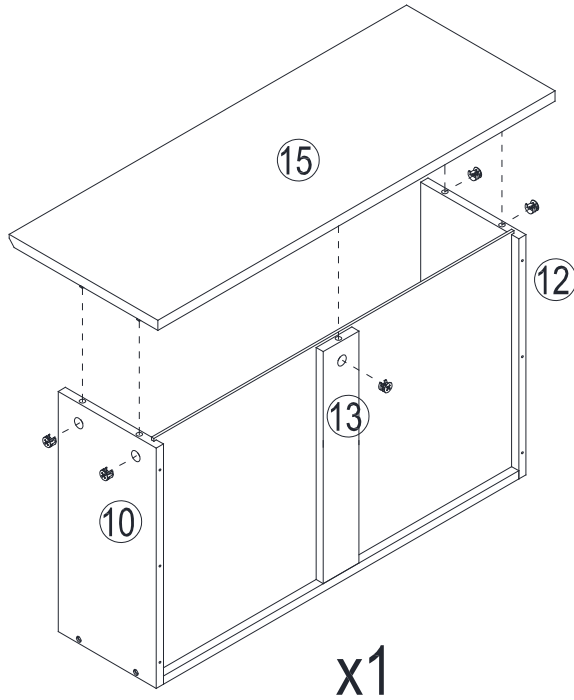
x4




10

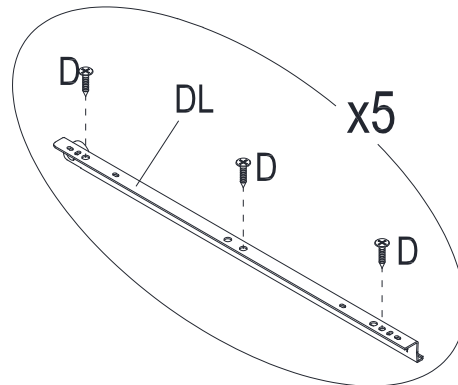
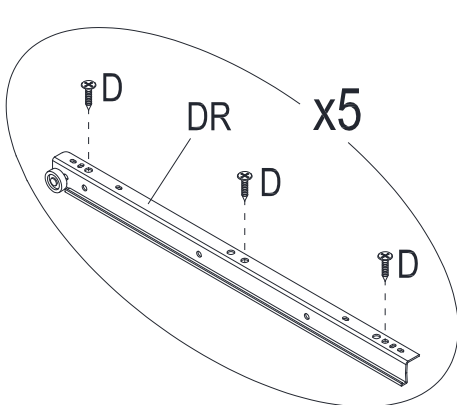
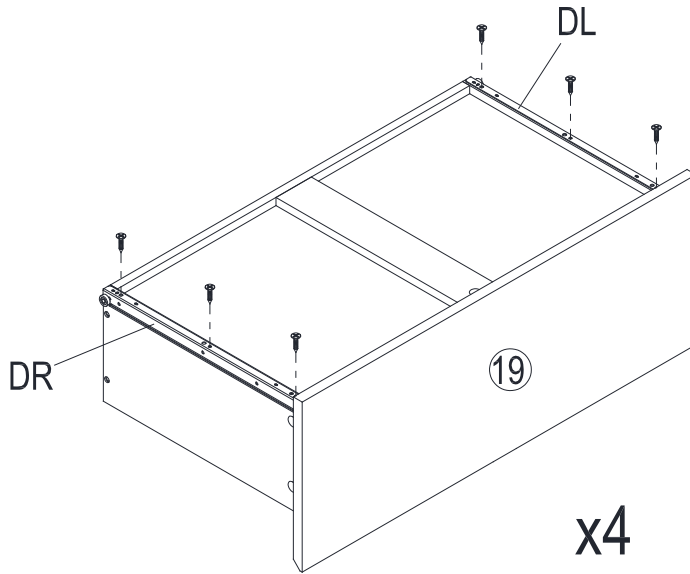
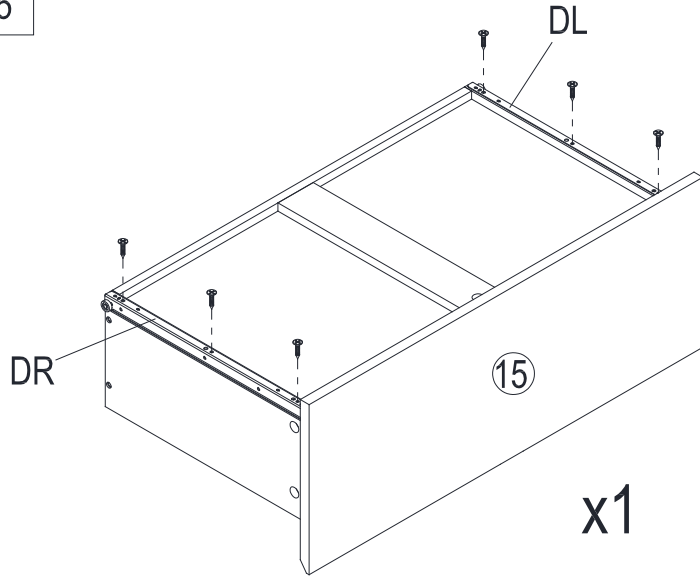


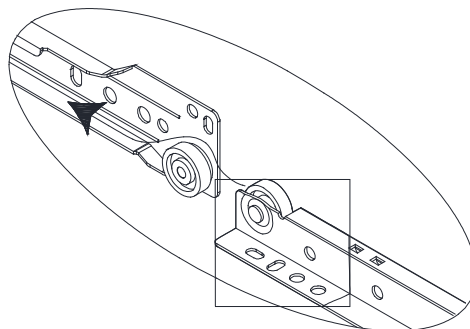
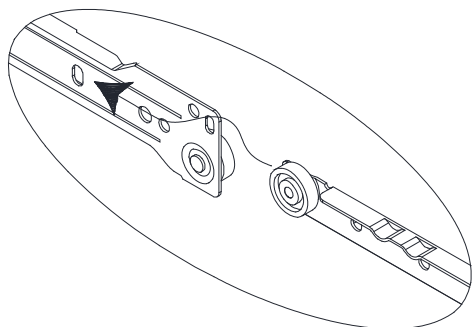
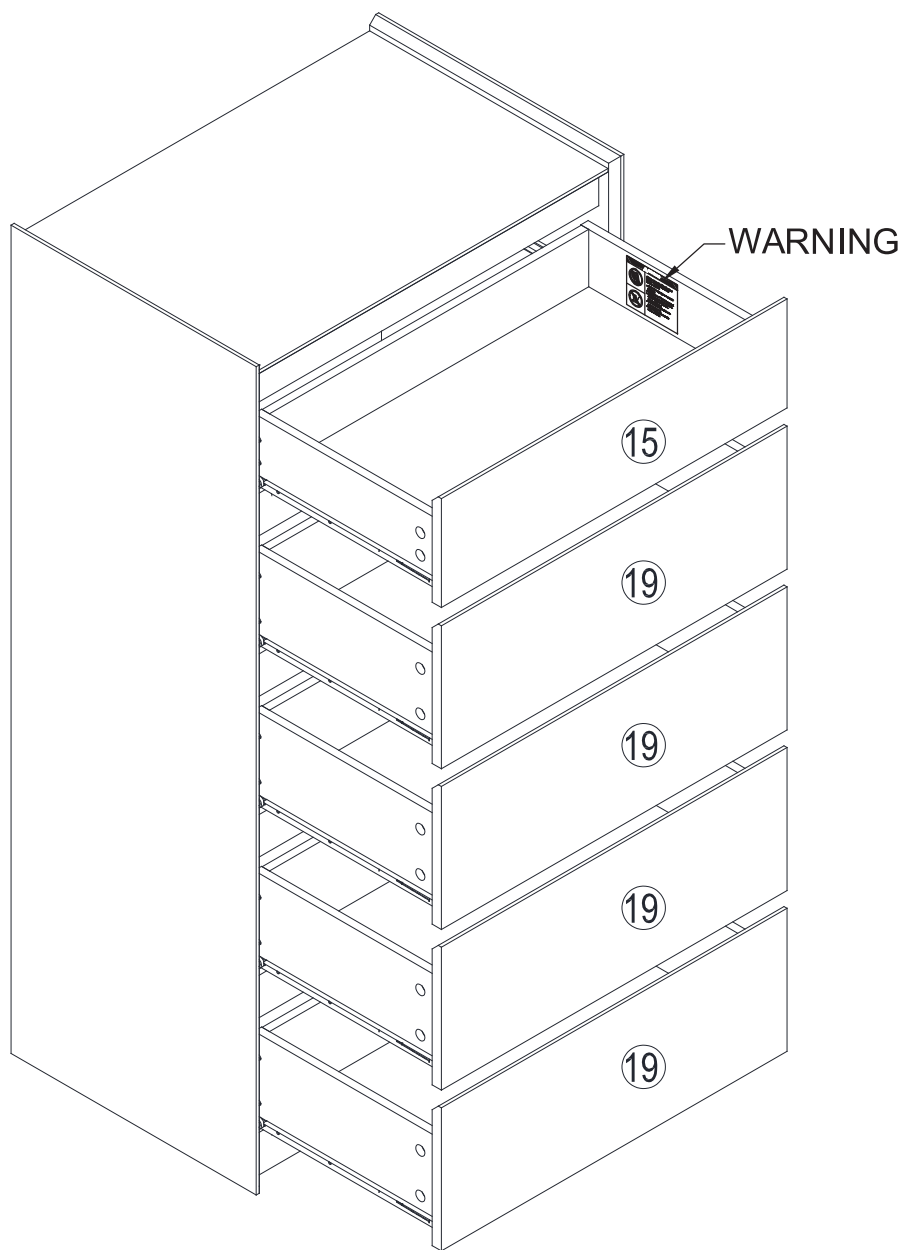
A		25
---	---	----





D		30
DL		5
DR		5





! WARNING

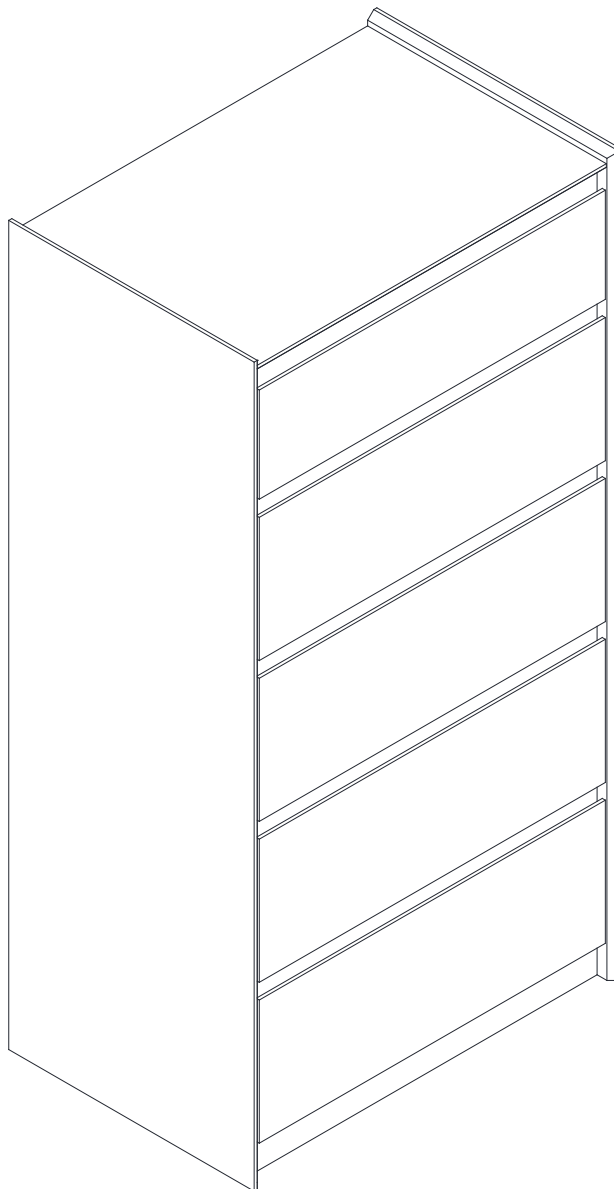


Children have died from furniture tipover. To reduce the risk of furniture tipover:

- **ALWAYS** install Anti-tip device provided.
- **NEVER** put a TV on this product.
- **NEVER** allow children to stand, climb or hang on any drawers, doors, or shelves.
- **NEVER** open more than one drawer at a time.
- Place heaviest items in the lowest drawers.



***This is a permanent label.
Do not remove!***



SAFETY FIRST, STYLE ALWAYS

Thank you for choosing our products. To ensure safety and performance, please follow these instructions:

- **Assembly:** Carefully follow instructions and tighten all parts.
- **Intended Use:** Use furniture as intended and adhere to weight limits.
- **Handling:** Move gently and check for loose parts regularly.
- **Tipping:** Tall or unstable furniture may tip over if not secured, especially in homes with children or pets.
- **Overloading:** Exceeding weight limits can lead to collapse or damage.
- **Sharp Edges:** Handle furniture with sharp corners carefully, especially around children.

MAINTENANCE & CLEANING TIPS

- **Regular Cleaning:** Use a soft, dry cloth to wipe the surface of cabinet regularly. Avoid harsh chemical cleaners.
- **Protect from Sunlight:** Keep cabinet out of direct sunlight to prevent damage to the material and finish.

DON'T WORRY, WE'VE GOT YOUR BACK.

We don't just sell furniture — we're here for the long haul! If you run into any issues due to manufacturing defects or material problems, we offer a 1-year warranty. That means we'll replace any faulty parts for free — no hassle.