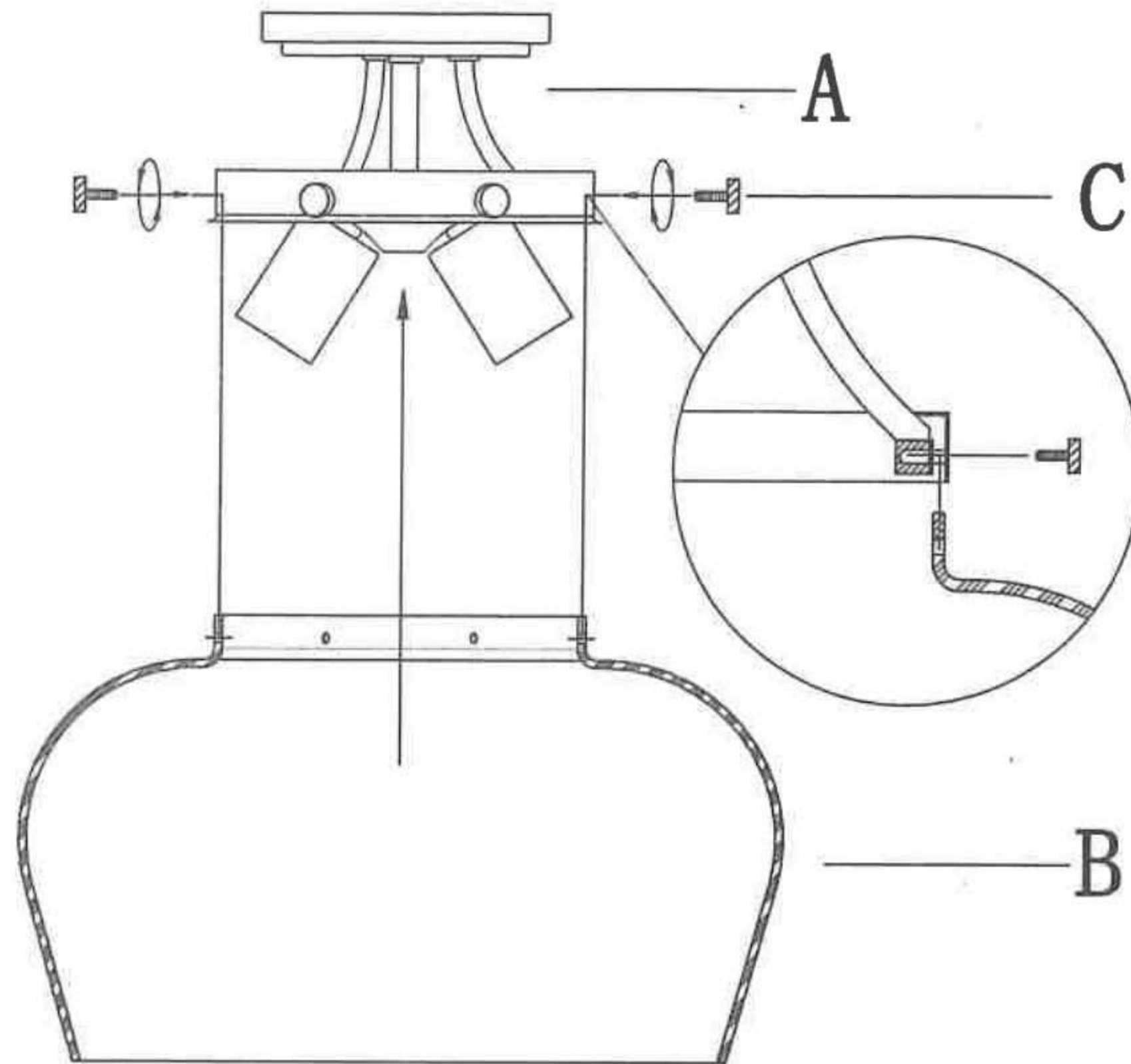


ASSEMBLY INSTRUCTIONS



B → A → C

1. Carefully unpack and identify all parts referring to illustration for parts identification.
2. Turn the power to the installation point OFF.
3. Referring to the installation instruction with the product for the wiring and installation.
4. Place the glass (B) onto the fixture body (A) and secure with screw (C).
5. Install proper bulbs (not provided) to the sockets referring to the marking and/or labels on the fixture for maximum wattage.
6. Restore the power to the installation point ON.
7. Assembly is completely. Retain this sheet for future reference.