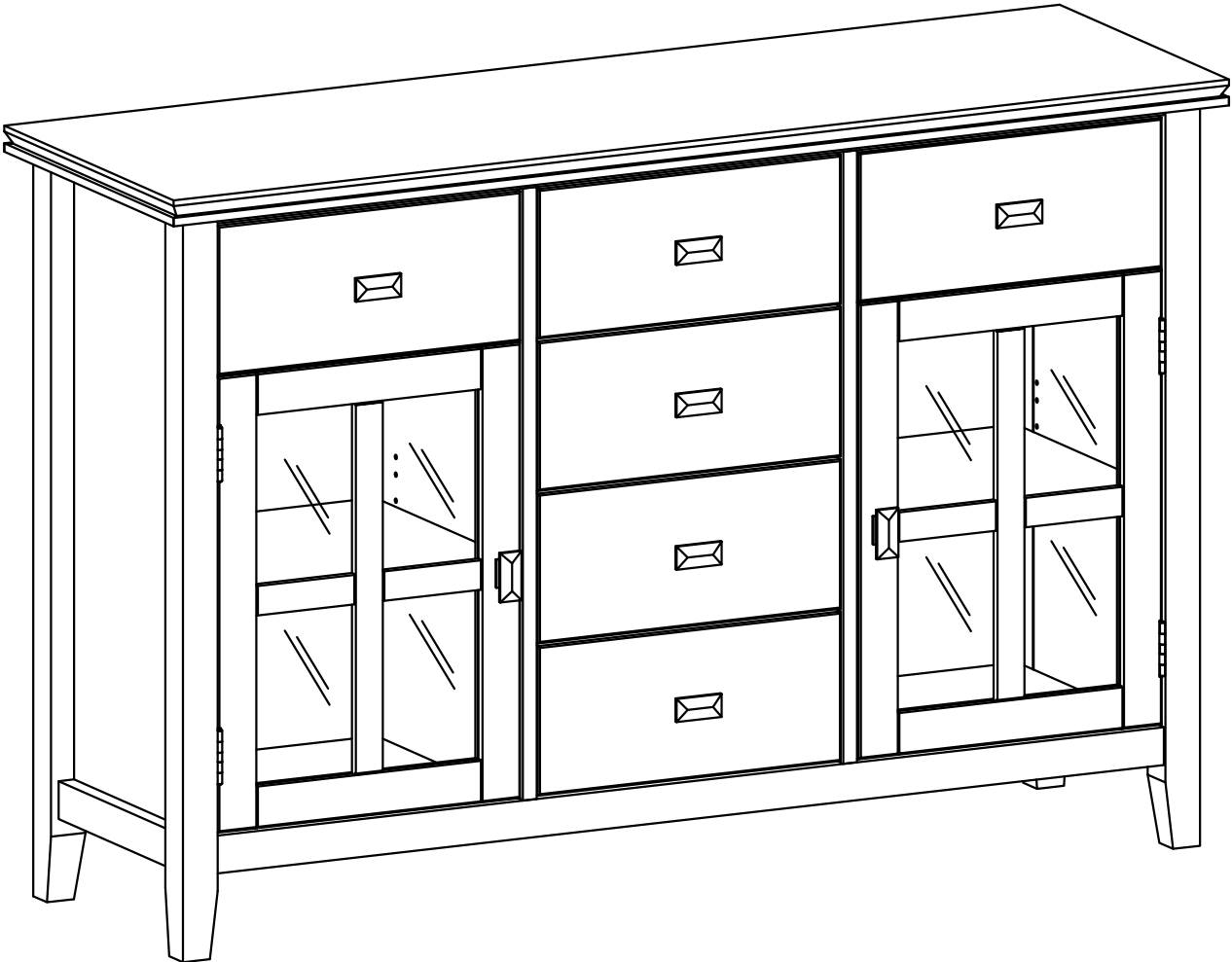


# SIDEBOARD BUFFET





## **DO NOT RETURN**

**FOR REPLACEMENT PARTS OR OTHER INQUIRIES  
PLEASE CONTACT US.**

**PLEASE ENSURE TO HAVE THE MODEL #  
FROM THE PACKAGING OR  
INSTRUCTION BOOKLET**

**IMPORTANT :** Please read this manual carefully before beginning assembly of this product. Keep this manual for future reference.

## SAFETY INFORMATION

Identify all the parts and hardware. Do not discard of the packaging until you have checked that you have all of the parts and hardware required. Hardware package may have spare parts.

**WARNING:** This item contains small parts which can be swallowed by children and pets. Keep children and pets away during assembly. To avoid danger of suffocation, always keep plastic bags away from children and pets. We recommend that you assemble this unit on a carpeted floor to avoid scratches. We do not recommend the use of power tools for assembly as this could damage the unit. Only use manual tools.

**May require 2 people for ease of assembly.**

## CARE and MAINTENANCE

To clean, use a soft or slightly damp cloth, then wipe with a clean, dry cloth. Dust with soft dry cloth.

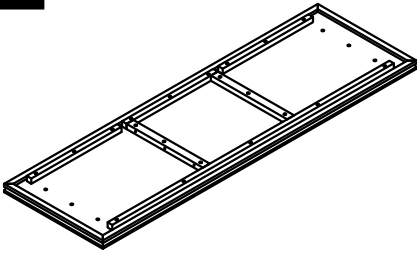
Do not use ammonia-based cleaning products, as they will damage the finish. Do not leave liquids or damp cloths on this furniture.

To avoid dulling of the finish, do not place furniture in direct sunlight. Please inspect and tighten all screws or bolts on a regular basis to ensure proper performance and safety of your item.

# PRE-ASSEMBLY INFORMATION

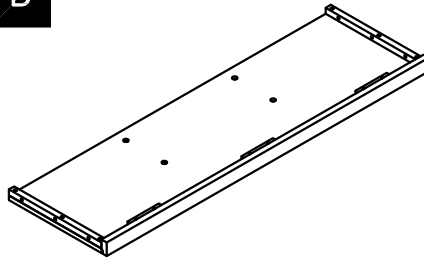
## PART DESCRIPTION

**A**



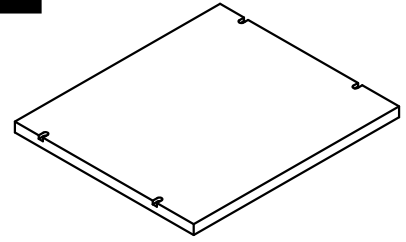
TOP  
QTY 1

**B**



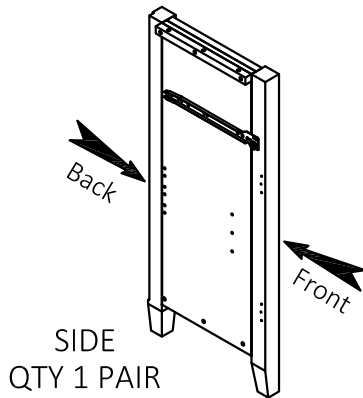
BOTTOM SHELF  
QTY 1

**C**



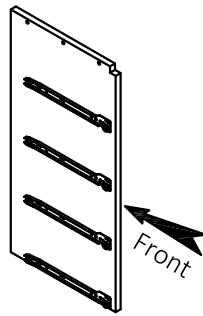
SHELF  
QTY 2

**D**



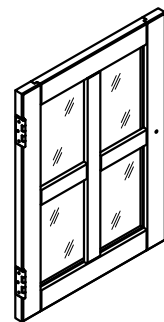
SIDE  
QTY 1 PAIR

**E**



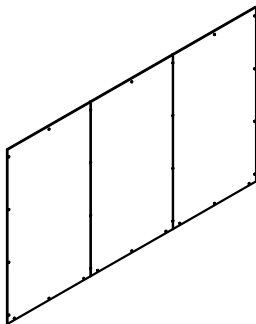
DIVIDER  
QTY 1 PAIR

**F**



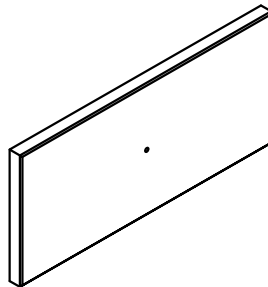
DOOR  
QTY 2

**G**



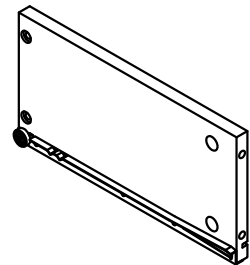
BACK PANEL  
QTY 1 SET

**H**



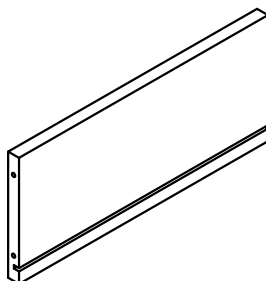
DRAWER FRONT  
QTY 6

**I**



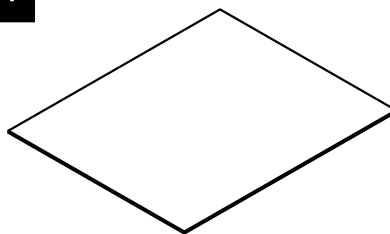
DRAWER SIDE  
QTY 6 PAIR

**J**



DRAWER BACK  
QTY 6

**K**



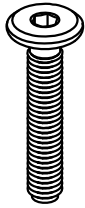
DRAWER BOTTOM  
QTY 6

**NEED HELP?** For help with assembly or if you are missing a part,  
Please call customer service

# PRE-ASSEMBLY INFORMATION

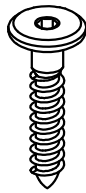
## HARDWARE DESCRIPTION

1



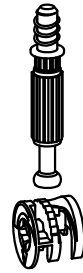
ALLEN KEY BOLT  
M6 X 30mm  
QTY 12

2



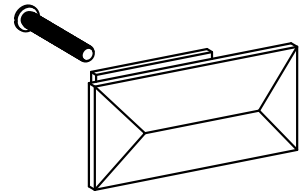
ALLEN KEY SCREW  
M6 X 30mm  
QTY 36

3



CAM LOCK PIN  
CAM LOCK  
QTY 24 SETS

4



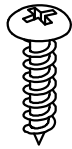
HANDLE  
M4 X 30 mm  
QTY 8 SETS

5



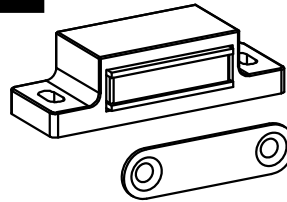
ALLEN KEY  
QTY 1

6



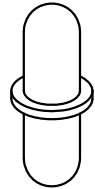
PHILLIPS SCREW  
ROUND HEAD  
M4 X 15mm  
QTY 28

7



MAGNET AND PLATE  
QTY 2 SET

8



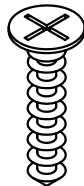
SHELF SUPPORT  
QTY 12

9



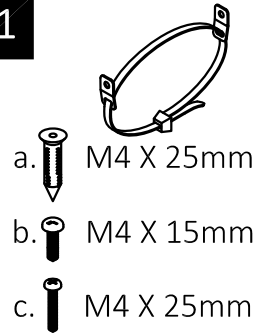
PHILLIPS SCREW  
M3 X 12mm  
QTY 12

10

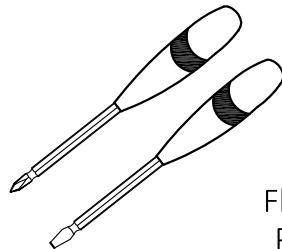


PHILLIPS SCREW  
M3 X 15mm  
QTY 8

11



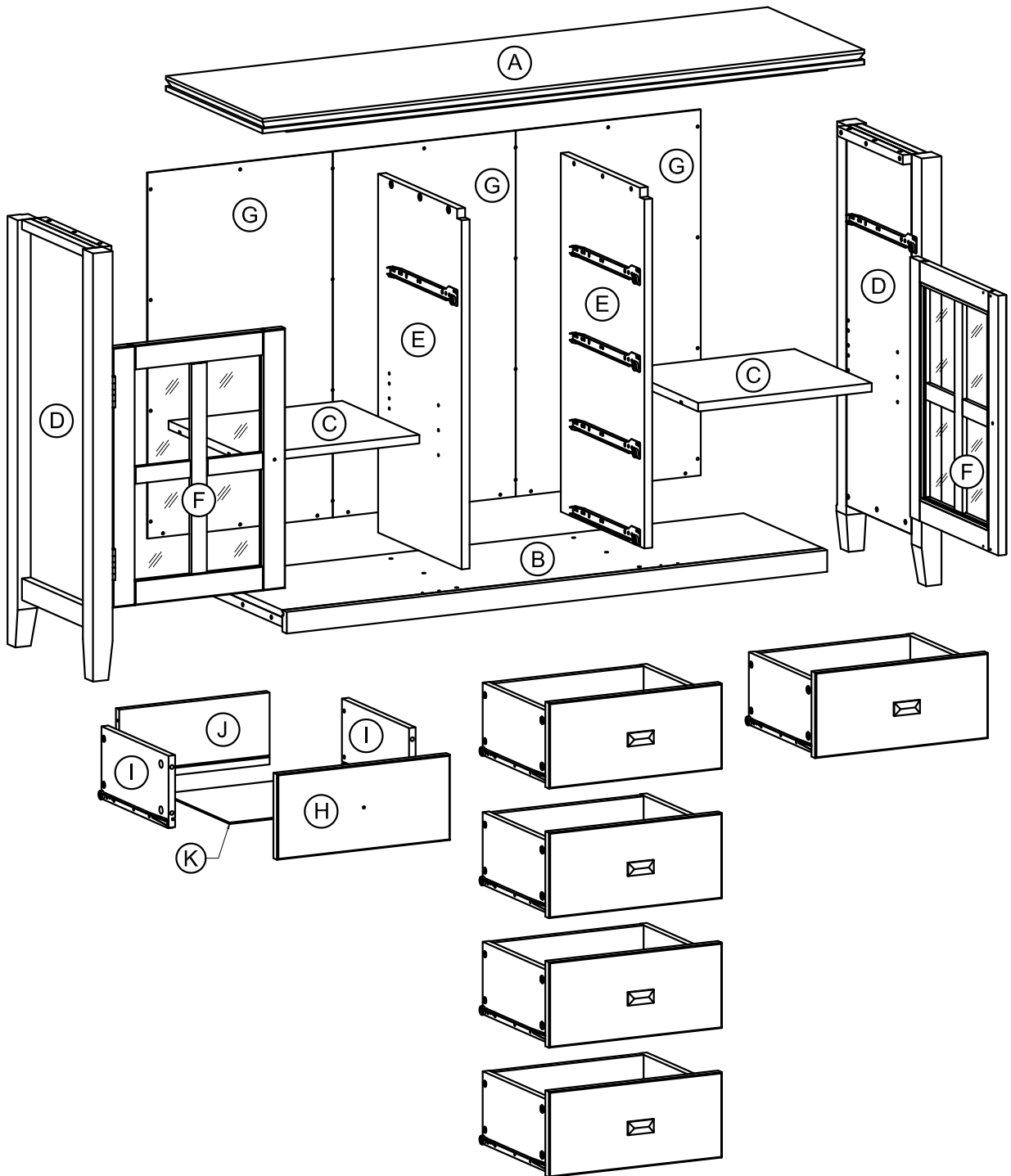
TIPPING RESTRAINT  
QTY 1 SET



Required -  
Flathead screwdriver  
Phillips screwdriver  
**Not Included**

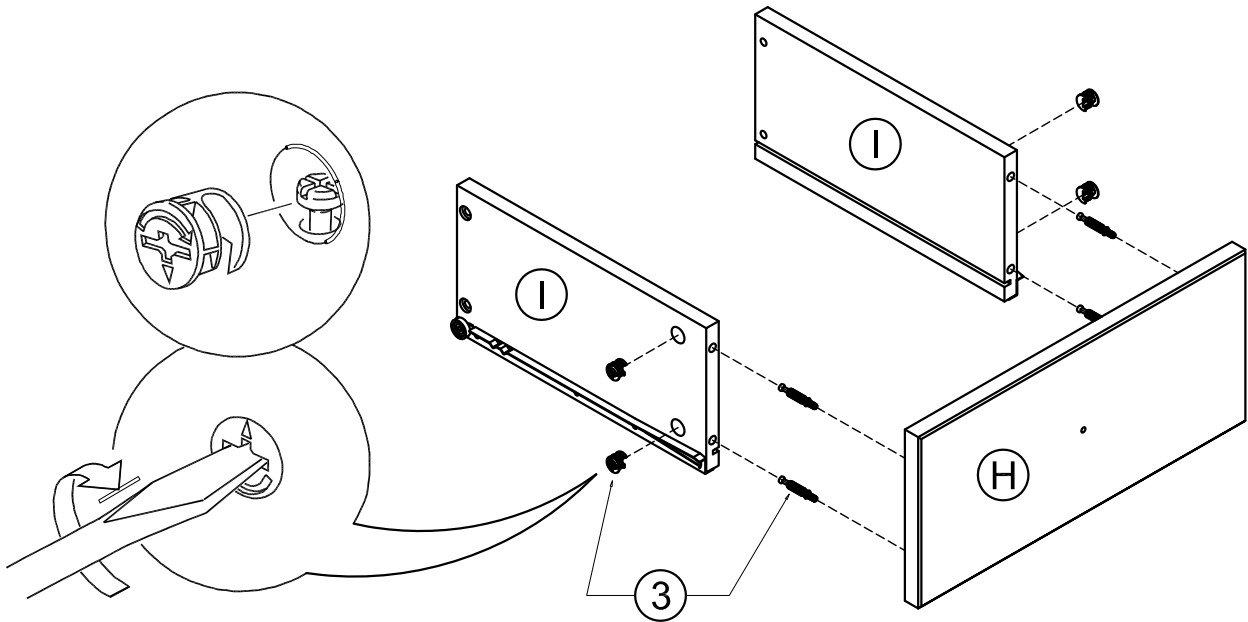
**NEED HELP?** For help with assembly or if you are missing a part,  
Please call customer service

# COMPONENTS-KEY DIAGRAM



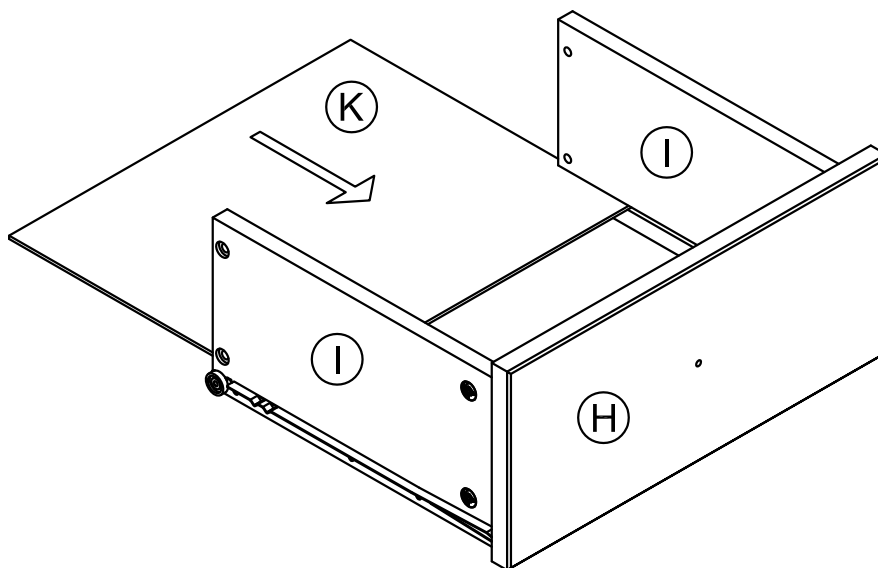
## ASSEMBLY

### STEP-1



1. Attach 4 Cam Lock Pins (3) to pre-drilled holes at back of Drawer Front (H).
2. Align Cam Lock Pins with pre-drilled holes and attach Drawer Sides (I).
3. Insert 2 Cam Locks (3) into pre-drilled holes on each Drawer Side (I).
4. Use flathead screwdriver secure Cam Locks.

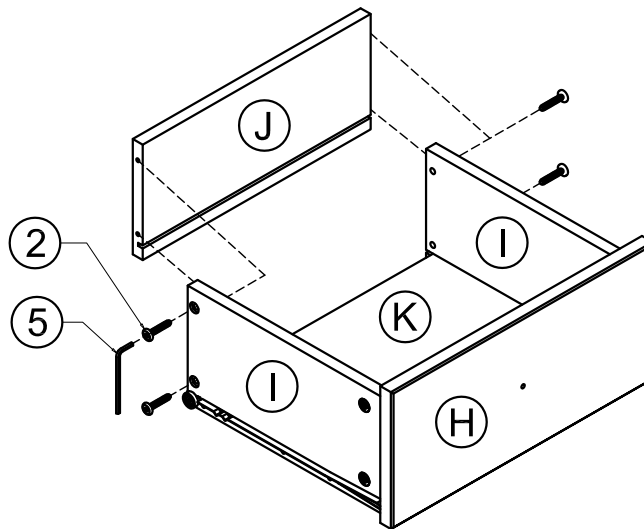
### STEP-2



1. Slide Drawer Bottom (K) firmly into slots on Drawer Sides (I) and Drawer Front (H).

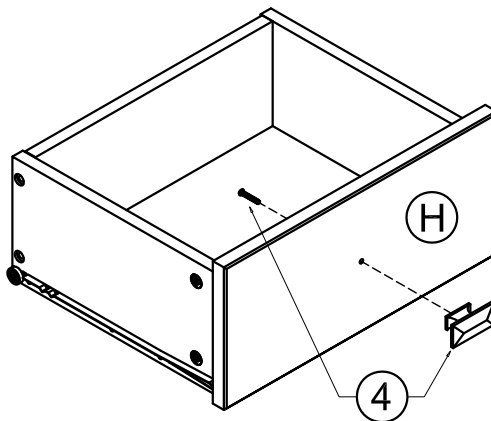
## ASSEMBLY

### STEP-3



1. Align Drawer Back (J) with Drawer Bottom (K) and press firmly into slot .
2. Attach Drawer Back using 2 Allen Key Screws (2) through pre-drilled holes on each Side (I).
3. Use Allen Key (5) to tighten screws. Do not over-tighten.

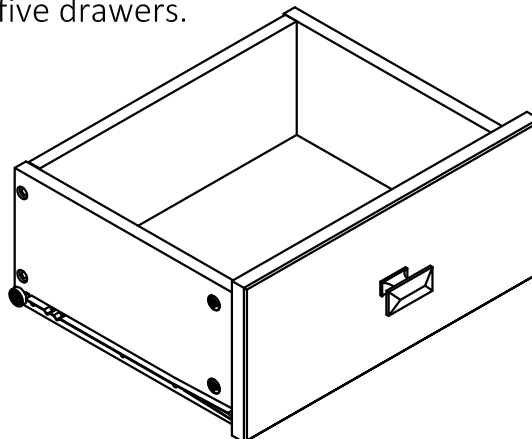
### STEP-4



**NOTE:** The screwdriver is not included in the hardware pack.

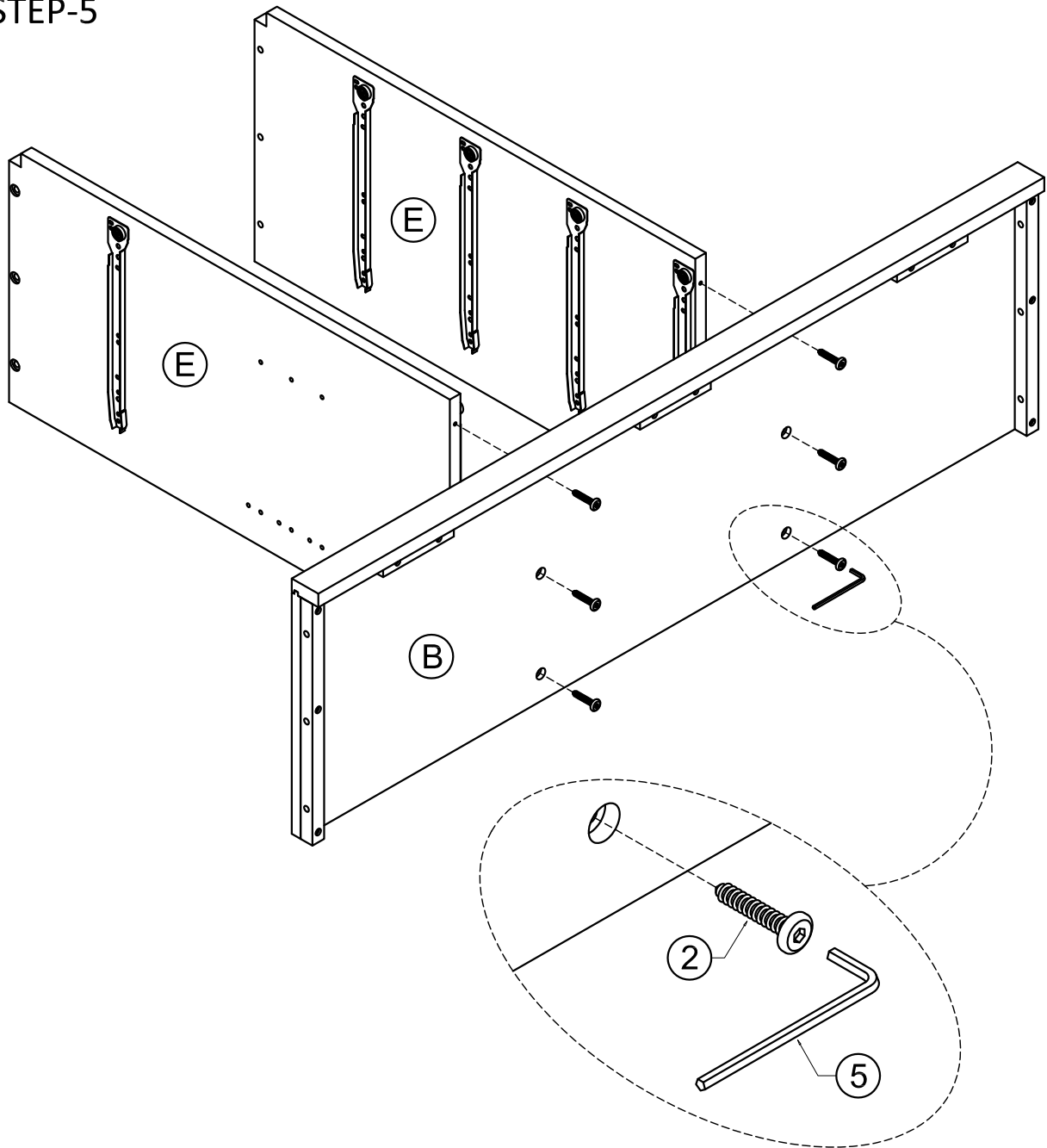
1. Use Phillips screwdriver to attach Handle (4) to Drawer Front (H) .

Repeat Step 1-4 for the other five drawers.



# ASSEMBLY

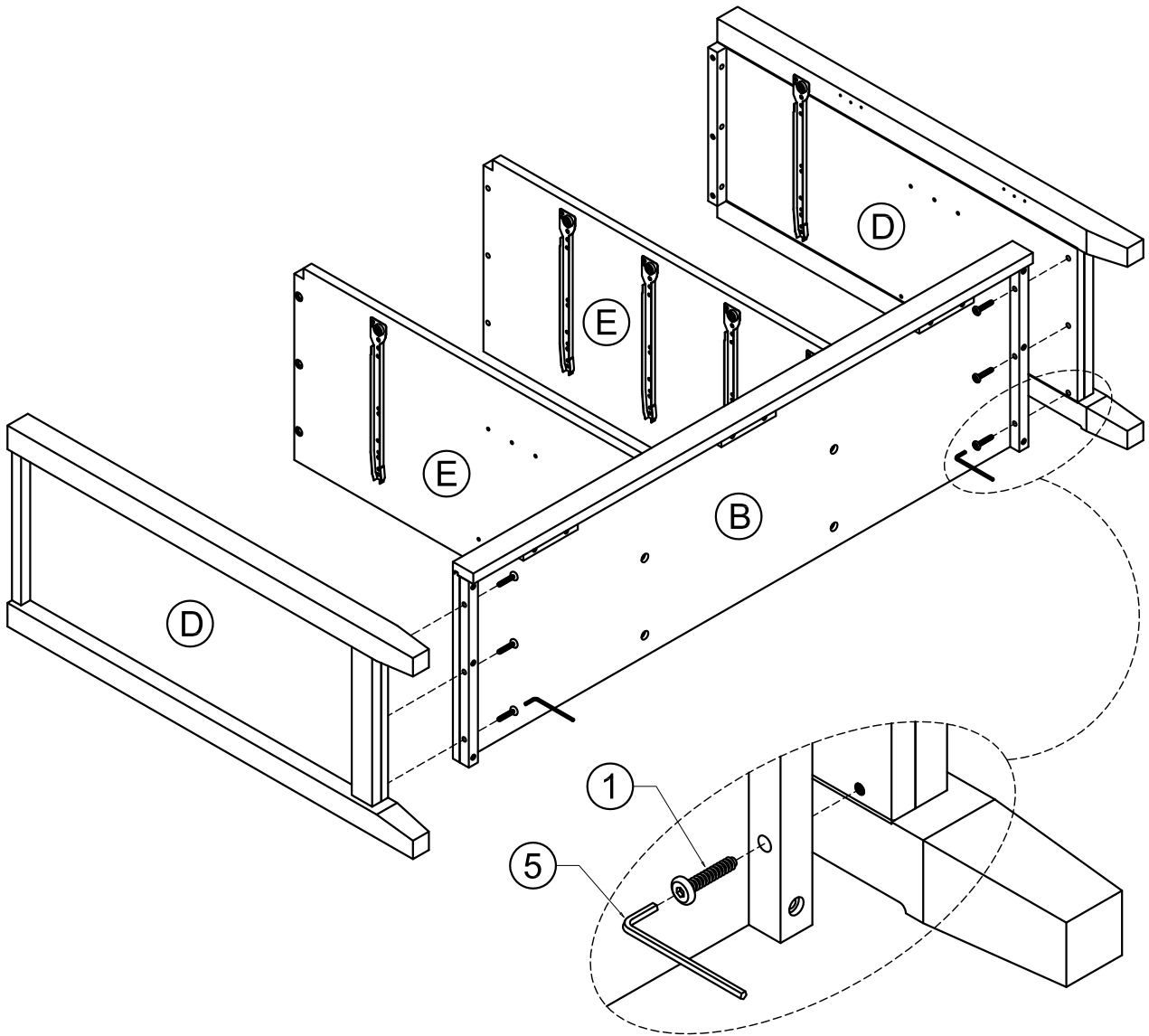
## STEP-5



1. Attach Dividers (E) to Bottom Shelf (B) using 6 Allen Key Screws (2) (3 Screws / each Divider ).
2. Use Allen Key (5) to tighten screws. Do not over-tighten.

# ASSEMBLY

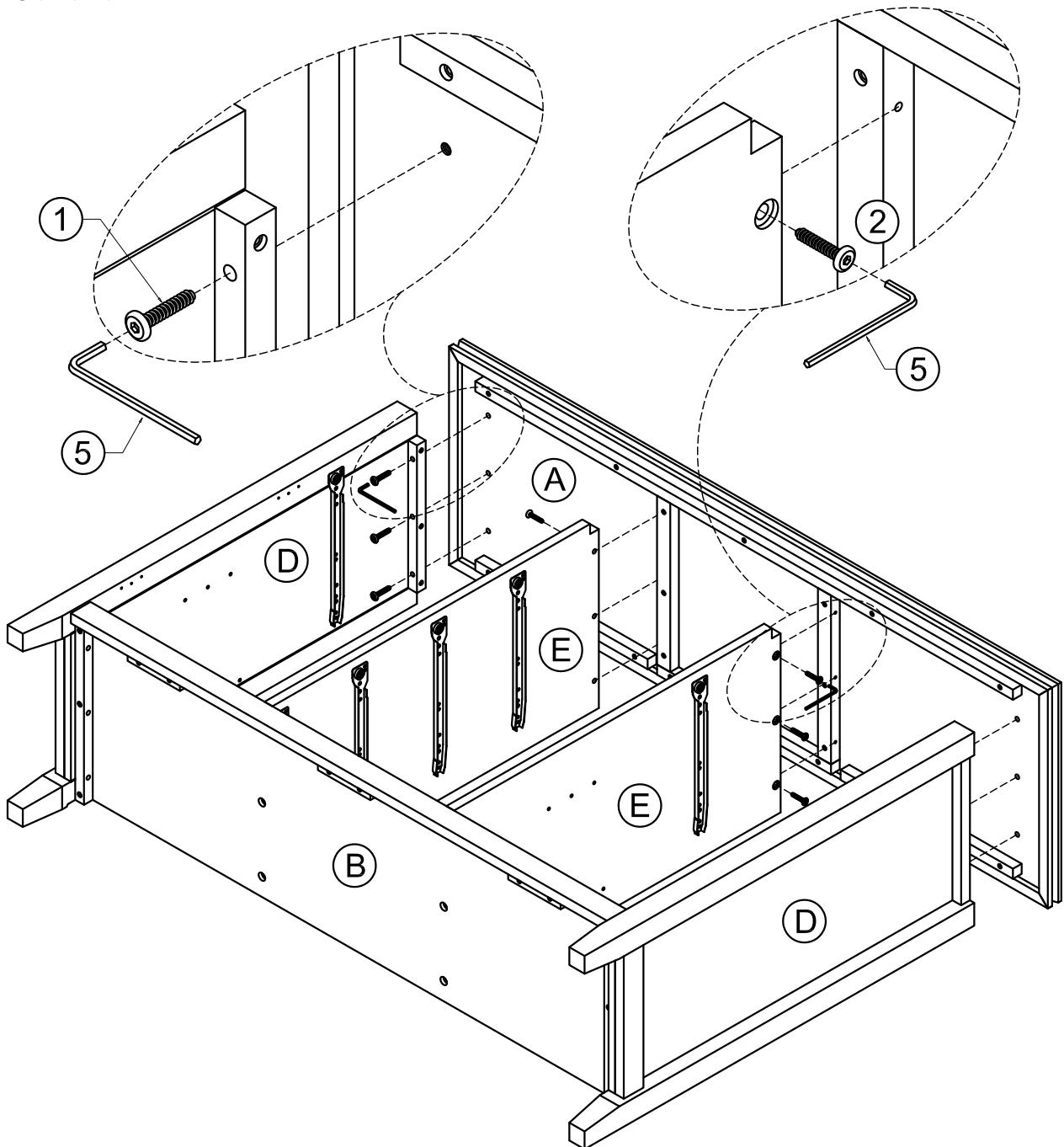
## STEP-6



1. Attach Bottom Shelf (B) to Sides (D) using 6 Allen Key Bolts (1) ( 3 Bolts / each Side ).
2. Use Allen Key (5) to tighten screws. Do not over-tighten.

# ASSEMBLY

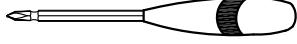
## STEP-7



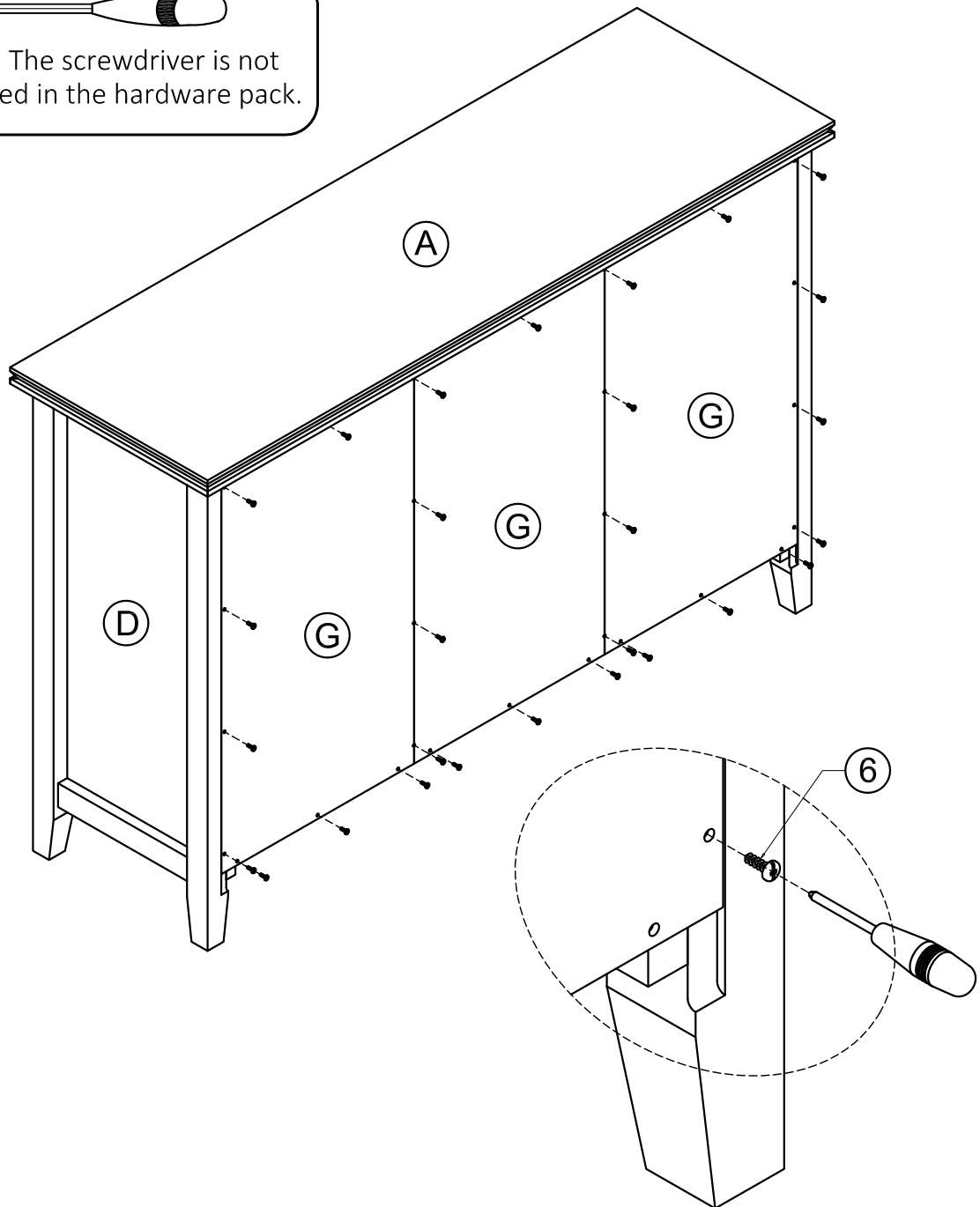
1. Attach Top (A) to Sides (D) using 6 Allen Key Bolts (1) ( 3 Bolts / each Side ).
2. Attach Top (A) to Dividers (E) using 6 Allen Key Screws (2) ( 3 Screws / each Divider ).
3. Use Allen Key (5) to tighten screws and bolts. Do not over-tighten.

# ASSEMBLY

## STEP-8



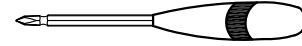
NOTE: The screwdriver is not included in the hardware pack.



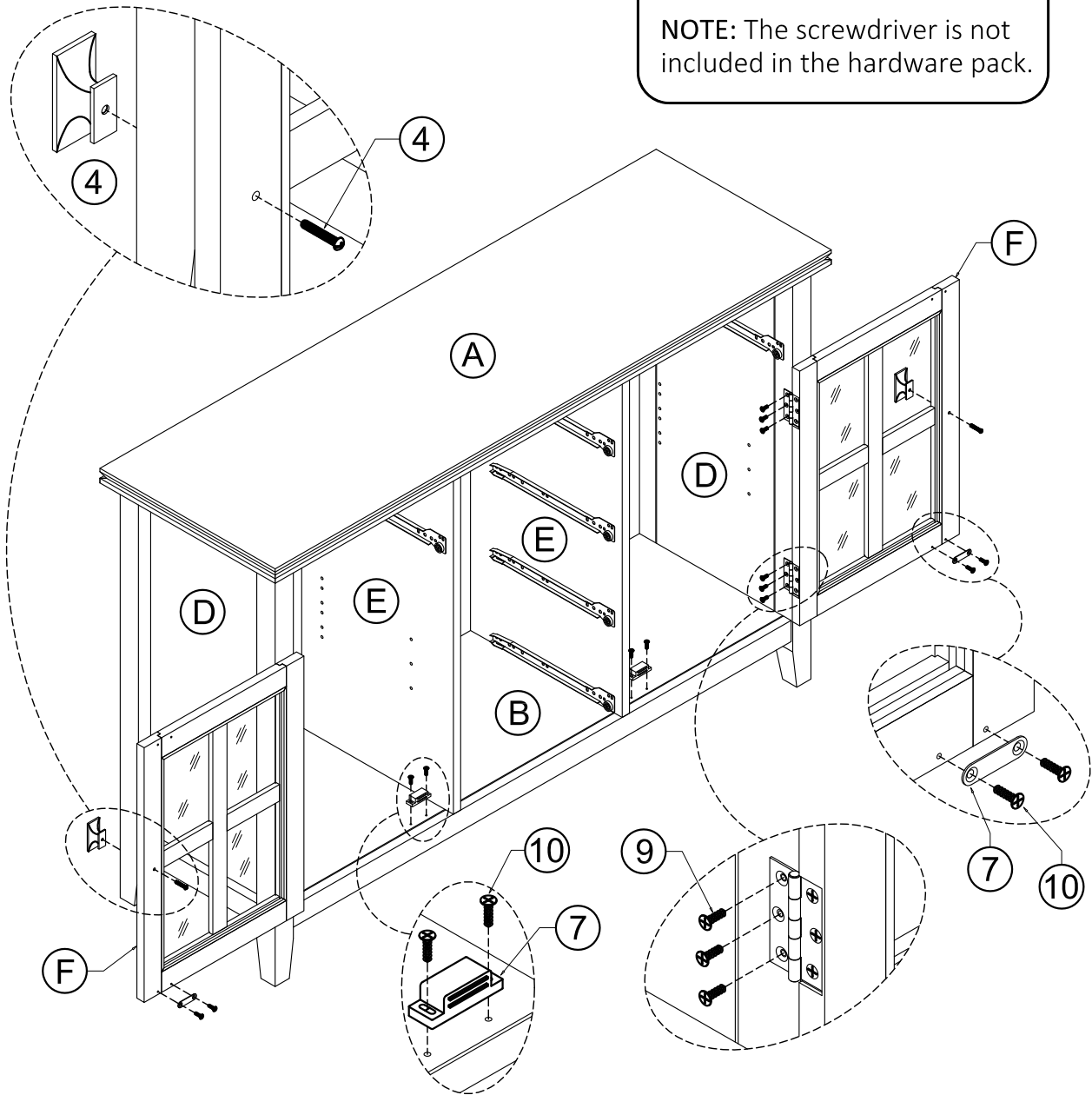
1. Attach the Back Panels (G) to back frame of cabinet using Phillips Screws Round Head (6) through pre-drilled holes.
2. Use Phillips screwdriver to tighten screws.

# ASSEMBLY

## STEP-9



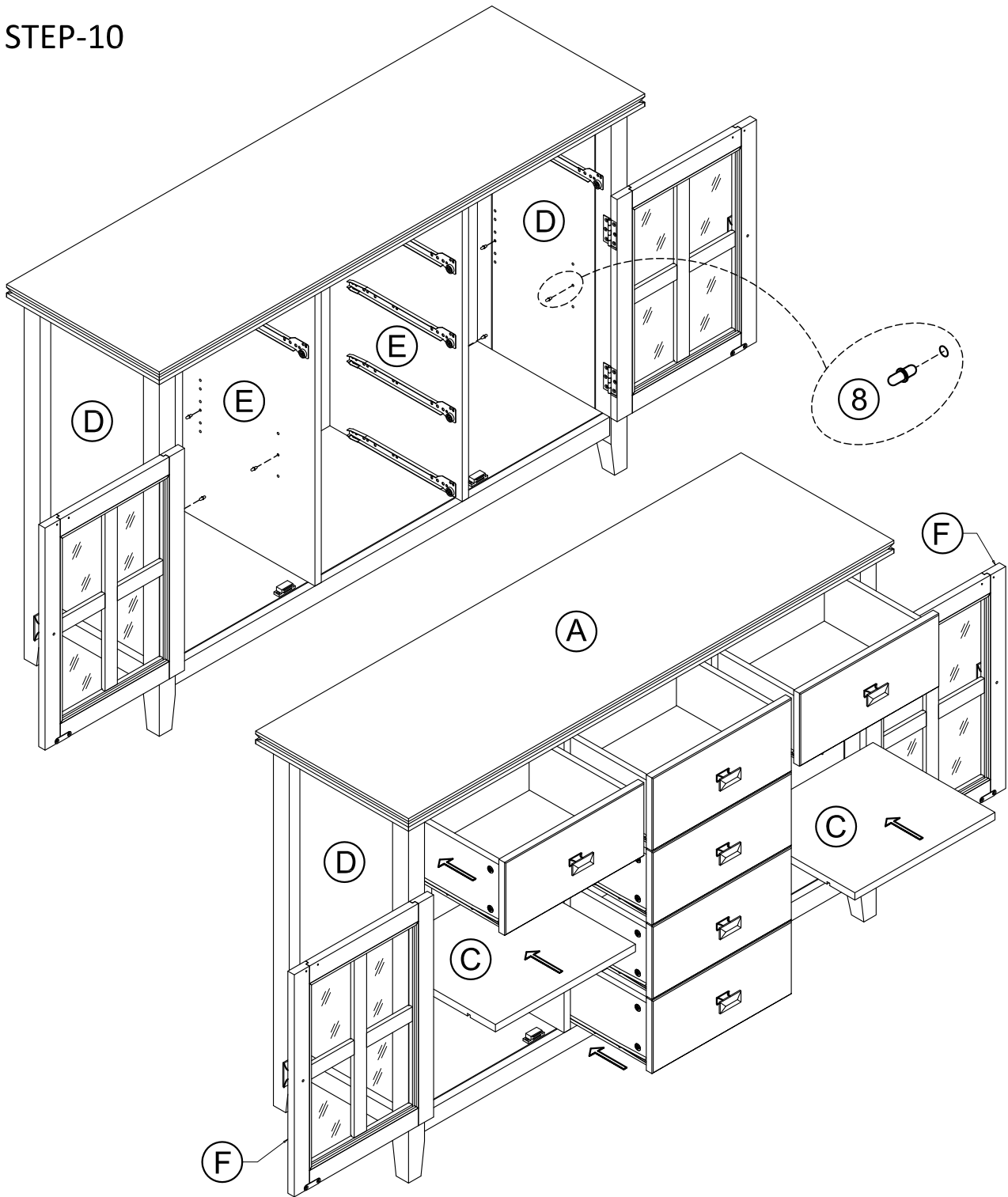
NOTE: The screwdriver is not included in the hardware pack.



1. Attach hinges on Doors (F) to Sides (D) using Phillips Screws (9) into guide holes.
2. Attach Magnet Plates (7) to bottom corner of Door (F) using Phillips Screws (10) into guide holes on Doors (F).
3. Attach Magnet (7) using Phillips Screws (10) into guide holes on Bottom Shelf (B).
4. Use a Phillips screwdriver to attach Handles (4) to Doors (F).

# ASSEMBLY

## STEP-10

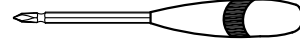


1. Use Shelf Supports (8) for each Shelf (C) in desired location .
2. 2 Shelf Supports (8) may be used on back top of each Shelf (C) as a tipping restraint.
3. Insert assembled drawers into glides on assembled sideboard.

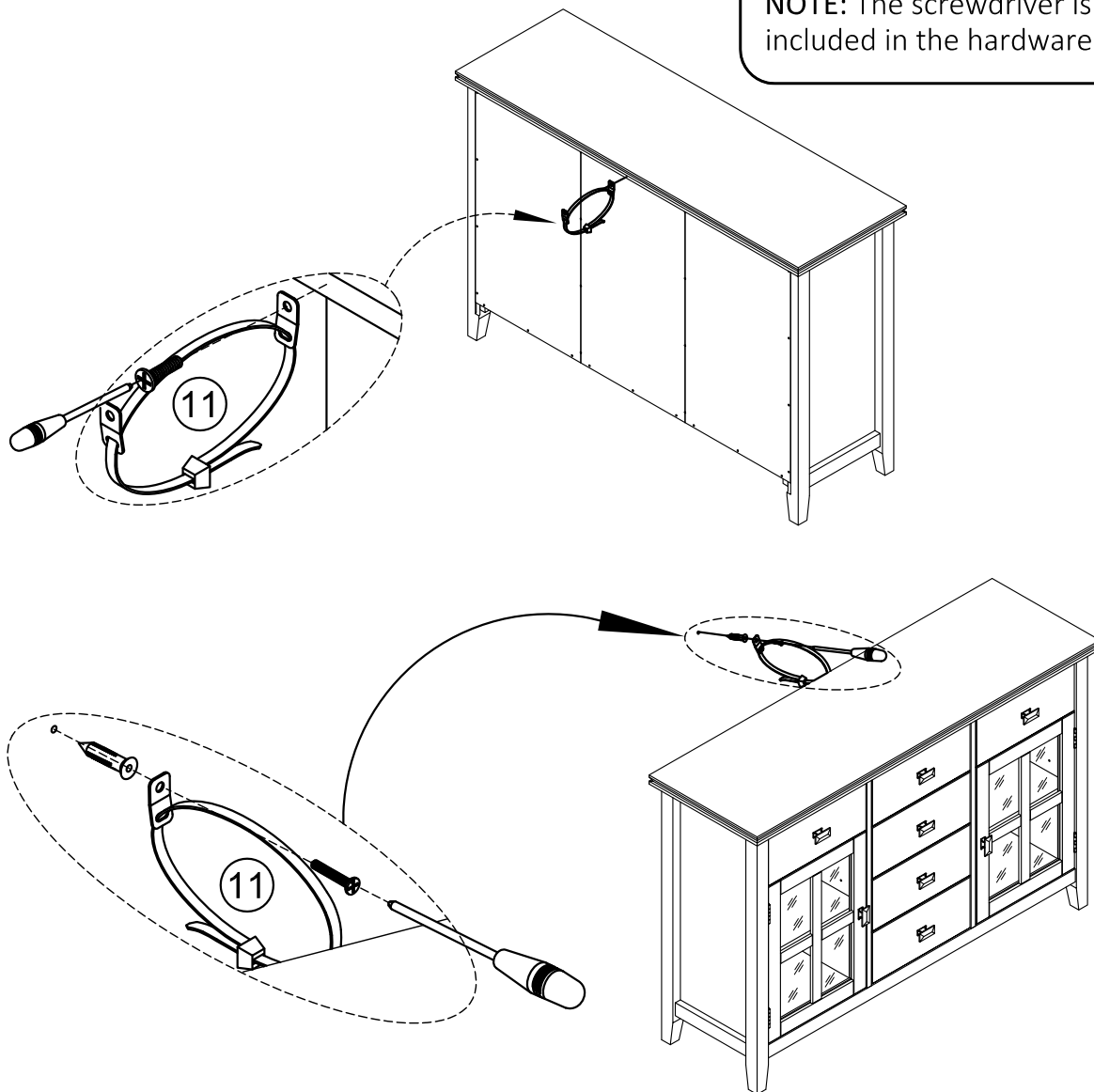
## ASSEMBLY

NOTE: Injuries and damage can occur from furniture tip-over. It is important to use the safety bracket included. If the tipping restraint kit is not in the box, please contact our customer service department in order to obtain another kit before using the furniture.

### STEP-11



NOTE: The screwdriver is not included in the hardware pack.



1. To attach Tipping Restraint (11), follow instructions on Tipping Restraint package.

*When you determined the location for your unit, install the Furniture Tipping restraint. Carefully follow the instructions contained on the package.*

## WARRANTY

Thanks for purchasing our product. These products have been made to demanding, high-quality standards and are guaranteed for domestic use against manufacturing faults for a period of 12 months from the date of purchase. This warranty does not affect your statutory rights.

In case of any malfunction of your product (failure, missing parts, etc.) please contact us at our toll free service line.

We reserve the right to repair or replace the defective product, at its discretion.

This product is guaranteed for 12 months if used for normal purposes. Any warranty is invalid if the product has been overloaded or subject to neglect, improper use or an attempted repair by other than an authorized agent. Heavy-duty or daily professional/commercial usage are not guaranteed.

Due to continuous product improvement, we reserve the right to change the product specifications without prior notice.

**PLEASE NOTE:** This item is hand-crafted and hand-finished with utmost care. As such, variations and imperfections should be expected and should be welcomed as the natural beauty of the wood.