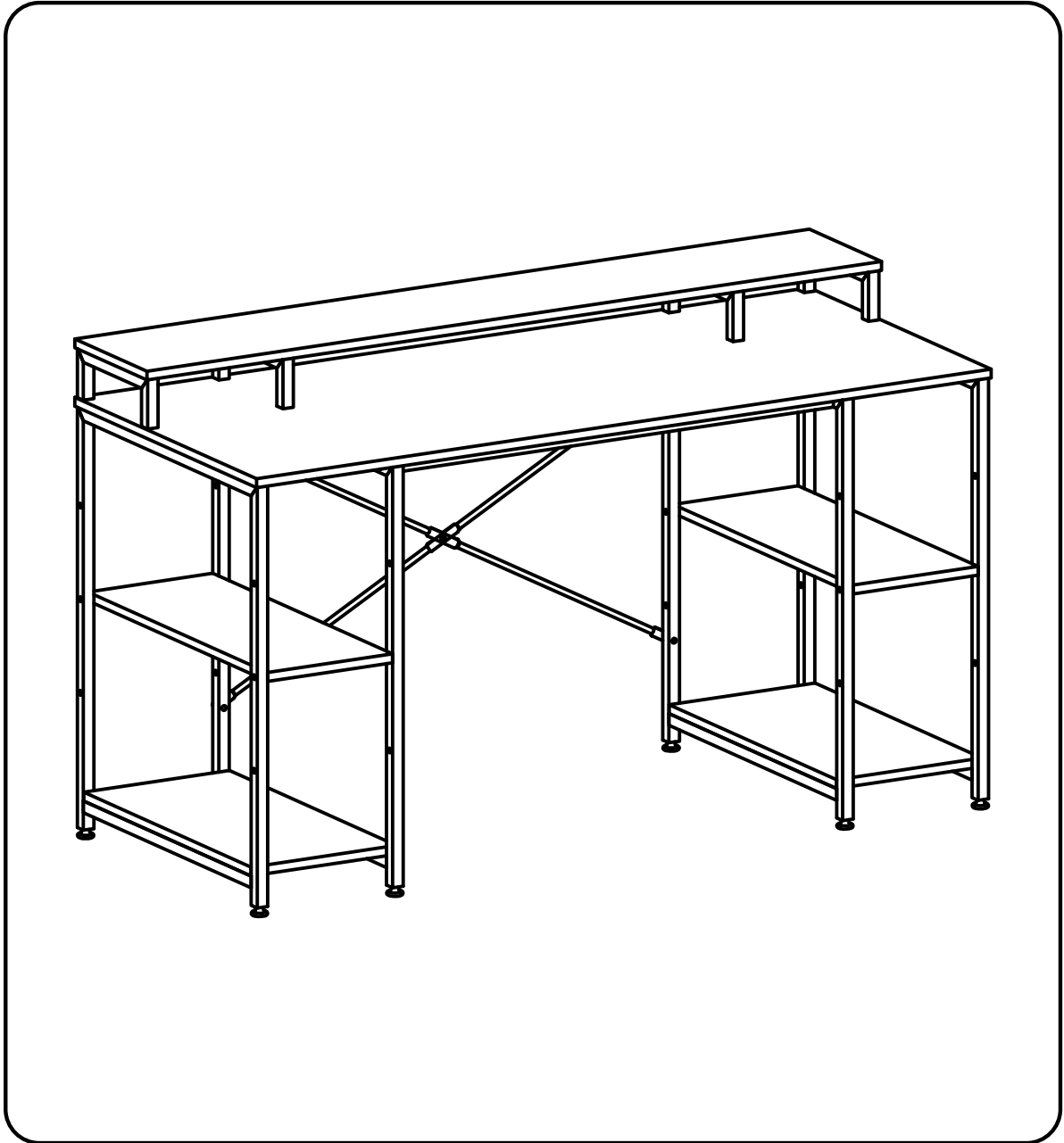


**ASSEMBLY  
INSTRUCTION**



# HELPFUL HINTS

## ! BEFORE YOU START

- Inspect product packaging to ensure the appearance is good.
- Read the assembly instruction carefully and follow it step by step.
- To avoid any scratching, putting a soft blanket on the floor is suggested.
- Identify, sort and count all the parts with tags.
- Find out installation position according to the drawing and install it in correct steps.

## ! OTHER

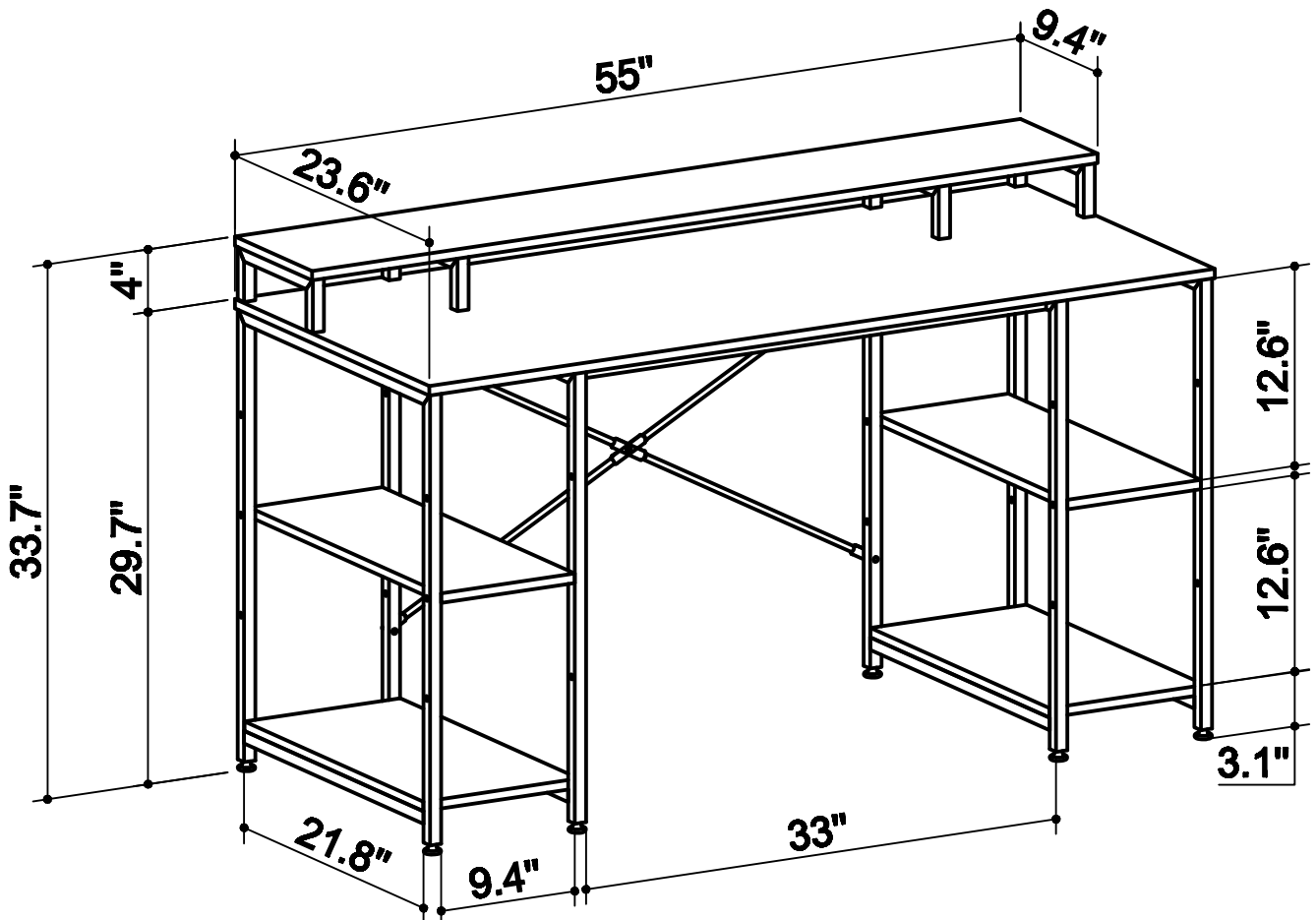
- People needed for assembly: 1-2
- Estimated assembly time: 0.5-1 hour.

## ! CAUTION

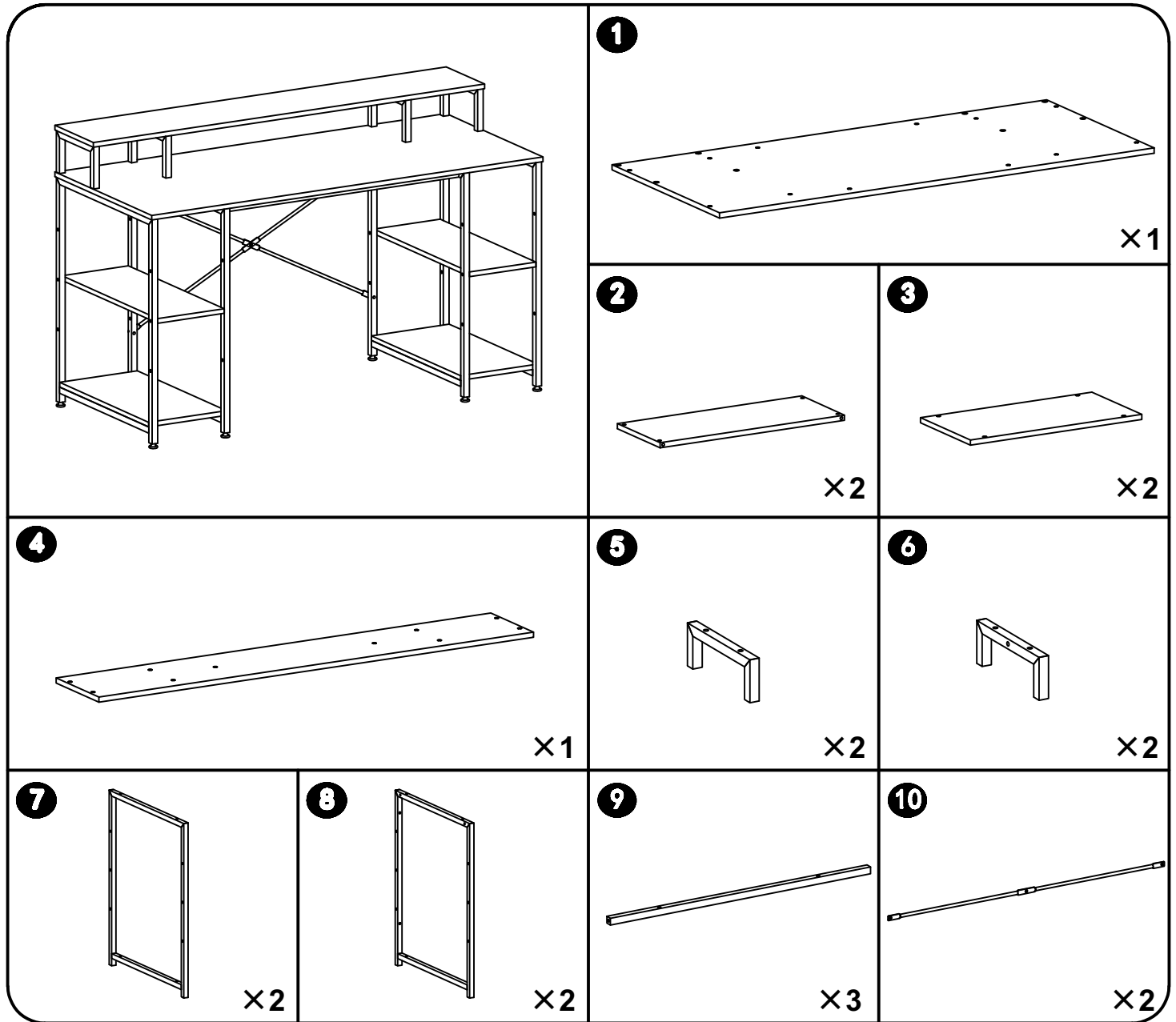
- Be cautious when using a power drill or power screwdriver.
- Please be aware to slow down and stop when screw is nearly tight.
- Do Not use any harsh chemicals or abrasive cleaners for this item.
- Push, pull or drag this item carefully.

# DETAILS

UNIT: INCH



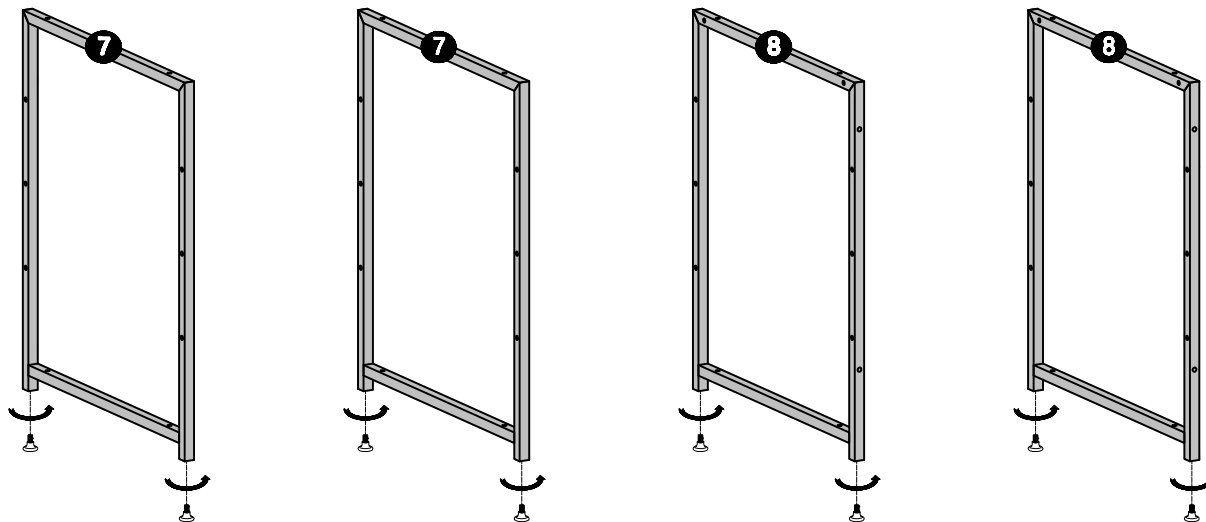
# PARTS LIST



# ACCESSORIES LIST

No.	PICTURE	SIZE	QTY	No.	PICTURE	SIZE	QTY
<b>A</b>		M6x10	1	<b>E</b>		M6	5
<b>B</b>		M6x30	42	<b>F</b>		M8-φ28	8
<b>C</b>		M6x35	6				
<b>D</b>		ST5x50	8				

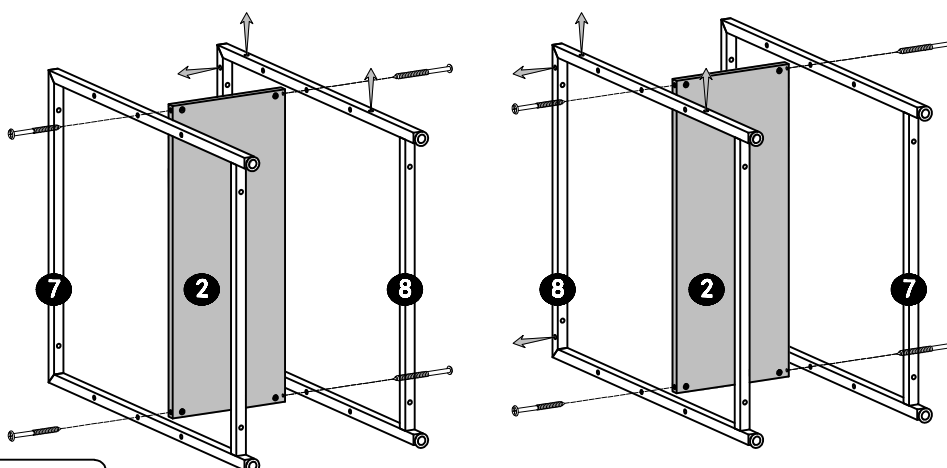
## STEP 1



**F**  M8- $\phi$ 28 8

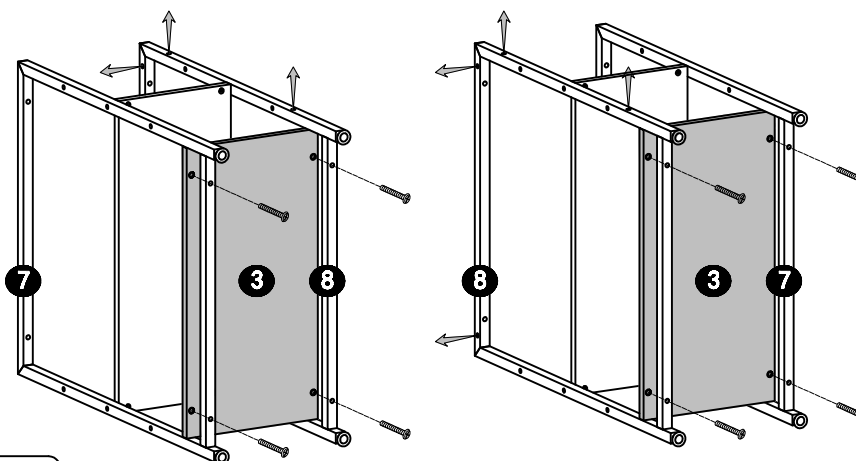
## STEP 2

※ You can install the shelf board in different height to meet your need. Do not tighten the screws before step 9 finished.



**D**  ST5x50 8

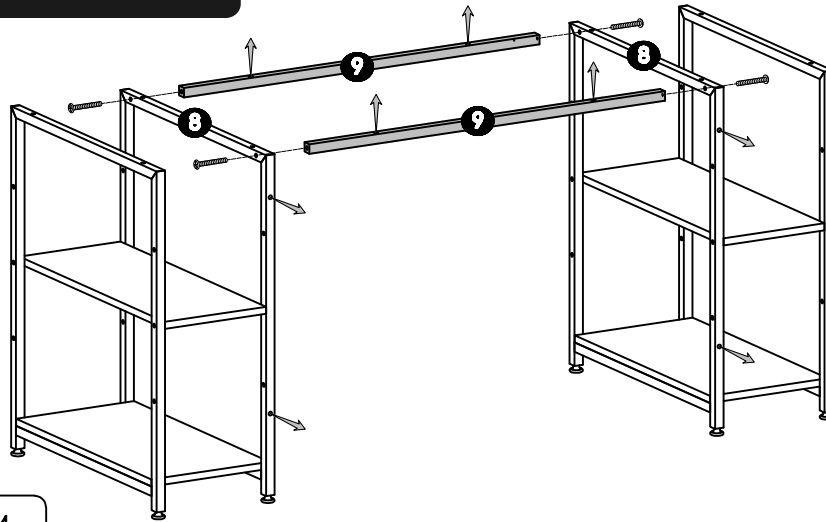
## STEP 3




**B**  M6x30 8

## STEP 4

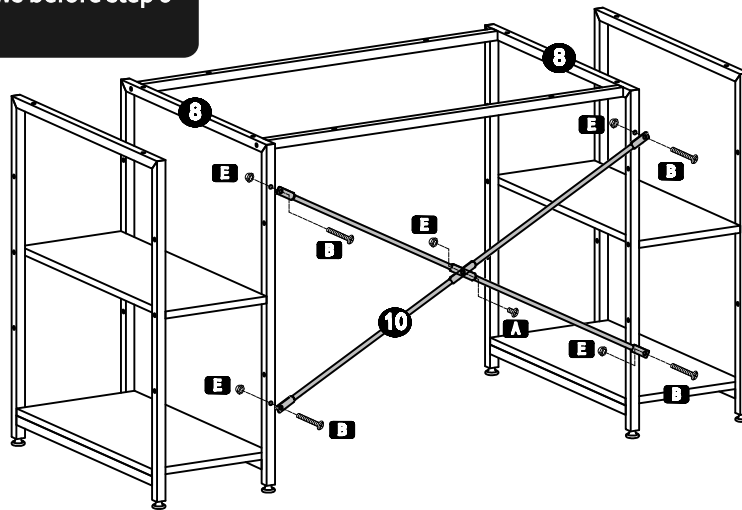
※ Do not tighten the screws before step 9 finished.





**C**  M6x35 4

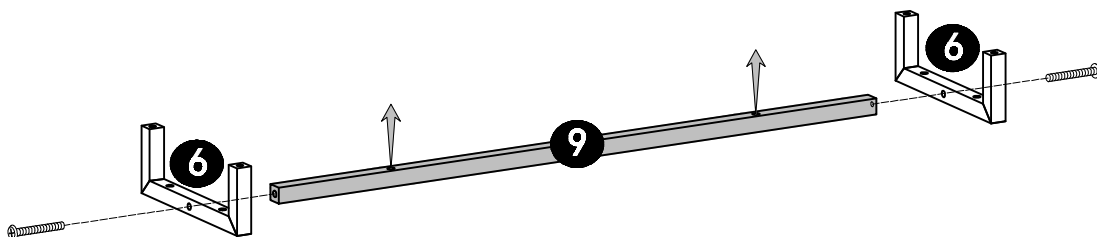
## STEP 5


※ Do not tighten the screws before step 9 finished.



**A**  M6x10 1   **B**  M6x30 4   **E**  M6 5

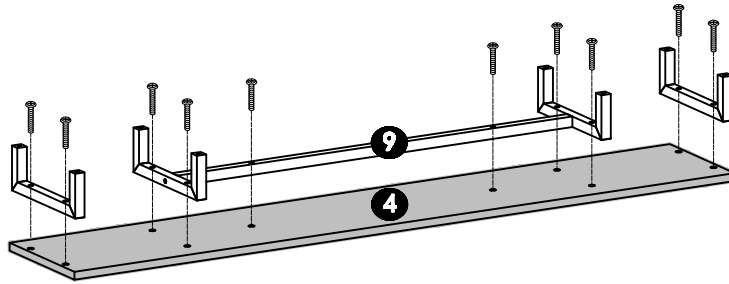
## STEP 6



**C**  M6x35 2

## STEP 7

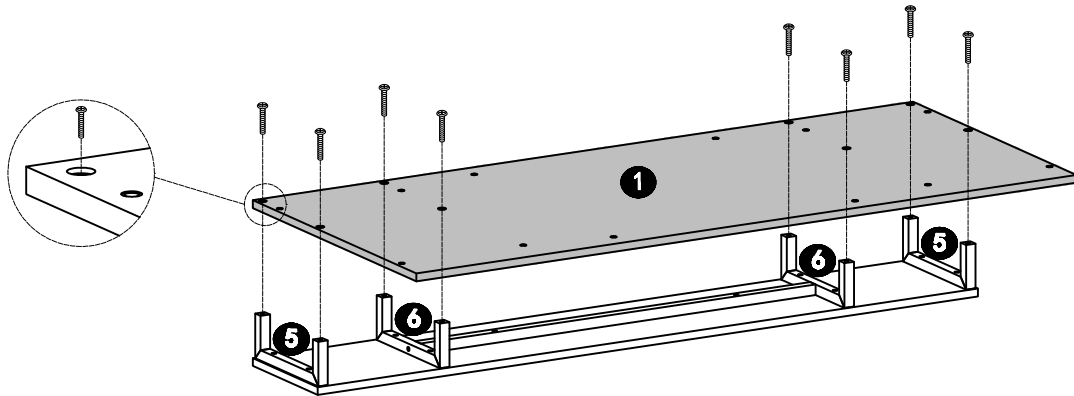
※ Tighten the screws in this step.



**B**  M6x30 10

## STEP 8

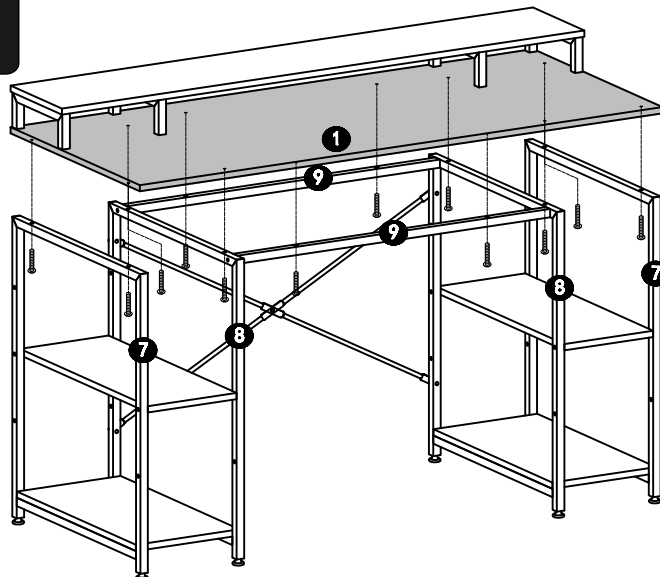
※ Tighten the screws in this step.



**B**  M6x30 8

## STEP 9

※ Tighten all screws in this step when there is not gap.



**B**  M6x30 12