





BMC

SKU# Assembly
Instruction SOFA
TABLE

Thank you for your purchase. Before discarding packaging material be sure you have located all the parts including the necessary hardware and tools listed on the instruction sheet below.

caution: Read before unpacking Assemble parts. "Sharp exposed staple tips can cause injury. For your Protection, please remove any exposed staples used in packaging.

Hardware List

NO	FIGURE	DESCRIPTION	Q' TY
A		ALLEN HEAD BOLT	2
B		FLAT WASHER	2
C		SPRING WASHER	2
D		ALLEN WRENCH	1

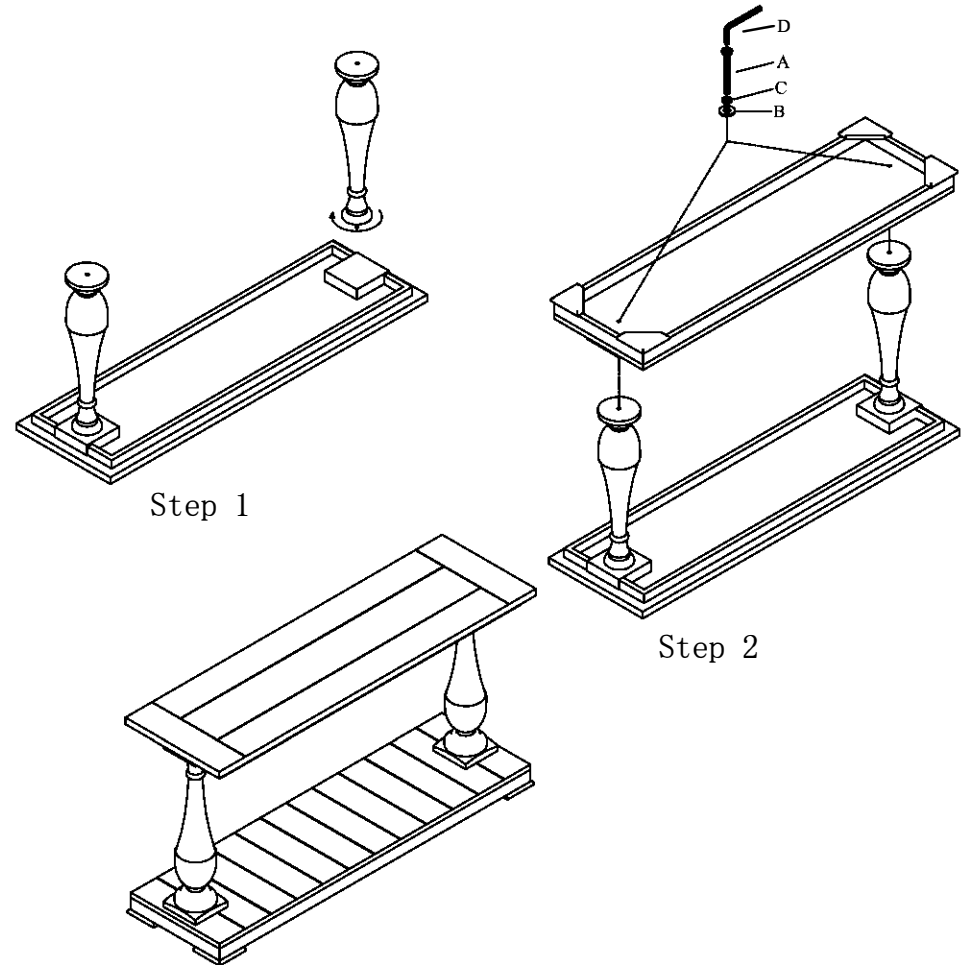
INSTRUCTIONS:

Step 1: Please take out all the parts from the carton box.
Be careful to put the table top upside down on a soft surface.

Step 2: Please assemble the legs bolt with crate rail insert by turning.

Step 3: Please assemble the bottom panel with legs with Allen Head bolt (A), Spring Washer (C), Flat Washer (B) by Allen Wrench (D).

Step 4: Please up right table on the floor before be tighten all bolts.
please see the illustration.



Assemble is completed