



## Medicine Cabinet K-2967

### Features

- Anodized aluminum construction with a durable rust-free and chip-free finish.
- Two adjustable tempered-glass shelves.
- Mirrored door with bronze-finish frame.
- Mirrors on back of door and interior back of cabinet.
- Two-way adjustable hinges with 108-degree opening capability for easy cabinet access.
- Can be installed with left- or right-hand swing.
- Includes mounting hardware for surface or recessed installation.
- Includes side mirror kit for surface mount installation.

### Material

- Anodized aluminum.

### Recommended Products/Accessories

- K-2659 Cabinet Lockbox
- K-2958 Audio Add-on



### Codes/Standards


None Applicable

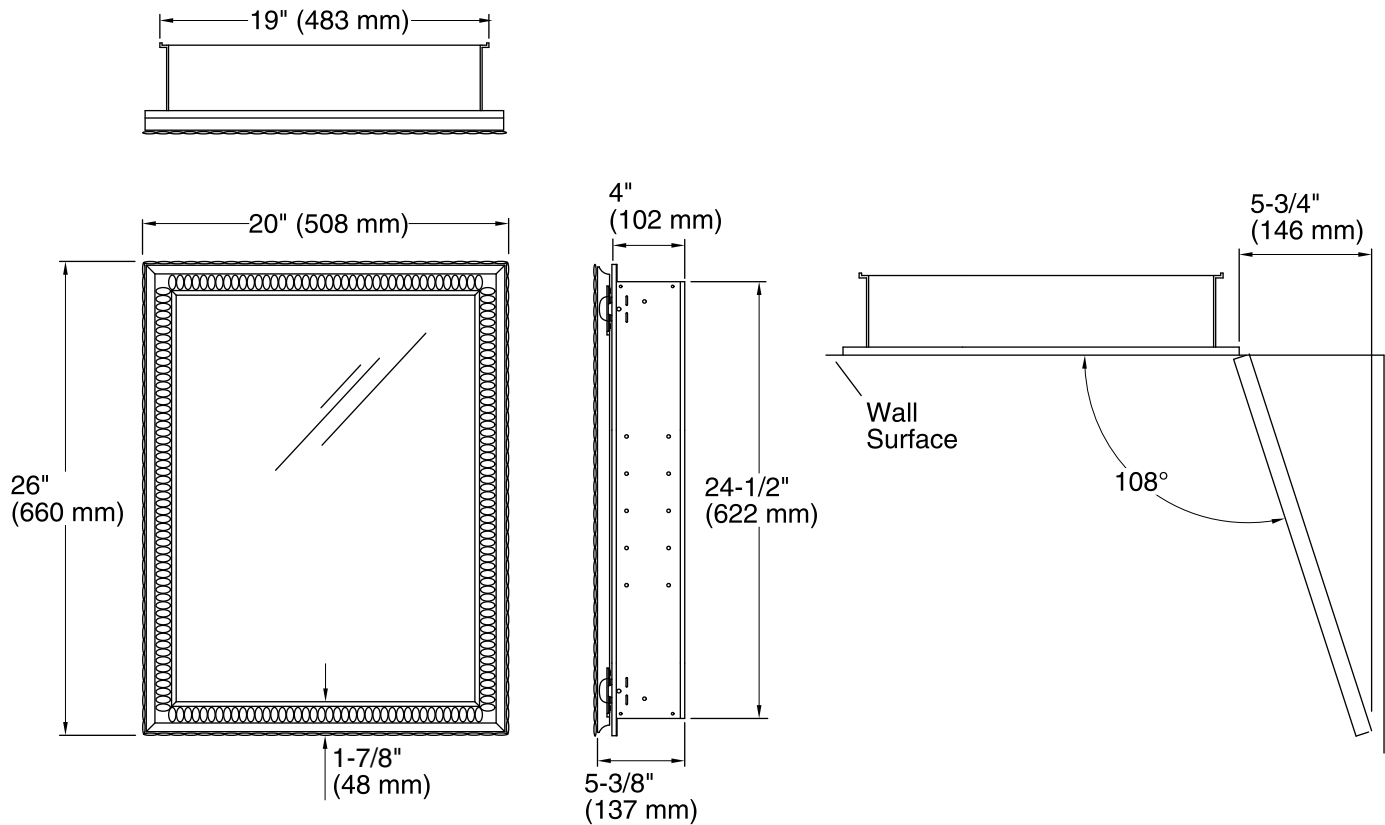
### KOHLER® One-Year Limited Warranty

See website for detailed warranty information.

### Available Colors/Finishes

*Color tiles intended for reference only.*

Color	Code	Description
	BR1	Oil-Rubbed Bronze



## Technical Information

All product dimensions are nominal.

## Notes

Install this product according to the installation guide.

When determining the height of the medicine cabinet, ensure the mirrored door will clear all obstacles (such as a faucet). A minimum distance of 2" (51 mm) is required.

Secure the screws (provided) to a stud to avoid possible property and product damage. If this is not possible, anchors (not provided) must be inserted before installing the screws.

Cutout for recess-mount installation: 19-1/4" (489 mm) width x 25-1/4" (641 mm) height x 3-5/8" (92 mm) depth.