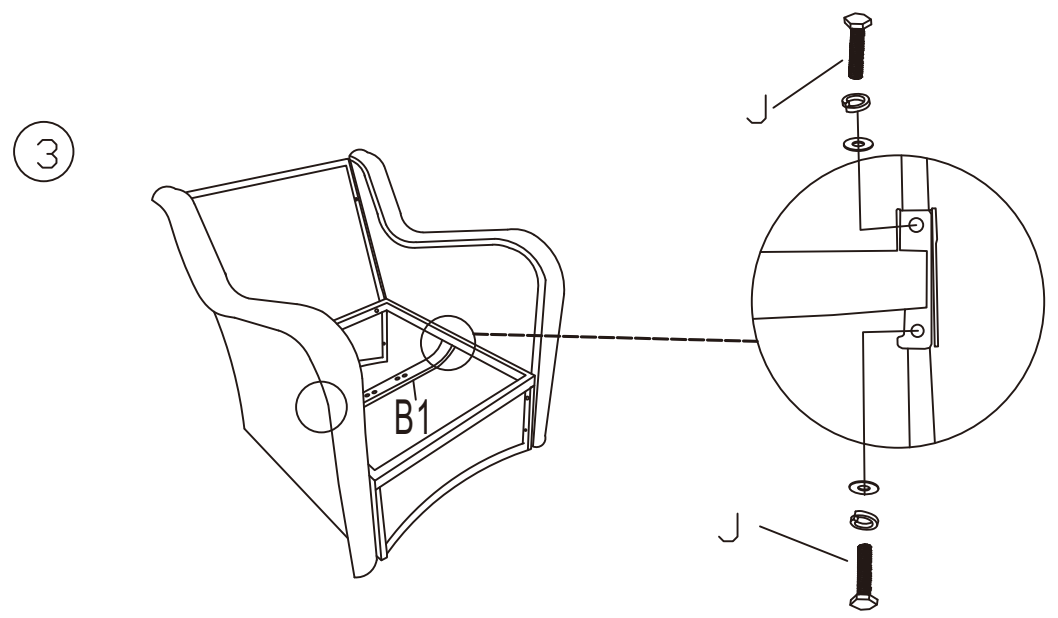
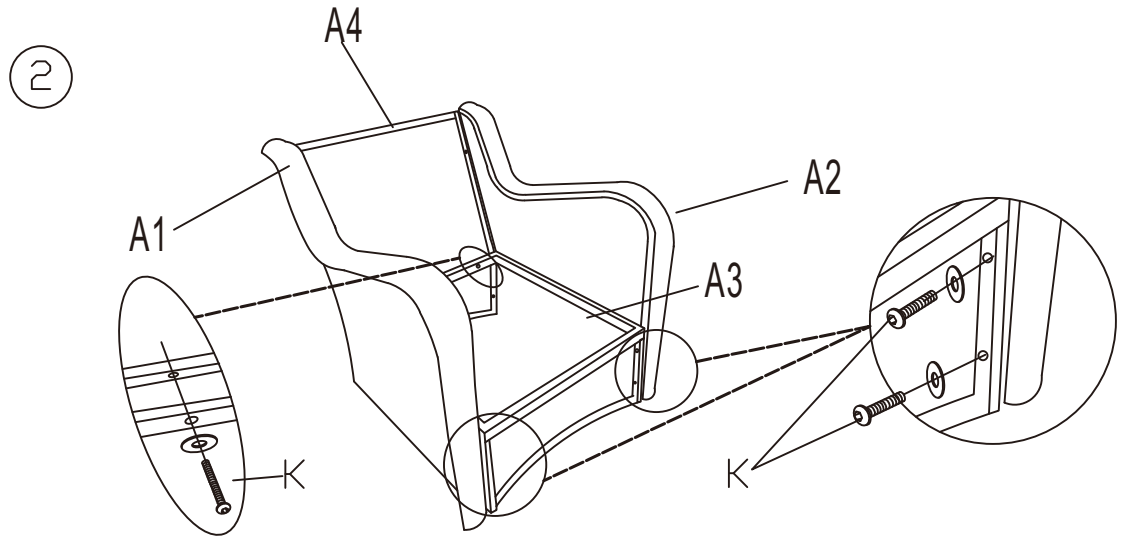
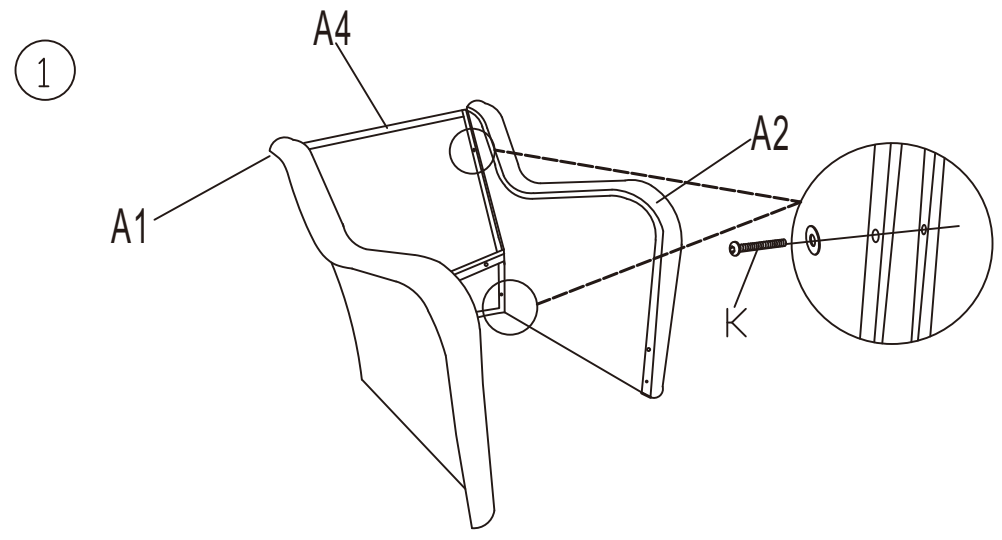


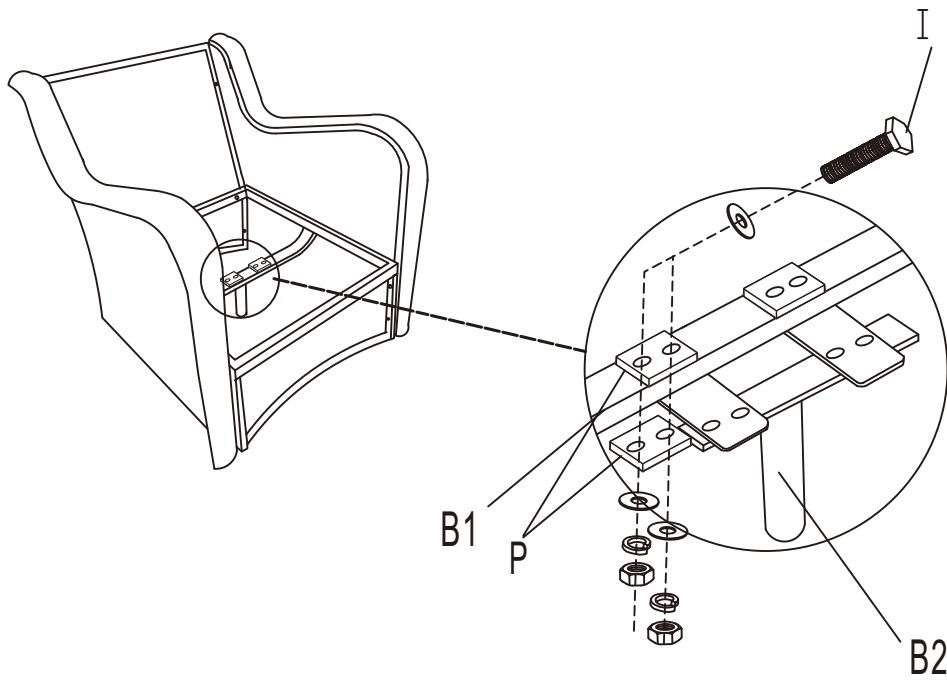
A1		1
A2		1
A3		1
A4		1
B1		1
B2		1
B3		1
I		4
J		4
K		10
L		1
M		1
N		1
Q		2
P		4



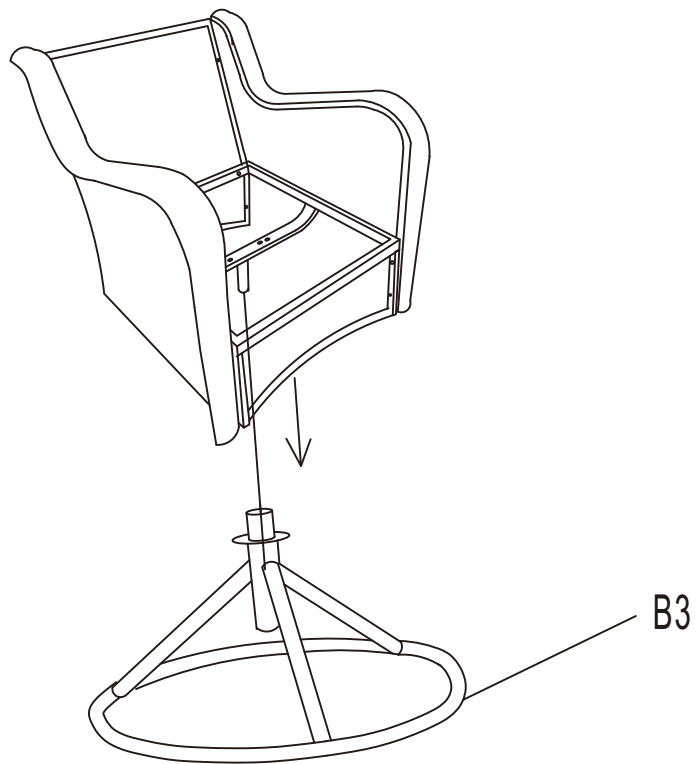
NOTE:
 1. One or more adults are required, PLEASE wearing protective gloves for assembly.
 2. Before assembly we strongly recommend that parts be placed on a soft and flat surface to AVOID damage.
 3. Please first half-tighten all the screws into the holes. After all the screws are set, fully tighten them.



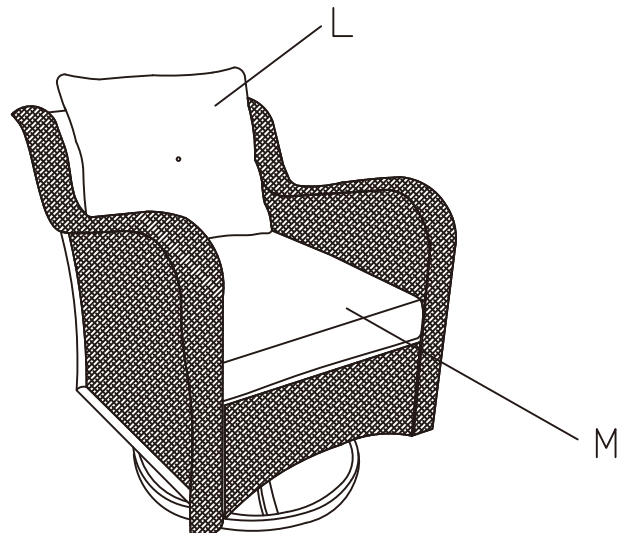
4


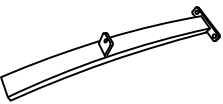


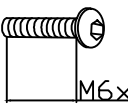



5



6



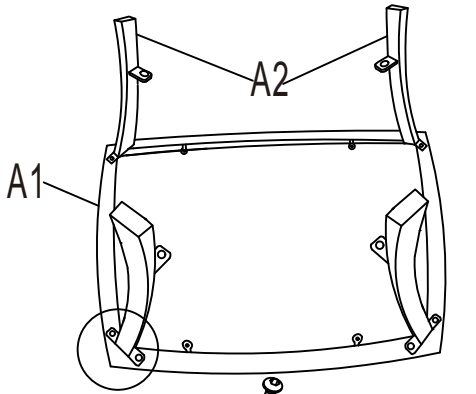
A1		1
A2		4
A3		1
D		1
E		12
F		1



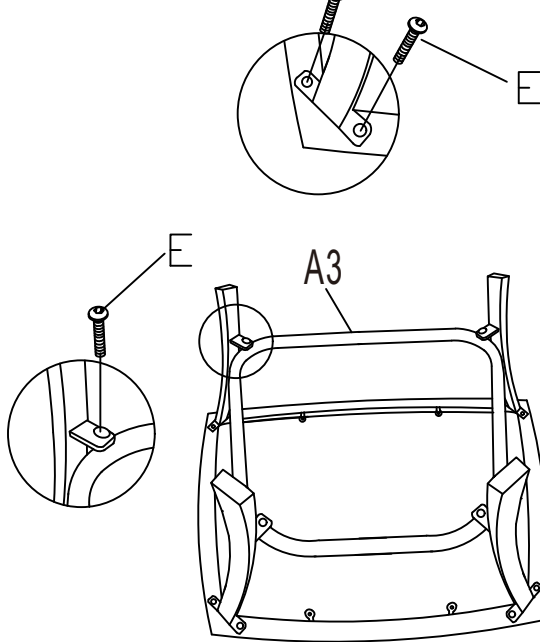
NOTE:

1. One or more adults are required, PLEASE wearing protective gloves for assembly.
2. Before assembly we strongly recommend that parts be placed on a soft and flat surface to AVOID damage.
3. Please first half-tighten all the screws into the holes. After all the screws are set, fully tighten them.

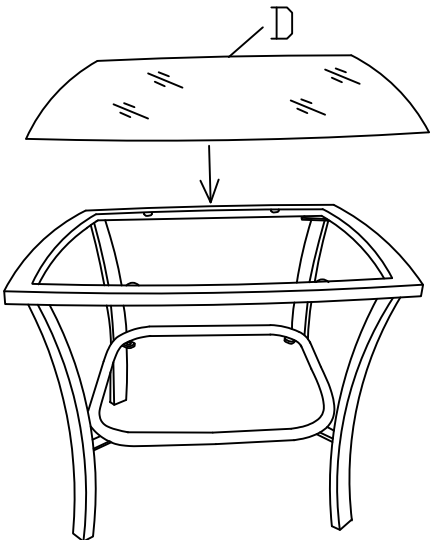
1



2



3



4

