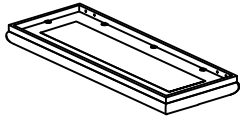


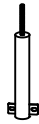
ASSEMBLY INSTRUCTION

BENCH WITH CUSHION

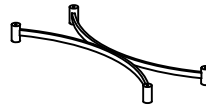
A Seat **B** Leg **C** Stretcher **D** Short Leg



1pc



4pcs



1pc



4pcs

E Bolt
Ø1/4"x5/8"



8pcs

F Lock Washer
Ø10.5xØ7x1.5mm



8pcs

G Flat Washer
Ø16xØ7x1.5mm

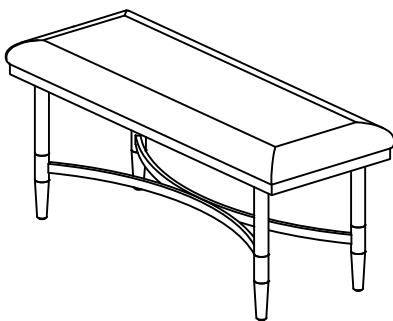


8pcs

H Allen Key
M4

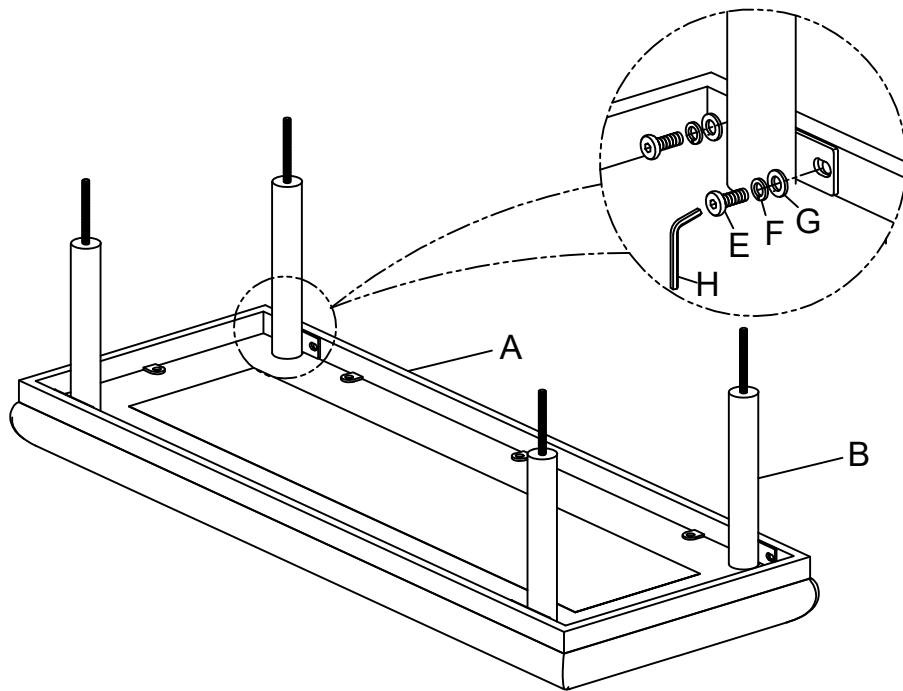


1pc

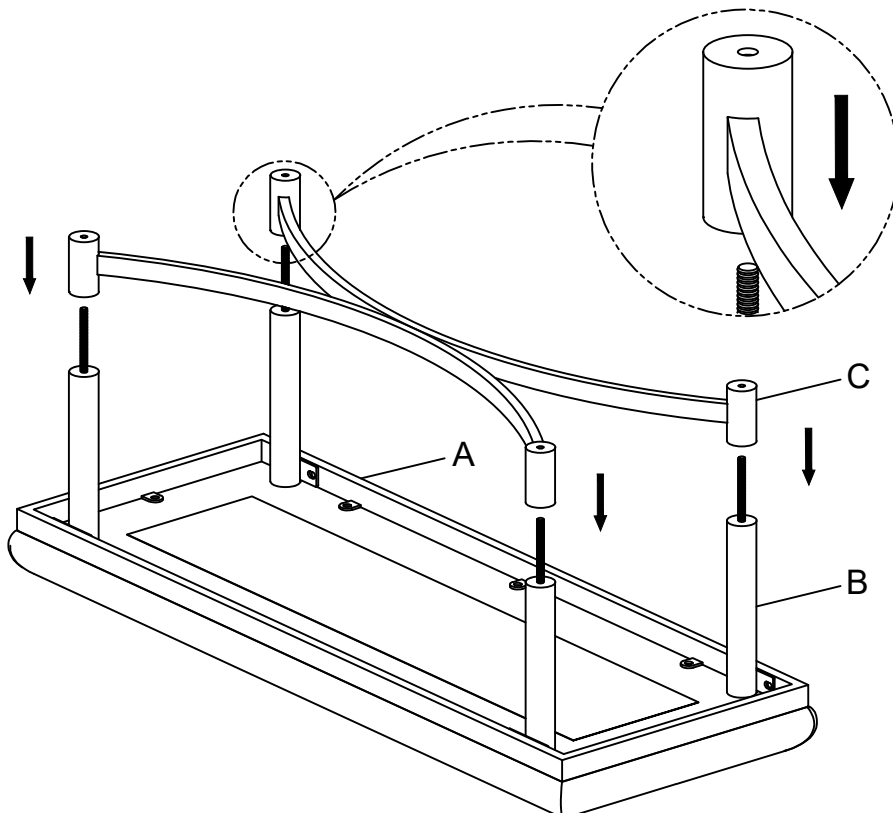


This page lists all the contents included in the box. Please take the time to identify the hardware as well as the individual components to this product. As you unpack and prepare for assembly, place the contents on a carpeted or padded area to protect them from damage.

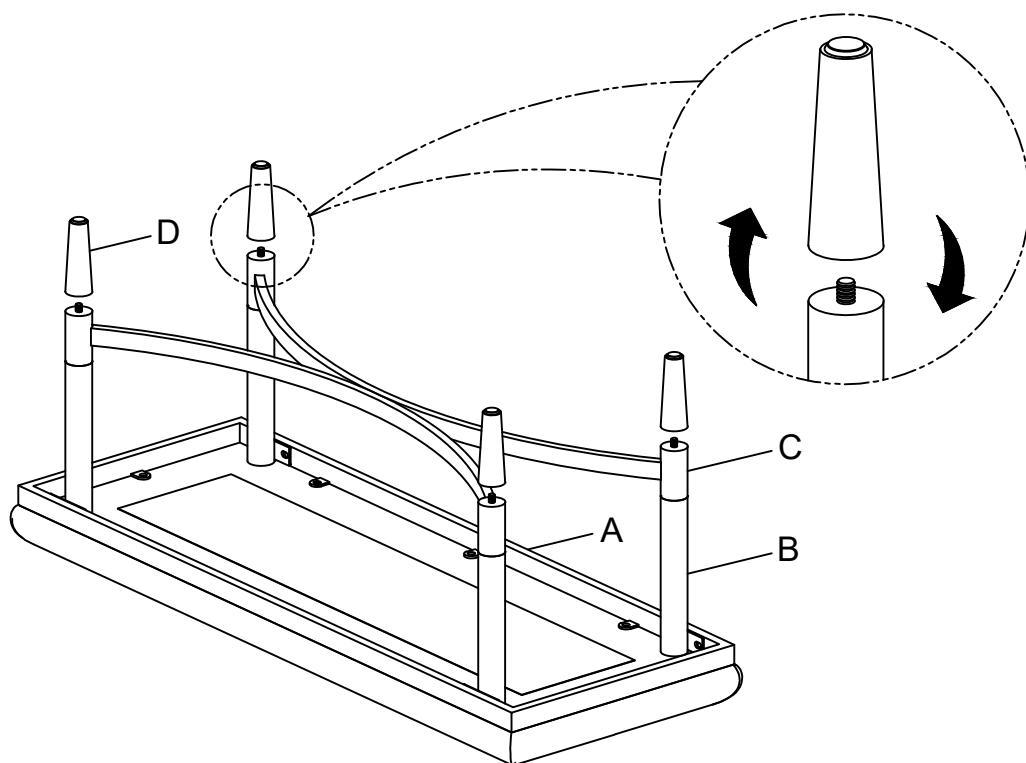
-
- 1** Put Seat (A) on a smooth flat surface and attach the Leg (B) to Seat (A) using Bolt (E), Lock Washer (F), Flat Washer (G) by Allen Key (H).



-
- 2** Attach Stretcher (C) to Leg (B) as picture shown.



3 Attach Short Leg (D) to Leg (B) as picture shown.



Cleaning & Care

Treat surface with care. Surface is resistant to scratches but is not scratch resistant. Clean surfaces with a dry or damp soft cloth. Do not use abrasive cleaners. Hardware may loosen over time. Periodically check that all connections are tight.