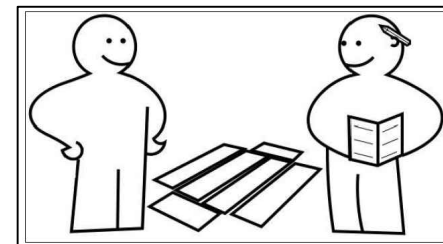
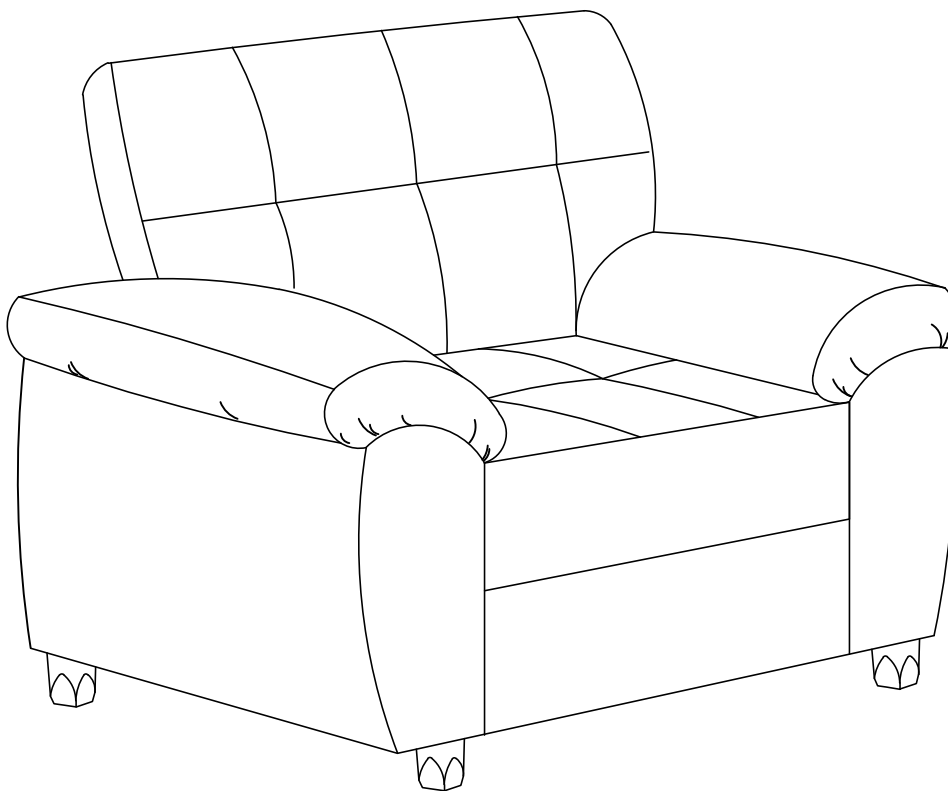
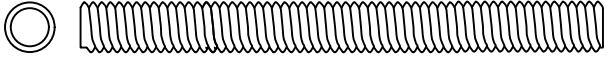

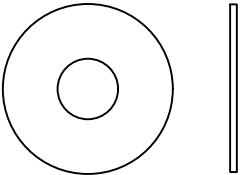
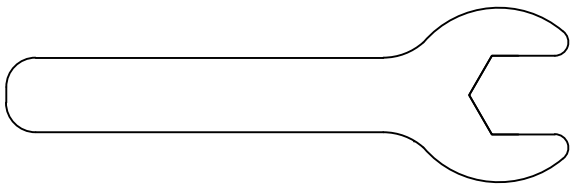
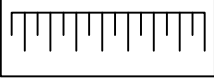
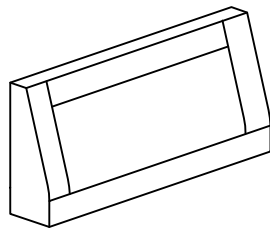
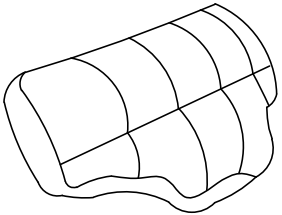
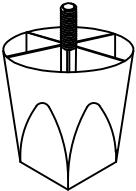
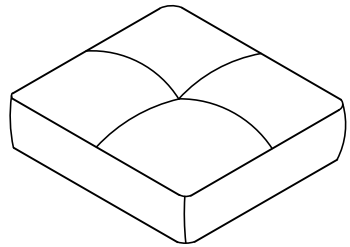
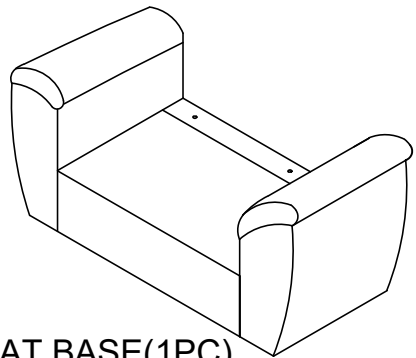


# ASSEMBLY INSTRUCTION



Attention:  
Two people are required for  
assembly and lifting unit.

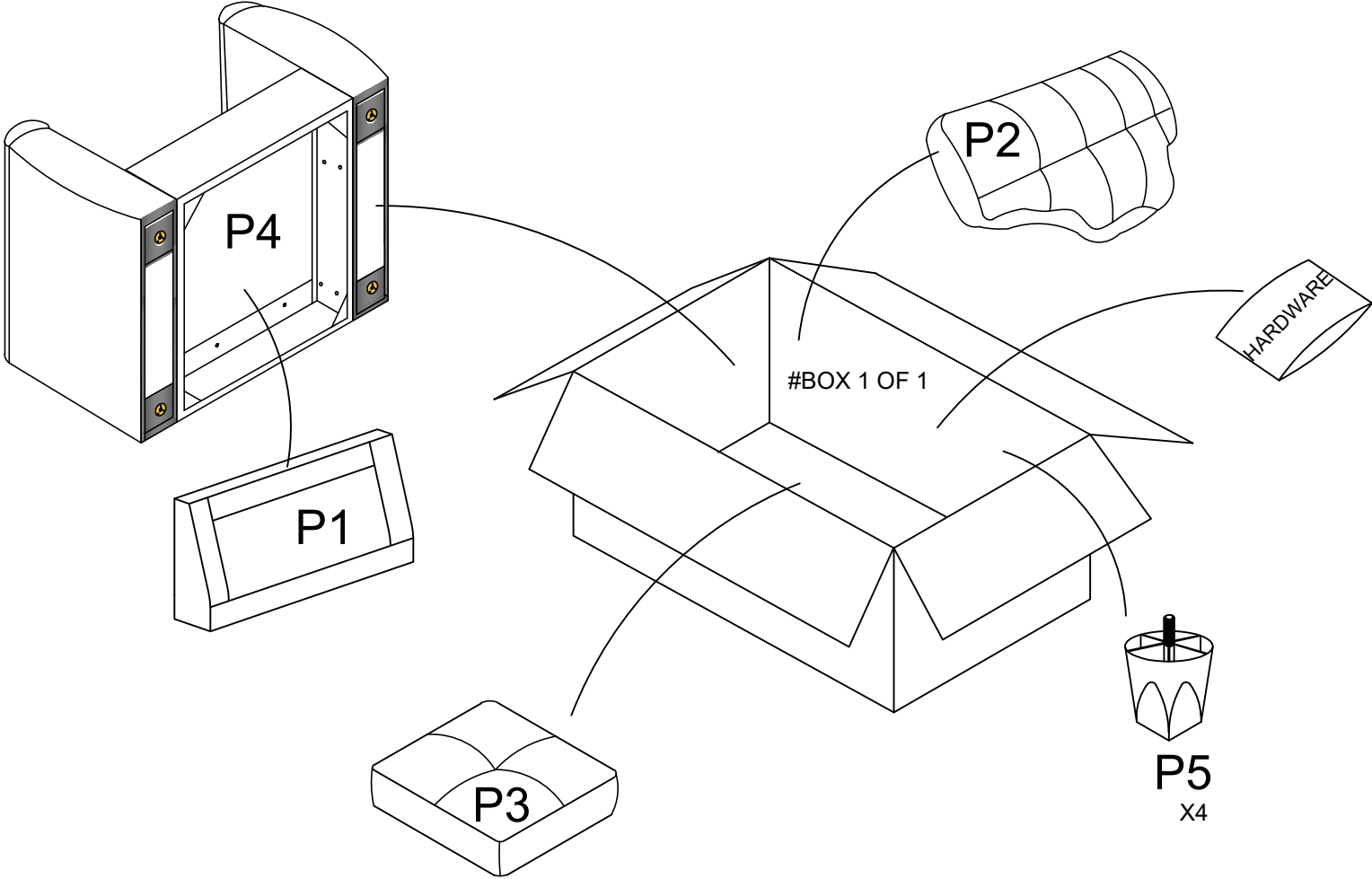
# HARDWARE LIST

					
<p>A</p>	<p>2PCS</p>	<p>B</p>	<p>2PCS</p>	<p>C</p>	<p>2PCS</p>
<p>Threaded Rod 5/16 x 75mm</p>		<p>Nut 5/16 x 12mm</p>		<p>Flat Washer 5/ 16 x 25mm</p>	
		<p>1 : 1</p> 	<p>P1</p>  <p>BACK REST (1PC)</p>	<p>P2</p>  <p>BACK CUSHION (1PC)</p>	
<p>D</p>	<p>1PC</p>		<p>Spanner</p>	<p>P5</p>  <p>PLASTIC LEG (4PCS)</p>	
<p>P3</p>  <p>SEAT CUSHION(1PC)</p>		<p>P4</p>  <p>SEAT BASE(1PC)</p>			

# ASSEMBLY INSTRUCTION

## STEP 1.

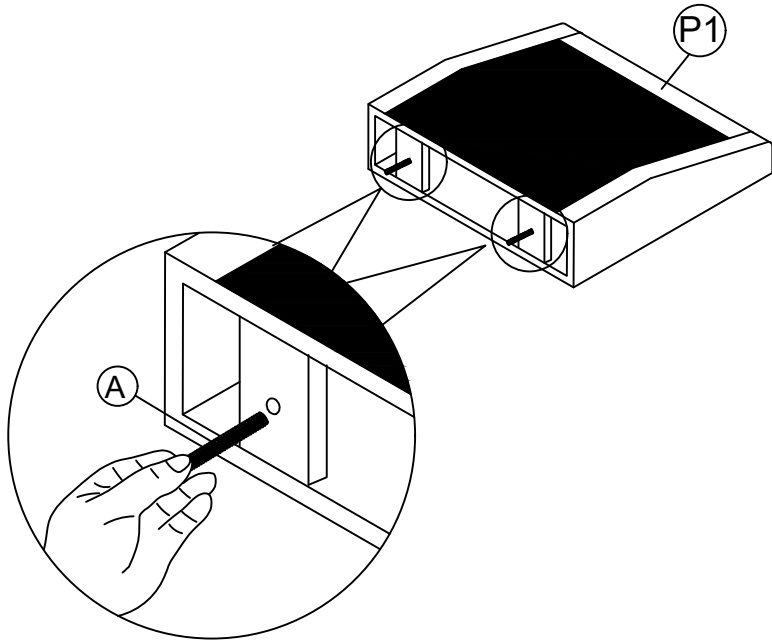
Open the cover cloth located behind the Seat Base (P4) (1pc) and remove all part and hardware.


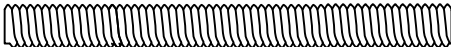


# ASSEMBLY INSTRUCTION

## STEP 2.

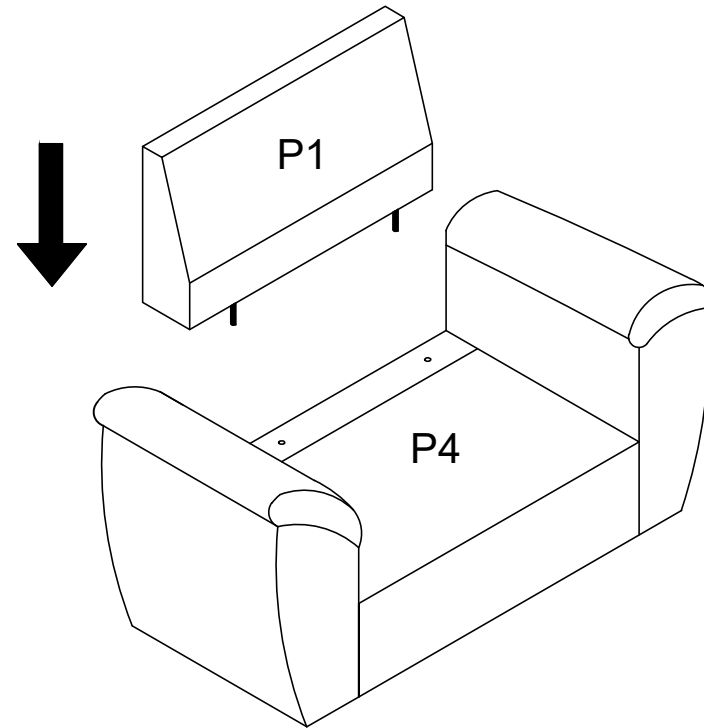
Attached the Threaded Rod (A) (2pcs) to Back Rest (P1)(1pc).



	
A	2PCS
Threaded Rod 5/16 x 75mm	

## STEP 3.

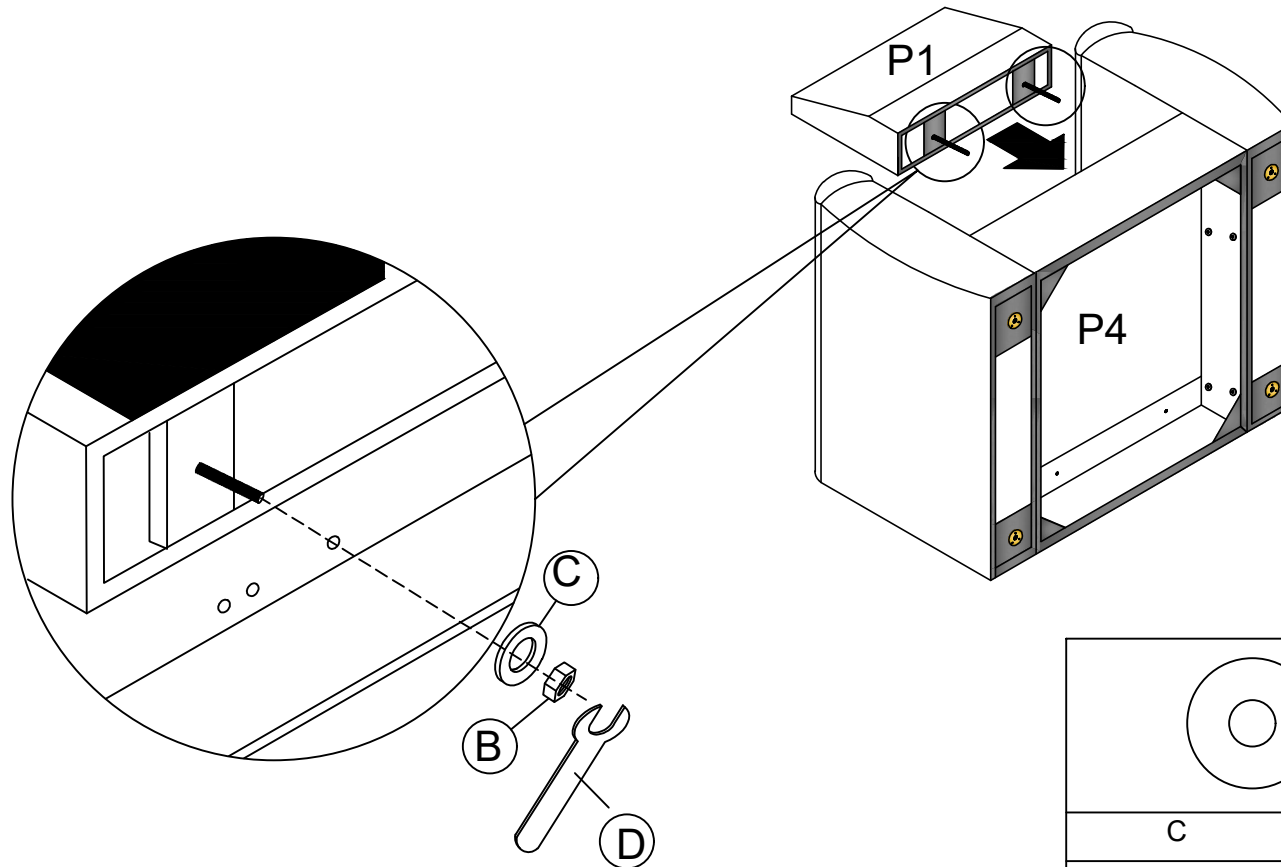
Attached the Back Rest (P1) to the Seat Base (P4)(1pc).



# ASSEMBLY INSTRUCTION

## STEP 5.

Attached the Back Rest (P1) to Seat Base (P4) (1pc).  
Used Flat Washer (C) (2pcs), Nut (B)(2pcs) and Spanner(D) to assemble.  
Make sure the bolts are fully tighten and secure.

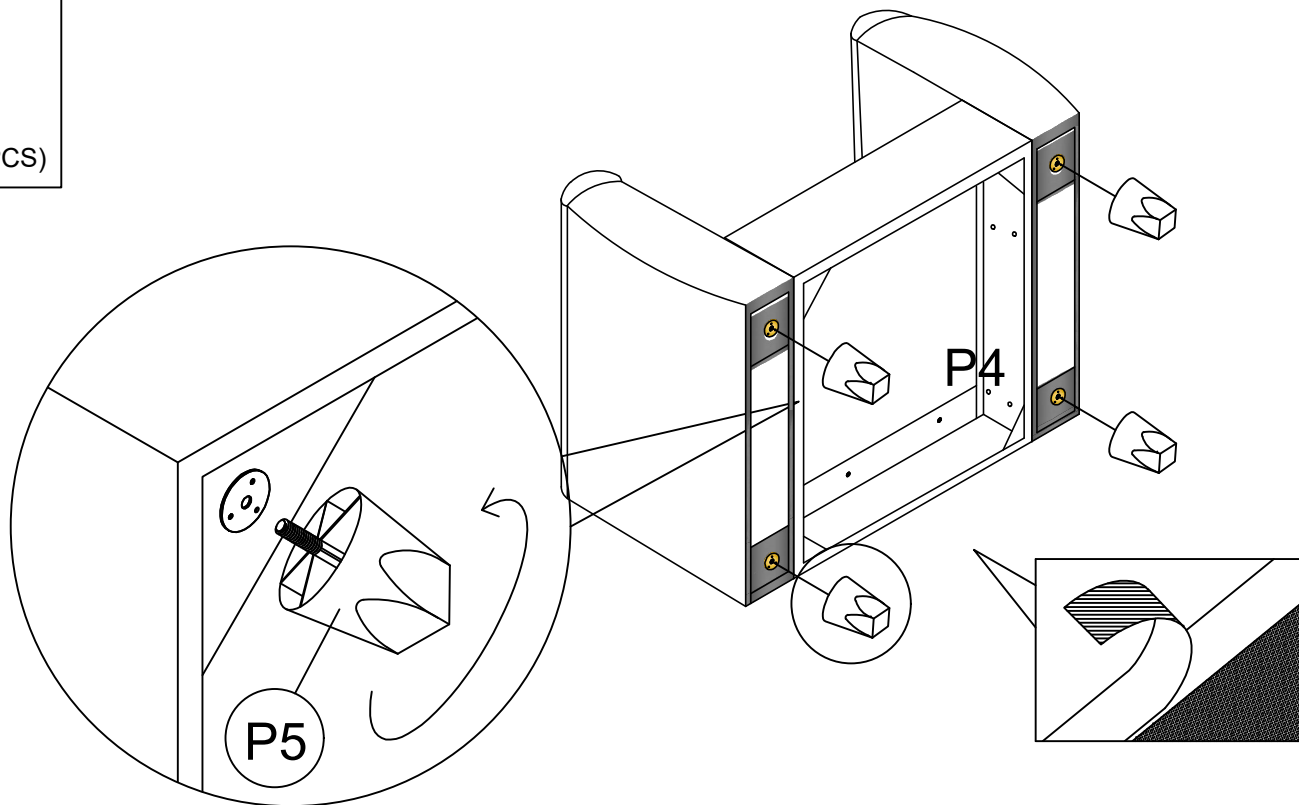
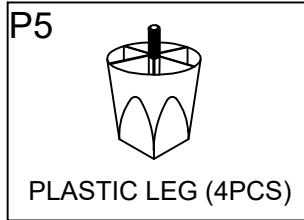


# ASSEMBLY INSTRUCTION

## STEP 6.

Closed cover cloth with velcro.

Attached Plastic Leg (P5) (4pcs) to Seat Base (P4) (1pc). Legs should be tightened.



# ASSEMBLY INSTRUCTION

## STEP 7.

Attach the Cushion Seat (P3) (1pc), Back Cushion (P2) (1pc) to the seat base.

