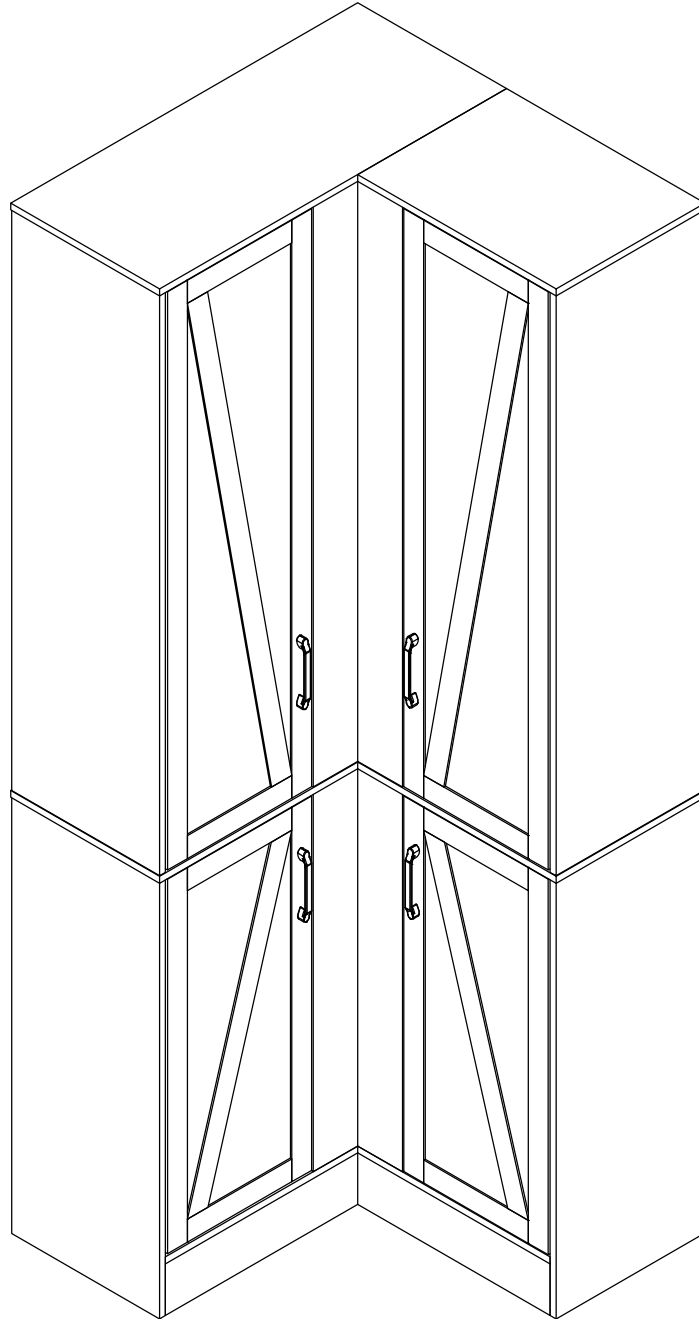


Assembly Instructions



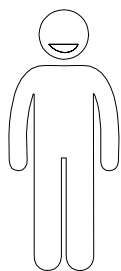
Corner Cabinet



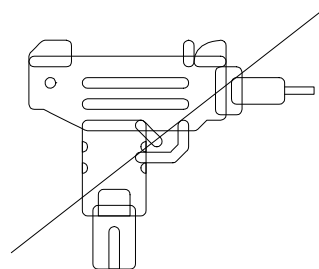
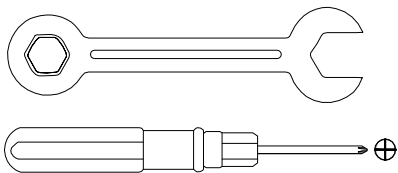
Your satisfaction is our top priority. If you encounter any issues with this product, such as missing or damaged parts, we're here to help. Please retain the original packaging and take photos of the packaging and the product, then contact us as soon as possible.

Warm Tips

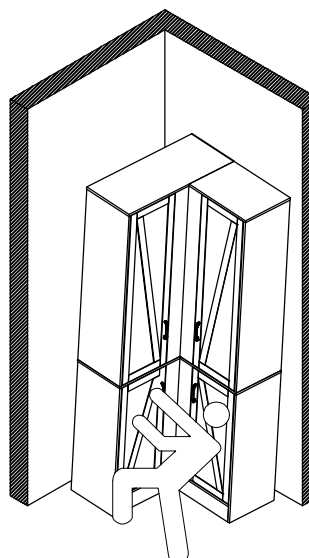
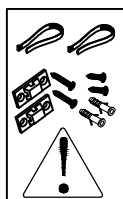
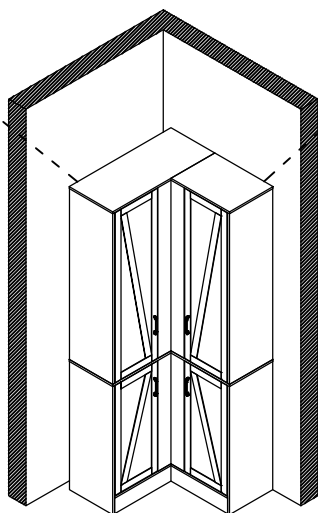
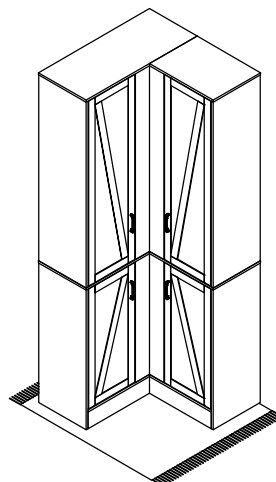
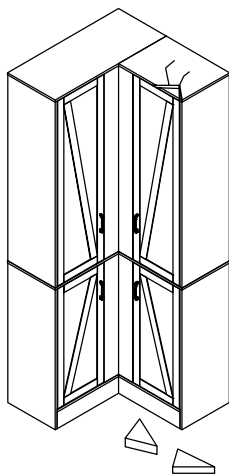
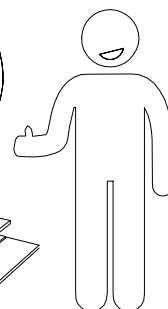
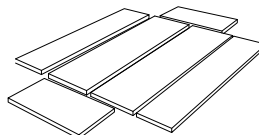
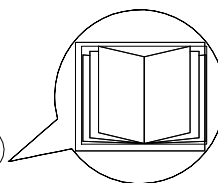
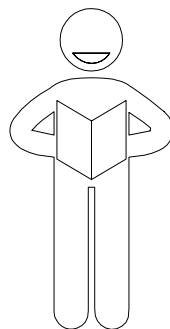
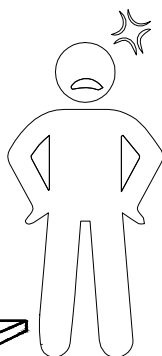
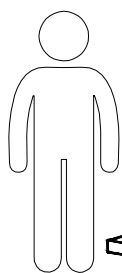
1. Carefully read these instructions and keep them for future reference.
2. Check the parts list and confirm everything's there before starting assembly.
3. When assembling, put all parts on a soft, smooth surface like a carpet to avoid scratches.
4. Don't fully tighten screws until all parts are confirmed in place to avoid misalignment.

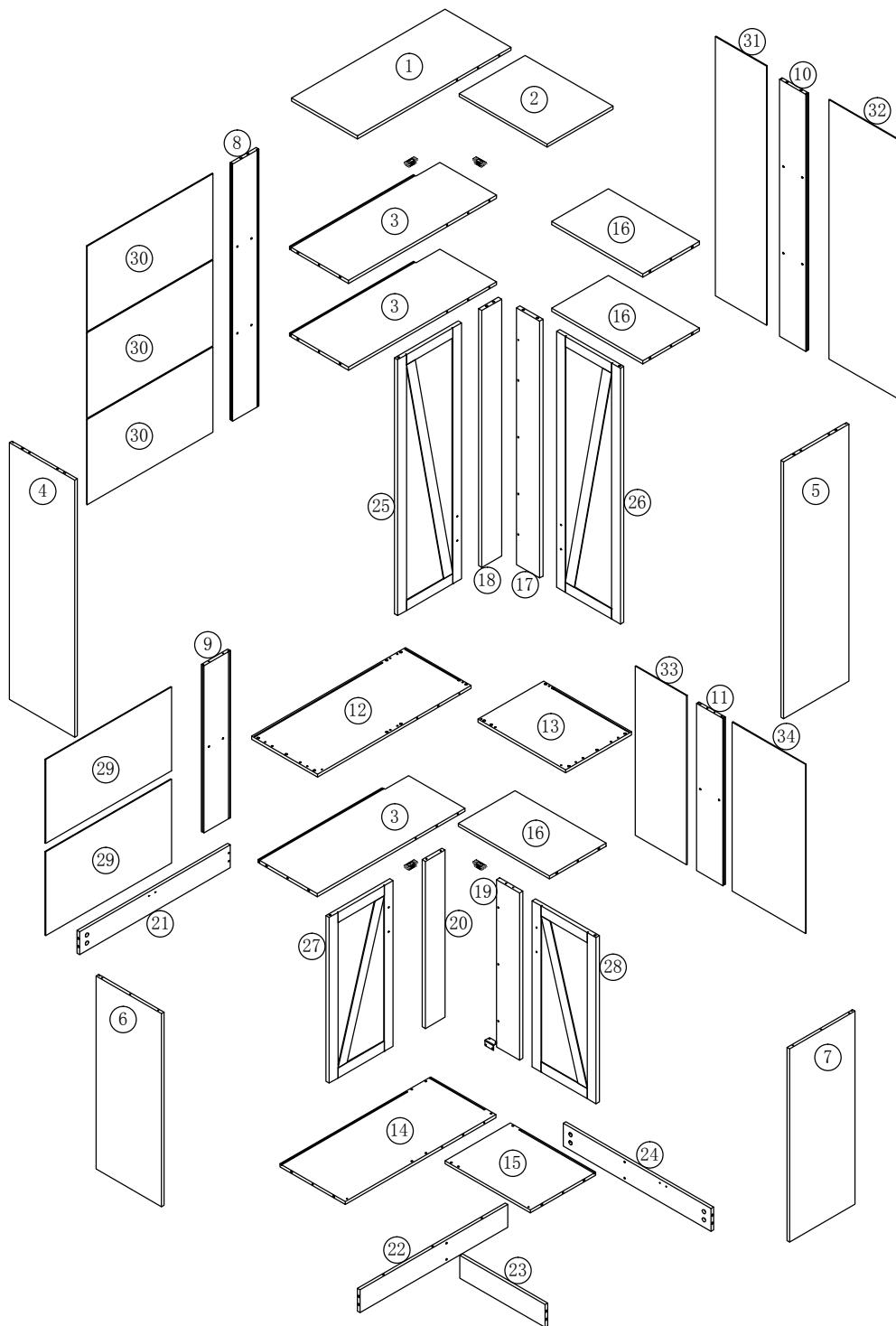



X2



When using the electric screwdriver ,
Reduce the power and torque to avoid damaging the furniture

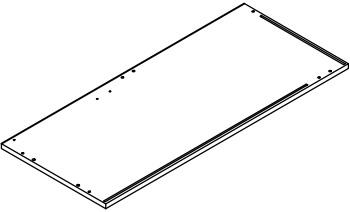
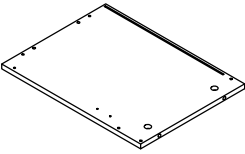
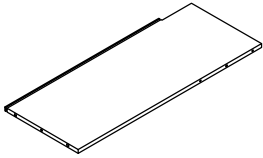

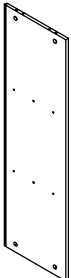
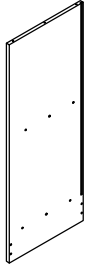





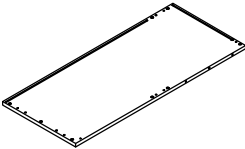
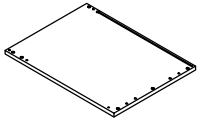
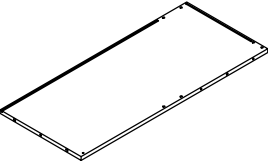
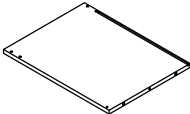
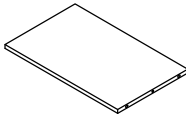








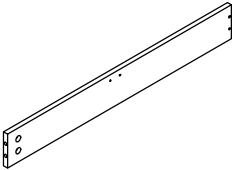
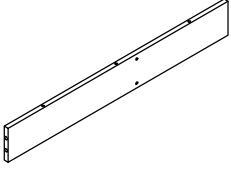
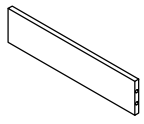
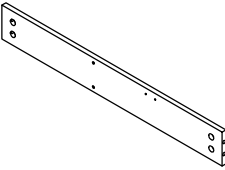
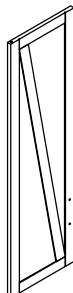

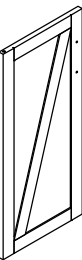
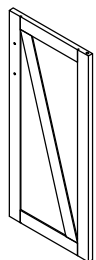
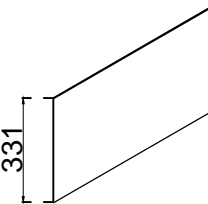
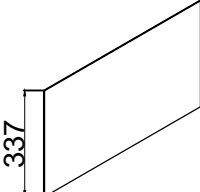

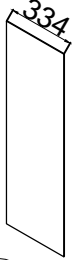

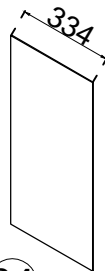
 **Caution**

Make sure all parts are included. Most board parts are labeled or stamped on the raw edge. Contact us for free replacement if having damaged or missing parts.

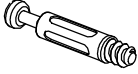

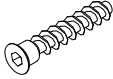
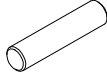



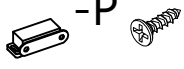


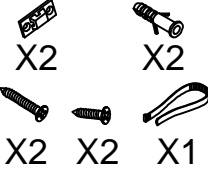

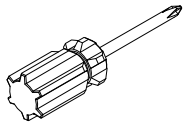
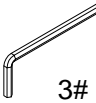
Parts List

 <p>① 1pc</p>	 <p>② 1pc</p>	 <p>③ 3pcs</p>	
 <p>④ 1pc</p>	 <p>⑤ 1pc</p>	 <p>⑥ 1pc</p>	
 <p>⑦ 1pc</p>	 <p>⑧ 1pc</p>	 <p>⑨ 1pc</p>	
 <p>⑩ 1pc</p>	 <p>⑪ 1pc</p>	 <p>⑫ 1pc</p>	 <p>⑬ 1pc</p>
 <p>⑭ 1pc</p>	 <p>⑮ 1pc</p>	 <p>⑯ 3pcs</p>	 <p>⑰ 1pc</p>

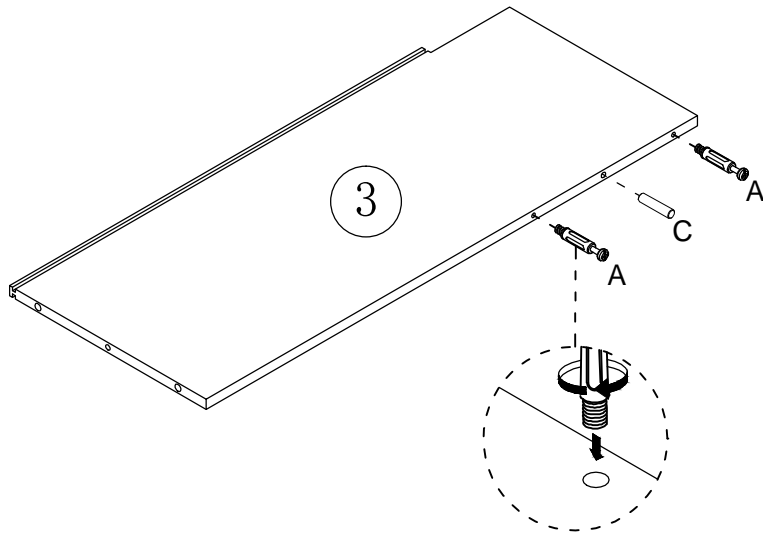
Parts List

 <p>⑱ 1pc</p>	 <p>⑲ 1pc</p>	 <p>⑳ 1pc</p>	
 <p>㉑ 1pc</p>	 <p>㉒ 1pc</p>	 <p>㉓ 1pc</p>	
 <p>㉔ 1pc</p>	 <p>㉕ 1pc</p>	 <p>㉖ 1pc</p>	
 <p>㉗ 1pc</p>	 <p>㉘ 1pc</p>	 <p>㉙ 2pcs</p>	 <p>㉚ 3pcs</p>
 <p>㉛ 1pc</p>	 <p>㉜ 1pc</p>	 <p>㉝ 1pc</p>	 <p>㉞ 1pc</p>

Hardware List

<p>ST6 x 40mm</p>  <p> 9.5</p> <p>A 68+4pcs</p>	<p>ST5 x 40mm</p>  <p>B 40+3pcs</p>	<p>Ø6 x 35mm</p>  <p>C 29+2pcs</p>	<p>ST3.5 x 12mm</p>  <p>D 12+1pcs</p>	<p>Ø7-Ø4</p>  <p>E 8pcs</p>
 <p>F 3pcs</p>	<p>ST3 x 14mm</p>  <p>-P X1 X4</p> <p>G 4pcs</p>	<p>ST3.5 x 14mm</p>  <p>H 40pcs</p>	<p>4*18mm</p>  <p>X1 X2</p> <p>I 4pcs</p>	 <p>X2 X2 X2 X2 X1</p> <p>J 2pcs</p>
	 68 1pc	 1pc	 3# 1pc	

1



ST6X40 Ø6X35

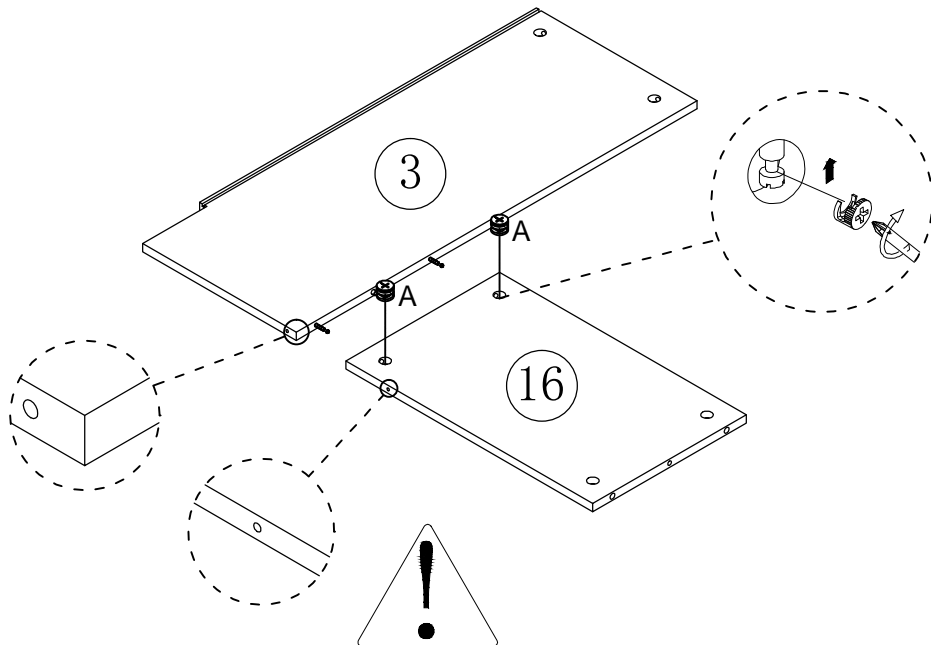


A
6pcs

C
3pcs

X3

2



▽ 9.5

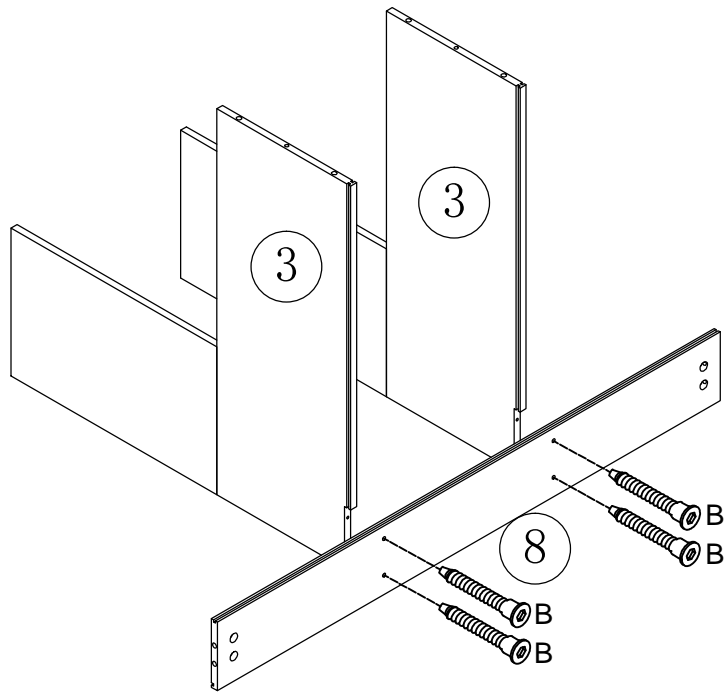
Pay attention to the orientation of the holes



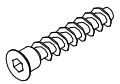
A
6pcs

X3

3

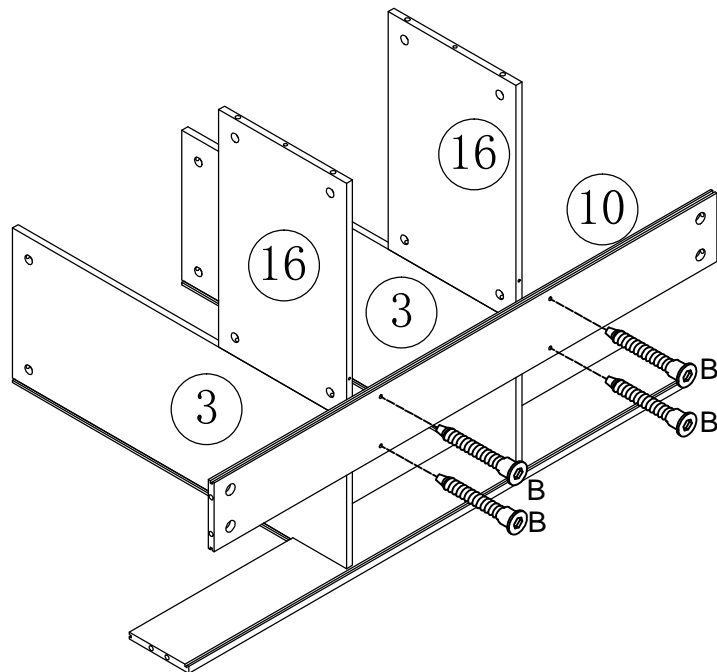


ST5X40



B
4pcs

4

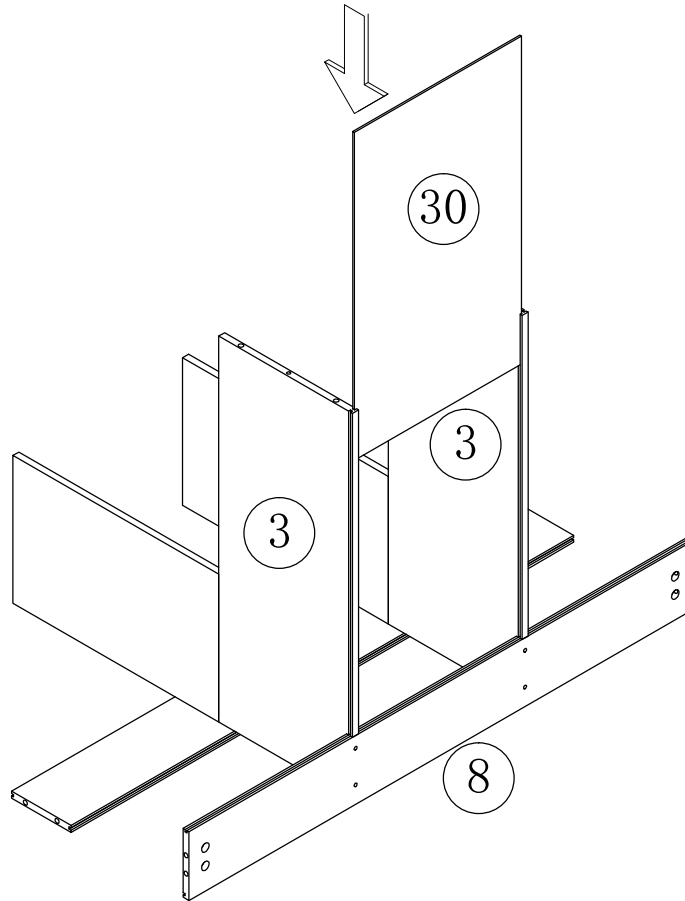


ST5X40

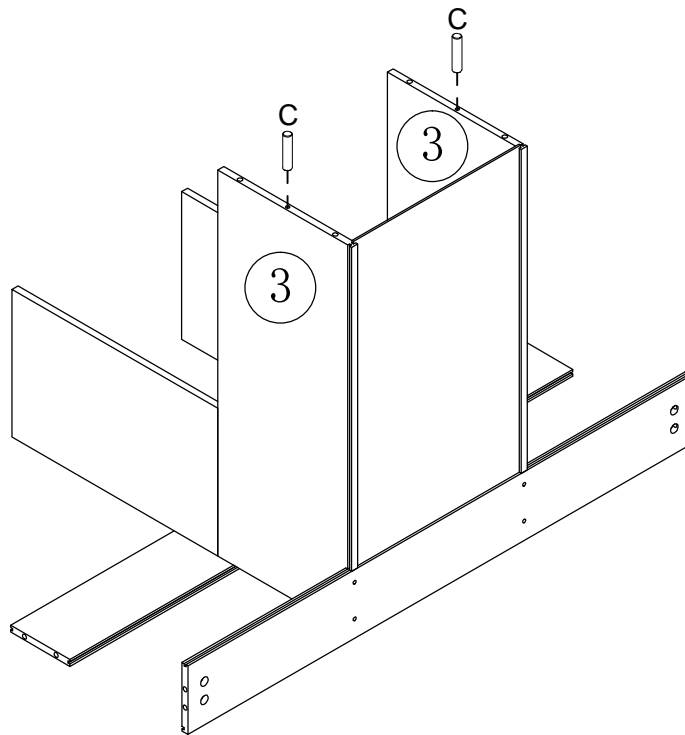


B
4pcs

5



6

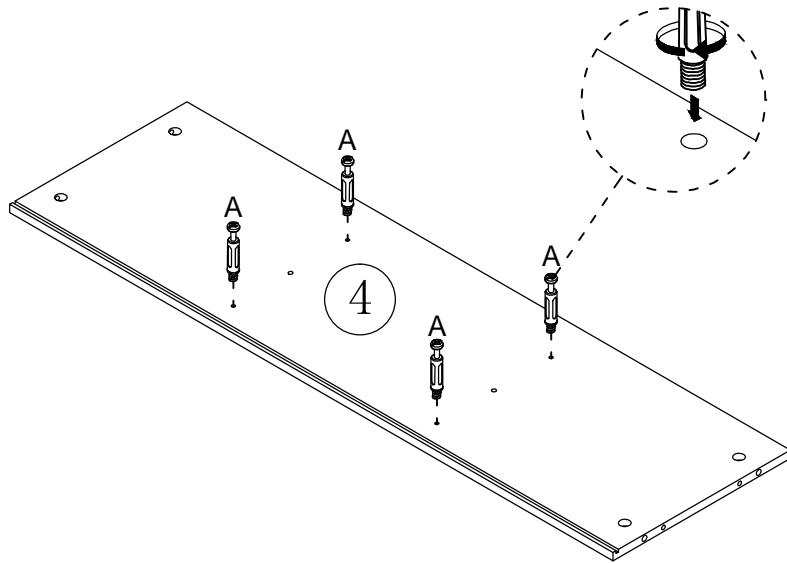


Ø6X35



C
2pcs

7

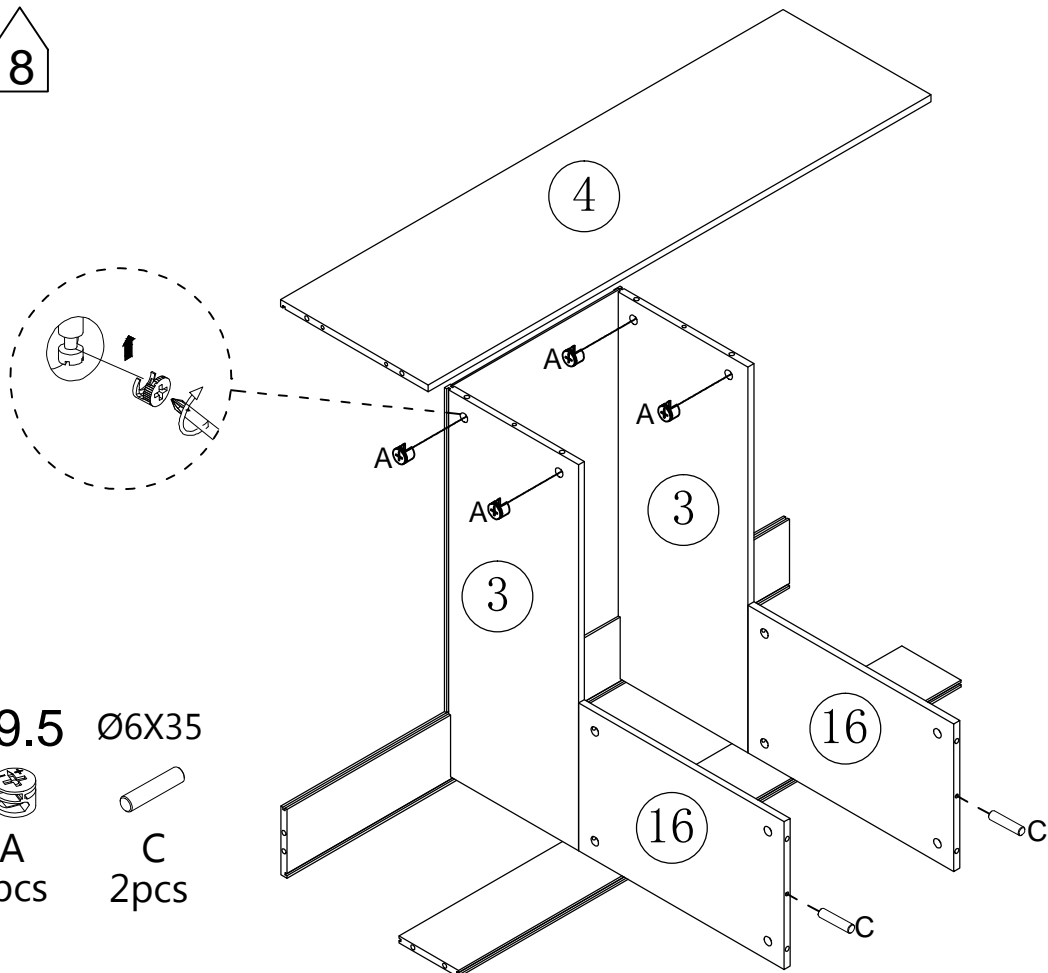


ST6X40



A
4pcs

8



▽ 9.5 Ø6X35

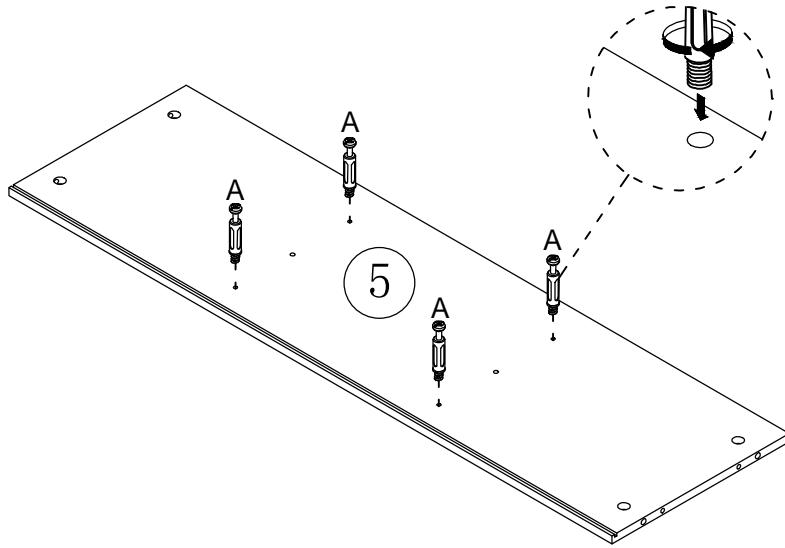


A
4pcs



C
2pcs

9

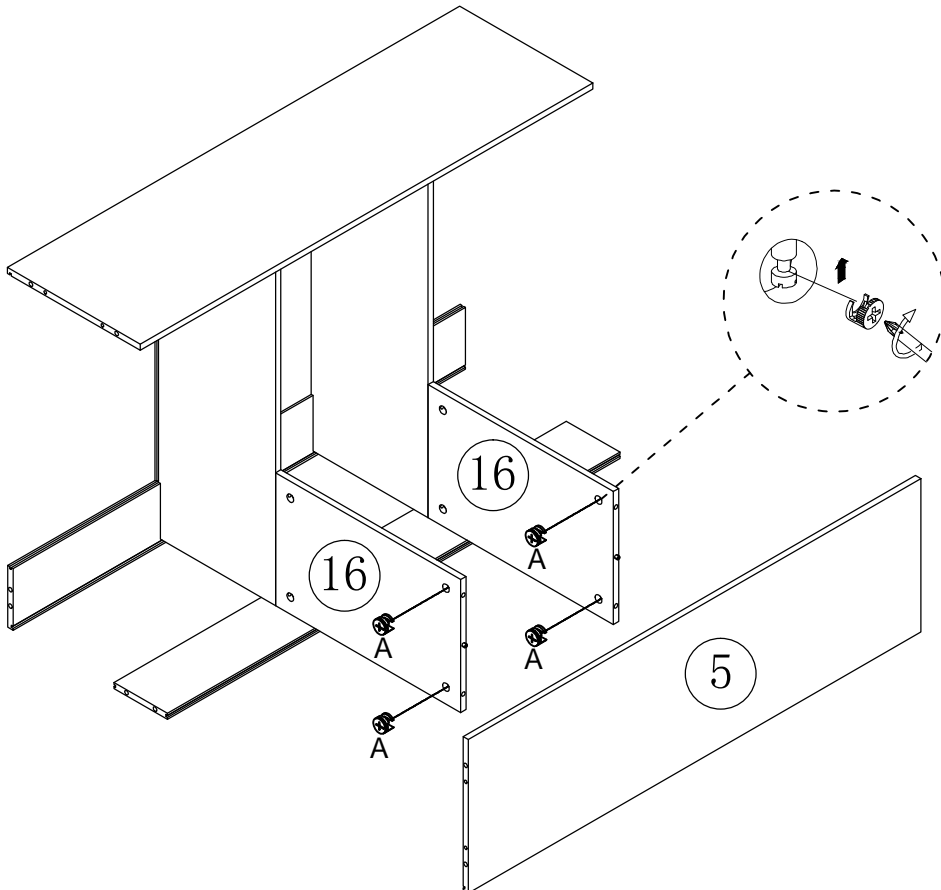


ST6X40



A
4pcs

10

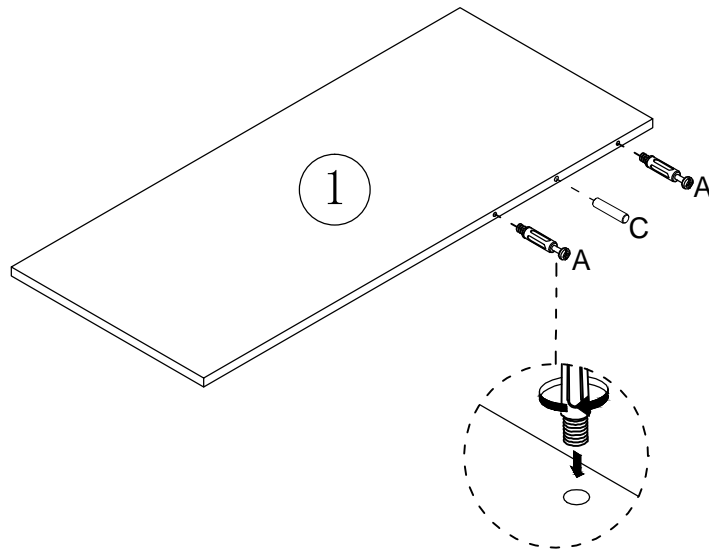


9.5



A
4pcs

11



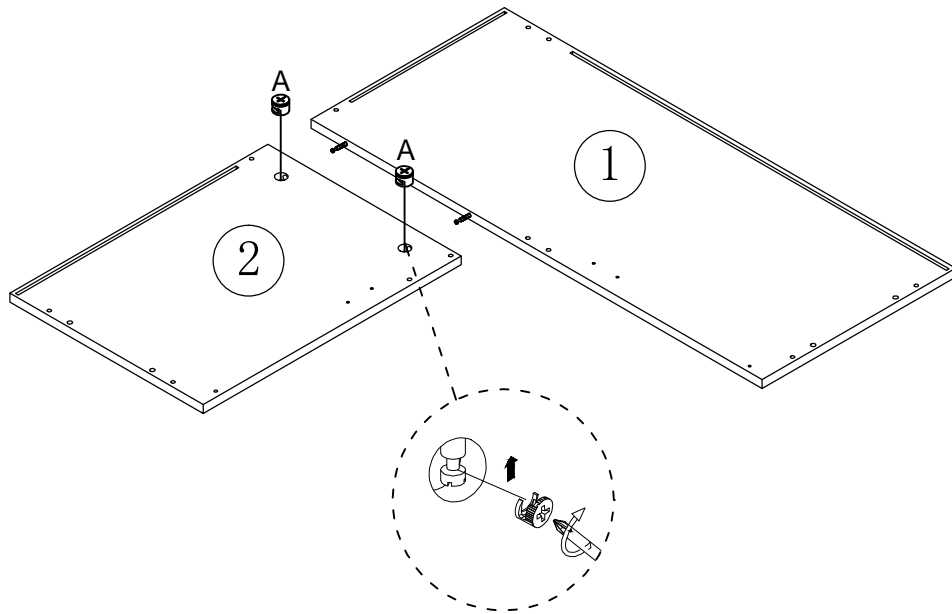
ST6X40 Ø6X35



A
2pcs

C
1pcs

12



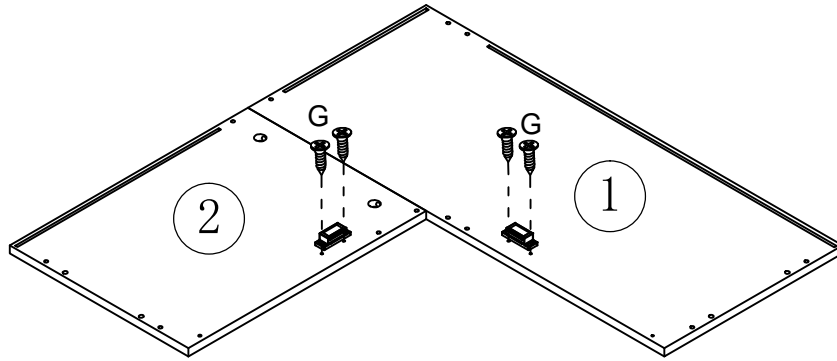
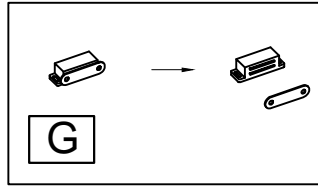
▽ 9.5



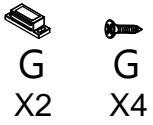
A
2pcs

13

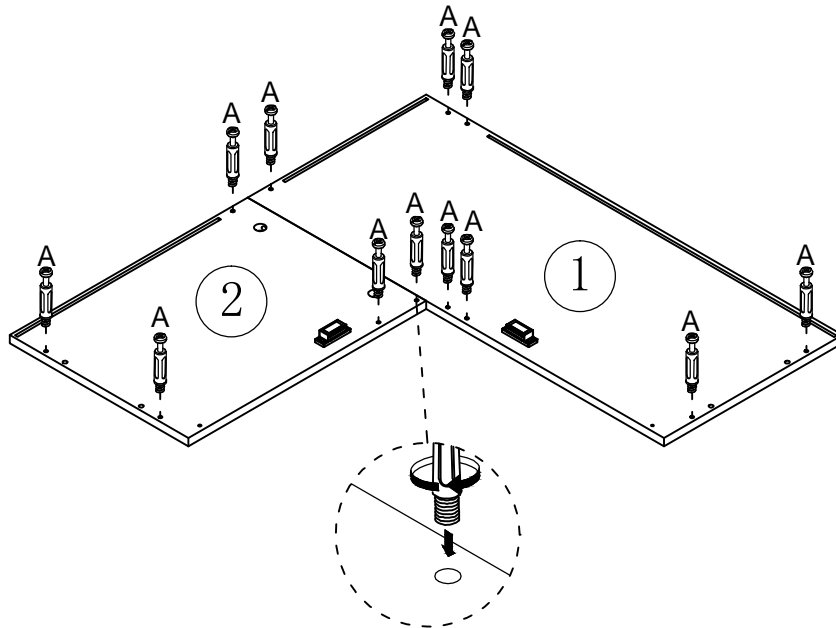
We need to divide
accessory G into two.



ST3*14



14

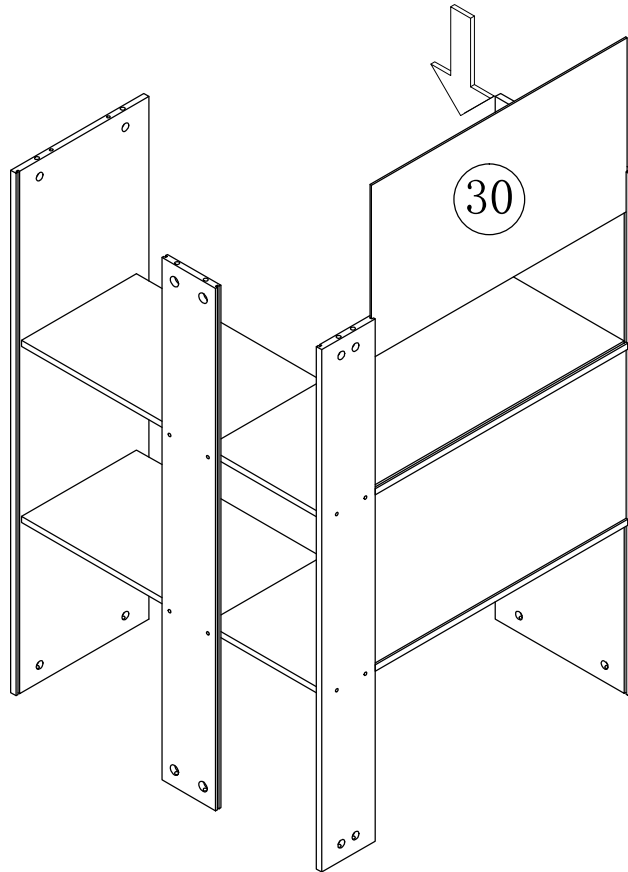


ST6X40

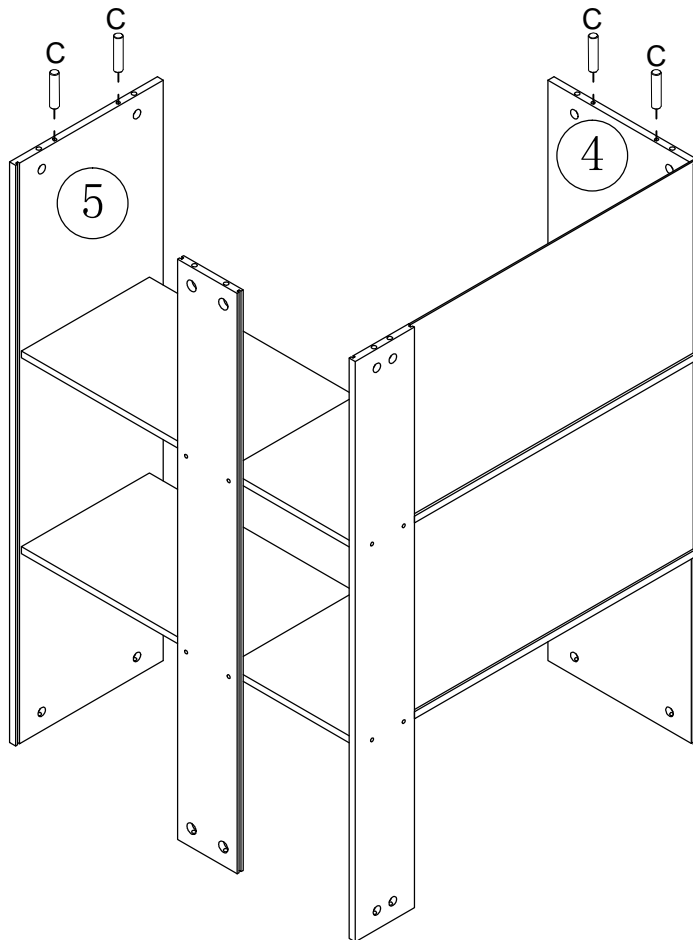


A
12pcs

15



16

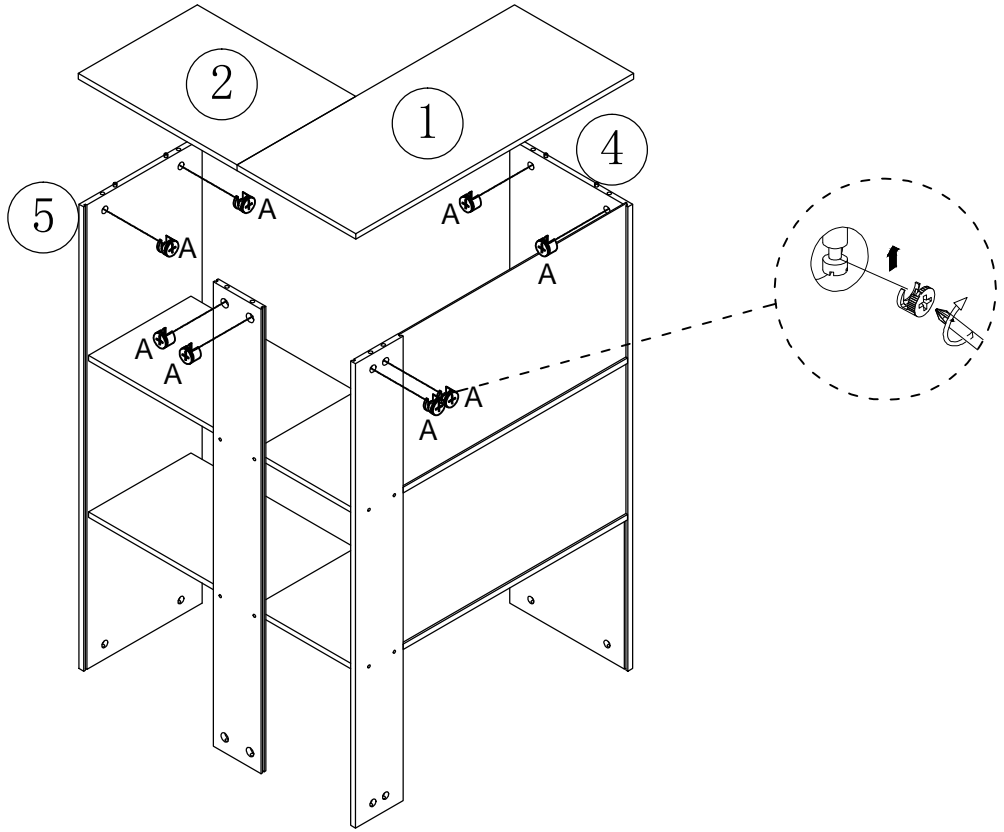


Ø6X35



C
4pcs

17

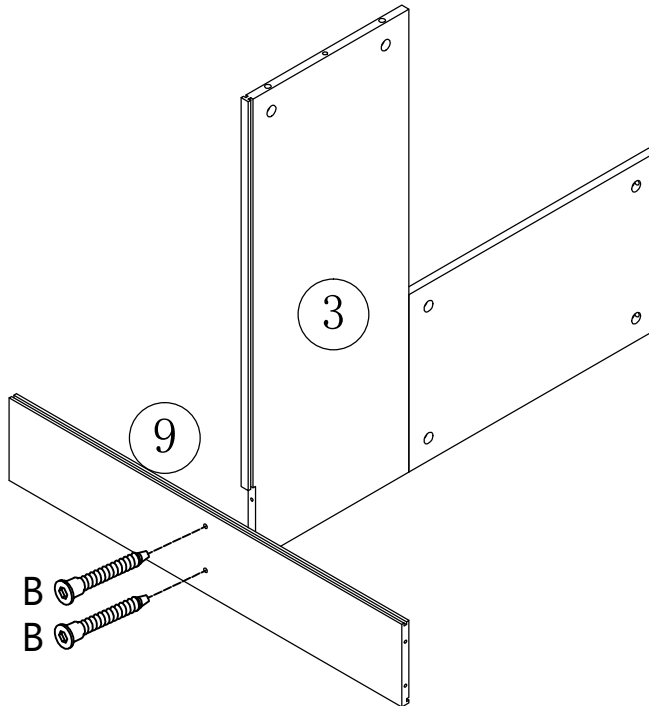


▽ 9.5

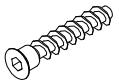


A
8pcs

18

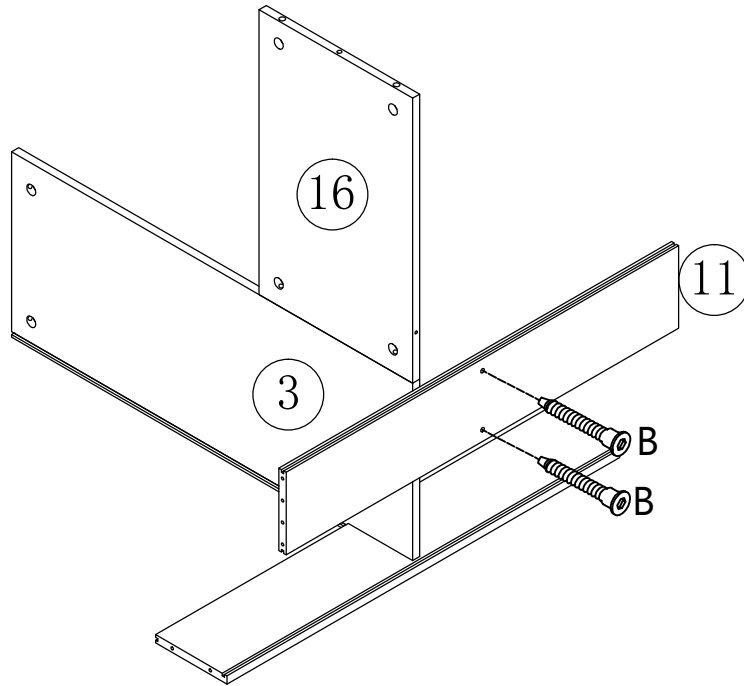


ST5X40

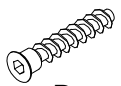


B
2pcs

19

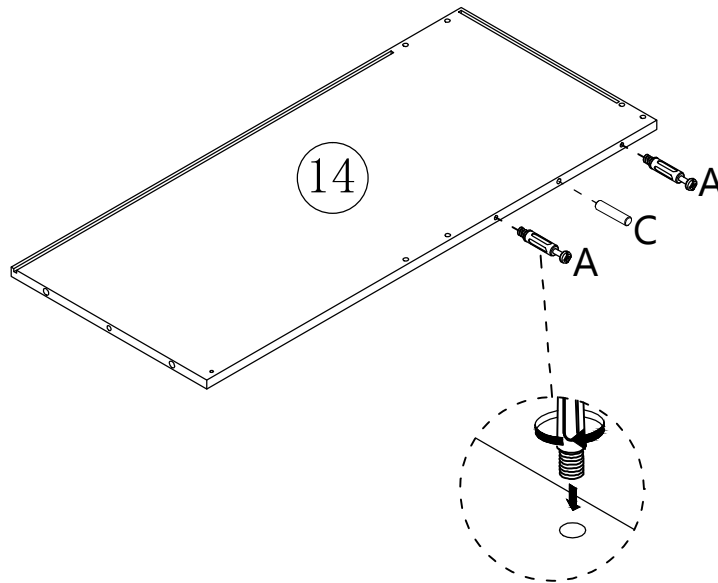


ST5X40



B
2pcs

20

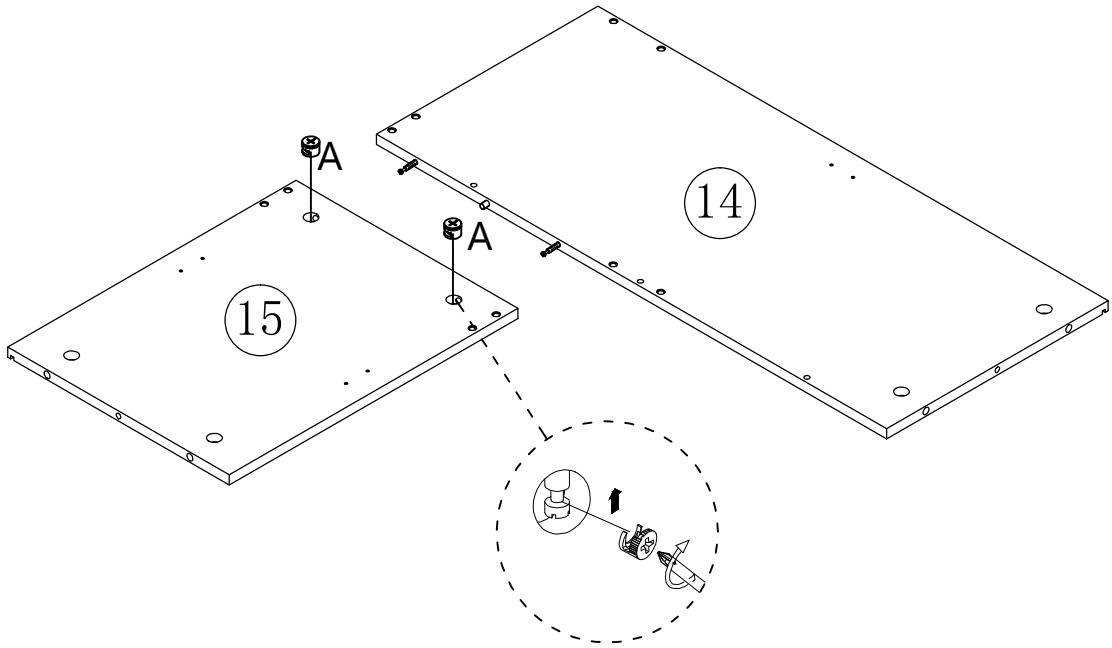


ST6X40 Ø6X35



A C
2pcs 1pcs

21

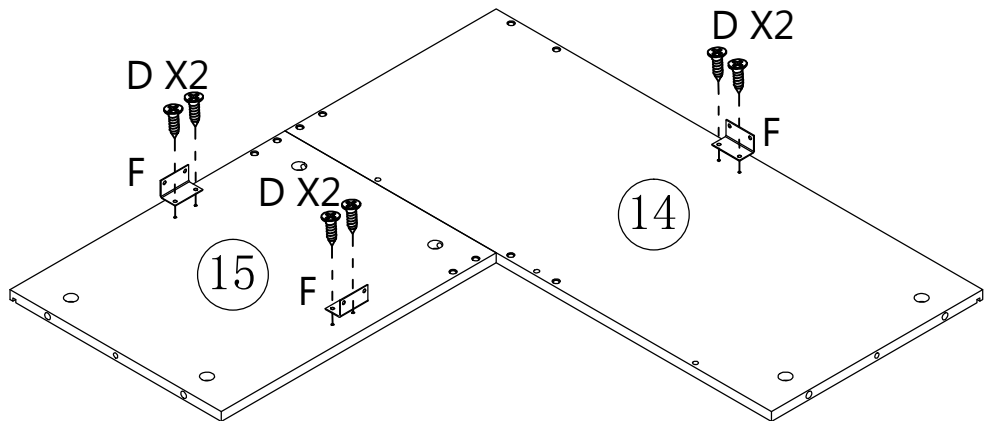


▽ 9.5



A
2pcs

22



ST3.5*12

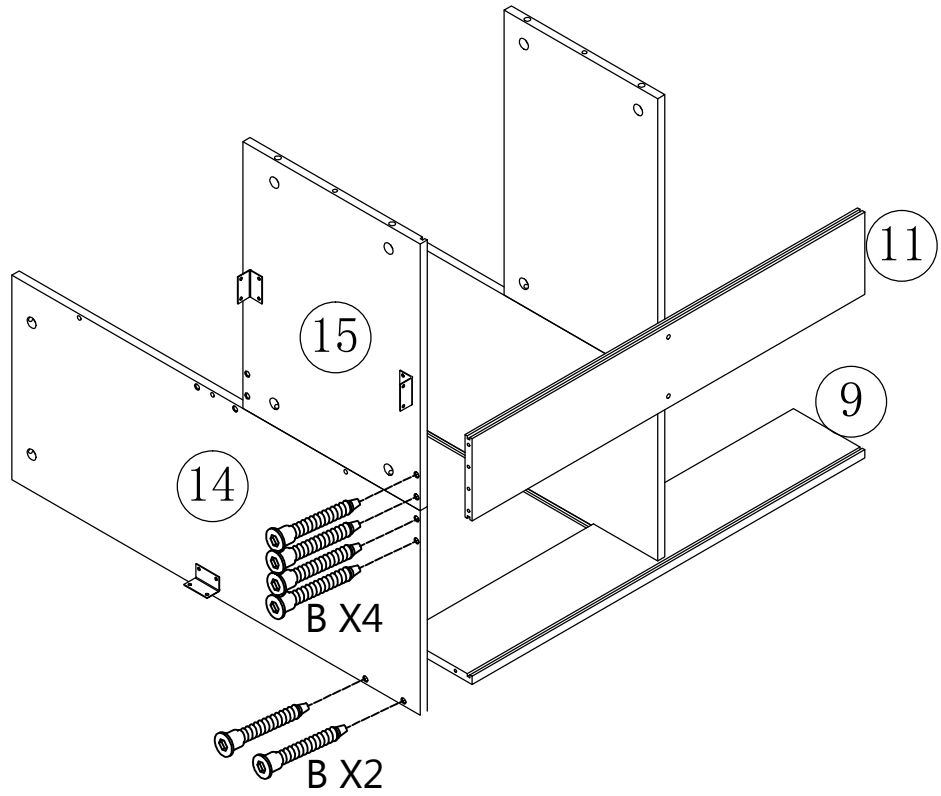


F
3pcs

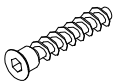


D
6pcs

23

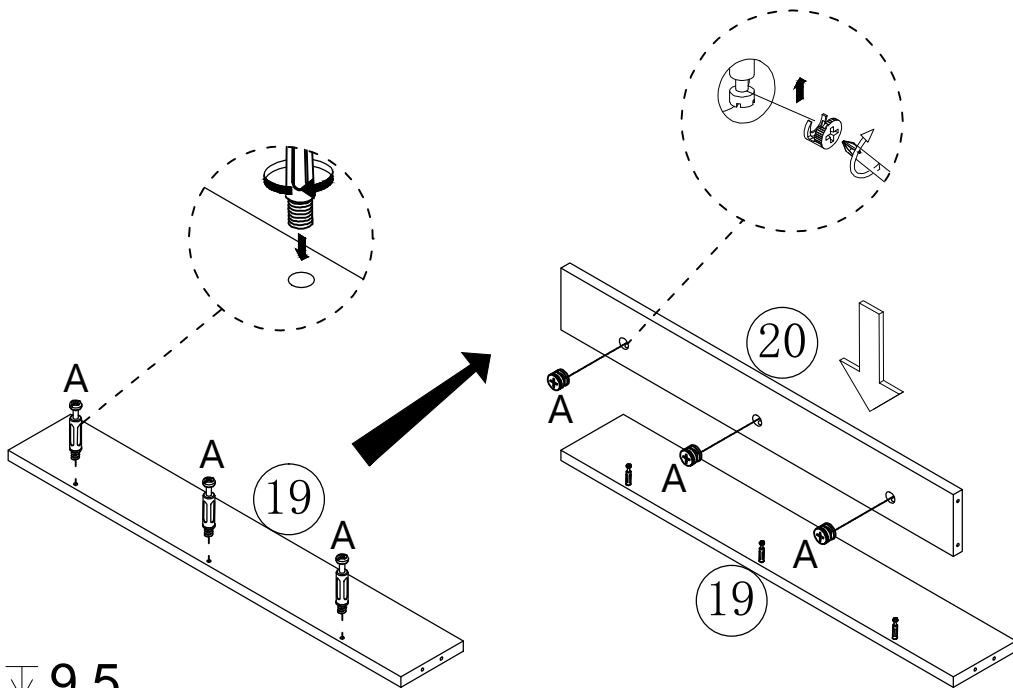


ST5X40



B
6pcs

24



ST6X40

▽ 9.5

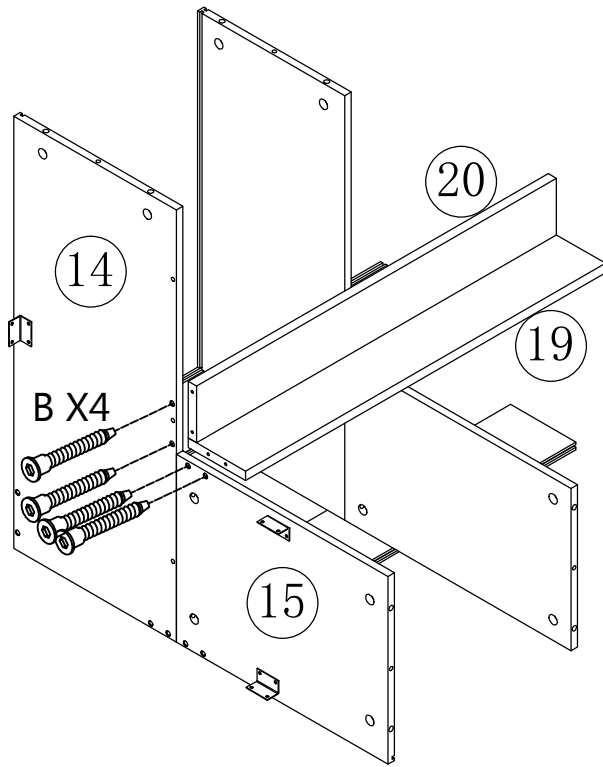


A
3pcs

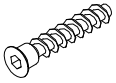


A
3pcs

25

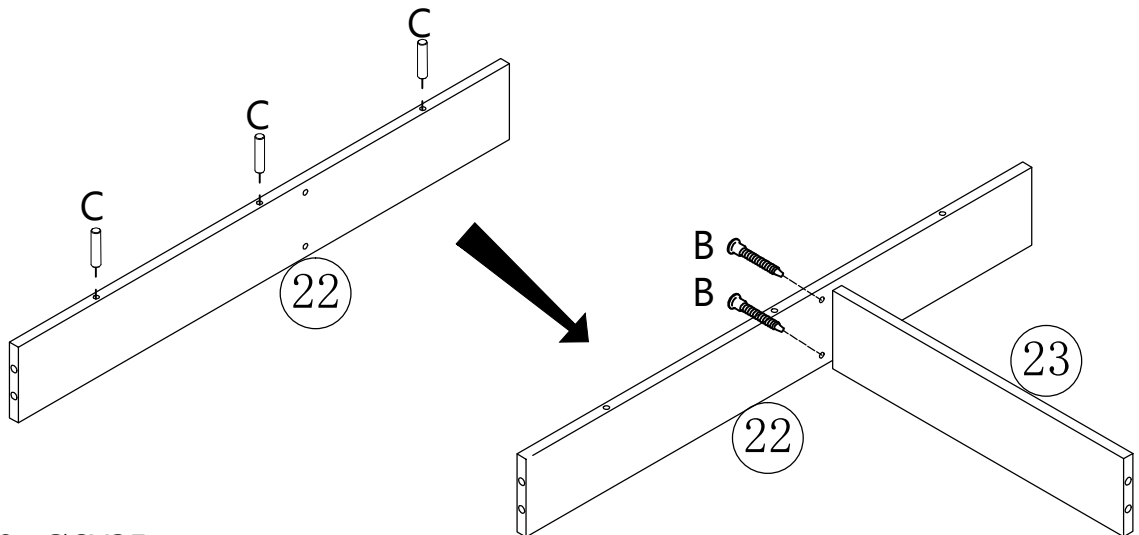


ST5X40

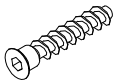


B
4pcs

26



ST5X40 Ø6X35

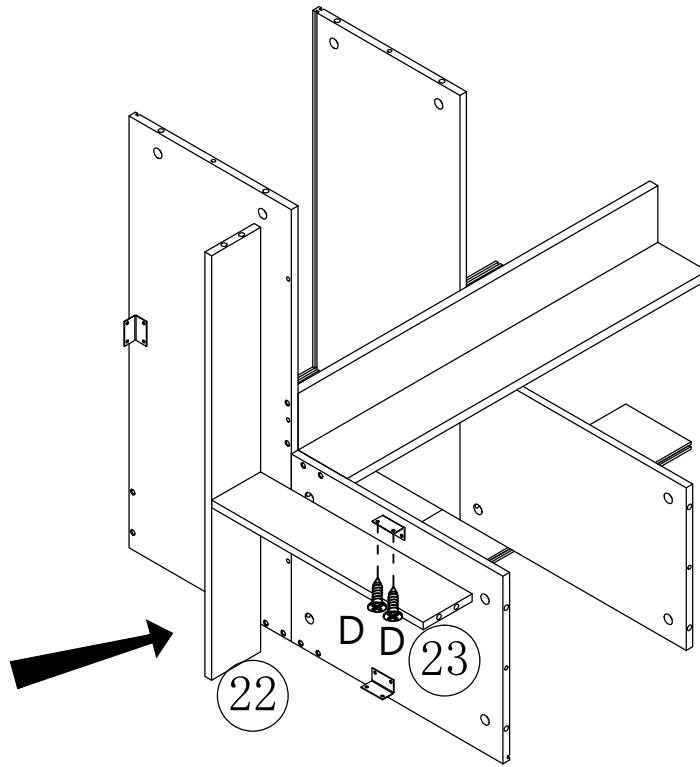


B
2pcs



C
3pcs

27



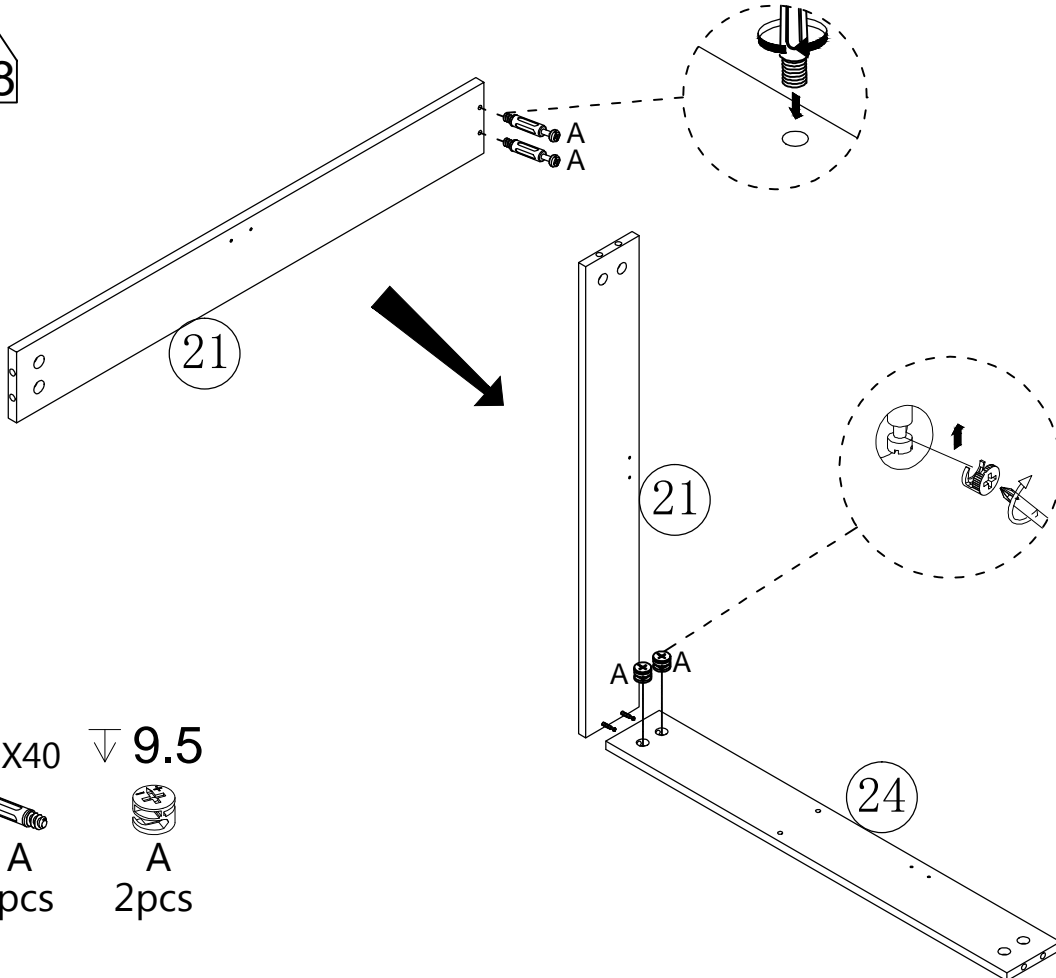
ST3.5*12



D

2pcs

28



ST6X40

▽ 9.5



A

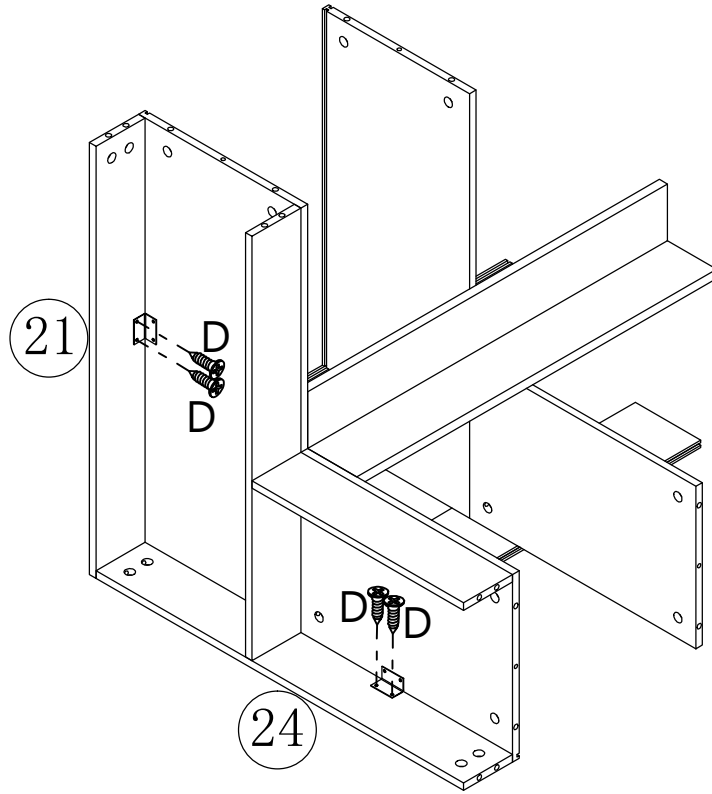
2pcs



A

2pcs

29



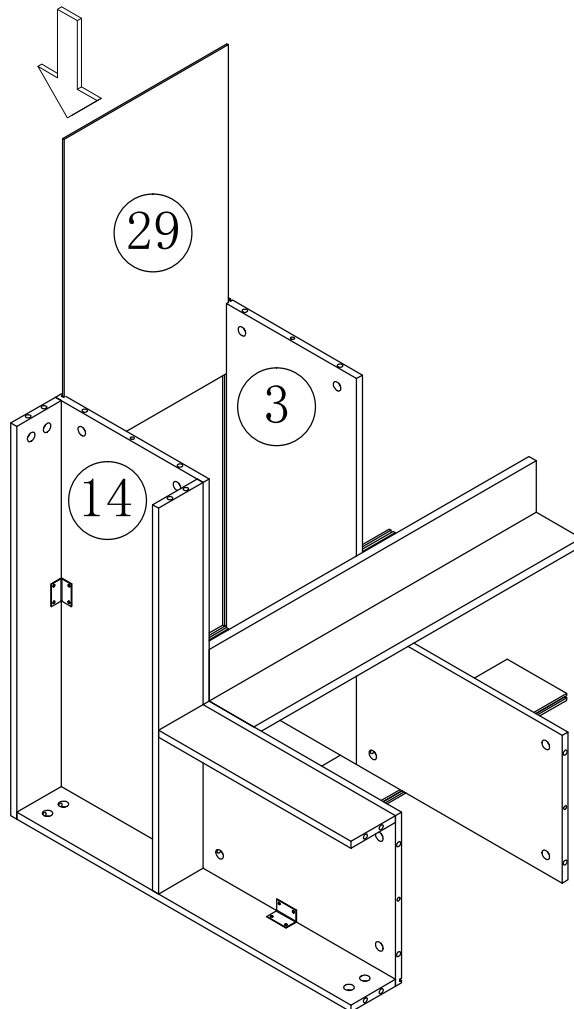
ST3.5*12



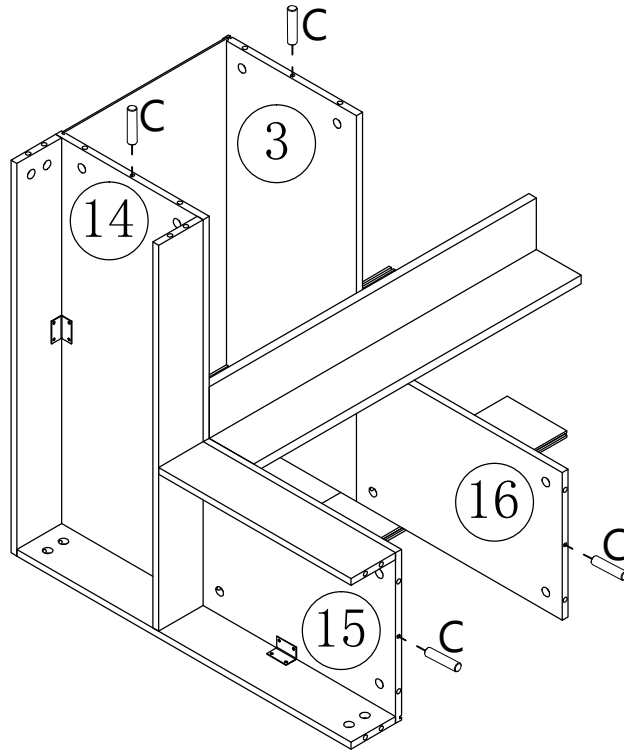
D

4pcs

30



31

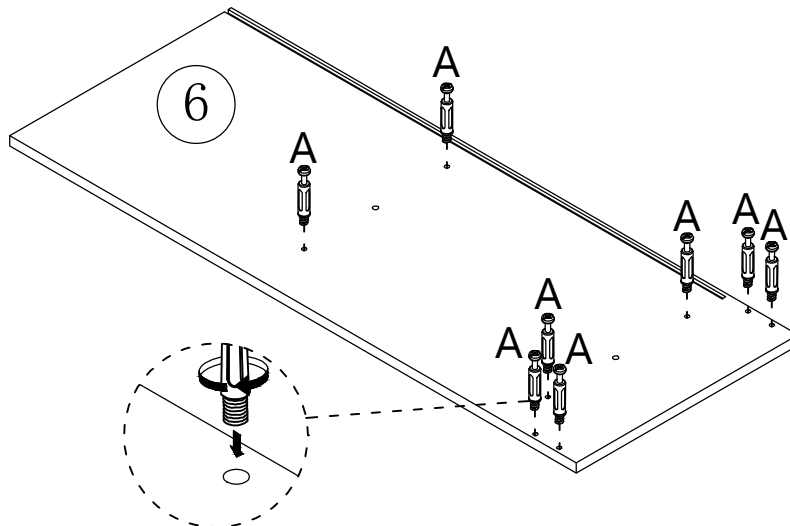


Ø6X35



C
4pcs

32

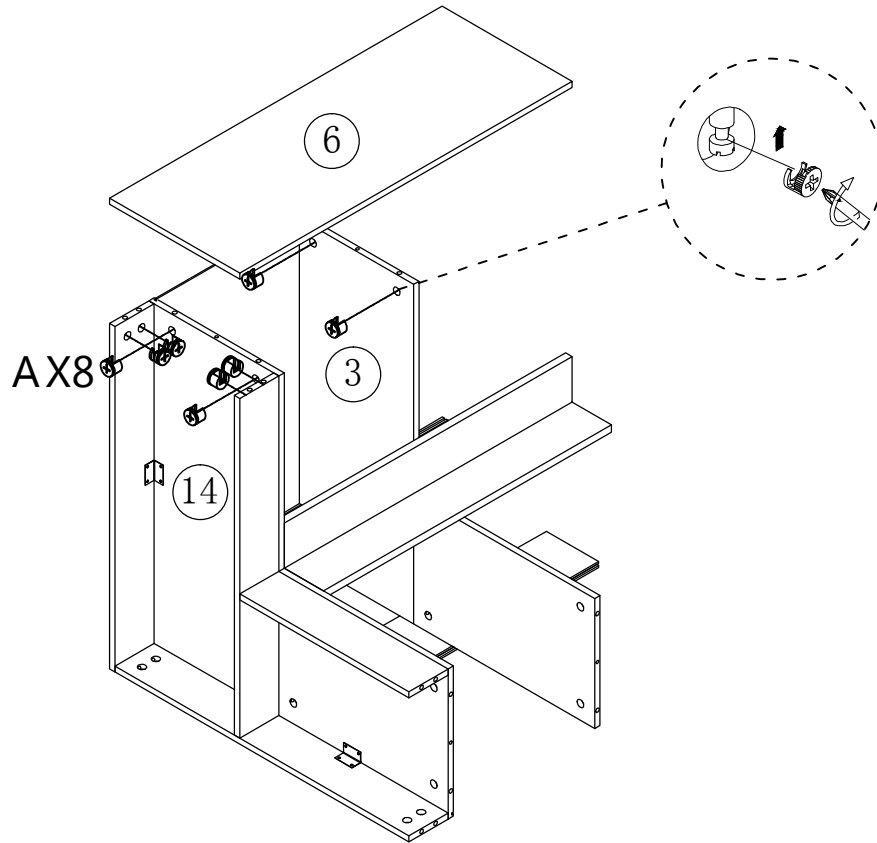


ST6X40



A
8pcs

33

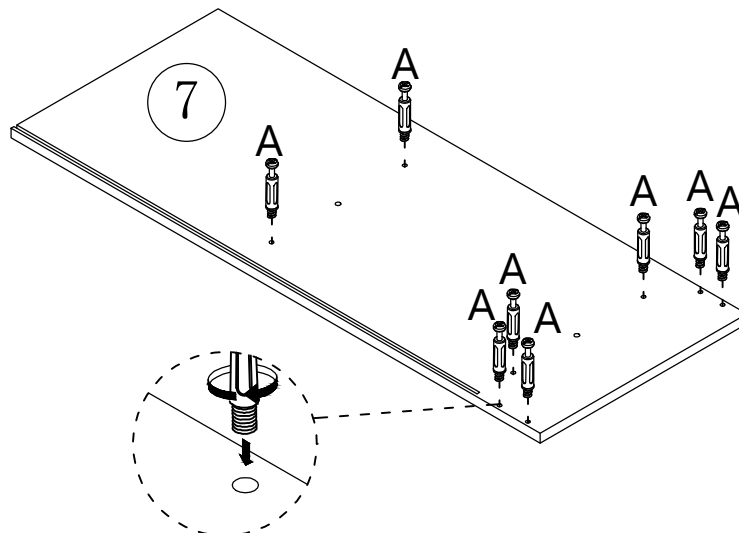


▽ 9.5



A
8pcs

34

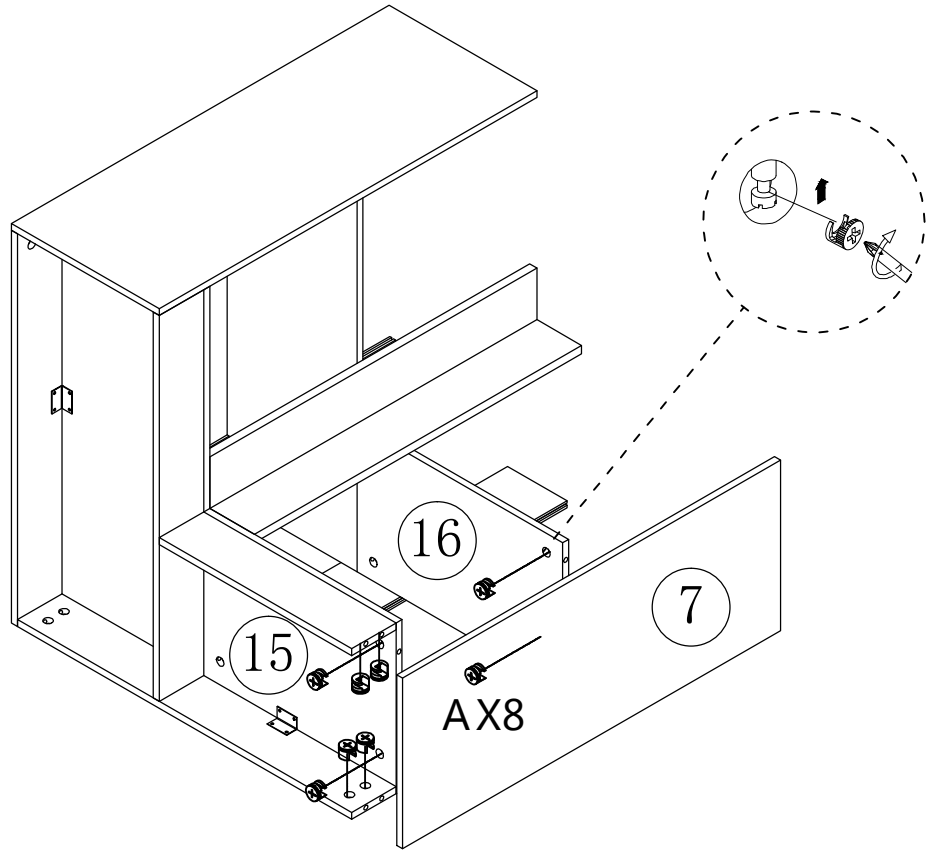


ST6X40



A
8pcs

35

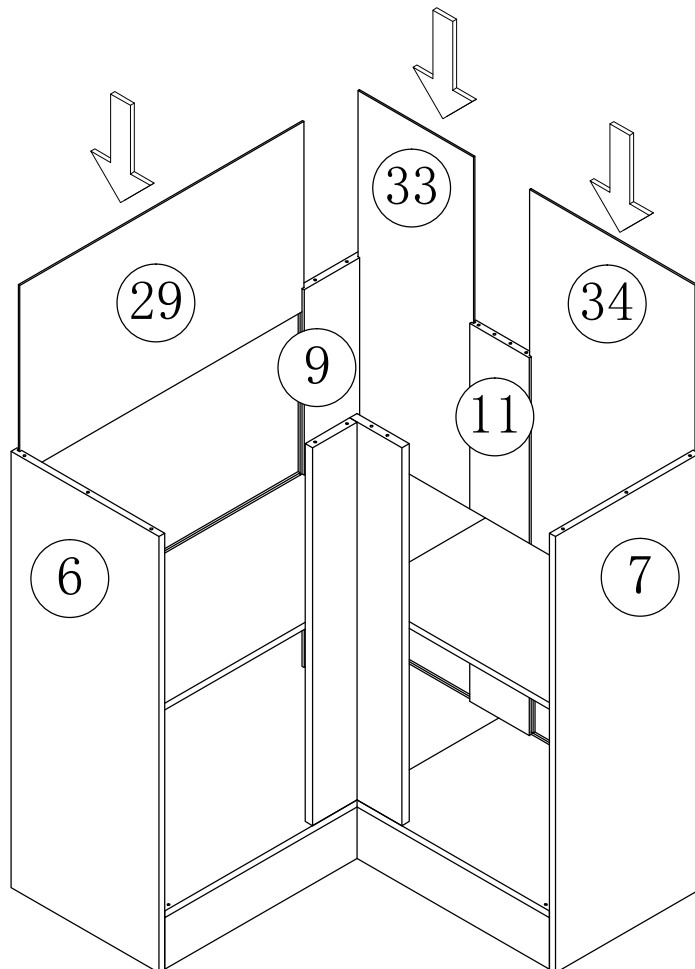


▽ 9.5

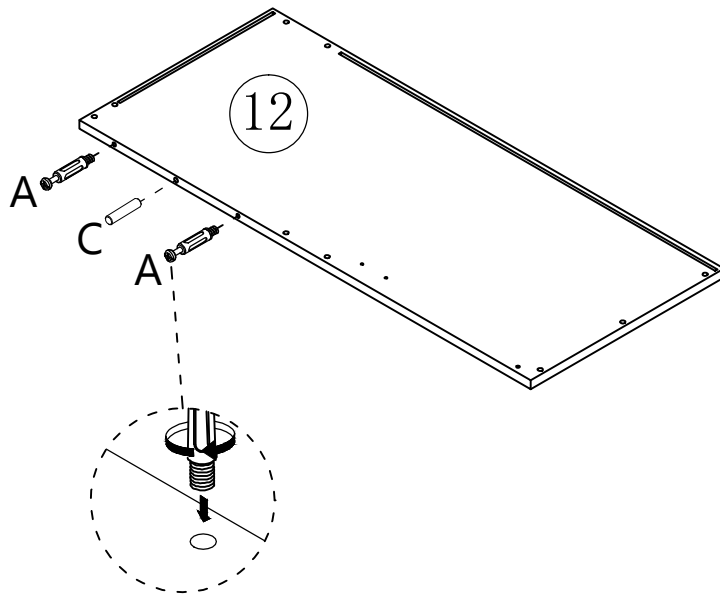


A
8pcs

36



37



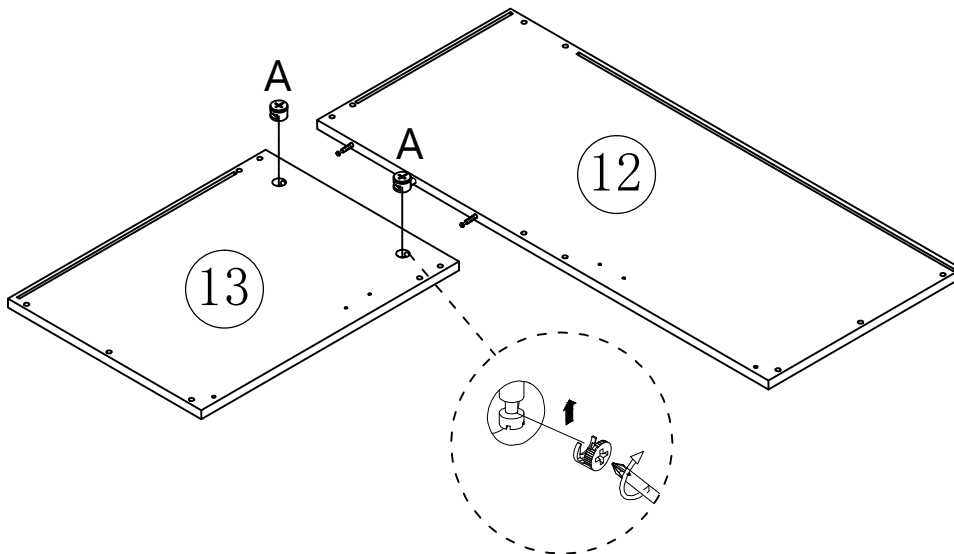
ST6X40 Ø6X35



A
2pcs

C
1pcs

38



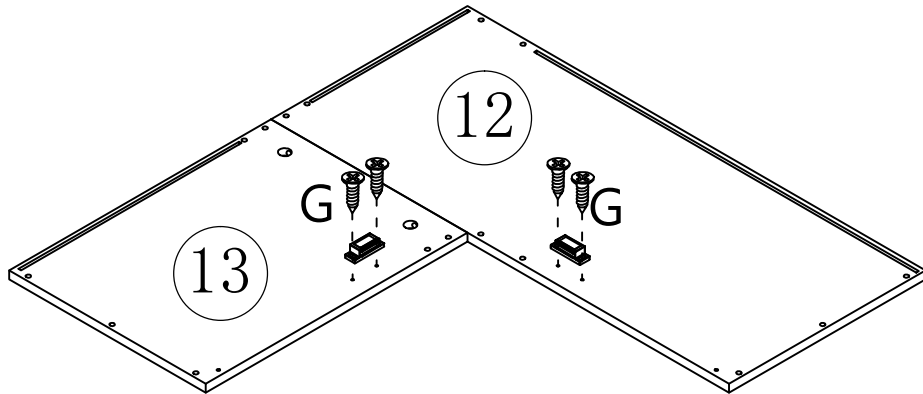
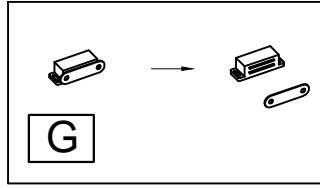
▽ 9.5



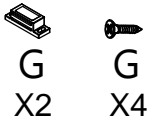
A
2pcs

39

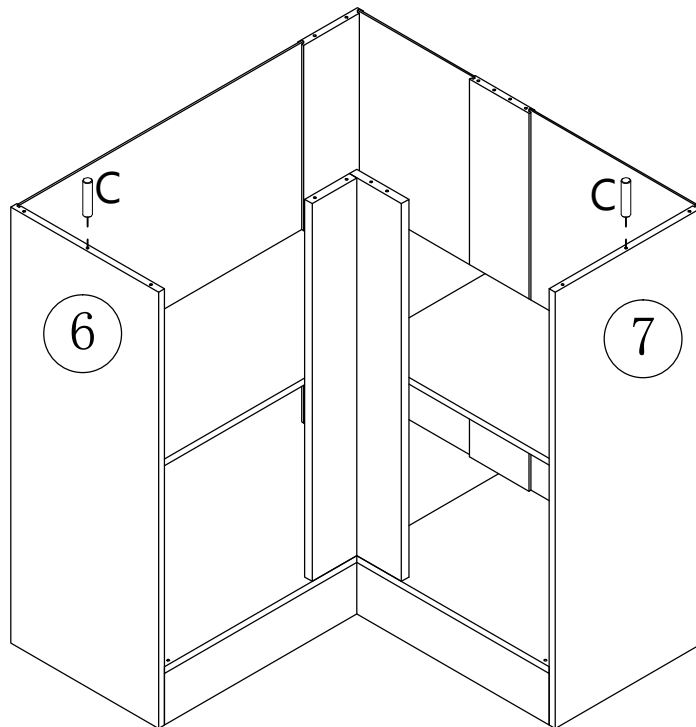
We need to divide
accessory G into two.



ST3*14



40

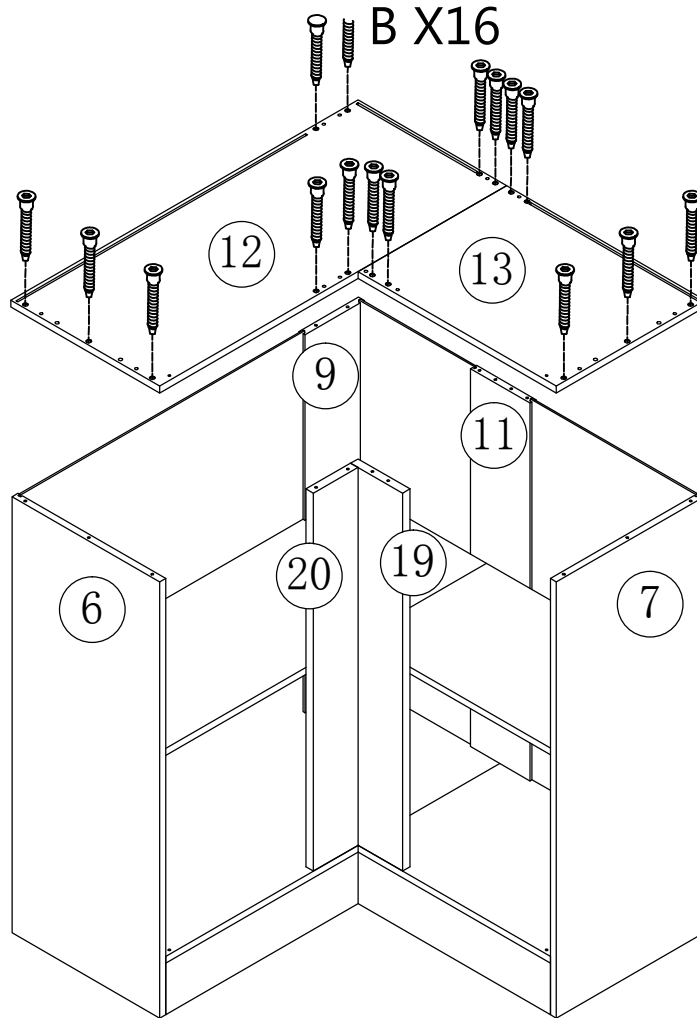


Ø6X35

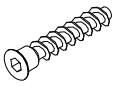


C
2pcs

41

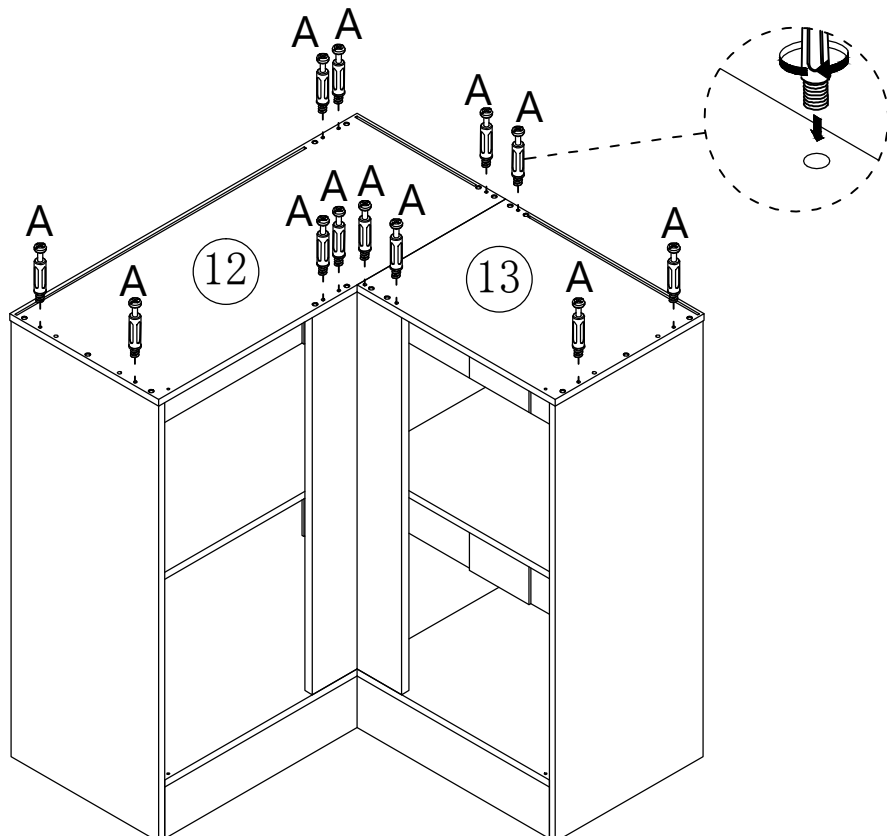


ST5X40



B
16pcs

42

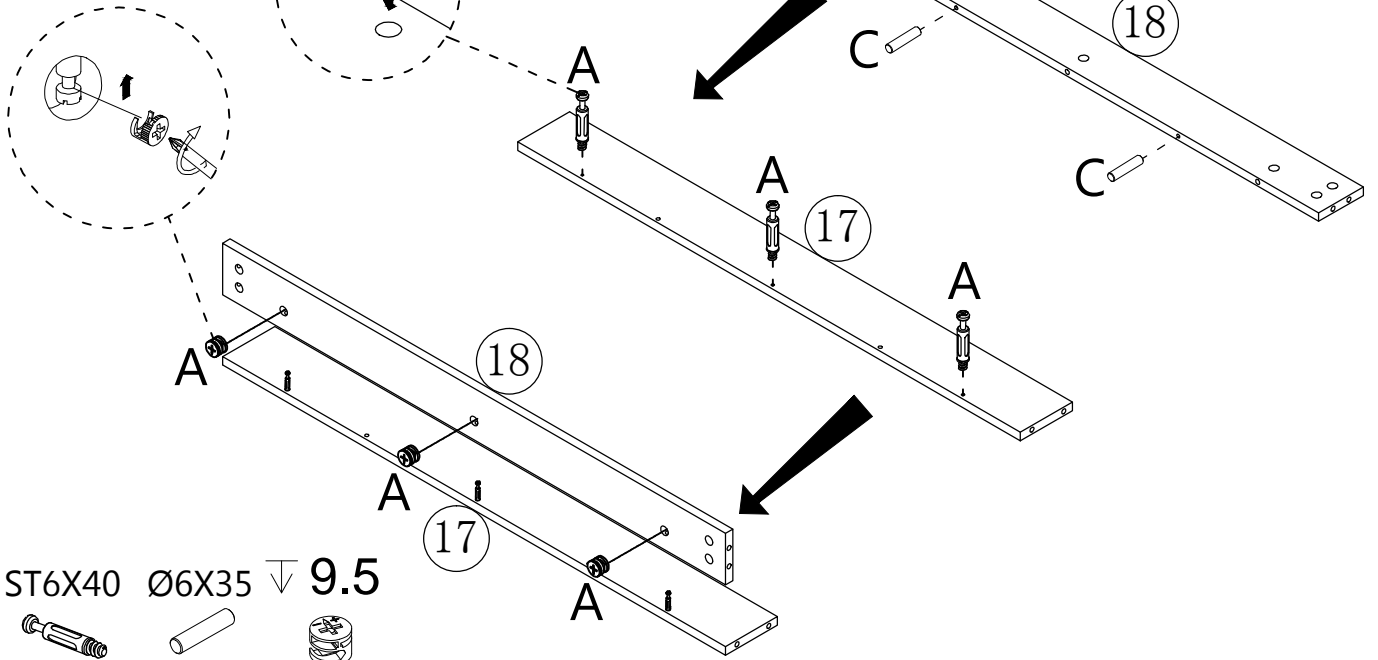


ST6X40



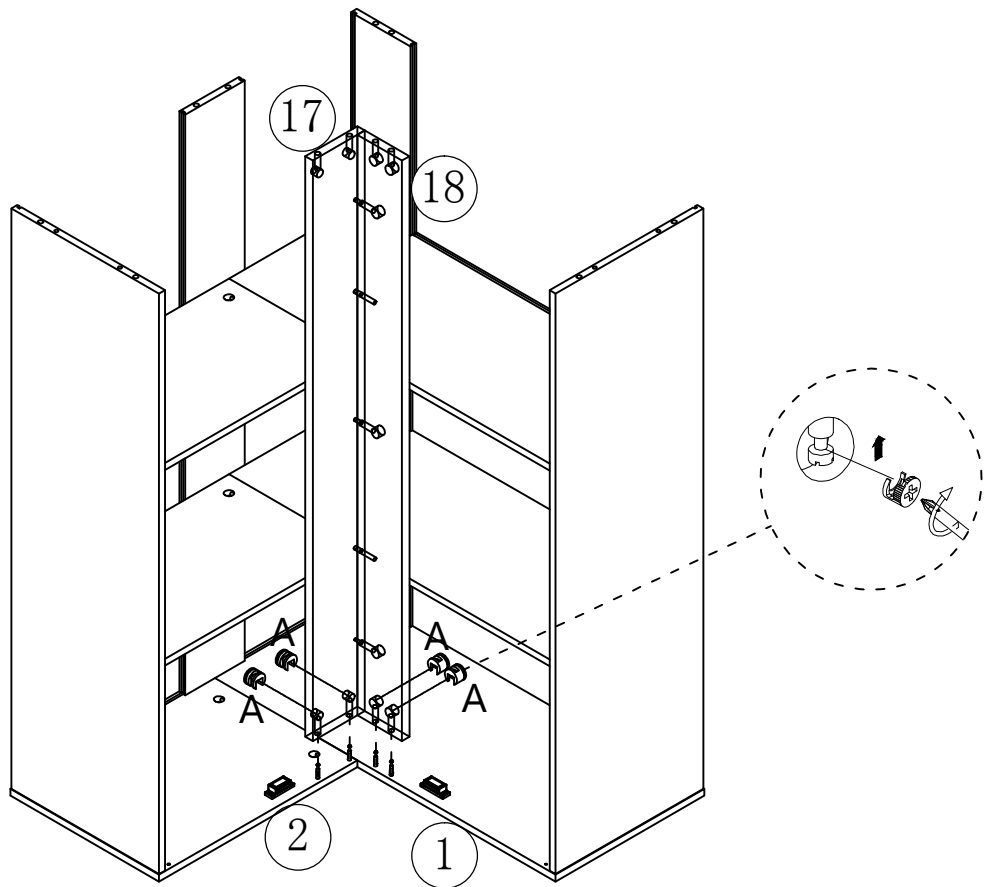
A
12pcs

43

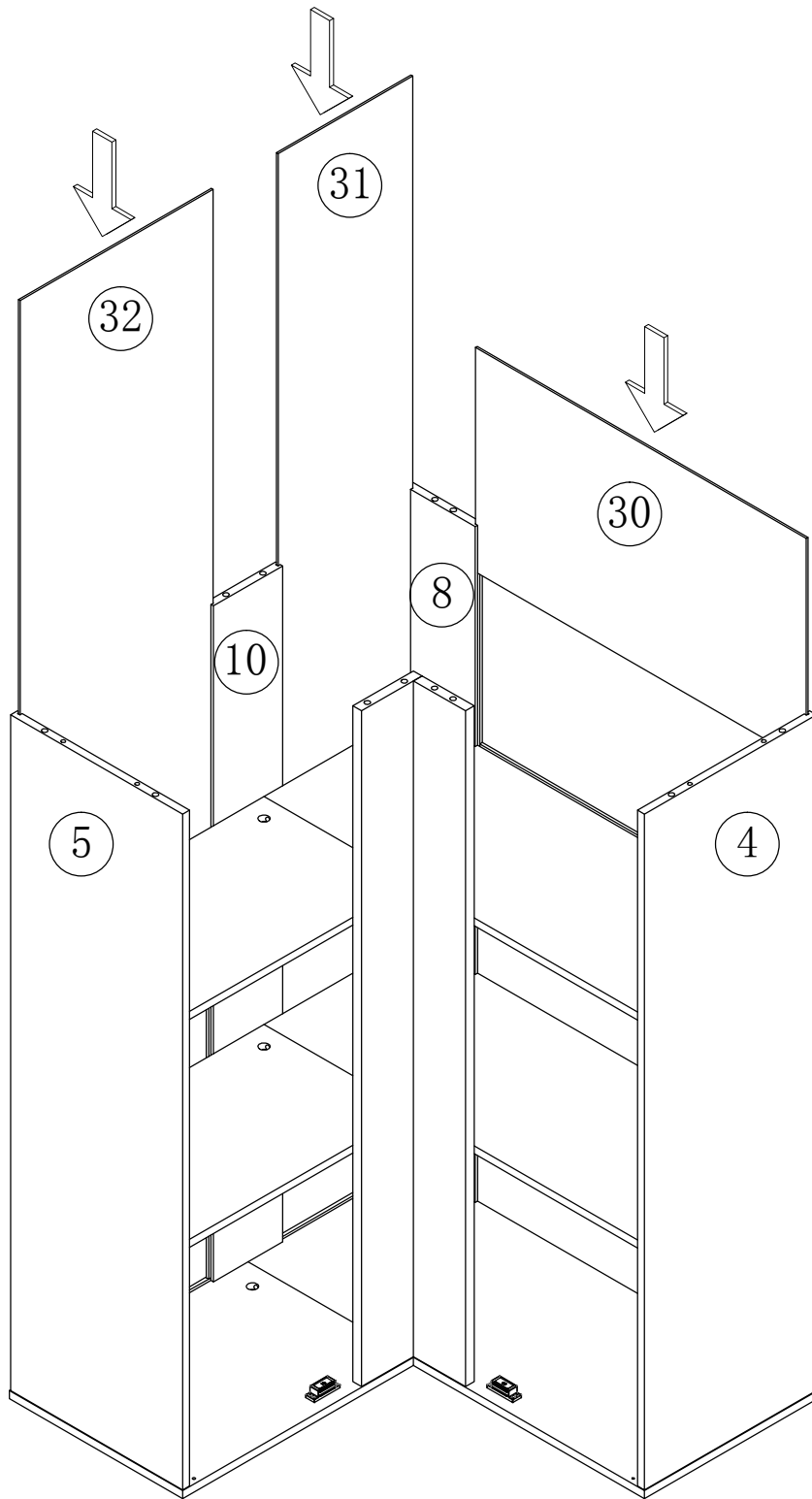


- ST6X40 Ø6X35 ▽ 9.5
- A C A
- 3pcs 2pcs 3pcs

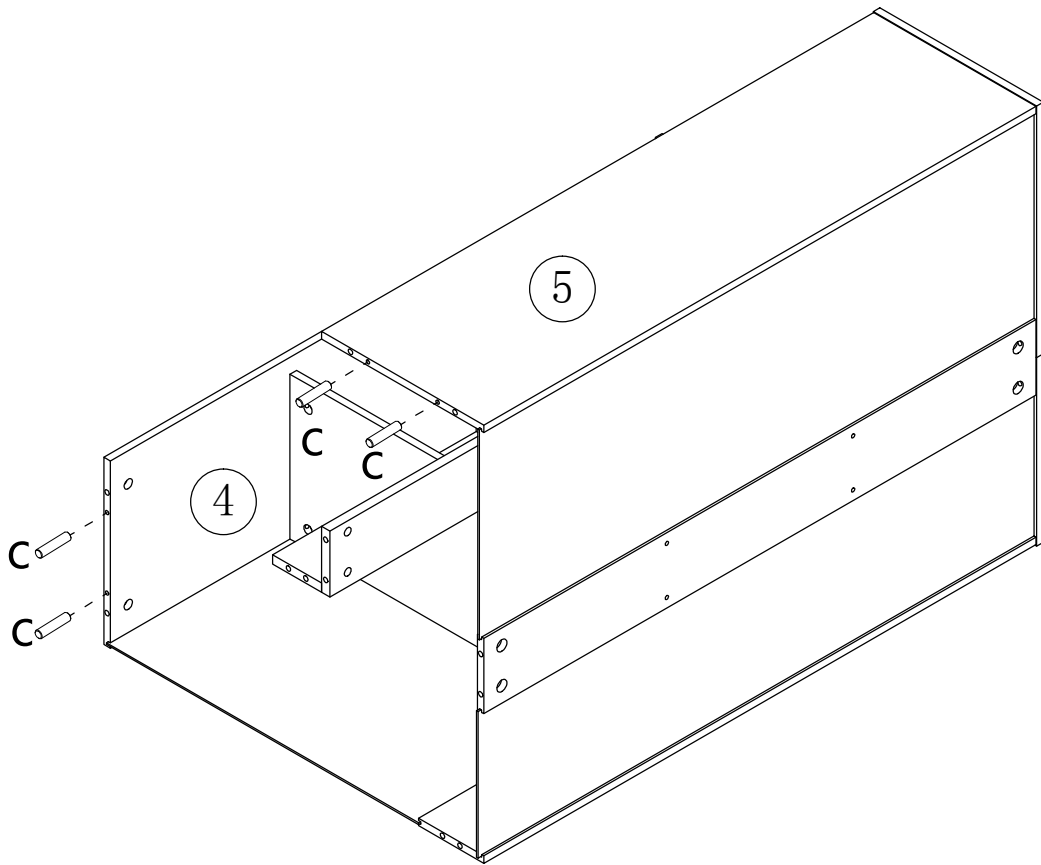
44



- ▽ 9.5
- A
- 4pcs



46

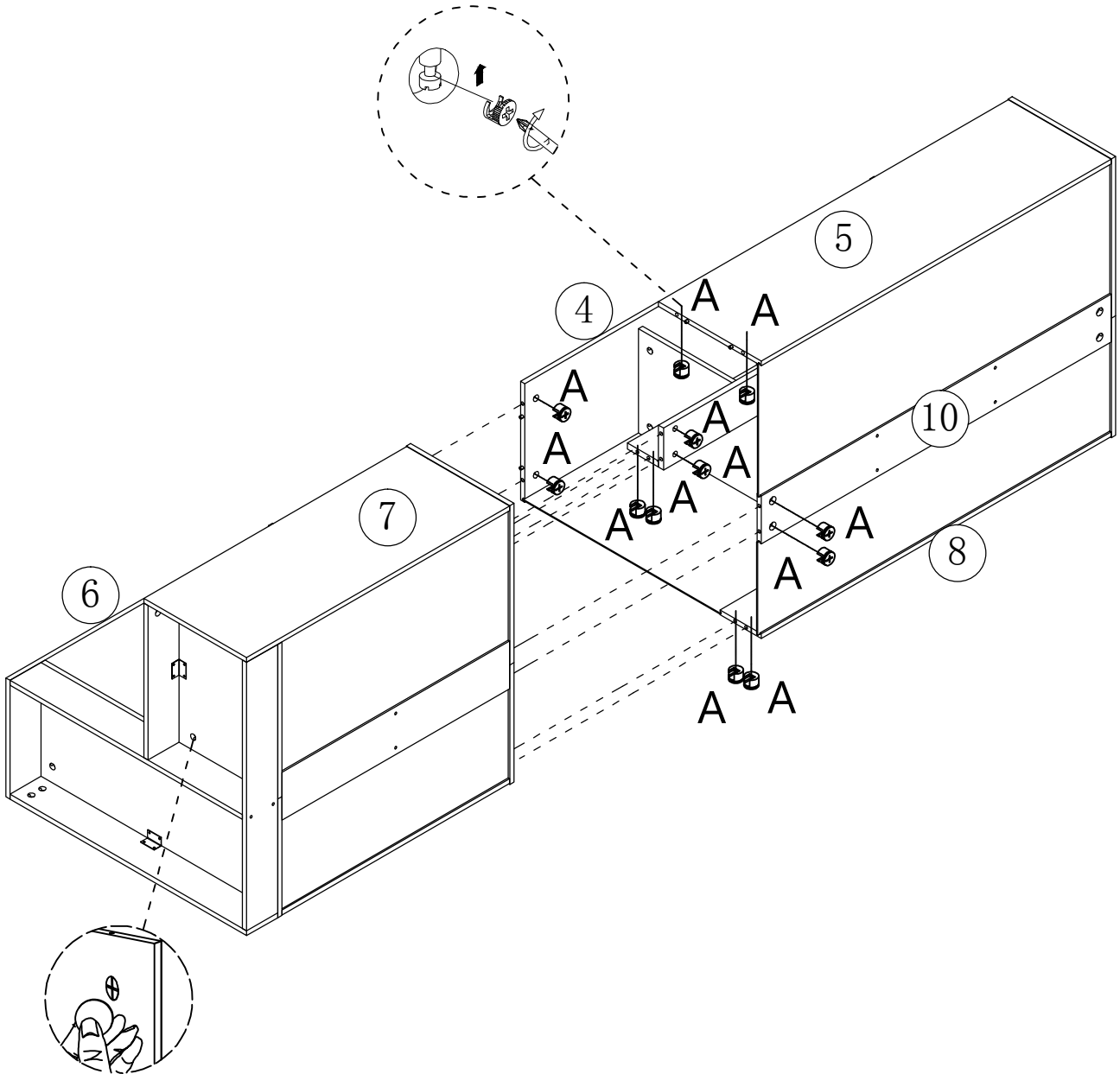


Ø6X35



C
4pcs

47



▽ 9.5

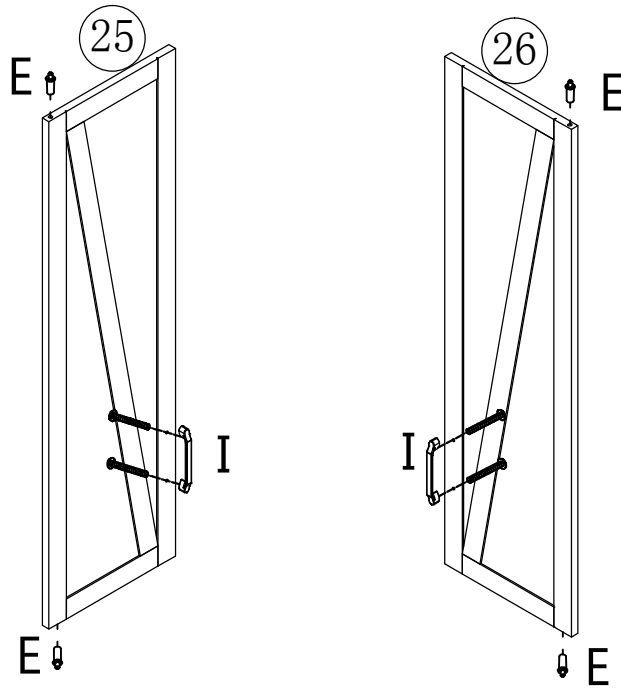


A
12pcs



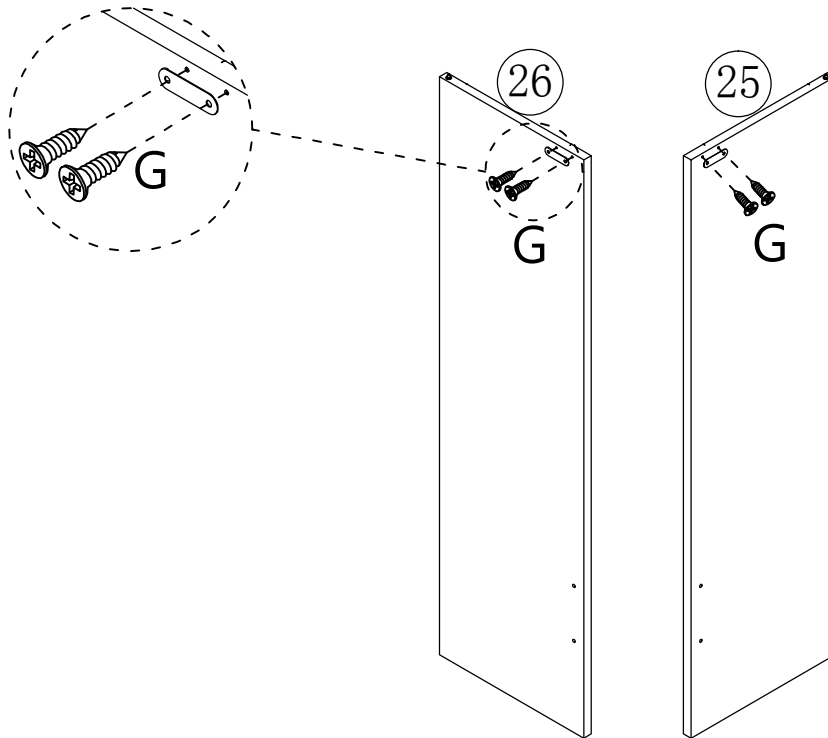
1pc

48



- Ø7-Ø4 E 4pcs
- M4X18 I 2pcs
- I 4pcs

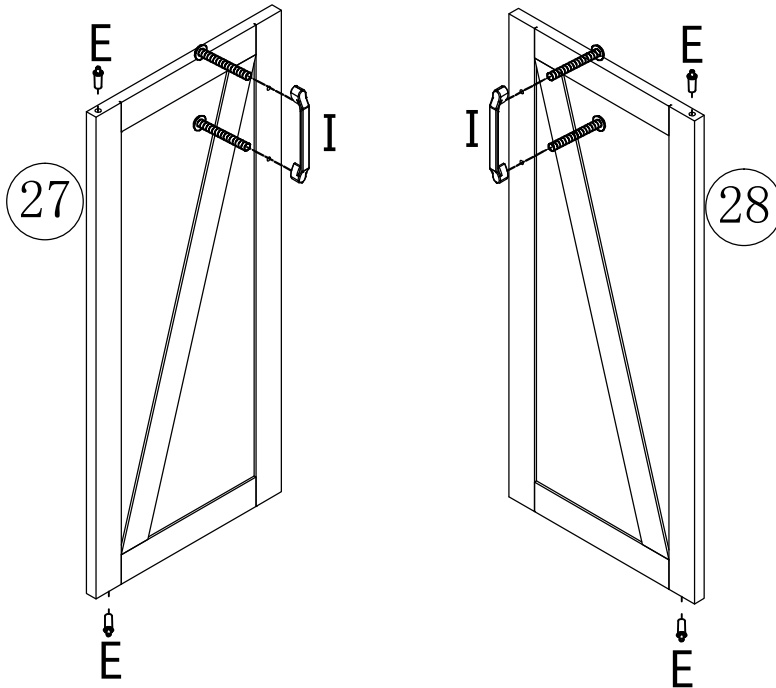
49


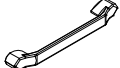



ST3*14

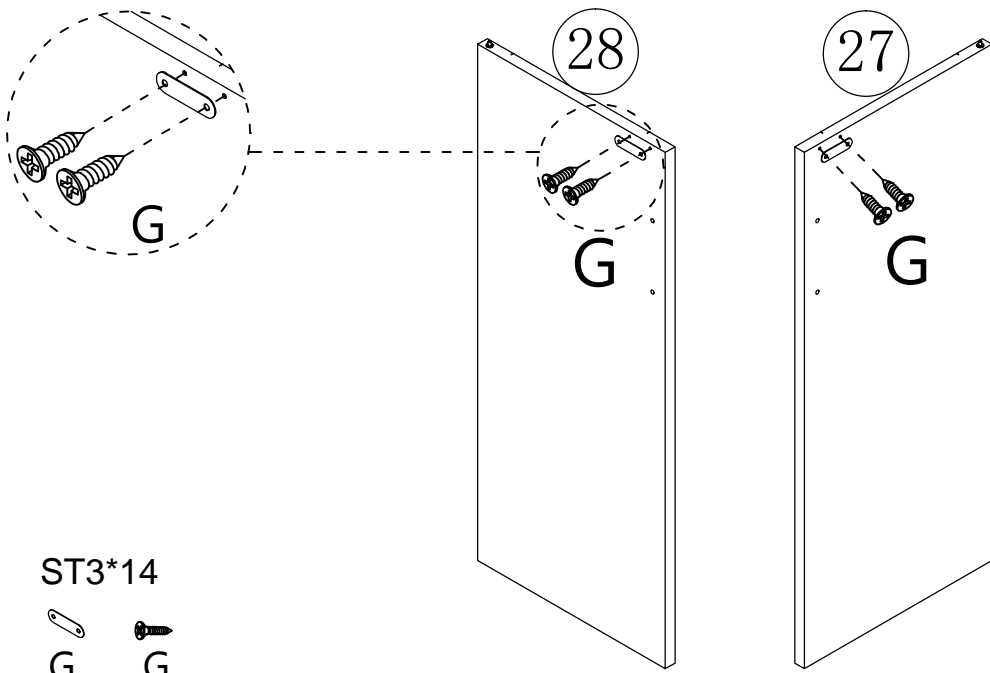
- G X2
- G X4

50





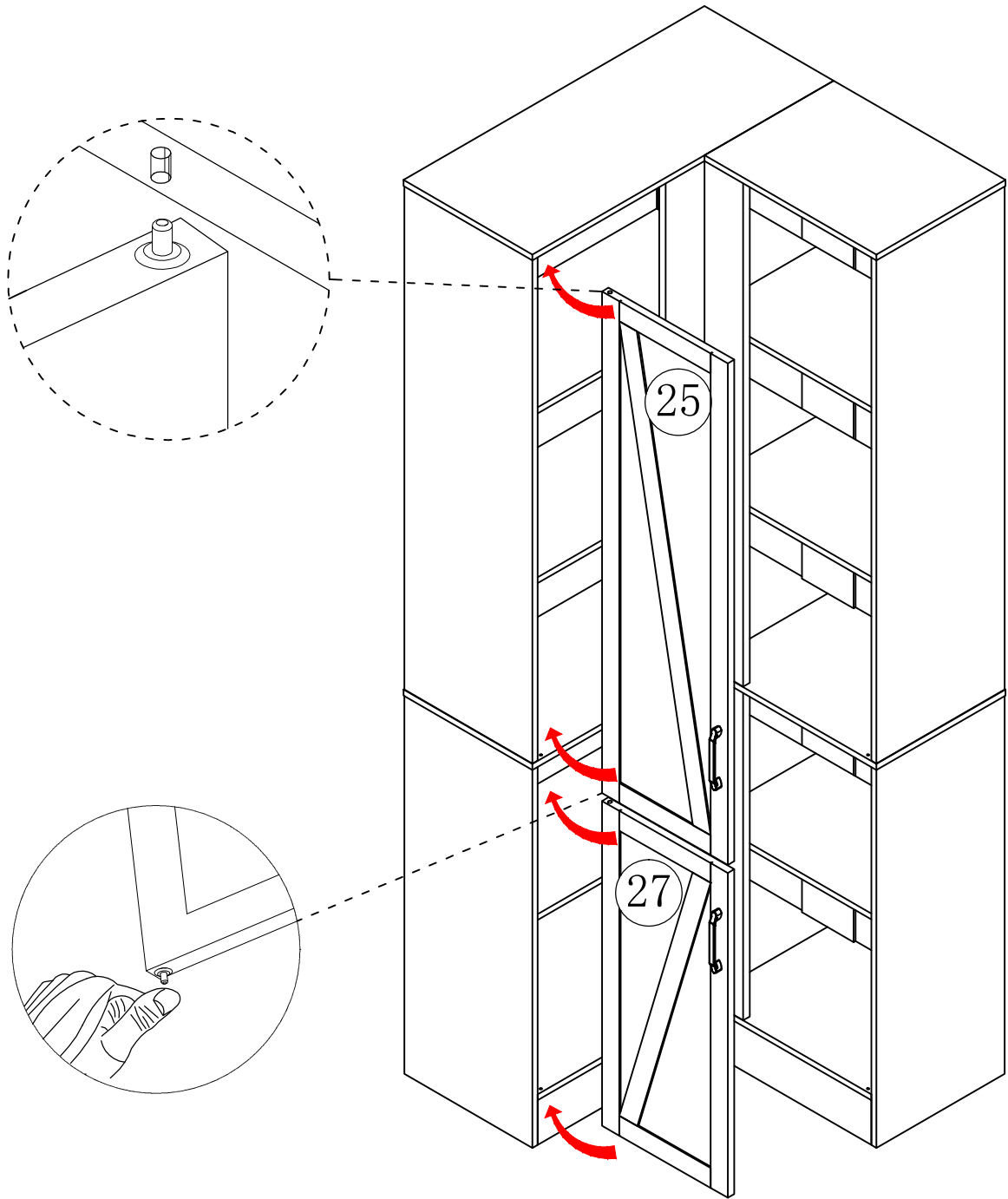
- Ø7-Ø4 M4X18
-  E  I  I
- 4pcs 2pcs 4pcs

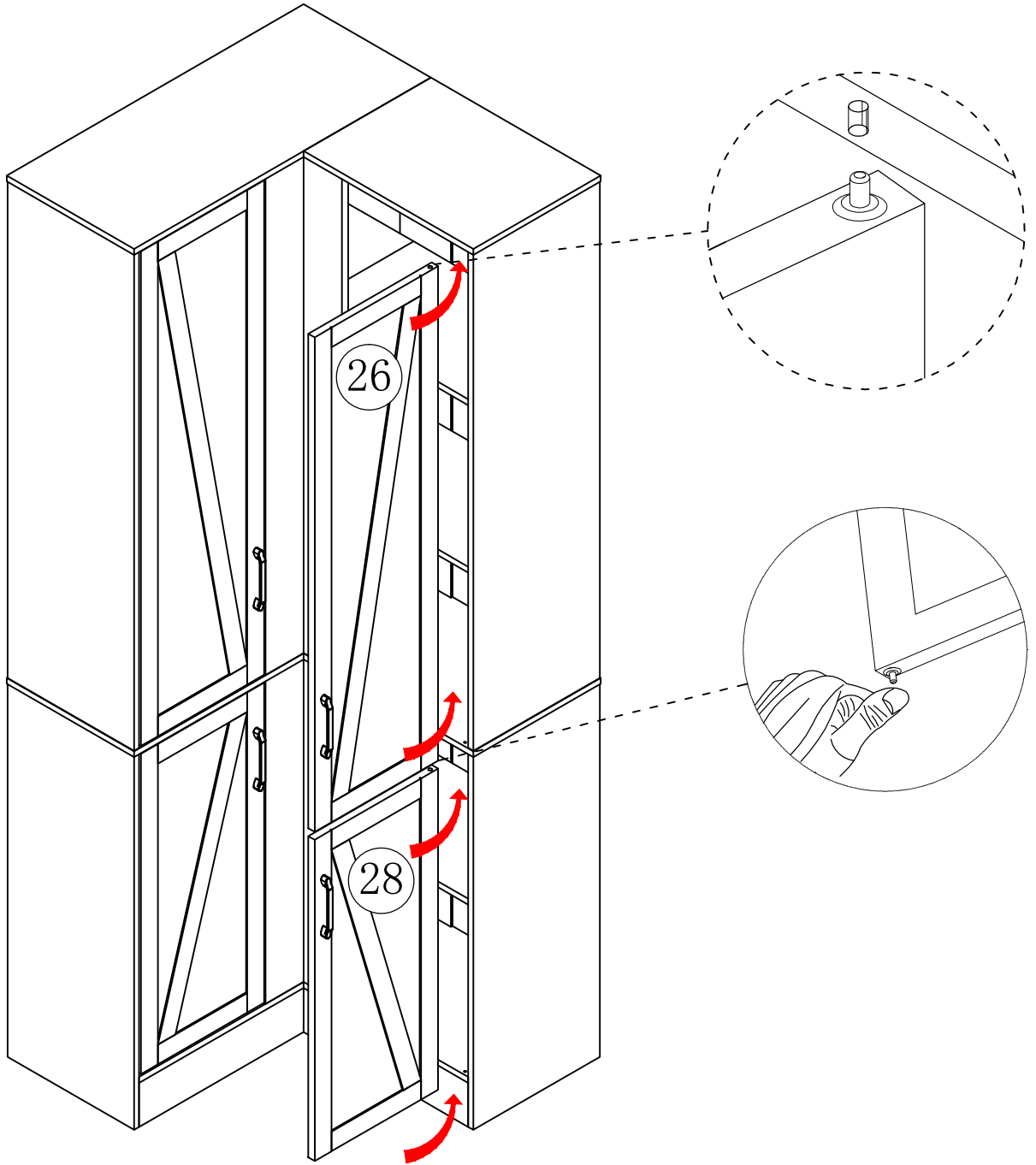
51



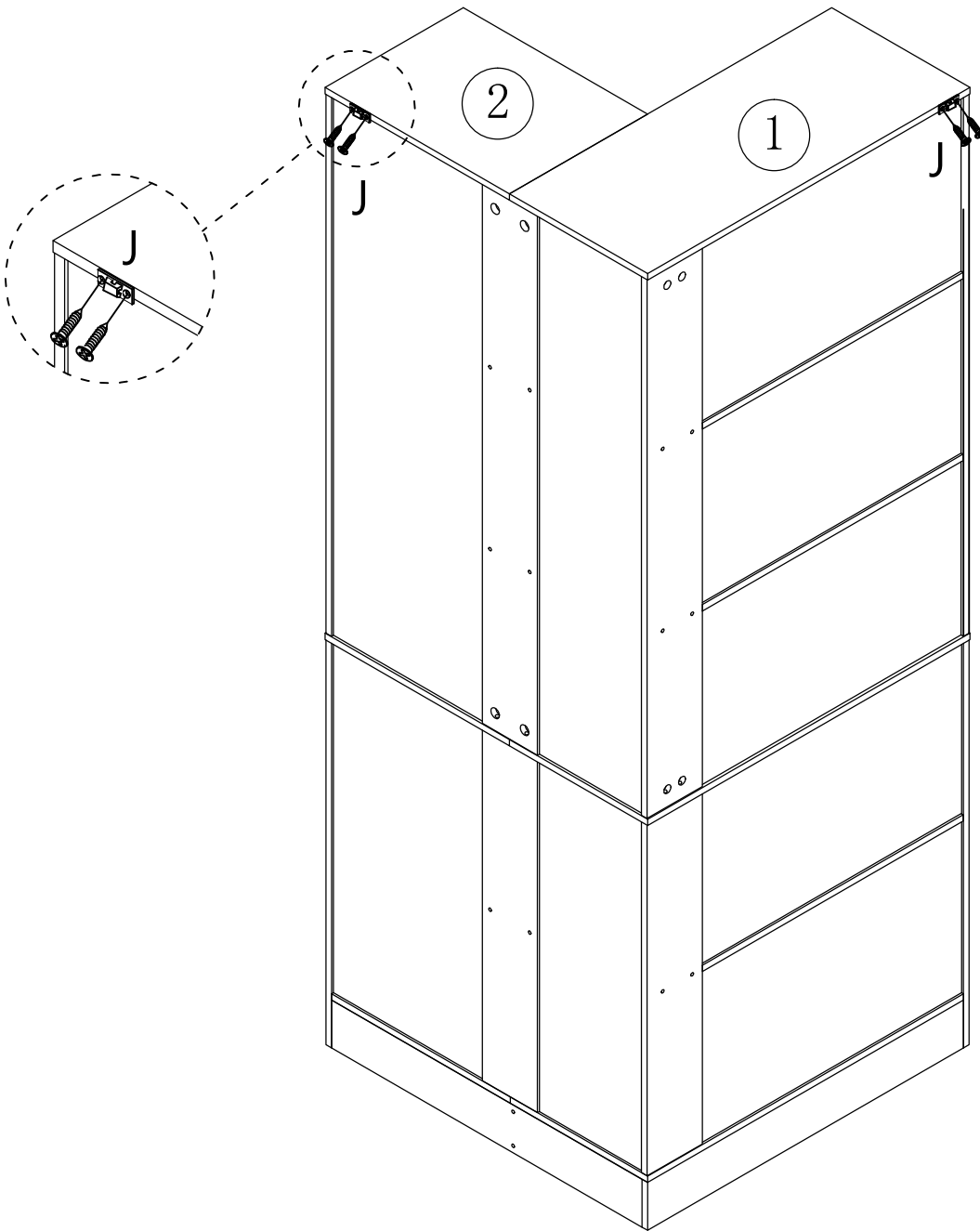
ST3*14



-  G  G
- X2 X4



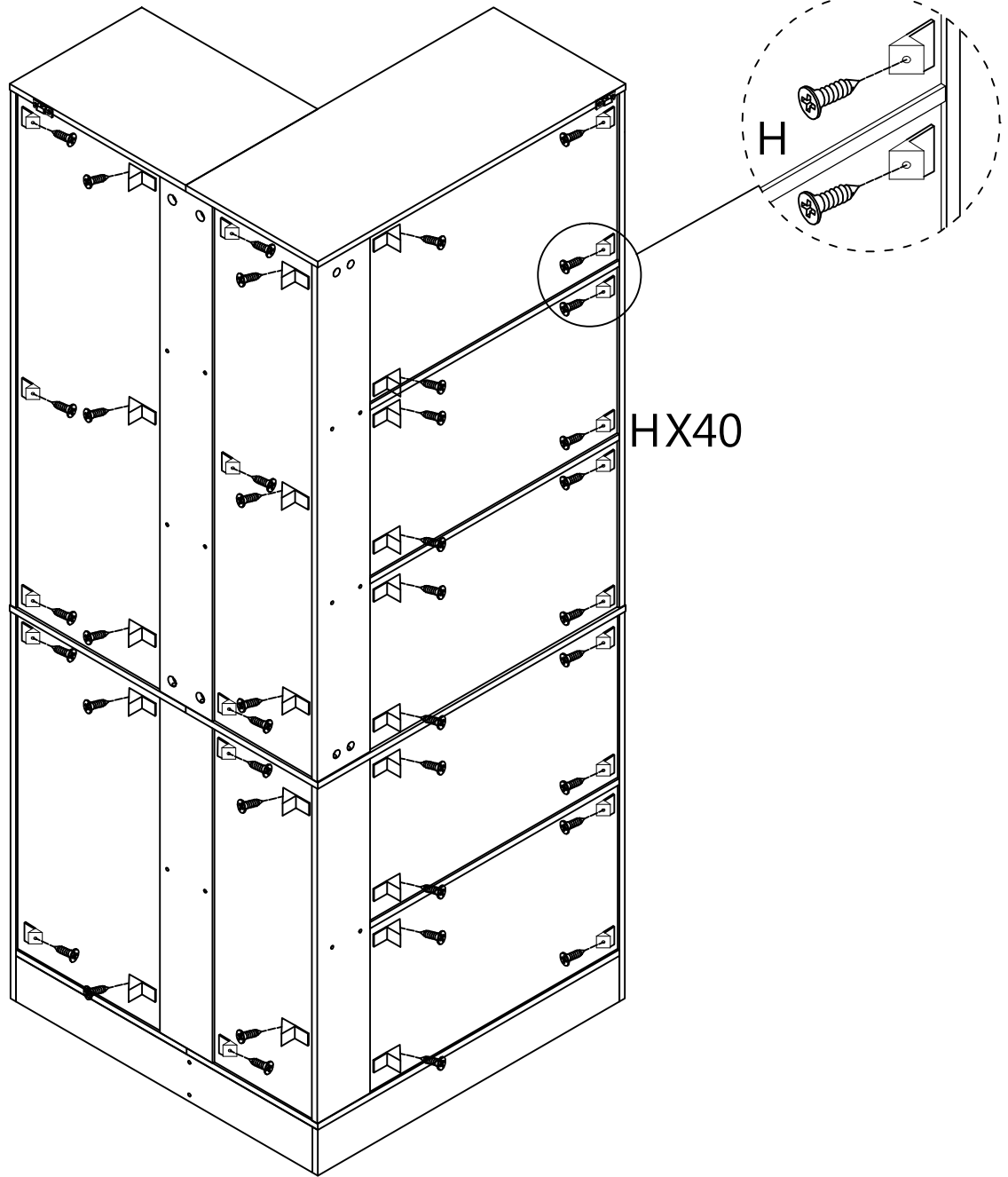


54



-  J
2pcs
-  J
4pcs

55

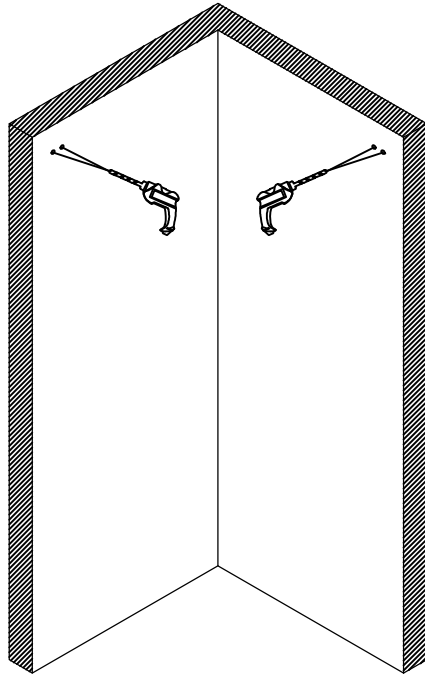


ST3.5*14

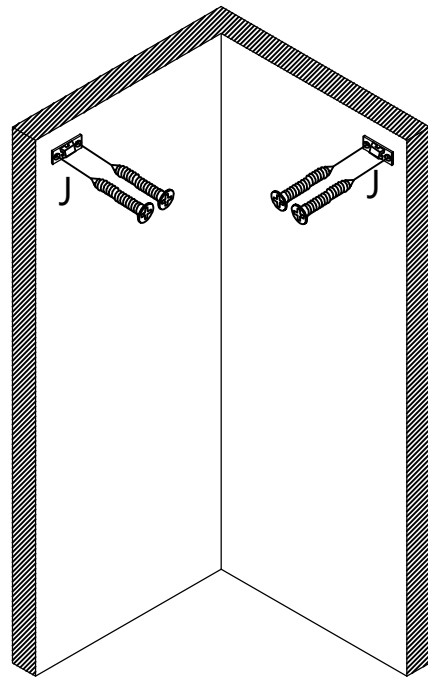
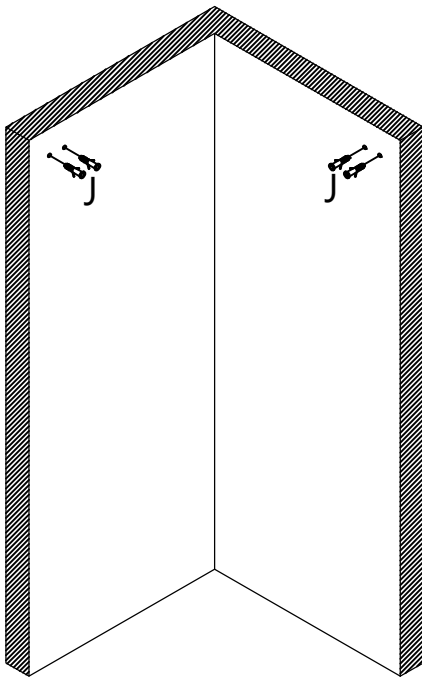


H H
40pcs 40pcs

56



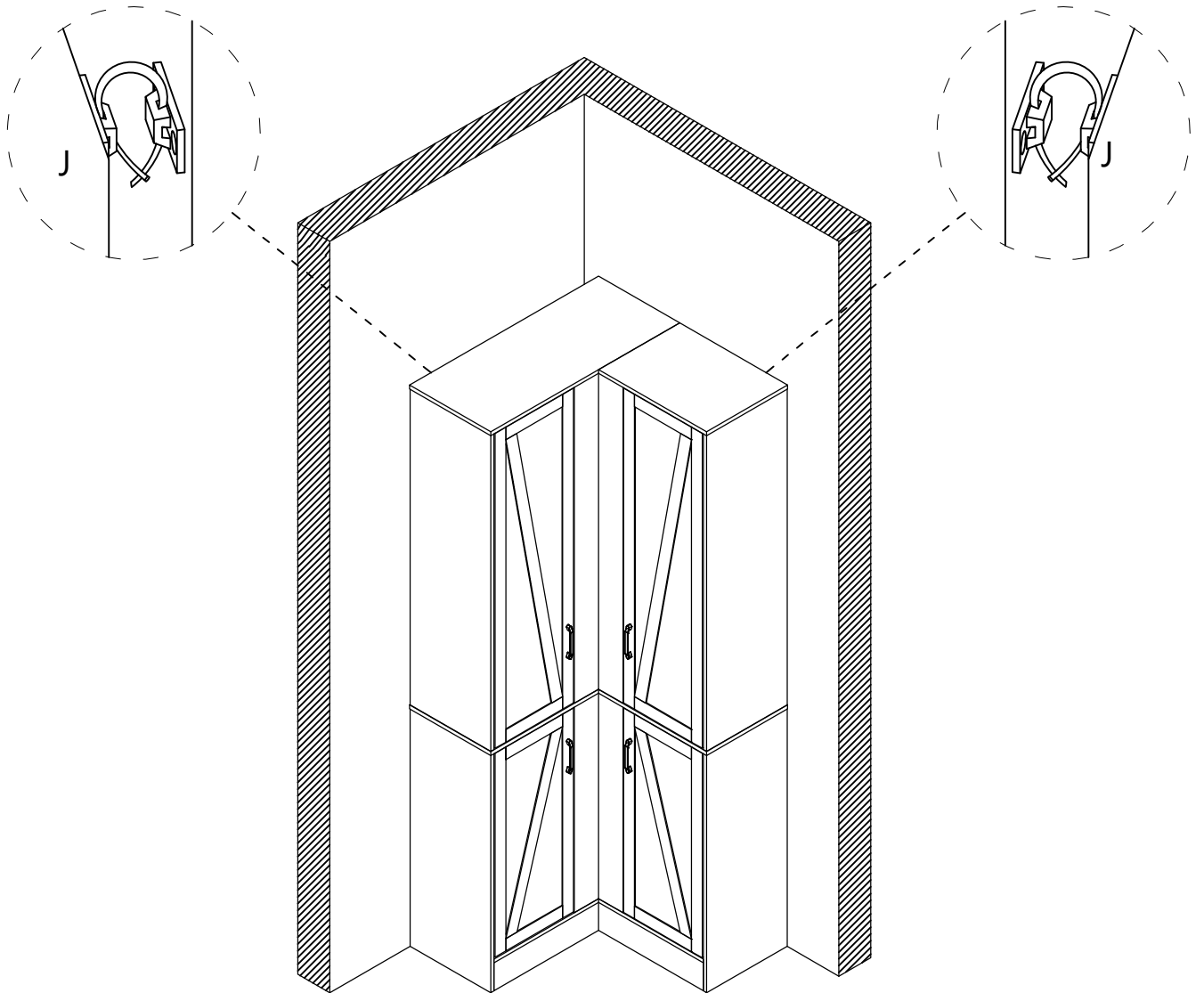
57




J
2pcs


J
4pcs

58



J
2pcs

Thank you for your support!

