

ASSEMBLY INSTRUCTIONS

TOOLS REQUIRED:

Allen Wrench (supplied, part # D)

BEFORE YOU START:

1. Check the parts against the parts list to make sure all items are presented.
2. Assemble your furniture on a soft, flat surface to avoid scratching the finish.
3. **CAUTION:** Do not over tighten screws, nuts or bolts during assembly.
4. Your furniture may require occasional tightening.

INSTRUCTIONS:

1. Put the side frame upside down on a clean soft surface.
2. Attach the top frame and the shelves to the side frame using Bolt (A), Lock Washer (B) and Flat Washer (C) and tighten with the Allen Wrench (D). As Shown in Diagram 1 and Diagram 2. Note: the top shelf has an over hang. All shelves are interchangeable. Make sure finish surface is facing upwards.
3. Place the plastic covers (E) to cover bolt holes. As Shown in Diagram 3.

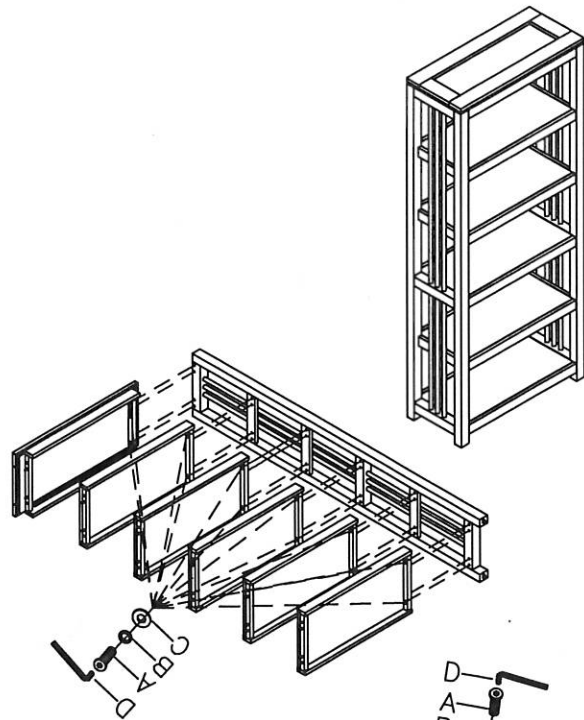


Diagram 1

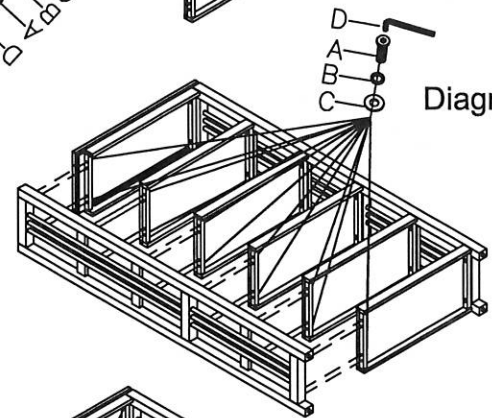


Diagram 2

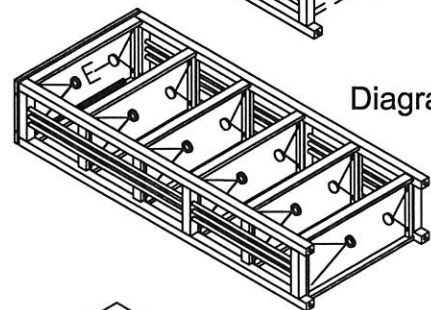
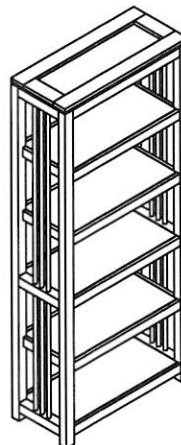



Diagram 3



NO.	Hardware List	Q'ty
A	 Bolt 1/4"*1-1/8"	24pcs
B	 Lock Washer 1/4"*13mm	24pcs
C	 Flat Washer 1/4"*16mm	24pcs
D	 Allen Wrench (1/4")	1pc
E	 Plastic Cover (3/4")	24pcs