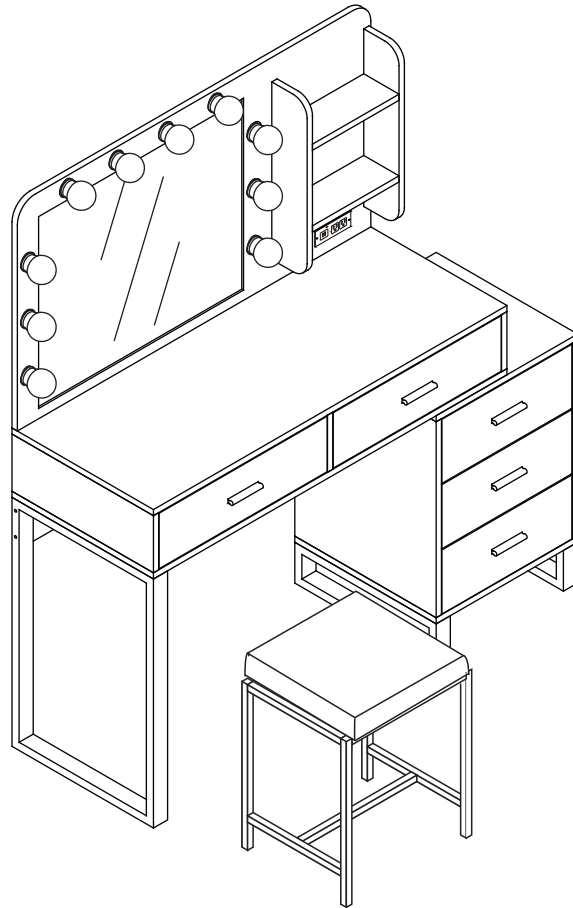


Installation Instruction



THIS INSTRUCTION BOOKLET CONTAINS IMPORTANT SAFETY INFORMATION . PLEASE READ AND KEEP FOR FUTURE REFERENCE .

Do Not Return This Product!

Contact our customer service team
for help first

service0530@163.com

If for any reason there is anything missing,
damaged, incorrect or different from what
you expected.

PLEASE contact us for free replacement
instead of hassle of return or other trouble.



TWO PEOPLE ARE NECESSARY
FOR THE ASSEMBLY OF THIS
PRODUCT.

**ASSEMBLY
REQUIREMENTS**

2 HOURS
Assembly Time
(Approximate)

2 Persons Assembly



Tools Required (Not Provided):

Phillips Screwdriver 

ASSEMBLY PREPARATION

1. Remove all packaging materials, staples and packing straps from the carton.
2. Refer to Parts List and Hardware List and ensure they are complete before you start assembly.
3. Place all parts on a clean, flat and soft surface (e.g. carpet or rug) to prevent parts from getting scratched.

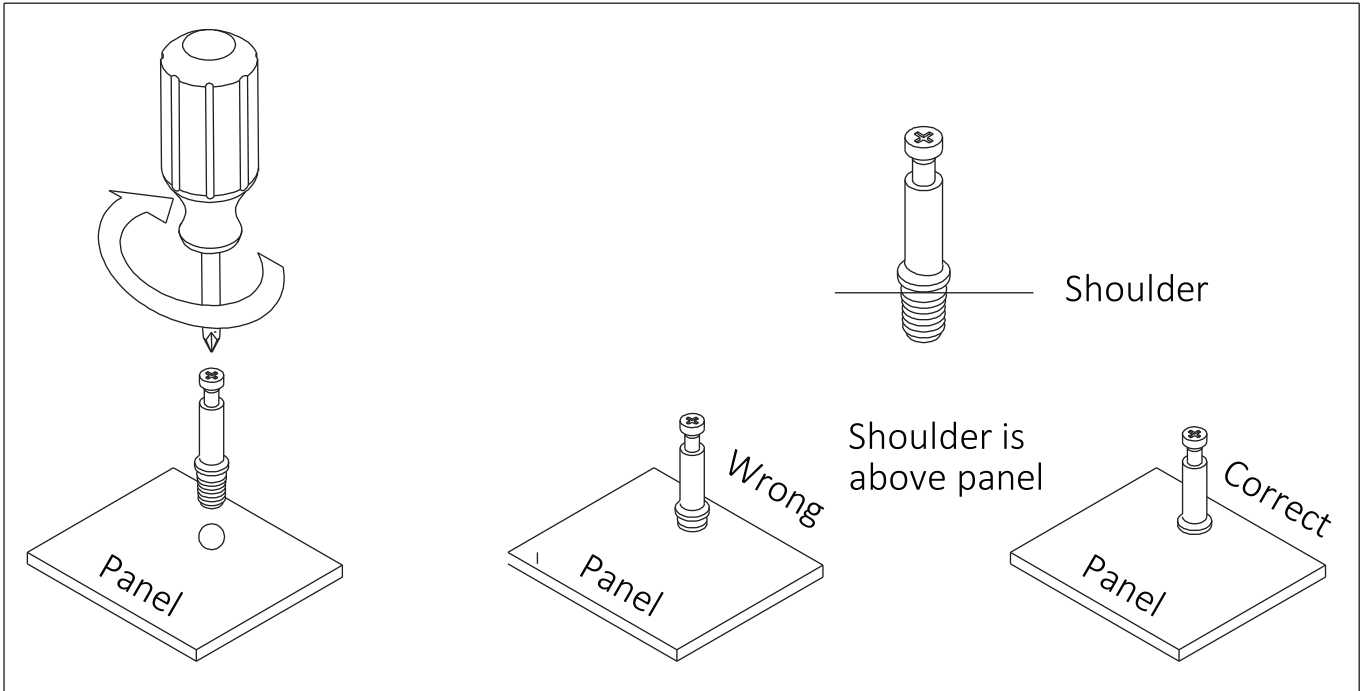
SAFETY PRECAUTIONS

1. KEEP ALL HARDWARE PARTS OUT OF REACH OF CHILDREN.
2. DISPOSE PLASTIC PACKAGING MATERIAL IMMEDIATELY TO AVOID ANY RISK OF SUFFOCATION TO CHILDREN AND ANIMALS.

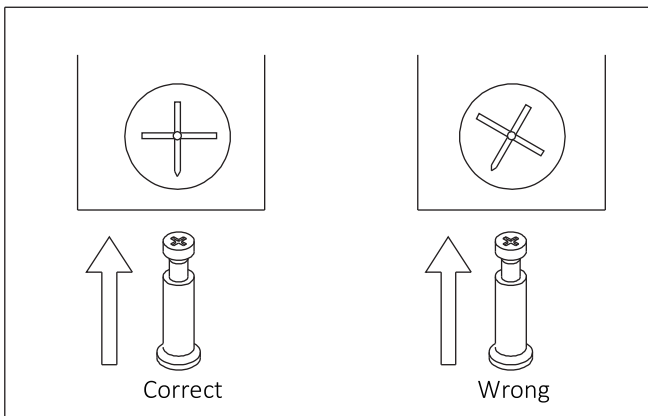
TIPS FOR ASSEMBLY:

1. Allow ample room for assembly and in close proximity to where product will be placed.
2. Assemble the product on a surface that does not scratch or damage the exterior gloss and finish of the furniture.
3. Please check all of the parts and quantities are included before assembly. Contact customer service for missing parts.
4. Identify all of the parts, hardware and quantities required for each step.
5. During assembly, do not over-tighten any fittings as this may cause damage.
6. DO NOT USE POWER TOOLS TO ASSEMBLE THIS PRODUCT.
7. Always place the product on a flat surface.
8. Do not sit or stand on the partially assembled product; only use the product for which it is intended.

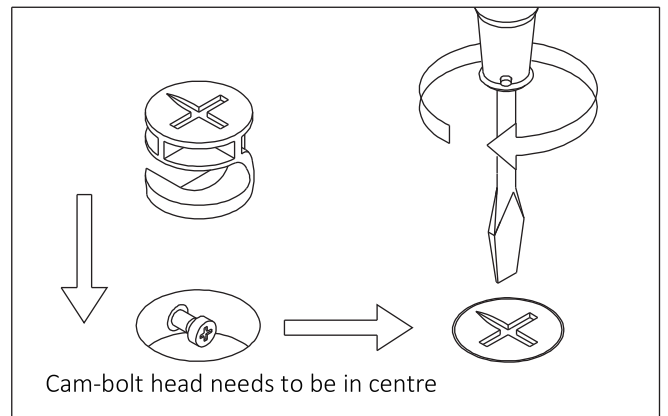
Instructions For Fastening CAM-BOLT AND CAM-LOCK



Attach the Cam-bolt to the specific pre-drilled holes on the panel. Use a Phillips Screwdriver to tighten Cam-bolt vertically until shoulder is flushed (on the same level) with panel. Do not over-tighten or under-tighten.



Align the arrow of the Cam-lock to the Cam-bolt head and insert the Cam-lock.



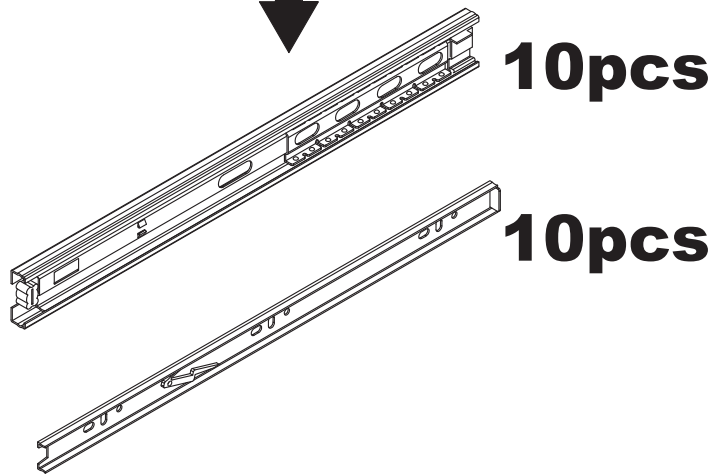
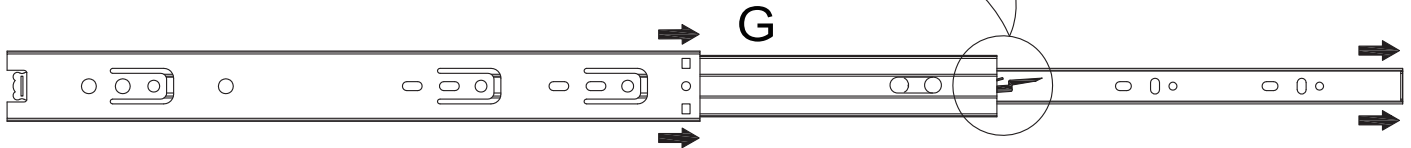
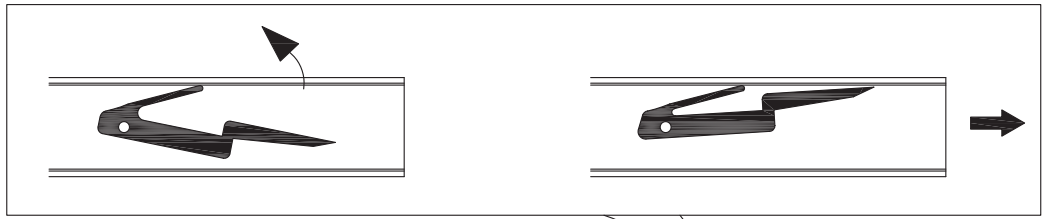
Use a Flat Screwdriver or Phillips Screwdriver to turn the Cam-lock clockwise one half a turn so it locks onto the head of the Cam-lock. Turn only until it is snug. Over-tightening could damage Cam-lock or/and Cam-bolt.

1 X 1	2 X 1	3 X 1	4 X 1	5 X 1	
6 X 1	7 X 1	8 X 1	9 X 1	10 X 1	
11 X 1	12 X 2	13 X 1	14 X 1	15 X 2	
16 X 1	17 X 2	18 X 1	19 X 2	20 X 2	
21 X 2	22 X 2	23 X 2	24 X 3	25 X 3	
26 X 3	27 X 3	28 X 3	29 X 2	30 X 2	31 X 1

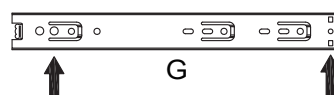
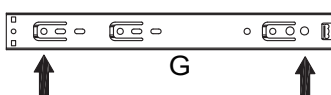
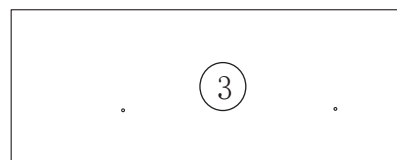
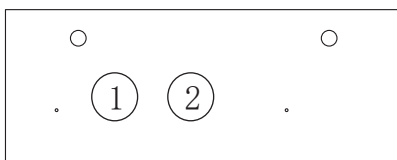
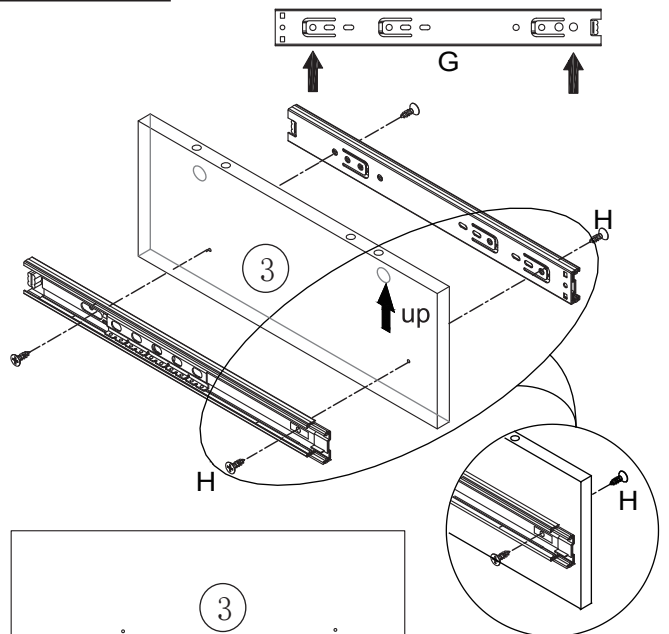
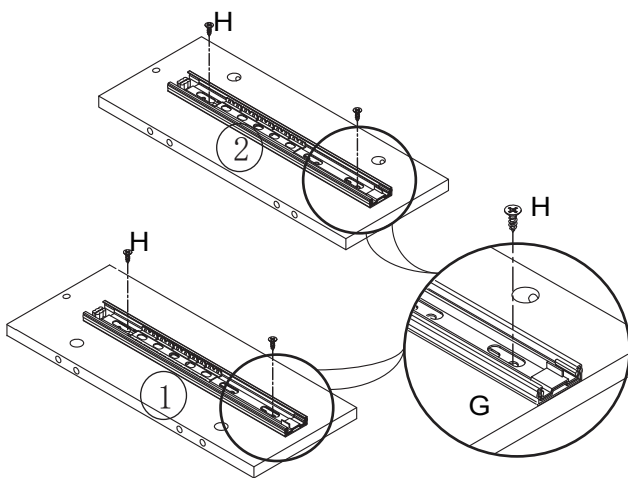
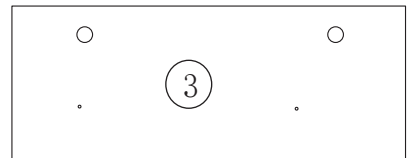
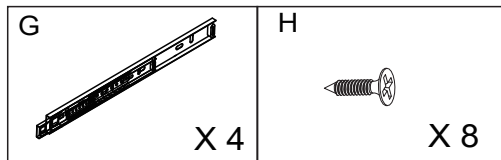
A X 44	B X 44	C X 33	D 4*35mm X 39	E 6*25mm X 4		
F 6*30mm X 6	G X 10	H X 40	J 6*70mm X 2	K X 2		
L X 3	M 6*12mm X 12	N X 1	O 4*40mm X 4	P X 5	Q 4*18mm X 10	
R 6*40mm X 6	S X 1	T X 10	U X 2	V X 1	W X 1	X X 1

Hardware List

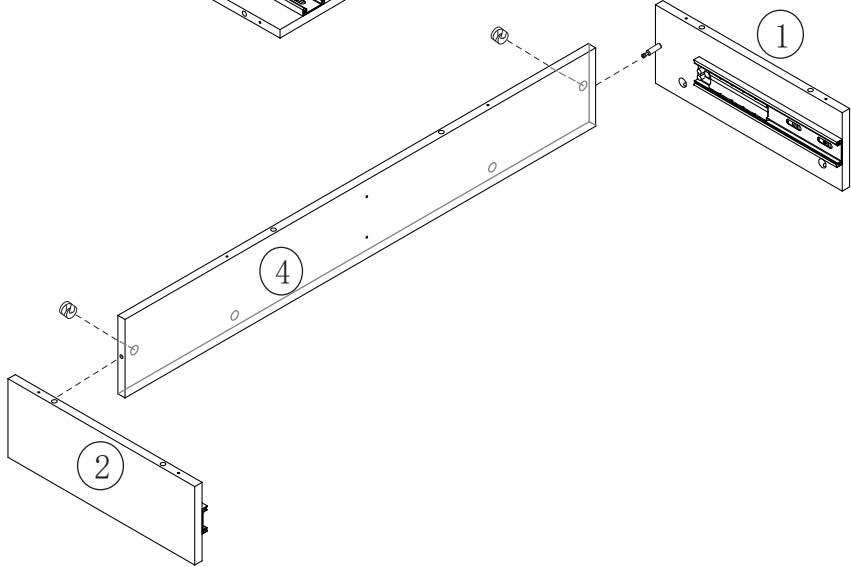
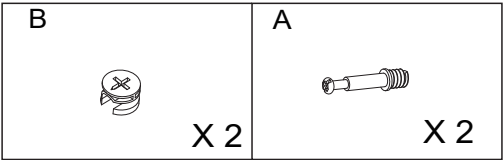
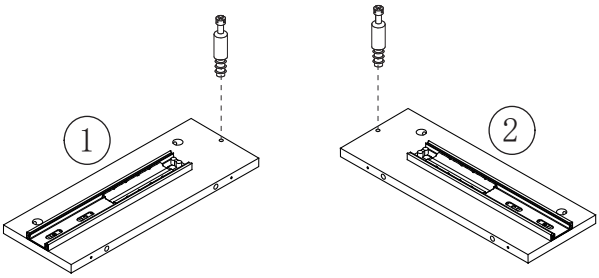
Push plastic lever and slide out piece to be used for part | and J later



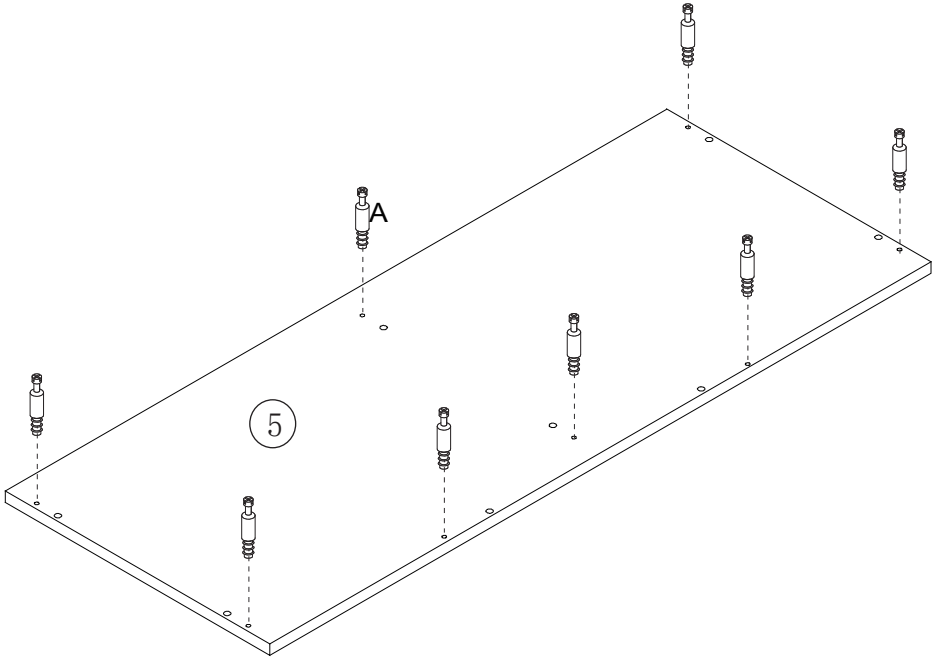
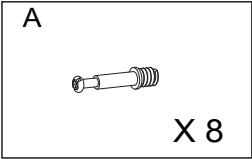
Step 1



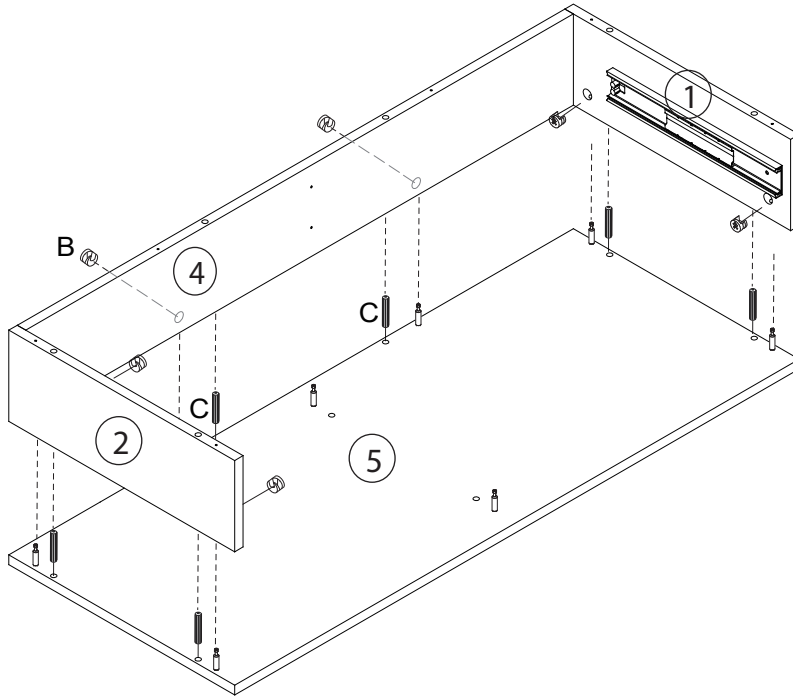
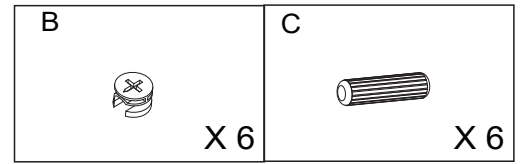
Step 2



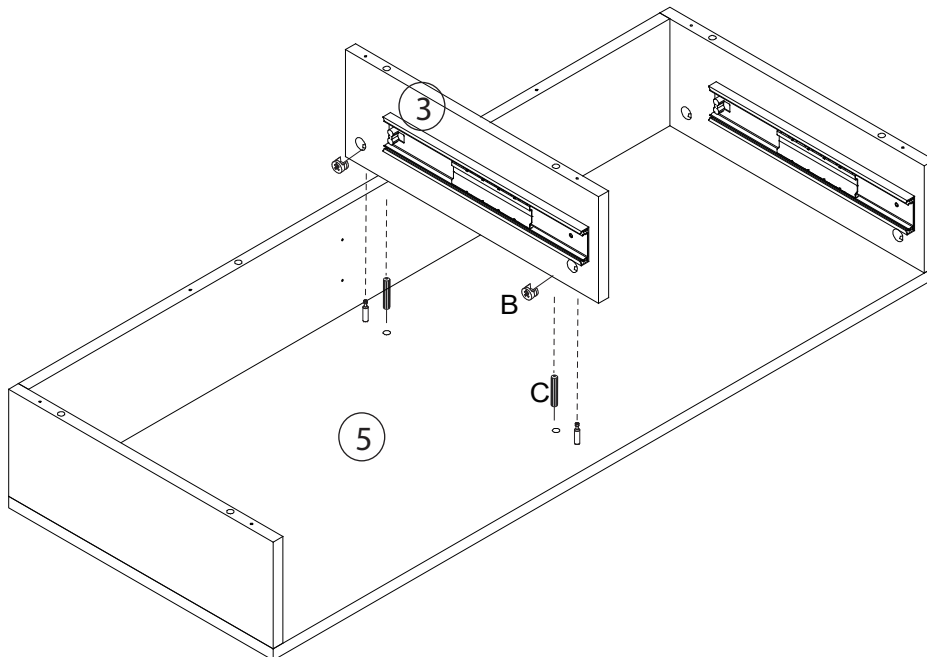
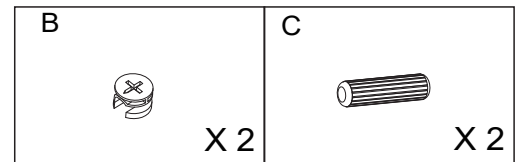
Step 3



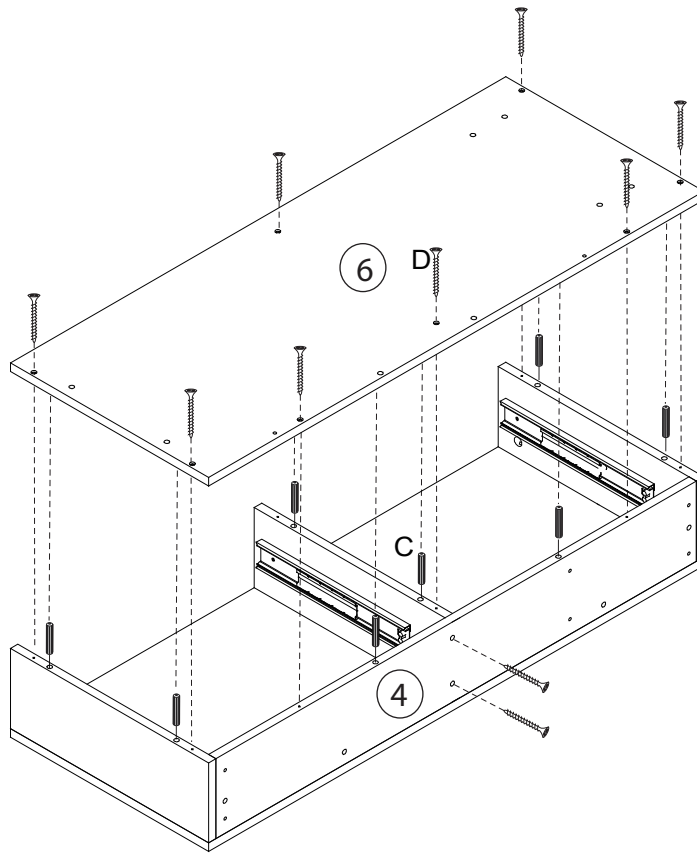
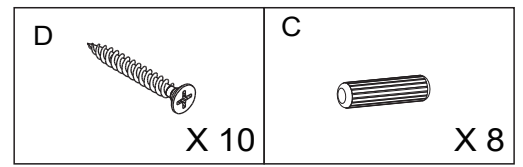
Step 4



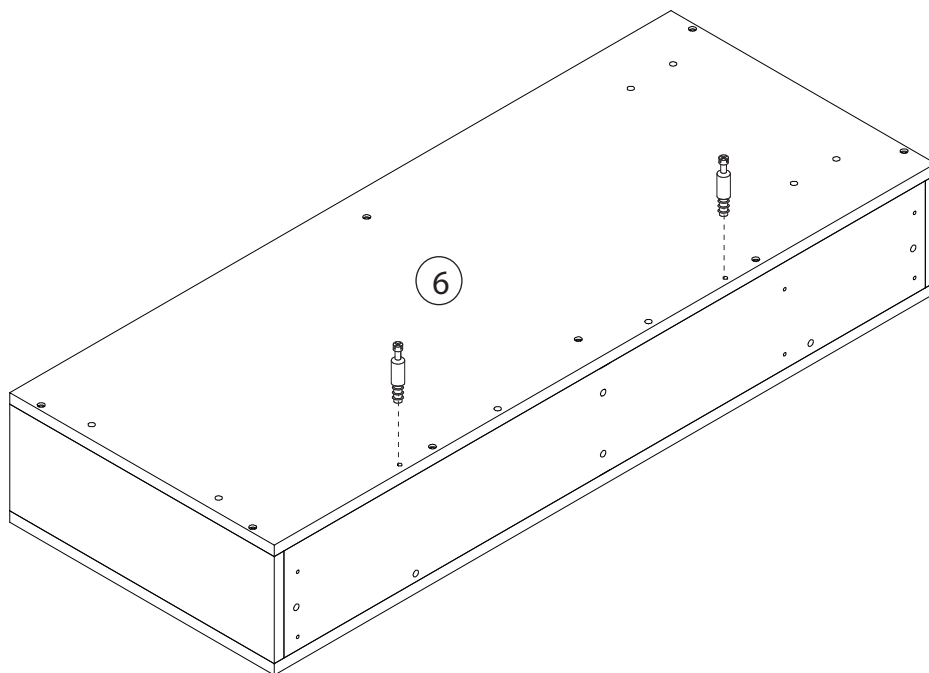
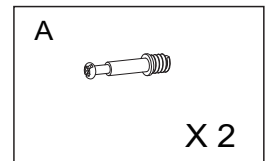
Step 5




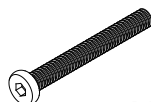

Step 6

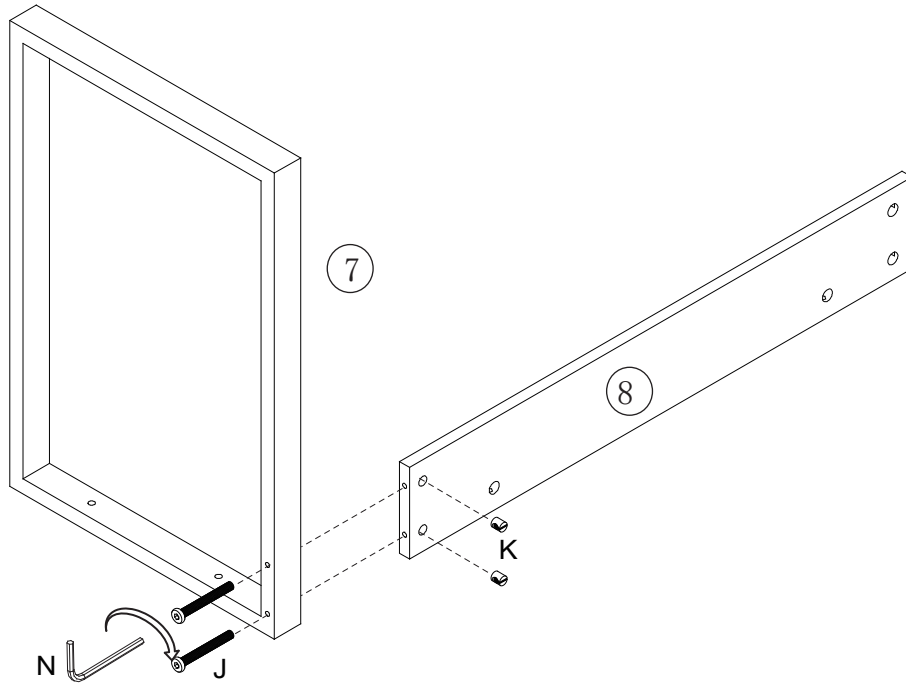


Step 7

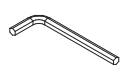





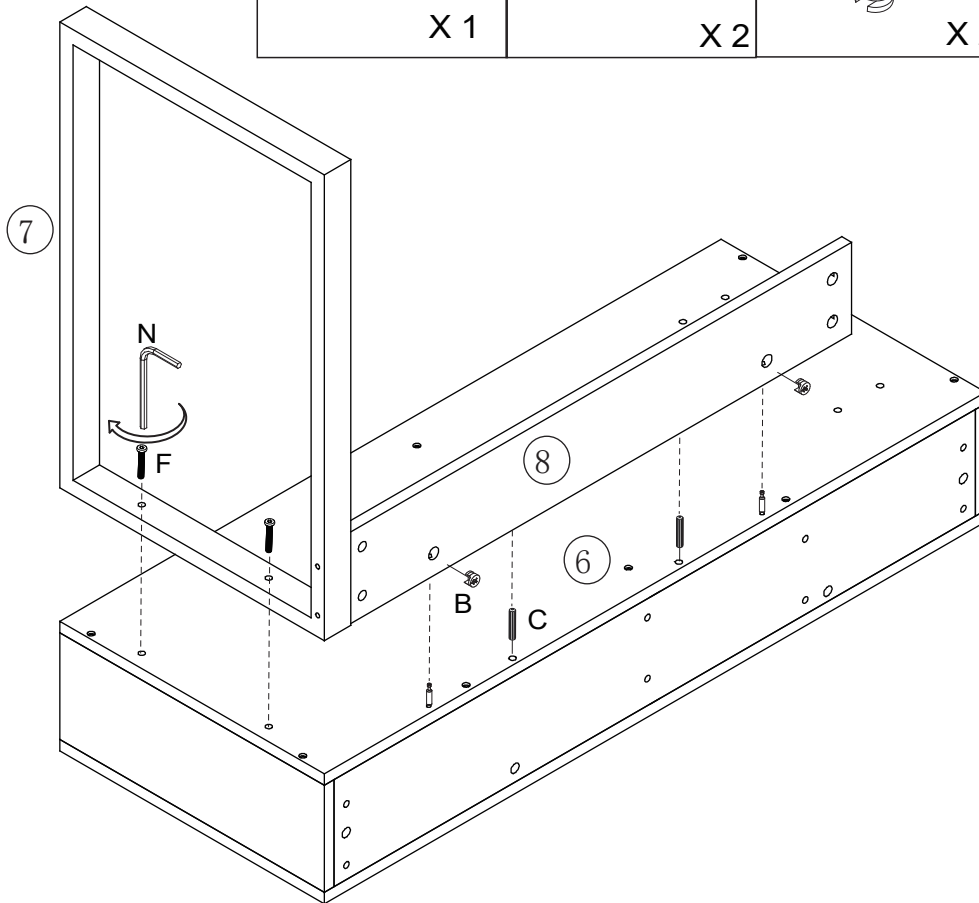
Step 8

N	J	K
		
X 1	X 2	X 2

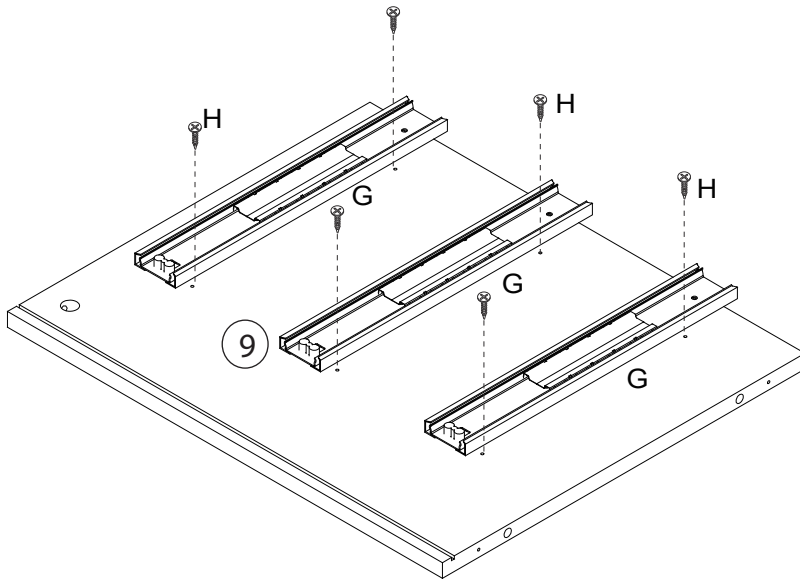
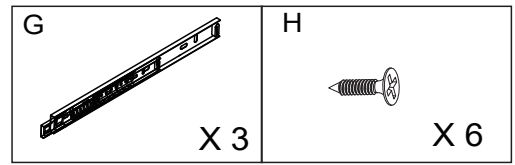
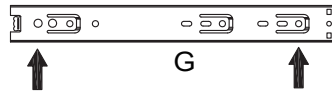


Step 9

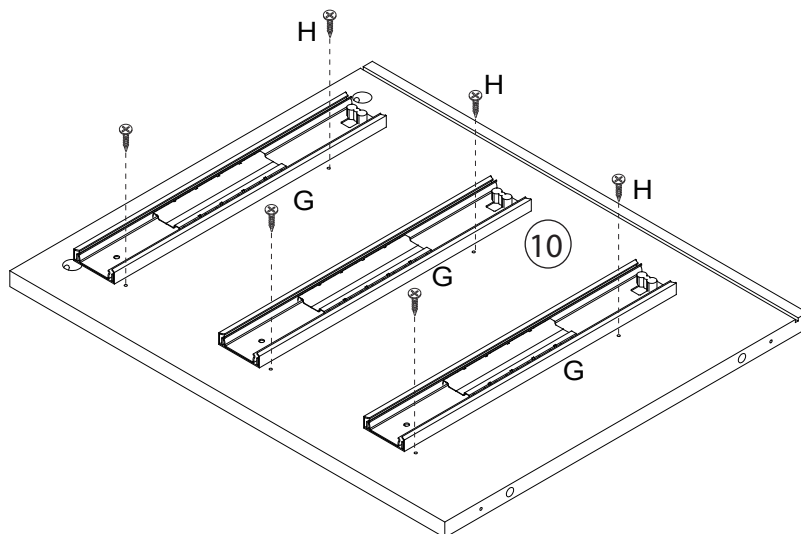
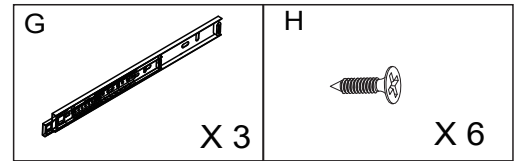
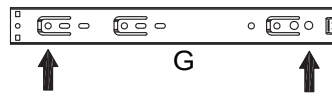
N	F	B	C
			
X 1	X 2	X 2	X 2



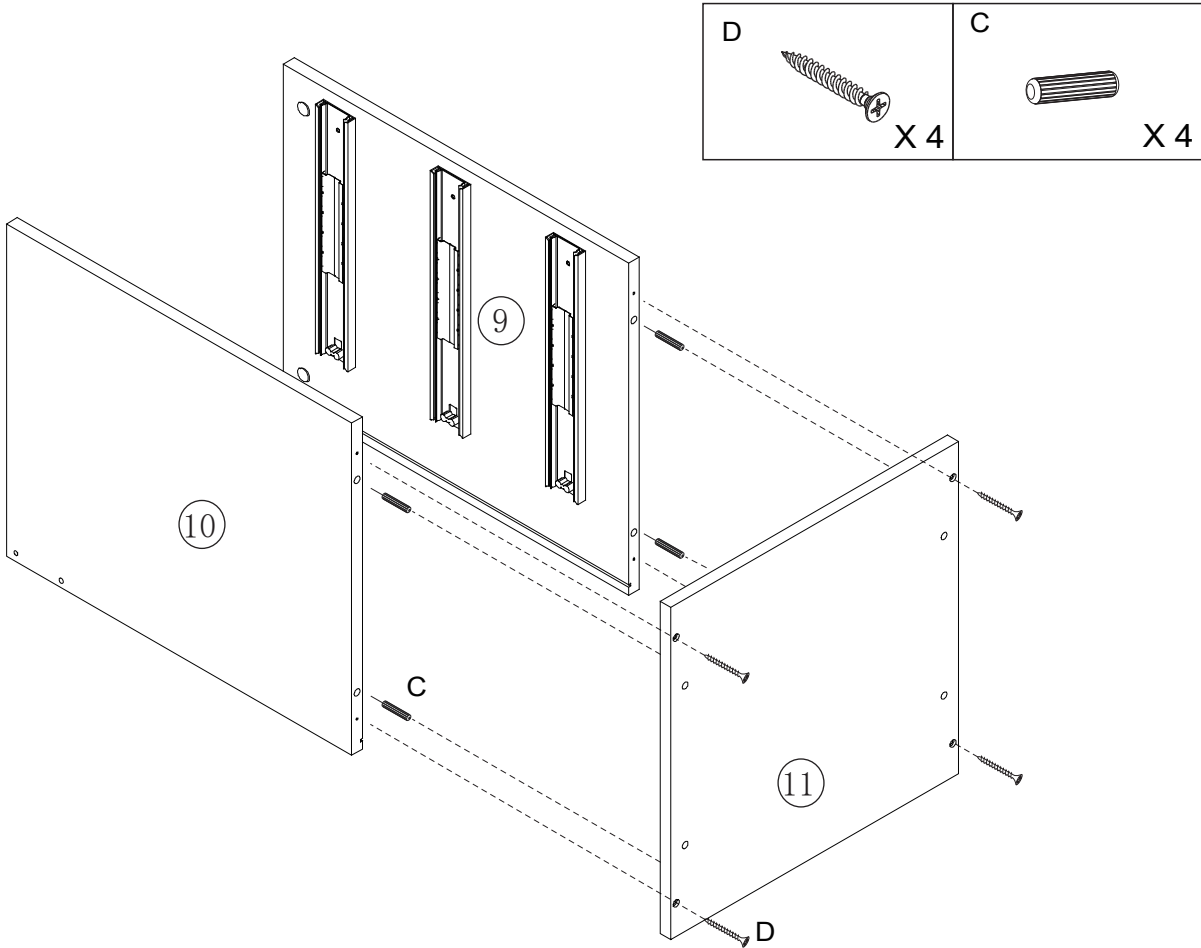
Step 10



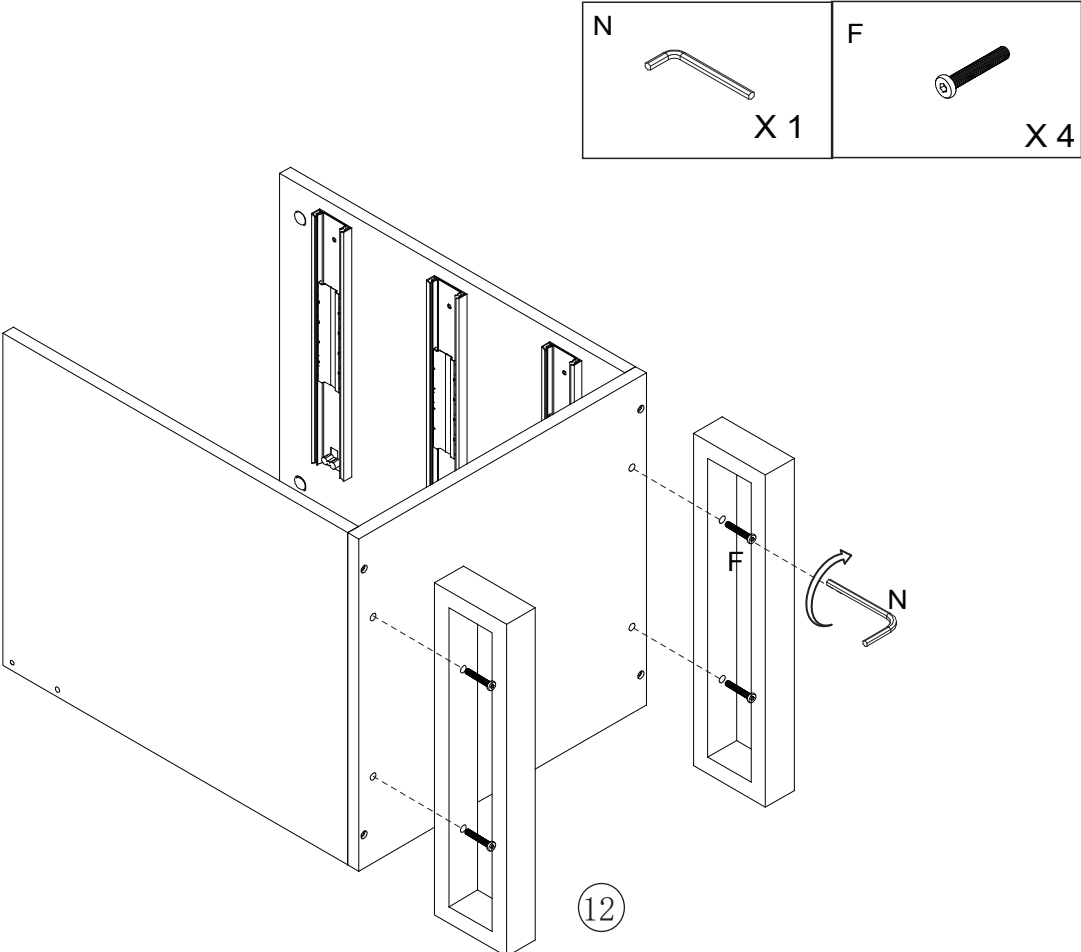
Step 11



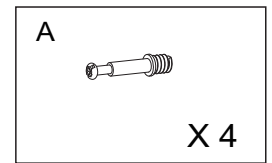
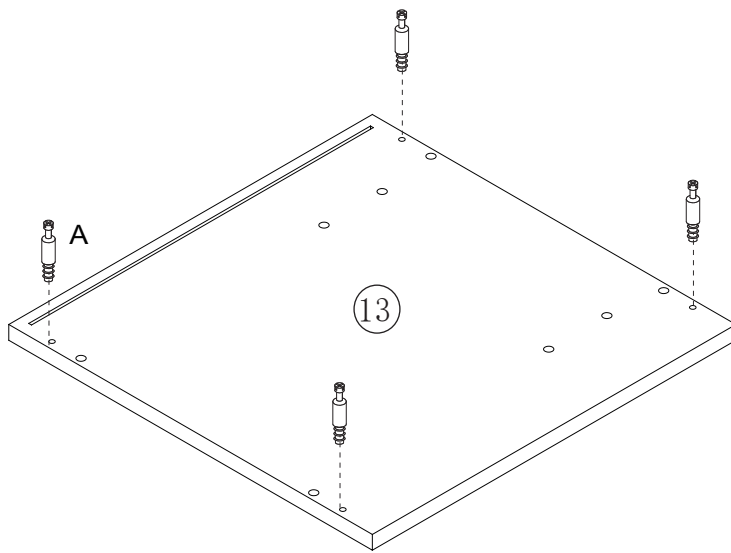
Step 12



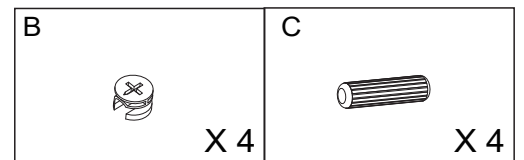
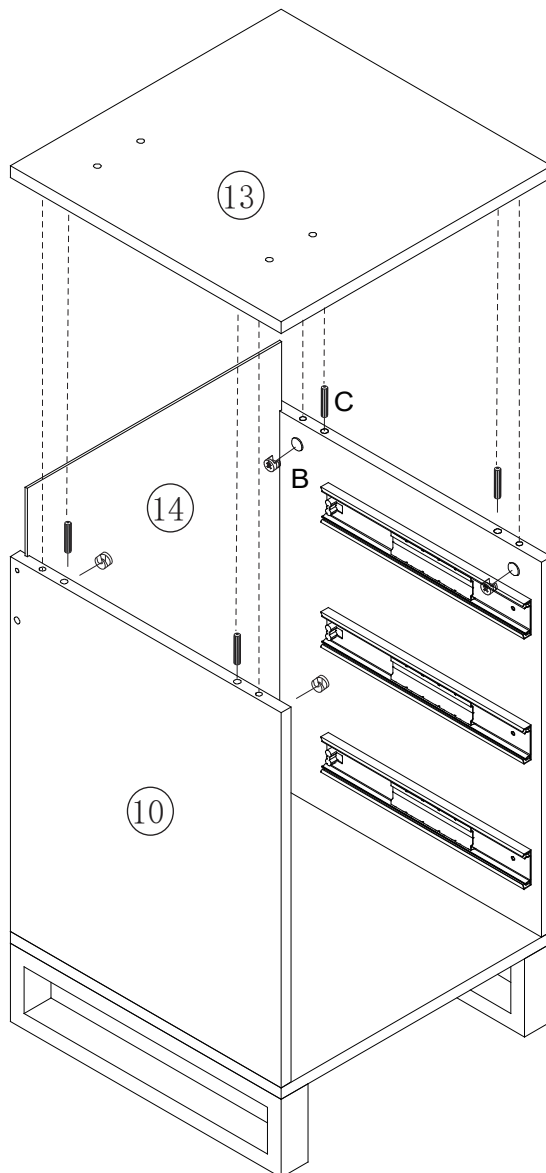
Step 13



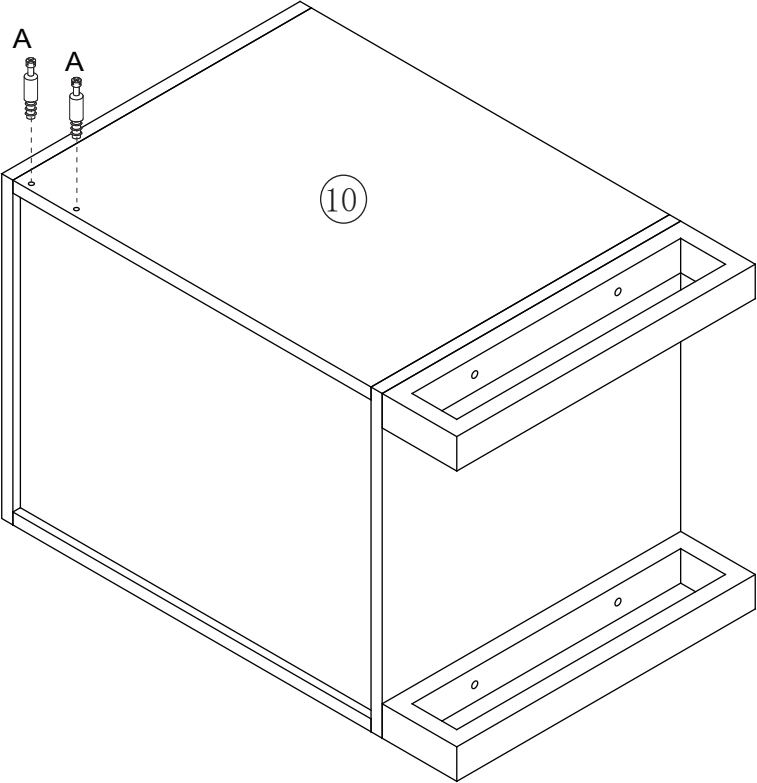
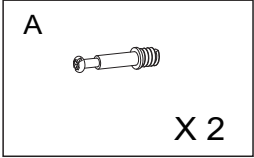
Step 14



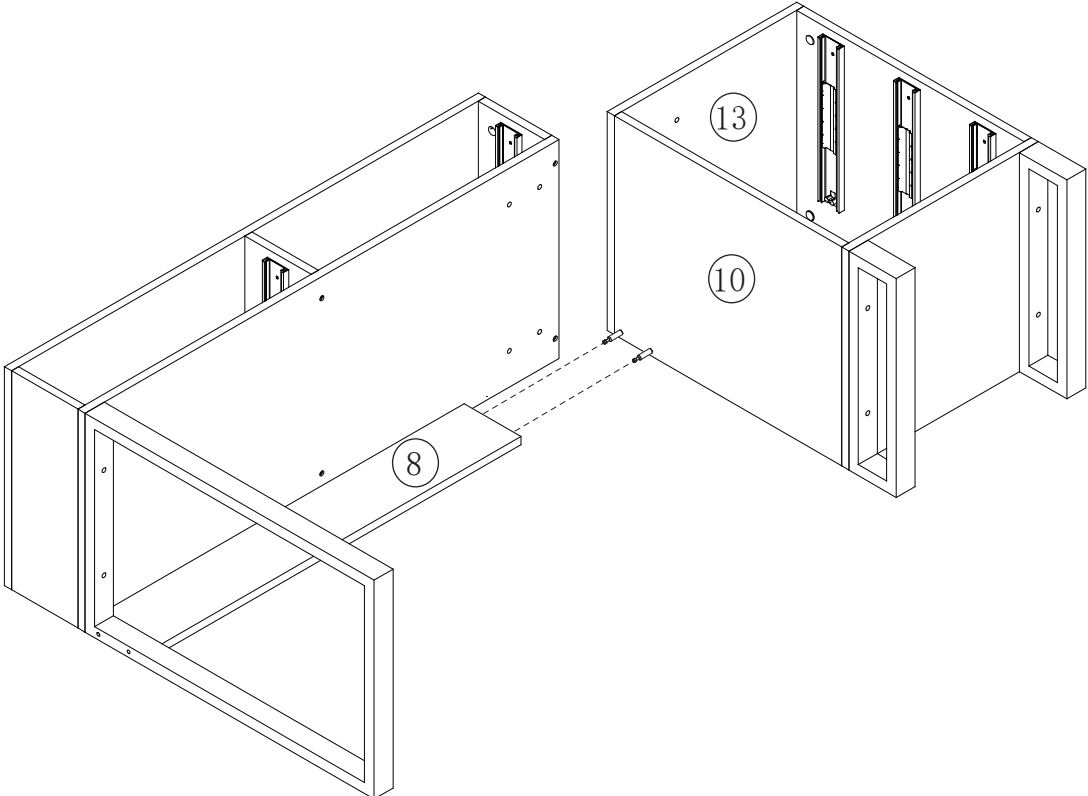
Step 15



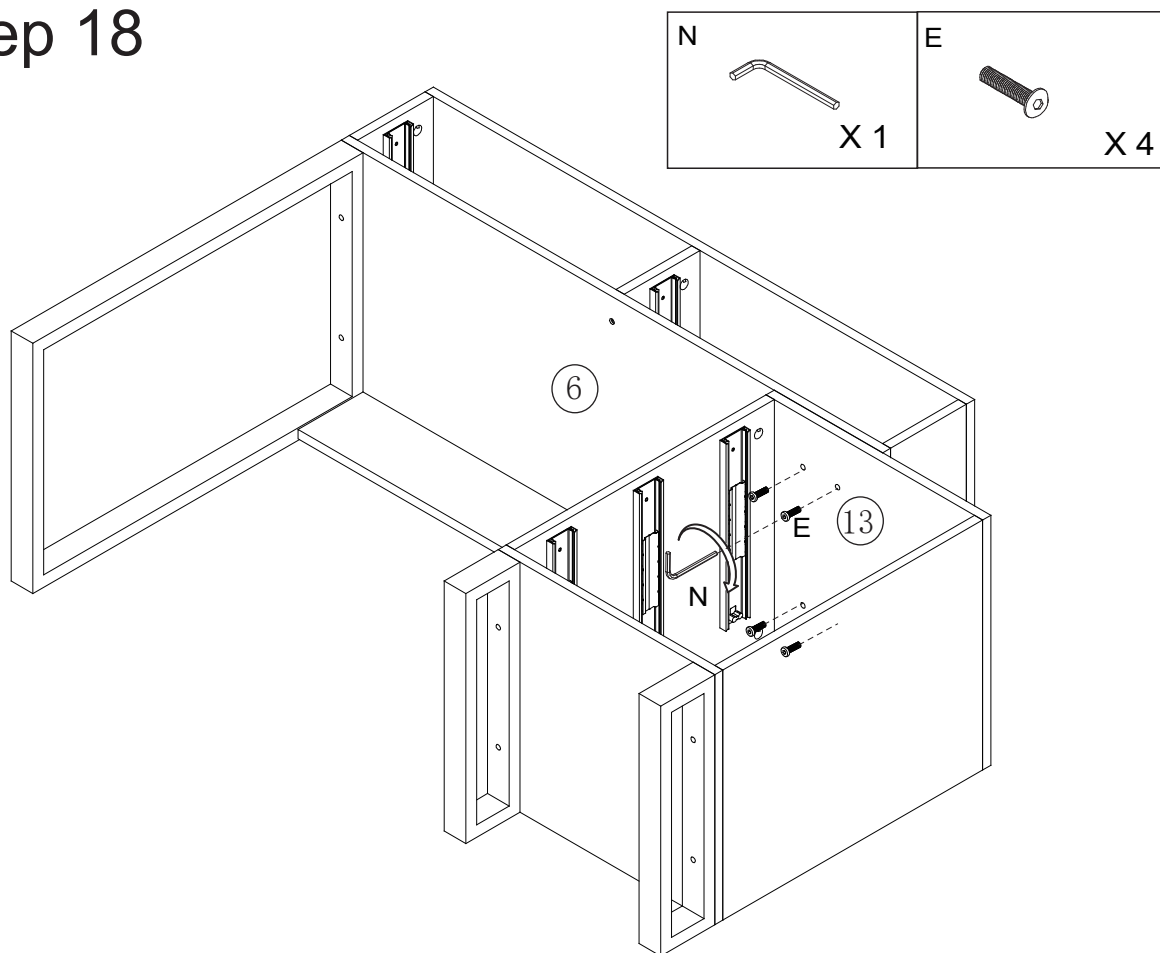
Step 16



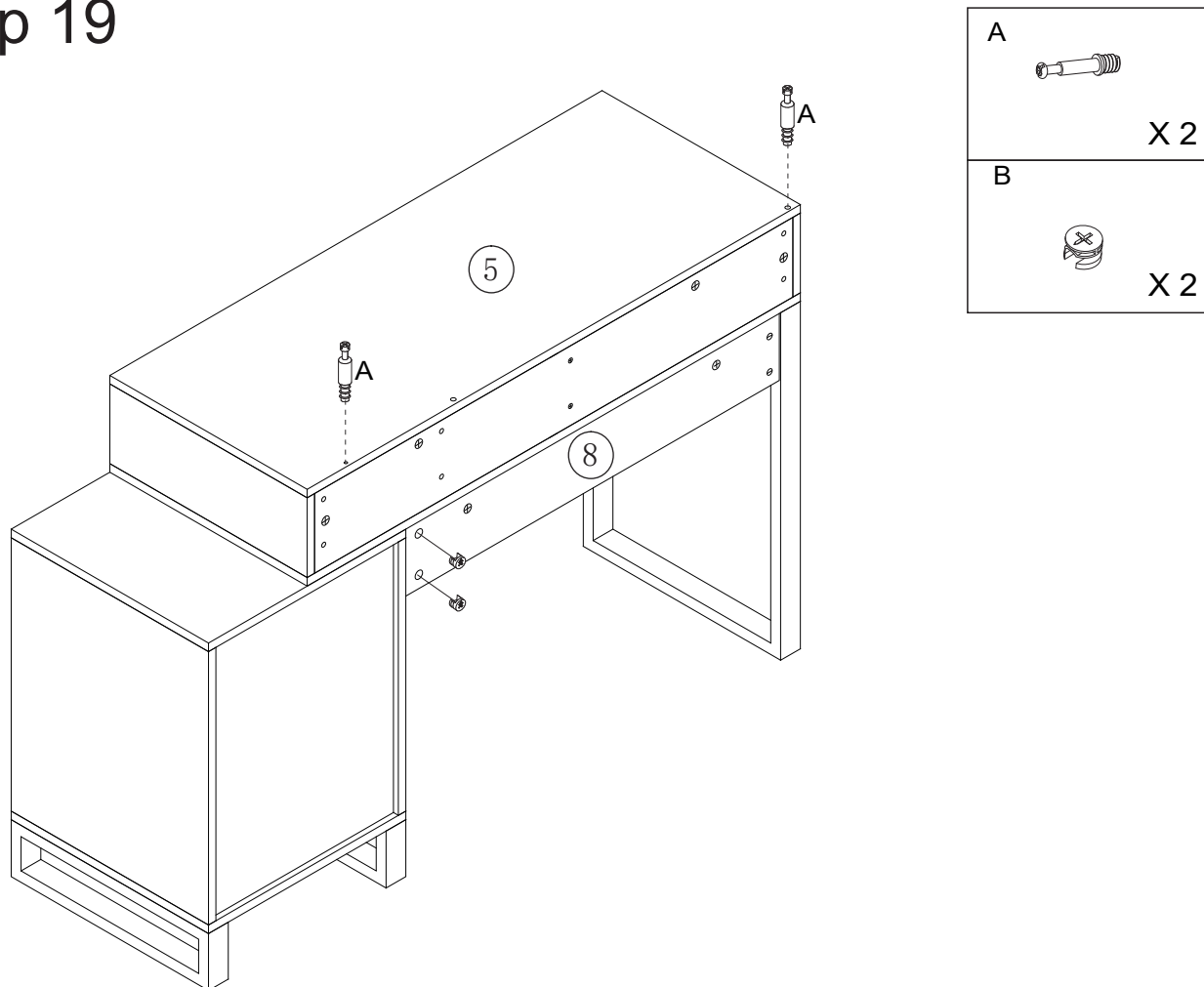
Step 17



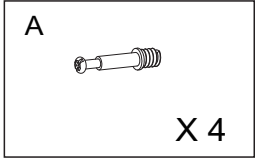
Step 18



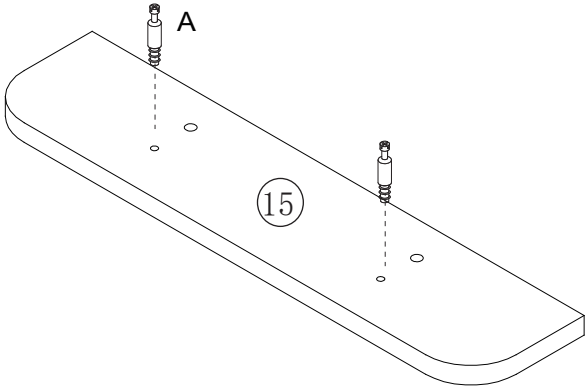
Step 19



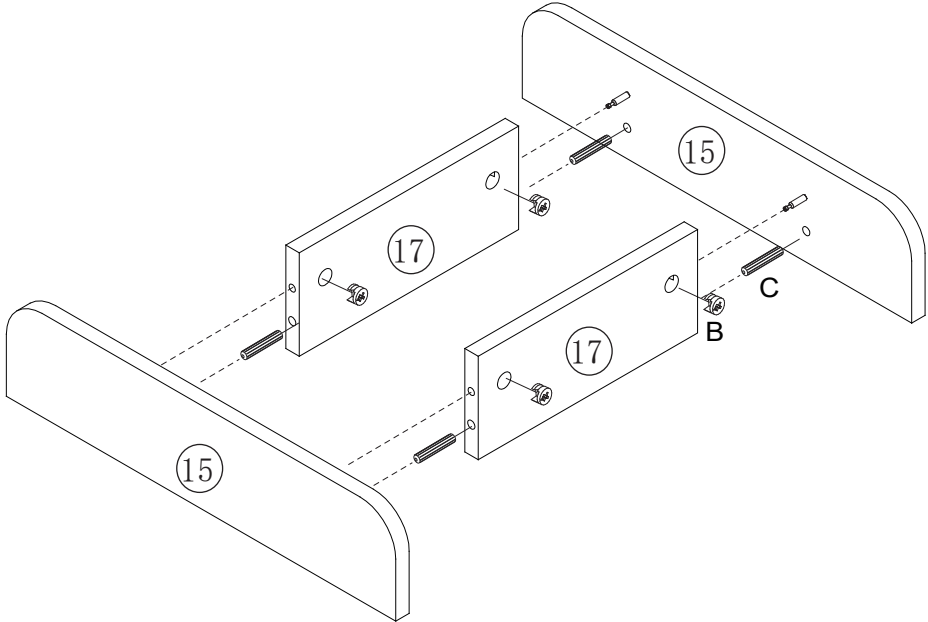
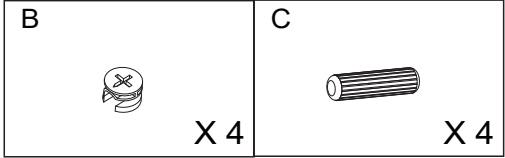
Step 20



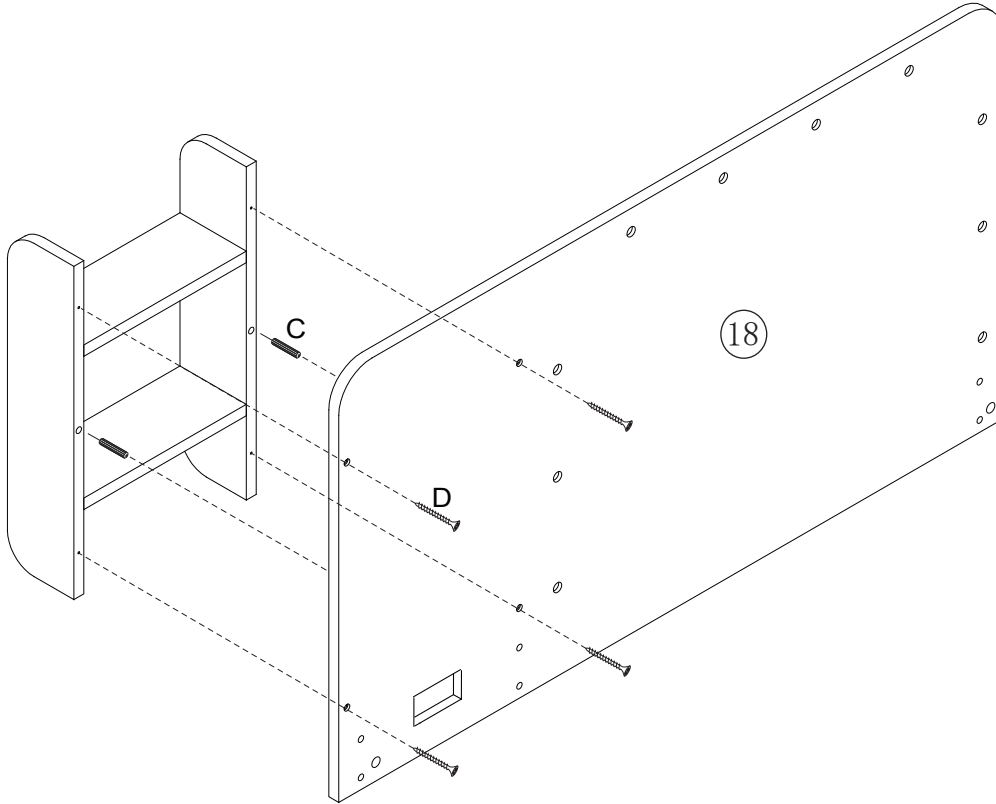
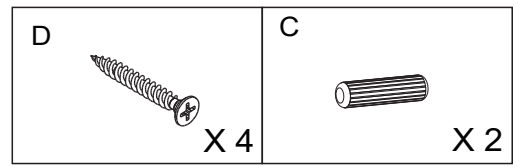
X 2



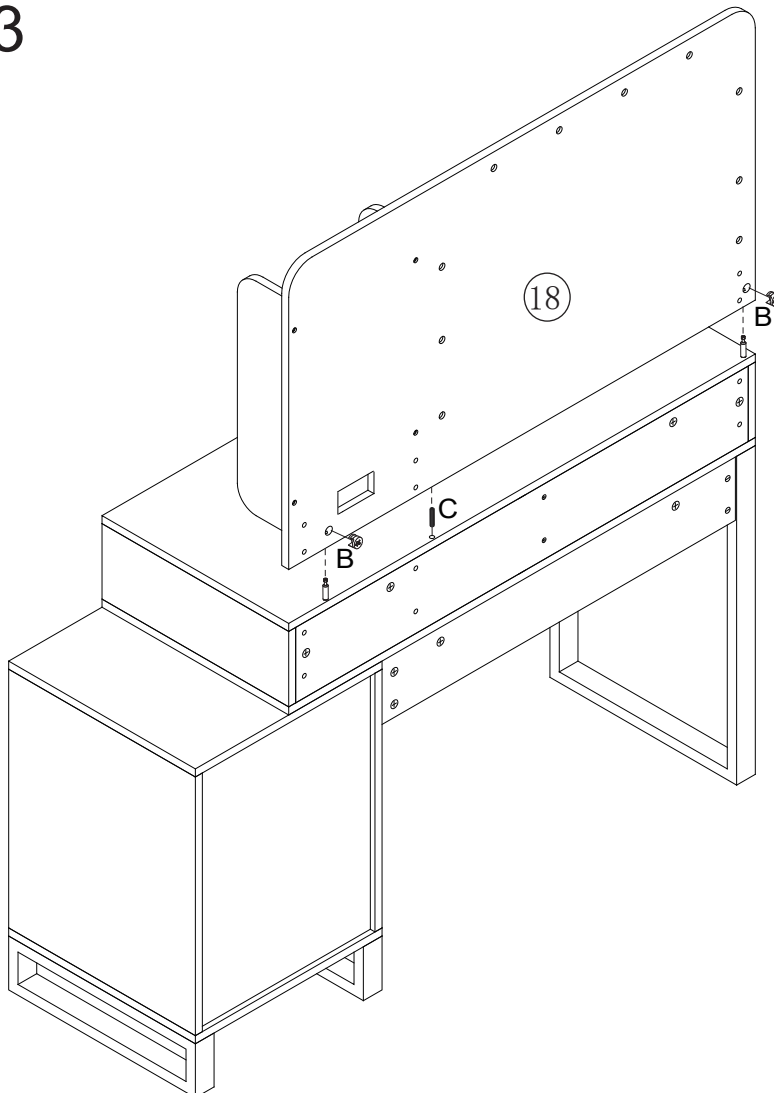
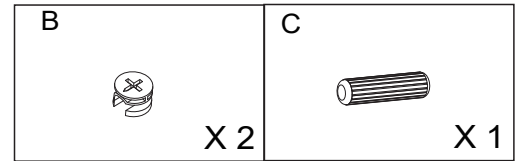
Step 21



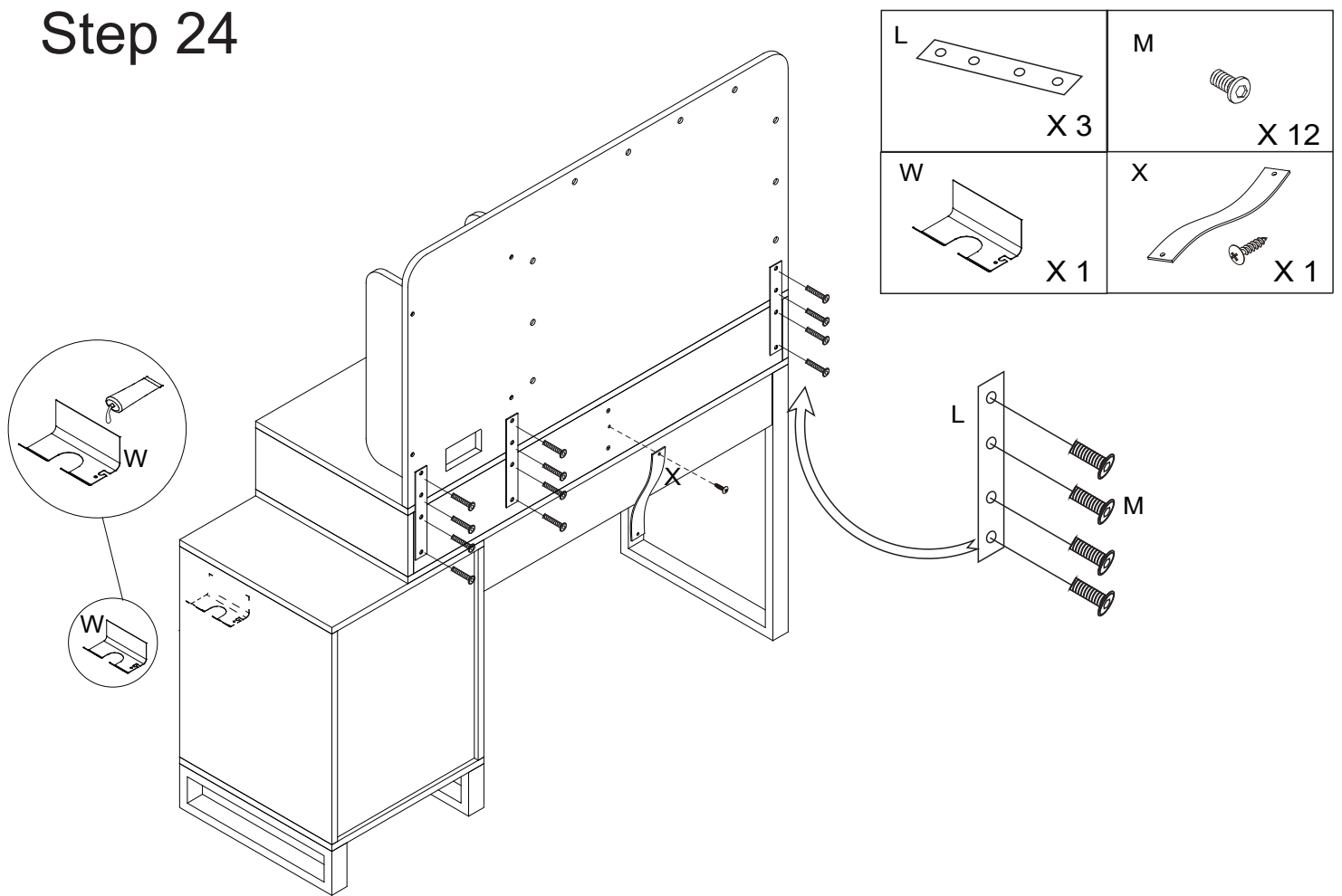
Step 22



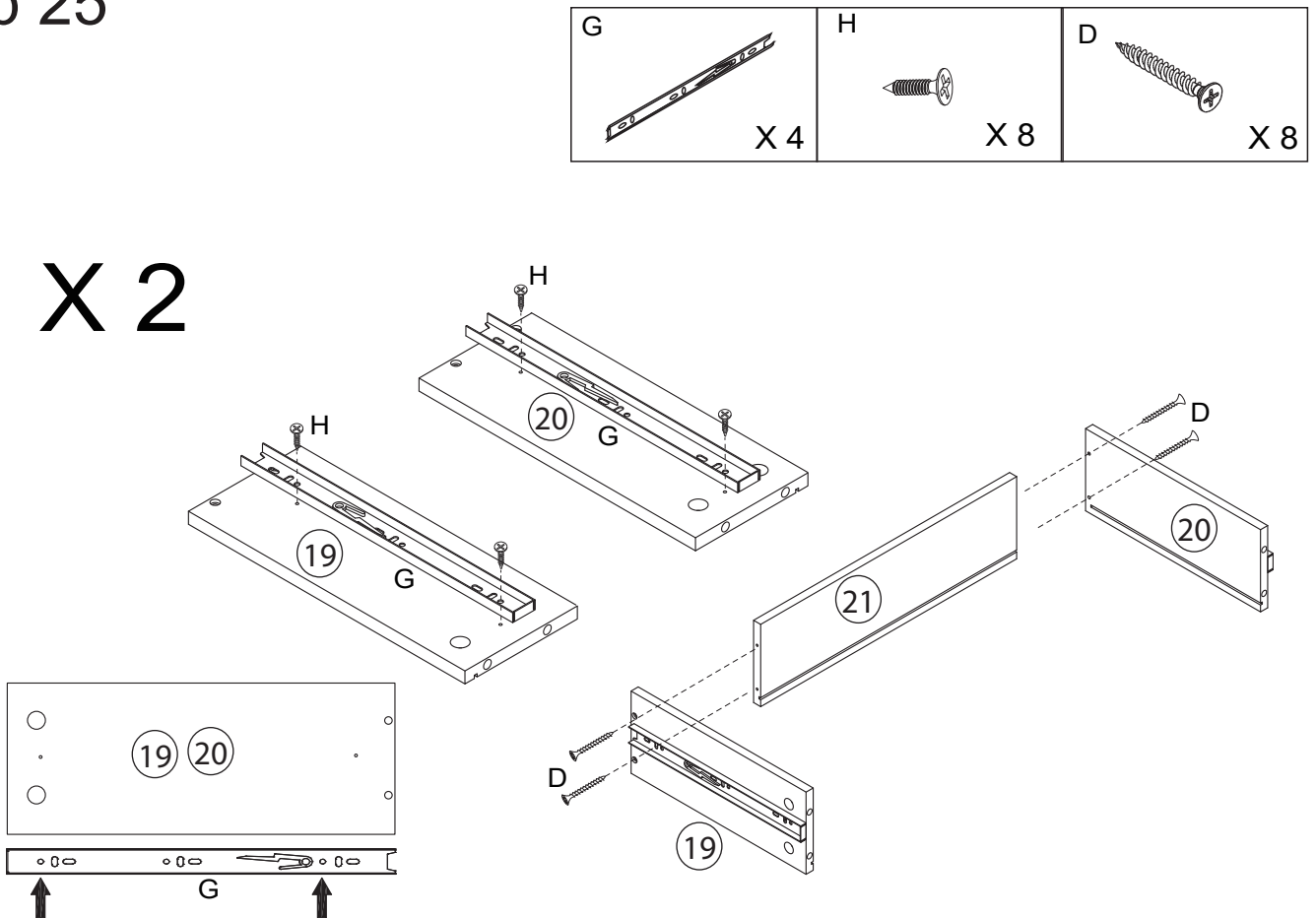
Step 23



Step 24



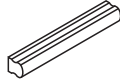



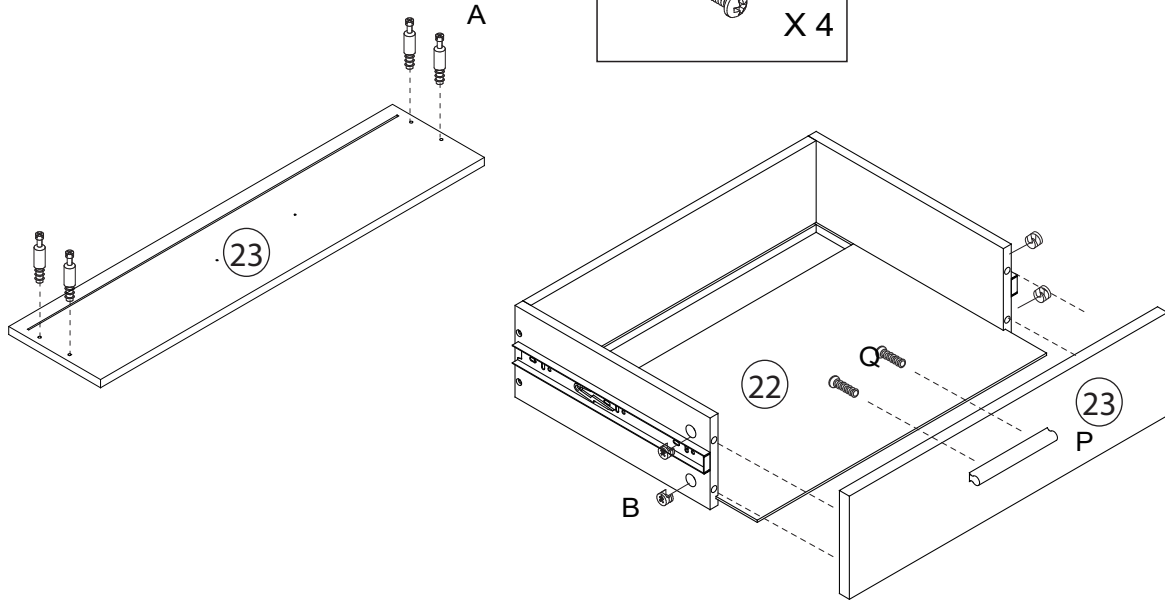
Step 25



Step 26



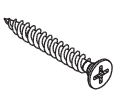
X 2

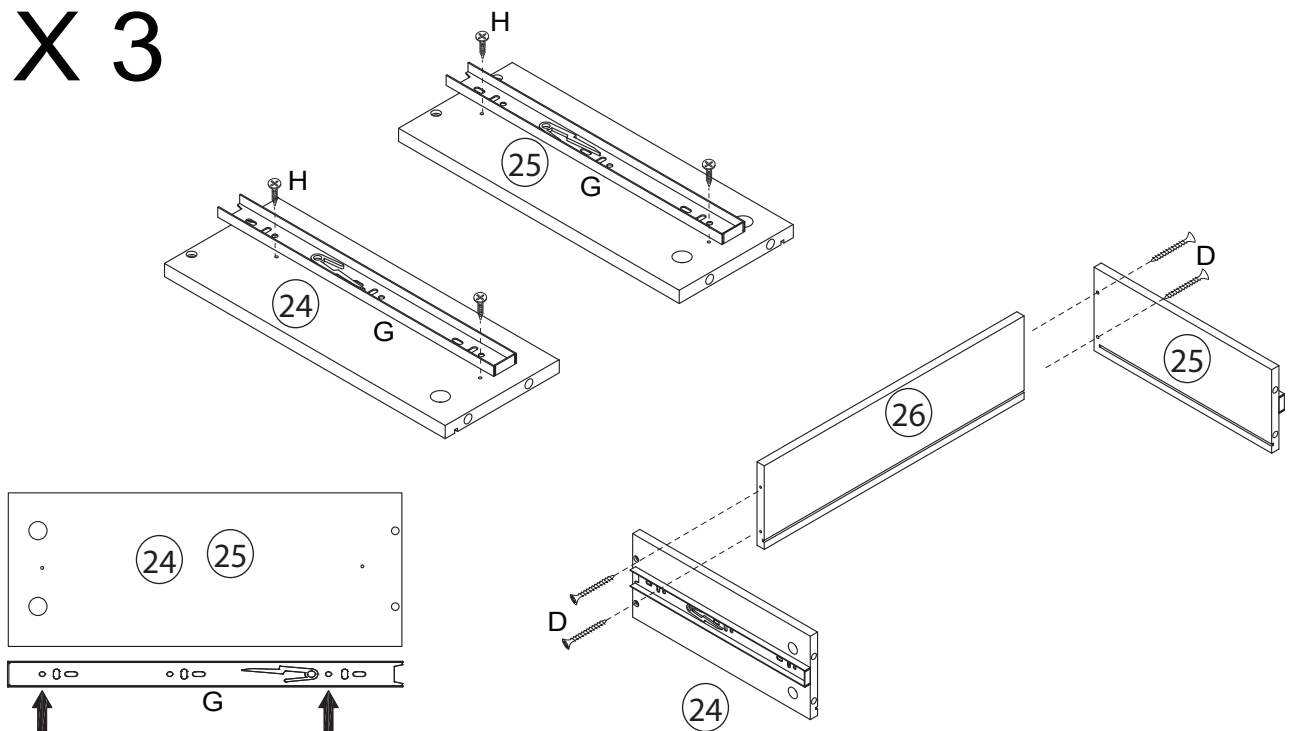
A  X 8	B  X 8	P  X 2
Q  X 4		



Step 27




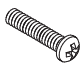
X 3

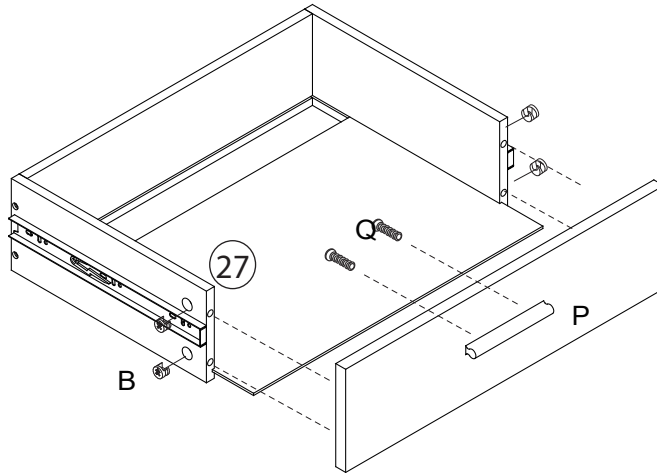
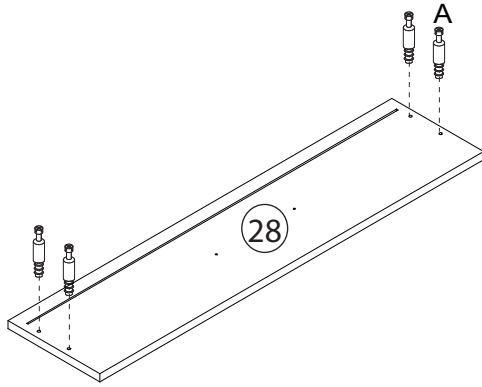
G  X 6	H  X 12	D  X 12
--	--	--




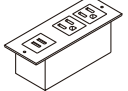


Step 28

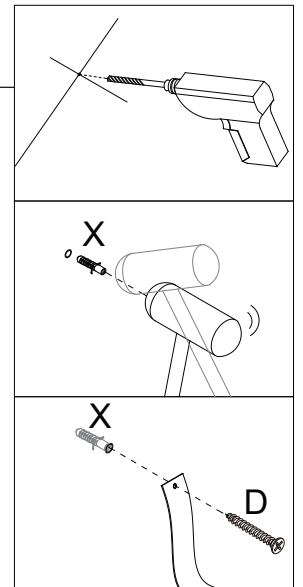
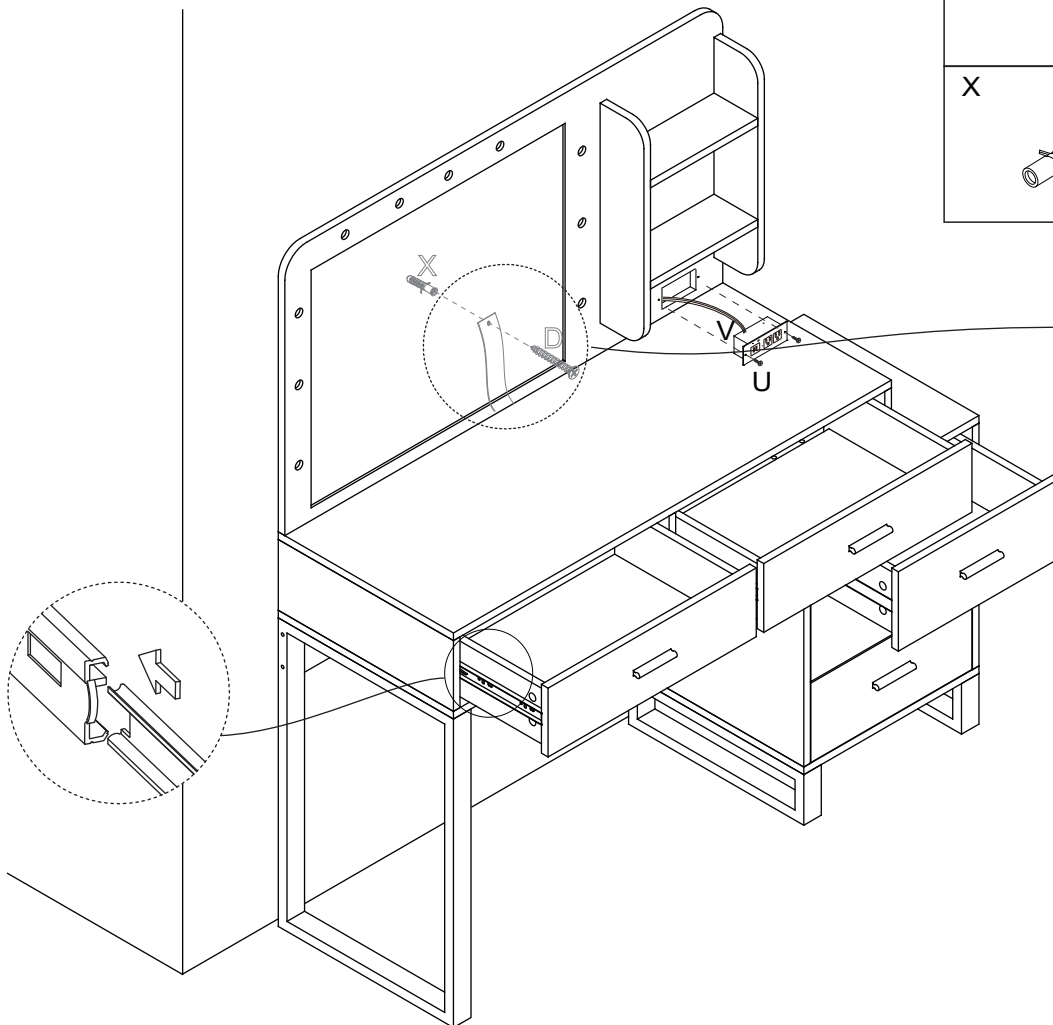
X 3

A  X 12	B  X 12	P  X 3
Q  X 6		

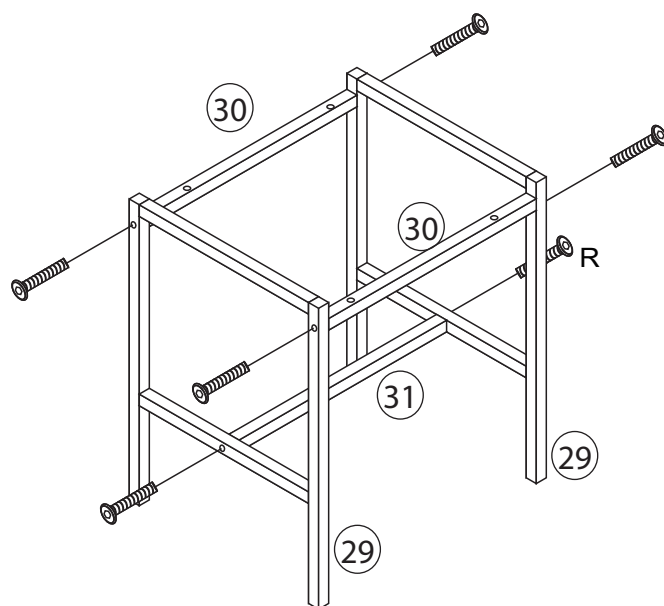
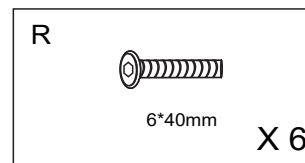


Step 29

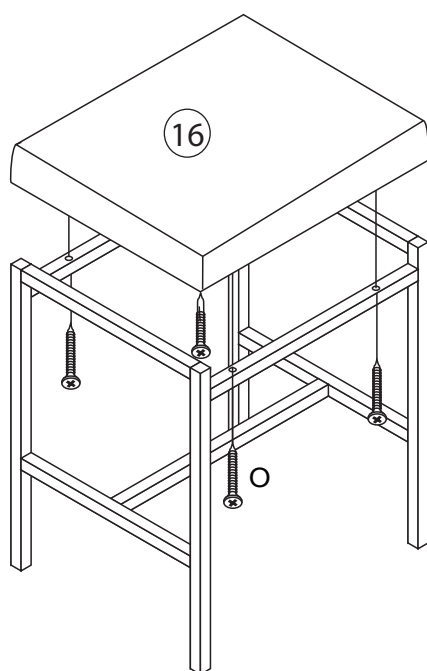
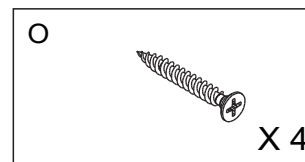
D  X 1	V  X 1
X  X 1	U  X 2



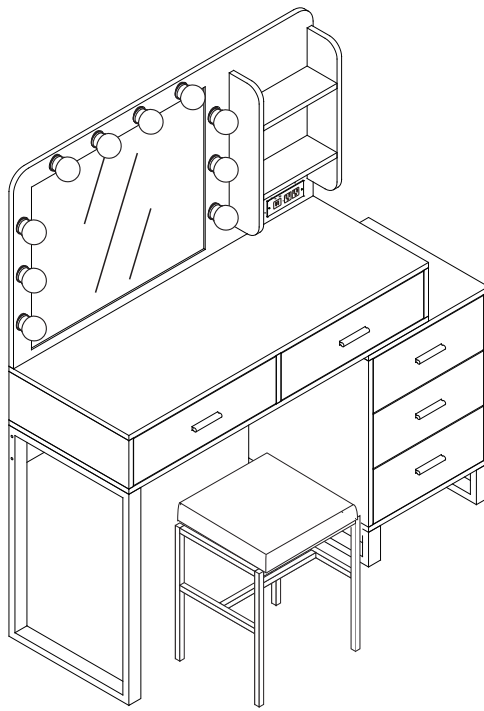
Step 30



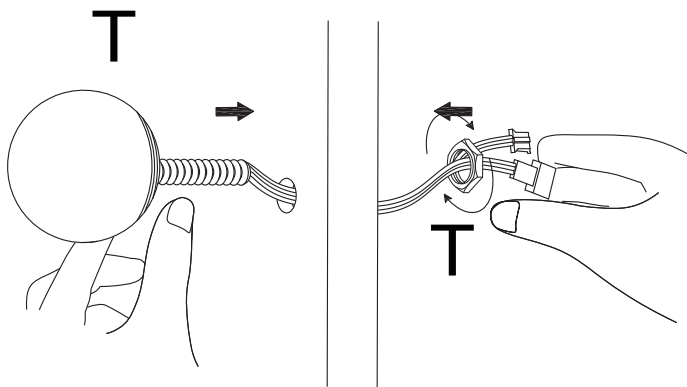
Step 31



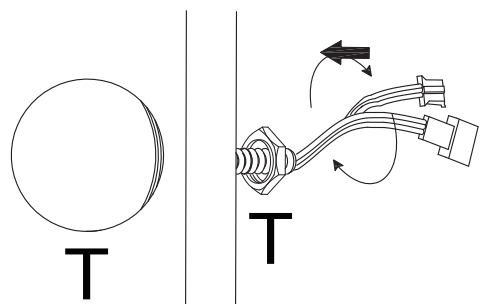
Step 32



1

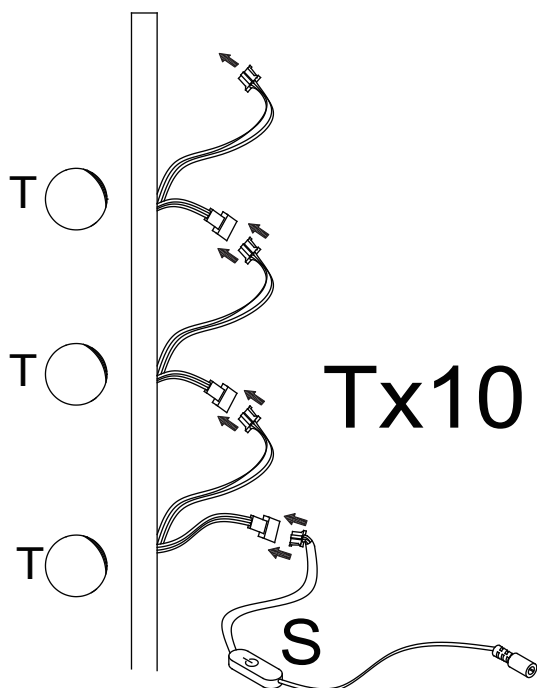


2



x 10

3



4

