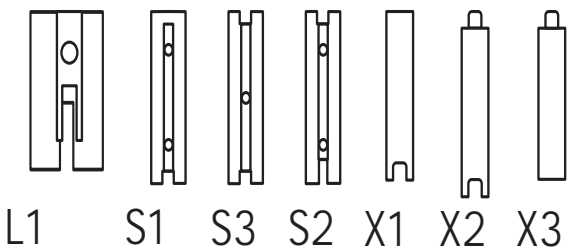
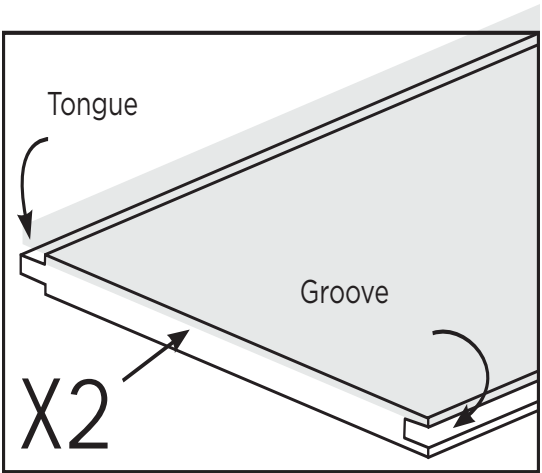
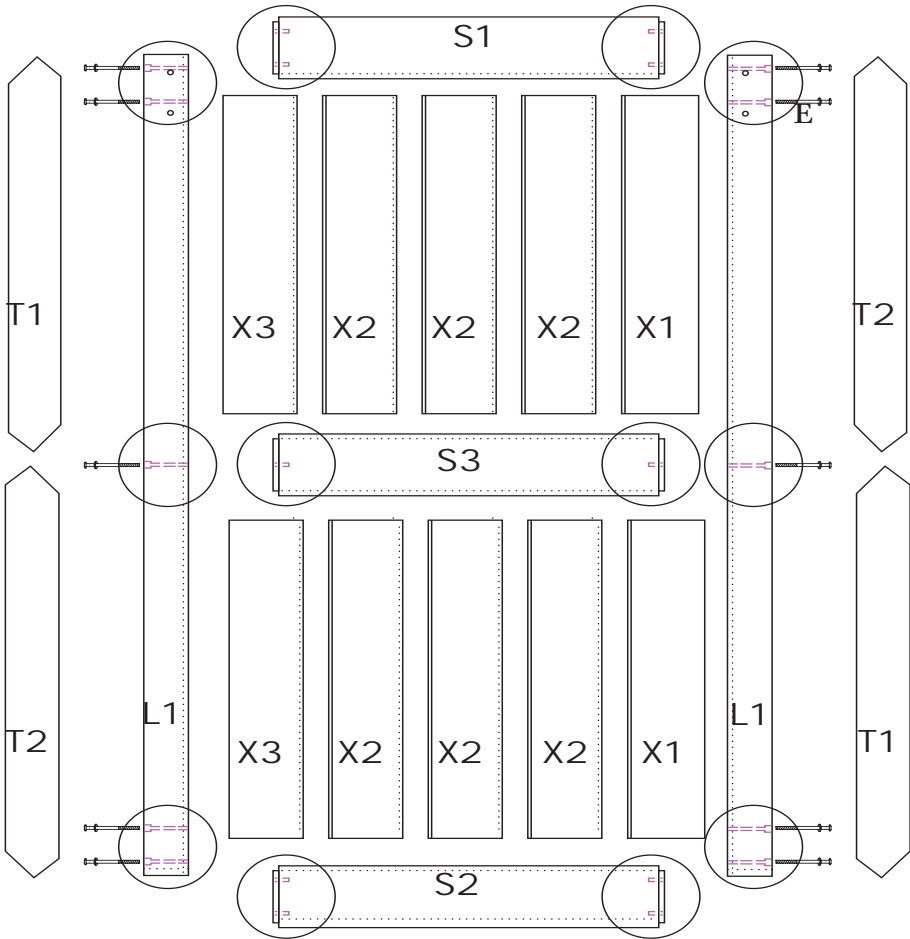
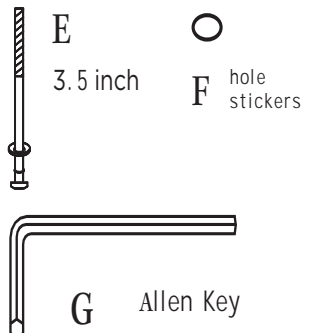


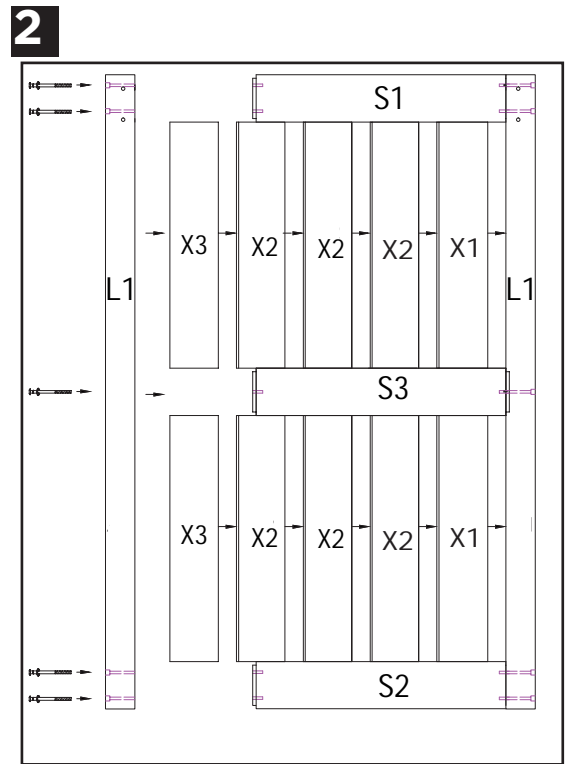
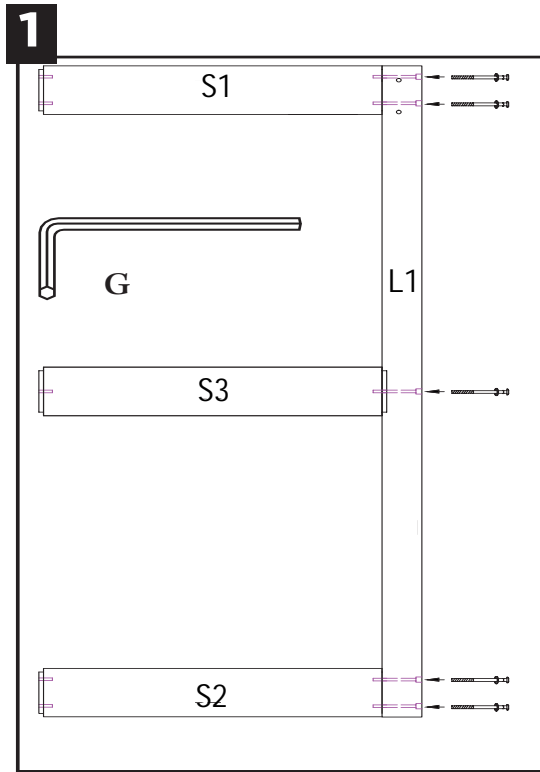
K-design panel installation guide

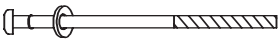


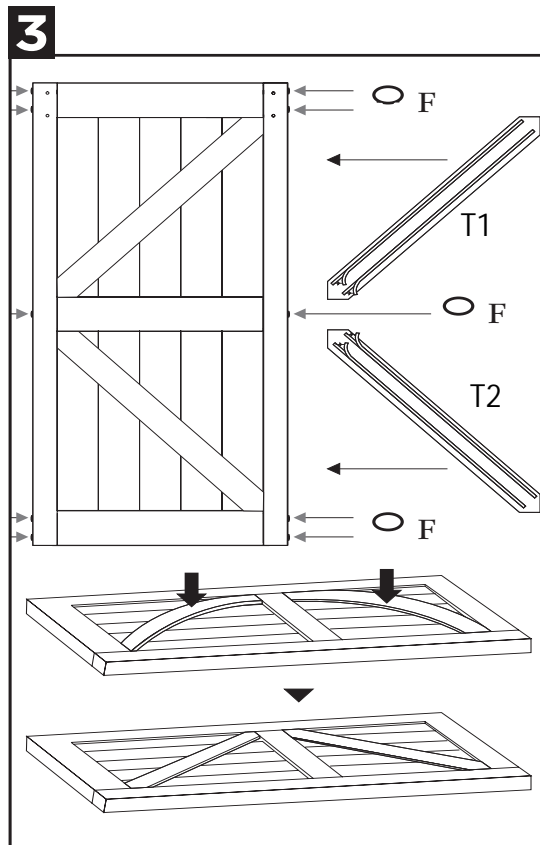
- 30 inch barn door: 4 pcs of X2 panel
- 36 inch barn door: 6 pcs of X2 panel
- 42 inch barn door: 8 pcs of X2 panel
- 48 inch barn door: 10 pcs of X2 panel

- 48 inch slider door: 6 pcs of X2 panel
- 60 inch slider door: 8 pcs of X2 panel
- 72 inch slider door: 10 pcs of X2 panel





 Do not overscrew



Remove the cover of the tape and adhere T1/T2 to the door.

