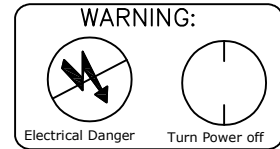
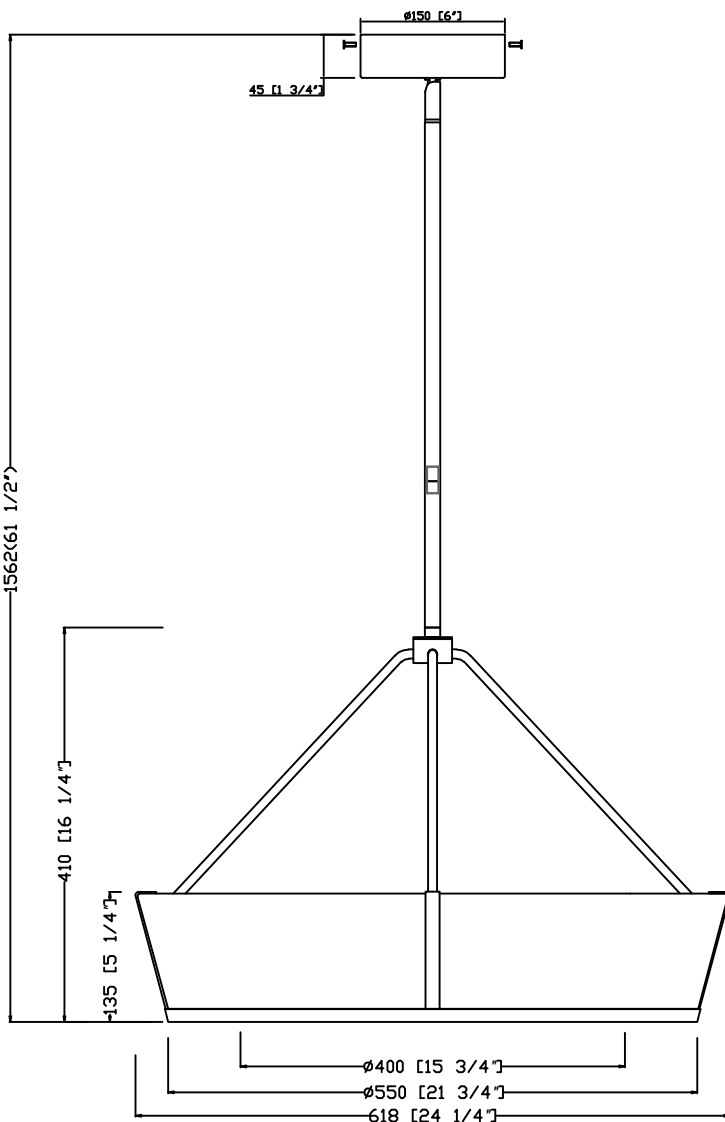


CRYSTORAMA

LIGHTING THE WAY FOR SIXTY YEARS



ASSEMBLY INSTRUCTION MODEL #RYC-8106-CZ



All electrical components must be installed by a licensed electrician in accordance with the National Electric Code and the appropriate local electrical codes.

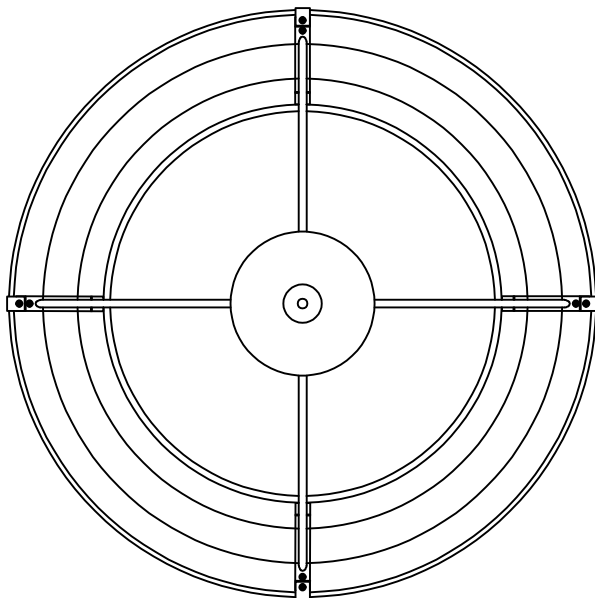


You will need 1 -24 Watts LED Module Bulb included

THIS FIXTURE IS DRY RATED

How to Install

1. Remove the metal plate from the distributor box by loosening the coupling. Insert the rod into the hole on the side of the distributor. Secure with the set screw using the wrench included. Don't tighten it yet.
2. Remove the flat screws on the four brackets of the fabric shade. Position the rod assembly from Step 1 on top of the shade. Align the holes on the rod tabs with the holes on the bracket attached to the shade. Secure the rods with the screws.
3. Tighten the rods onto the distributor box using the wrench. Put the metal plate back over the distributor box and secure with the coupling.
4. Remove the mounting plate from back plate. Install the mounting plate to the outlet box.
5. Decide the preferred hanging height and choose the correct length of rod needed.
6. Feed the wires through the rods, swivel and canopy. Connect the rods together. Screw one end of the rod assembly onto the coupling and the other end onto the swivel.
7. Raise the fixture up to the ceiling and do the wire connection as illustrated. Set the color temperature by sliding the button to the desired color temperature (2700k or 3000k). Secure the canopy onto the mounting plate using the screws.



WARNING: This product can expose you to Lead, which is known to the State of California to cause cancer and/or birth defects or reproductive harm. For more information go to www.P65Warnings.ca.gov

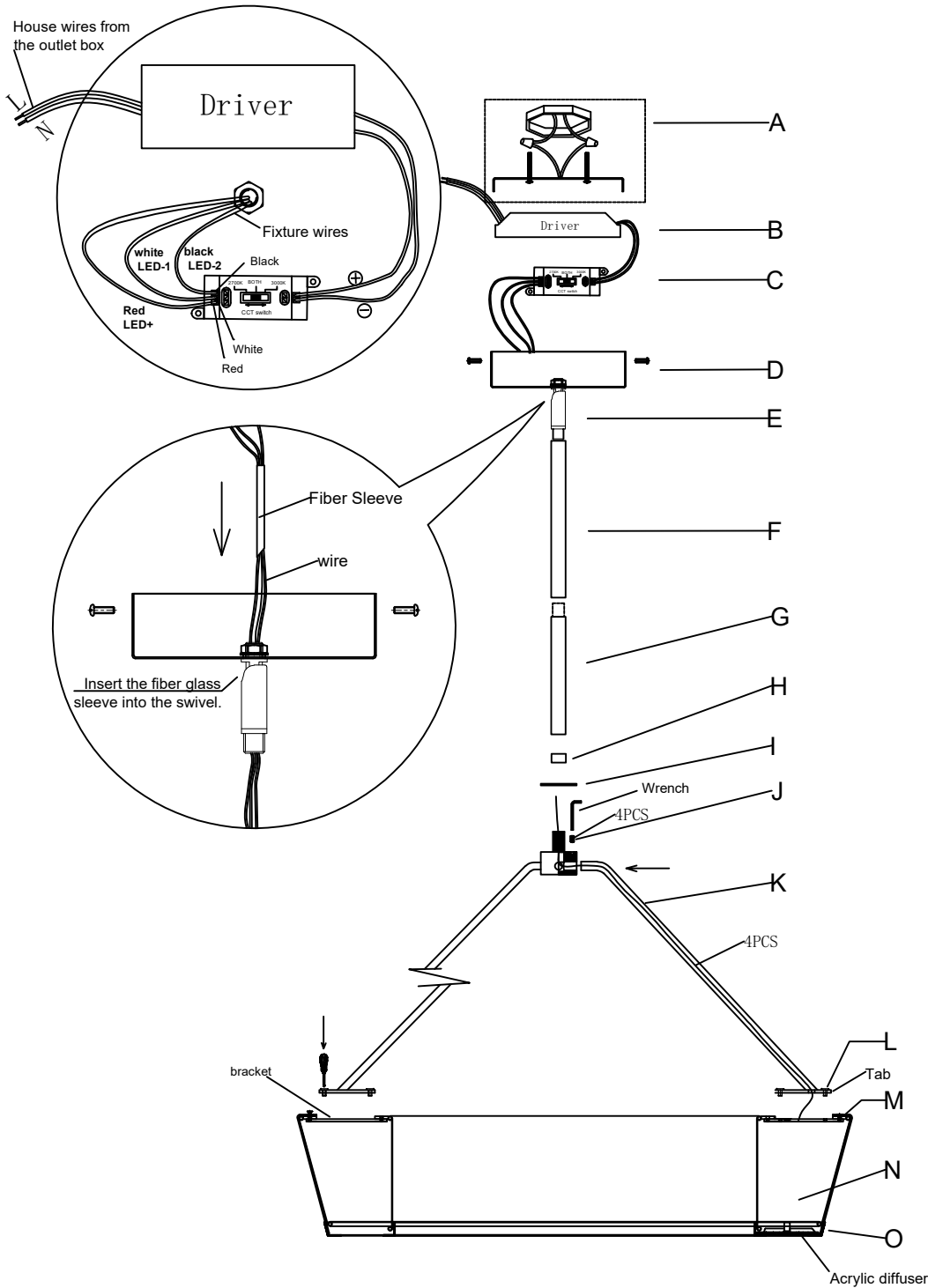
CRYSTORAMA

LIGHTING THE WAY FOR SIXTY YEARS



Crystorama.com

ASSEMBLY INSTRUCTION MODEL #RYC-8106-CZ



Part Number

Part Numbers

- A. (1)-Mounting hardware
- B. (1)-Driver (AC110V-29W)
- C. (1)-CCT switch
- D. (1)-Canopy (XAR8106CZCAN6IN)
- E. (1)-Swivel
- F. (3)-Down rod 0.75"*12"
(XAR8106CZROD12IN)
- G. (1)-Down rod 0.75"*6"
(XAR8106CZROD6IN)
- H. (1)-Coupling
- I. (1)-Metal plate
- J. (4)- set screw
- K. (4)-Rod
- L. (8)- screw
- M. (4)-Banding
- N. (1)-Fabric shade
(XAR8106CZSHA24.5IN)
- O. (1)-Bottom ring
(XAR8106BOLUCITE)