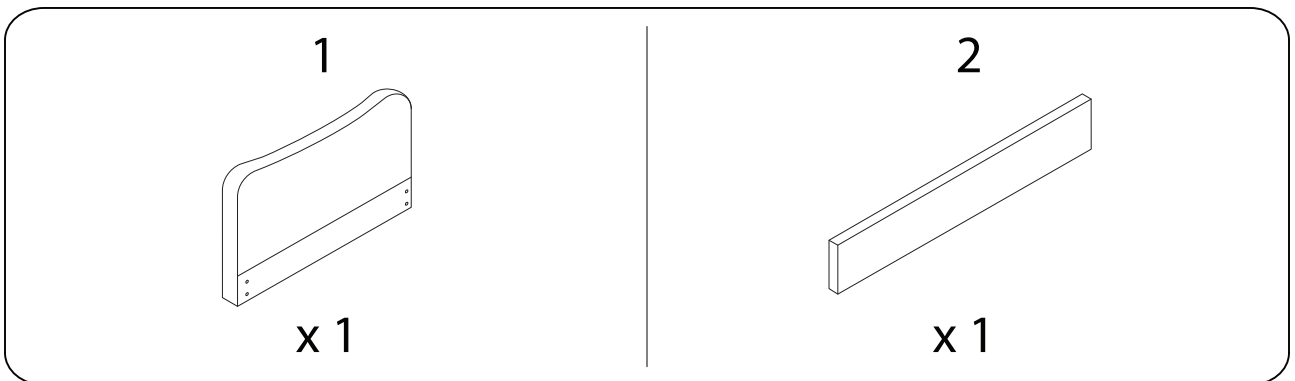
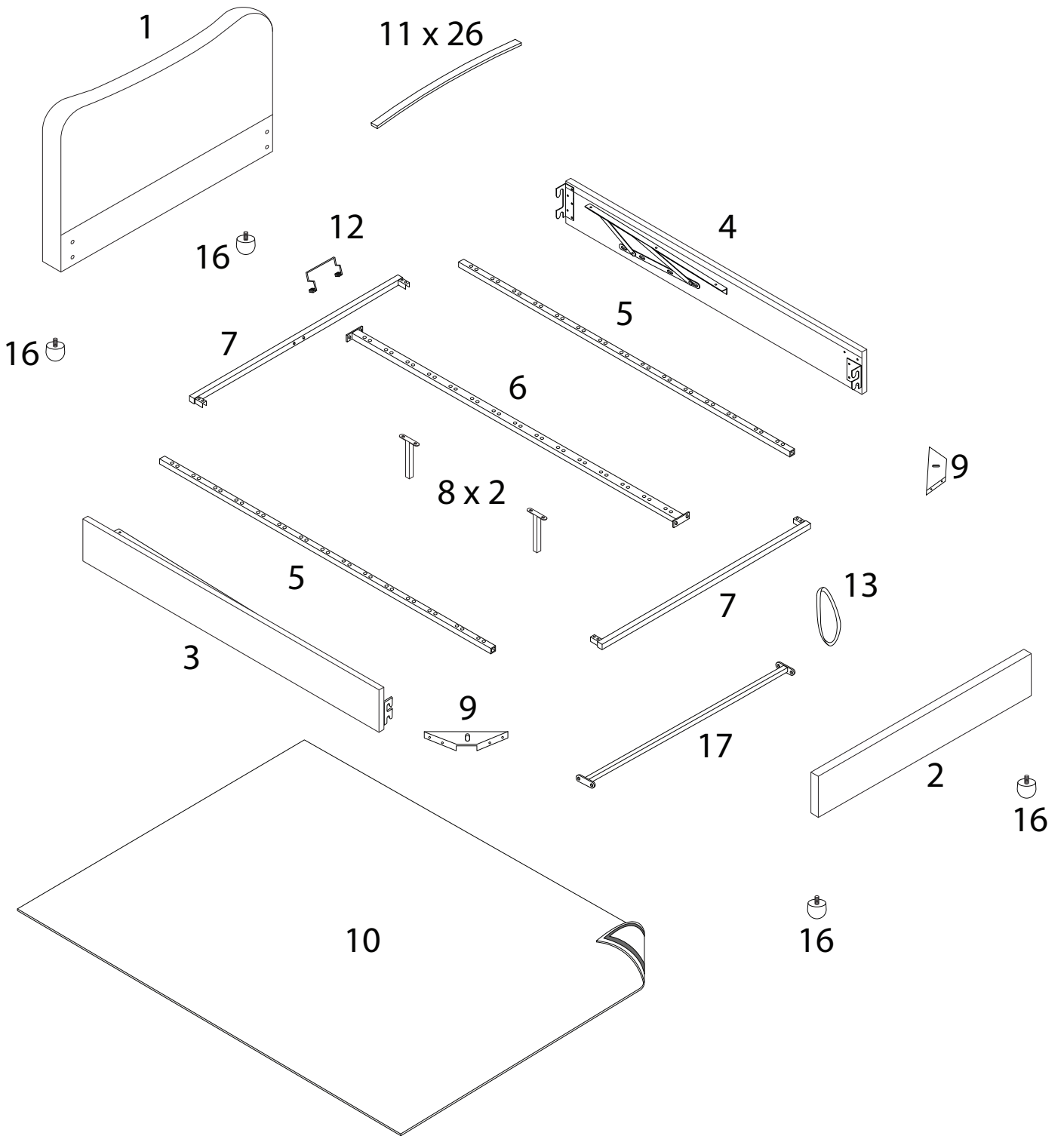
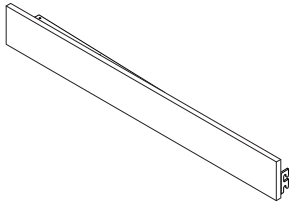

		90'
		2

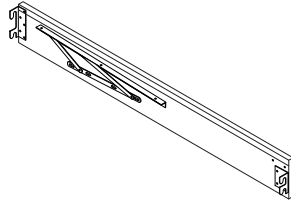


3



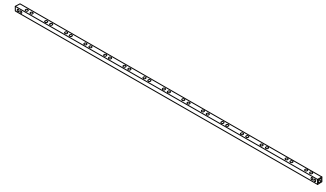
x 1

4



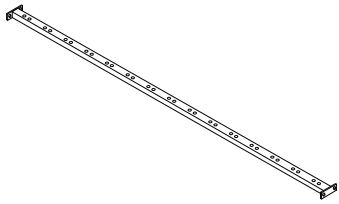
x 1

5



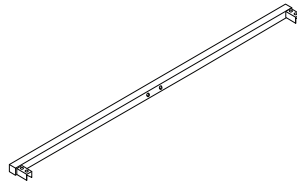
x 2

6



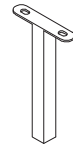
x 1

7



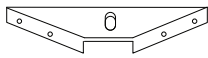
x 2

8



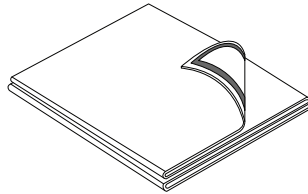
x 2

9



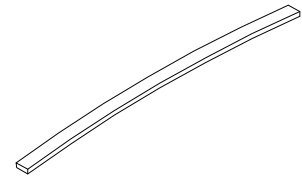
x 2

10



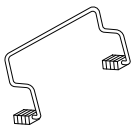
x 1

11



x 26

12



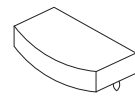
x 1

13



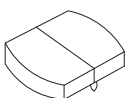
x 1

14



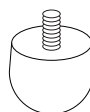
x 26

15



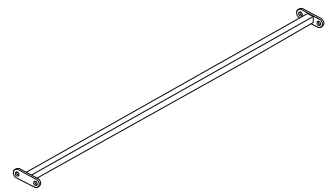
x 13

16



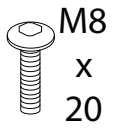
x 4

17



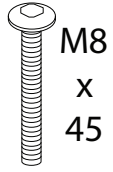
x 1

A



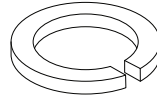
x 28

B



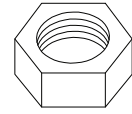
x 14

C



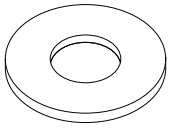
x 8

D



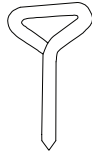
x 14

E



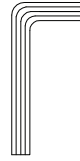
x 22

T₁



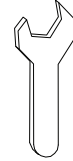
x 1

T₂



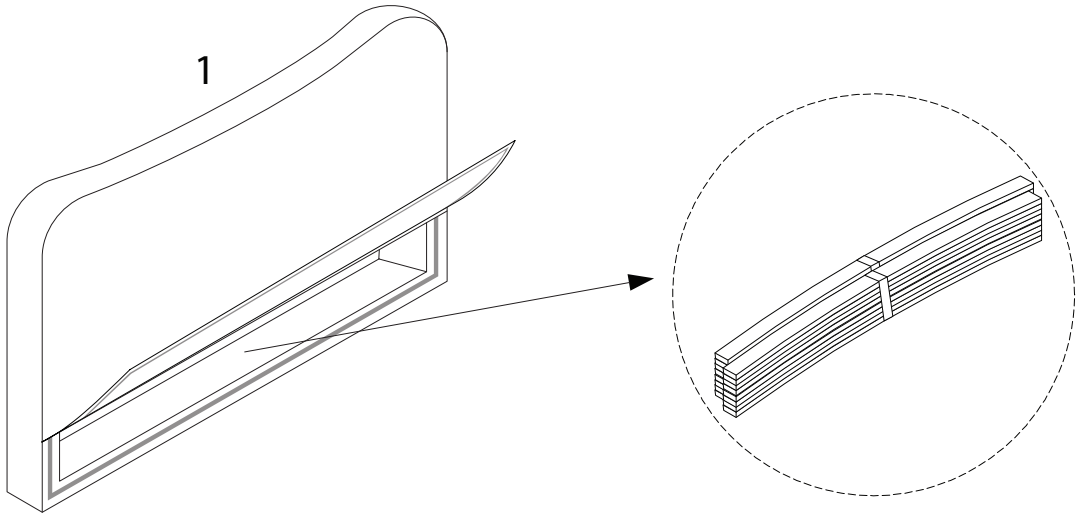
x 1

T₃



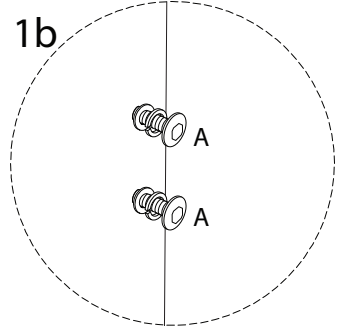
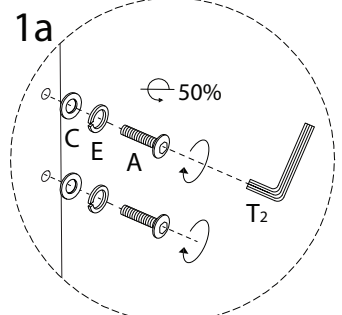
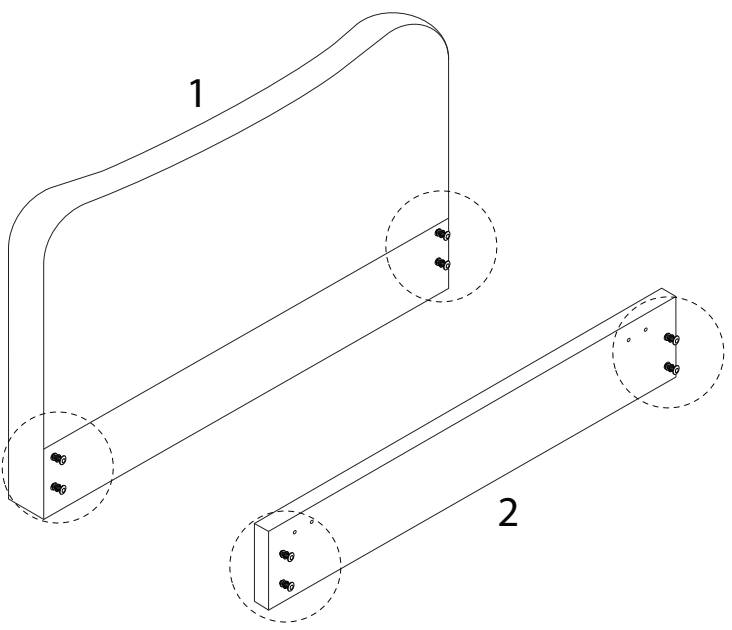
x 1

!

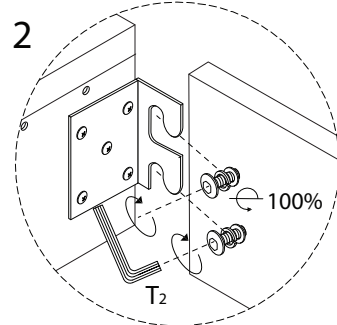
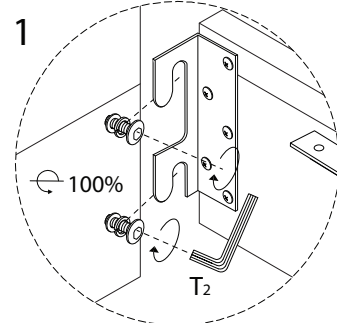
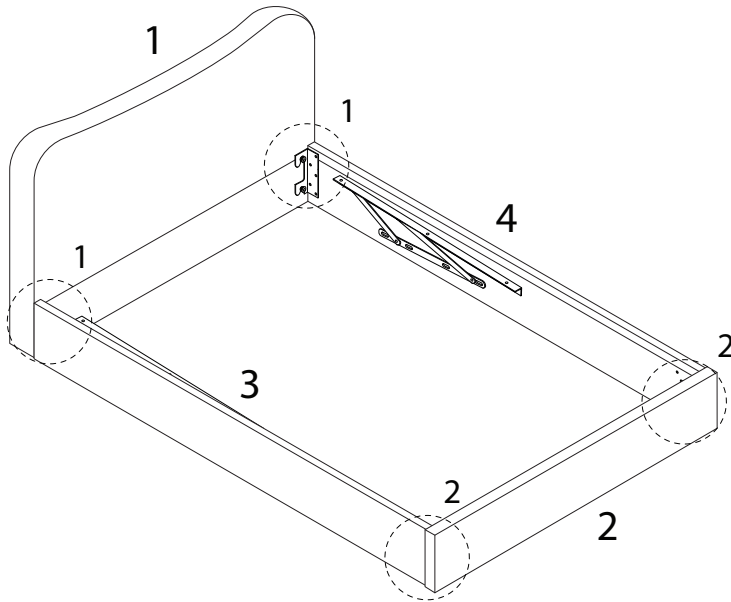
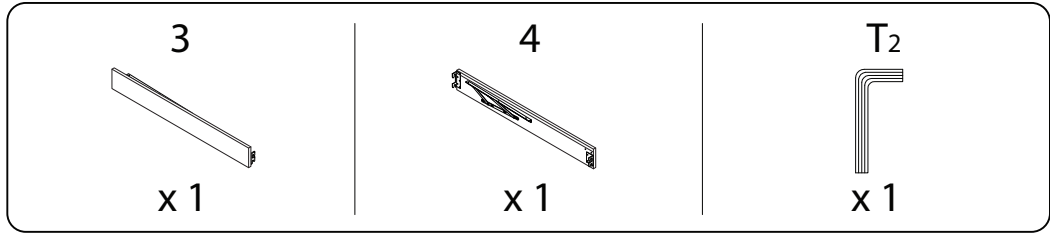


1

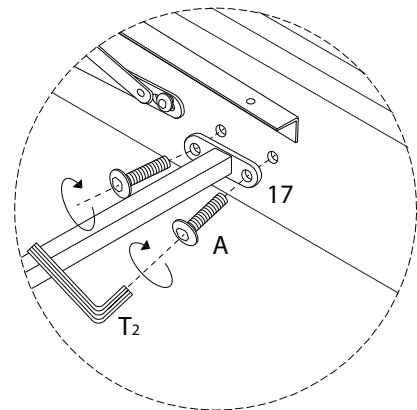
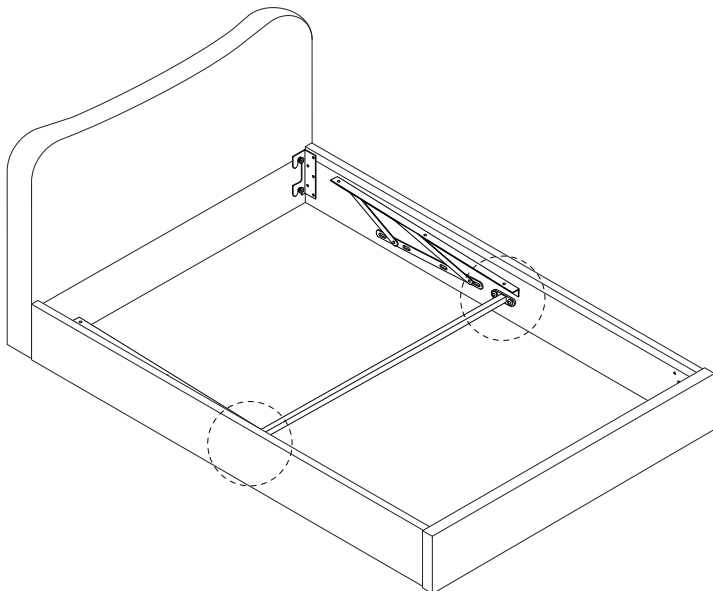
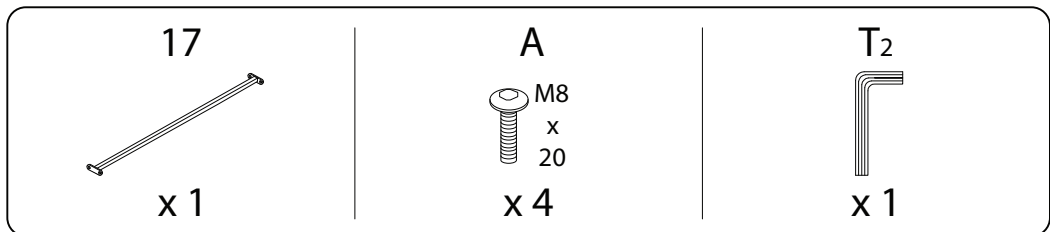
1 x 1	2 x 1	A x 8	C x 8	E x 8	T₂ x 1
---------------------	---------------------	---------------------	---------------------	---------------------	---------------------------------



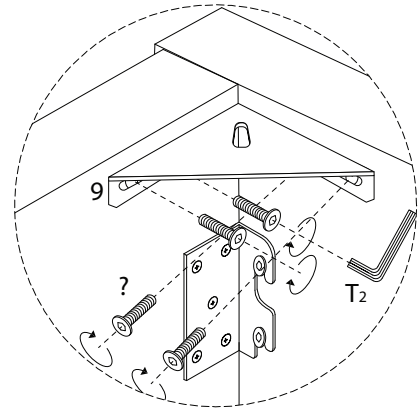
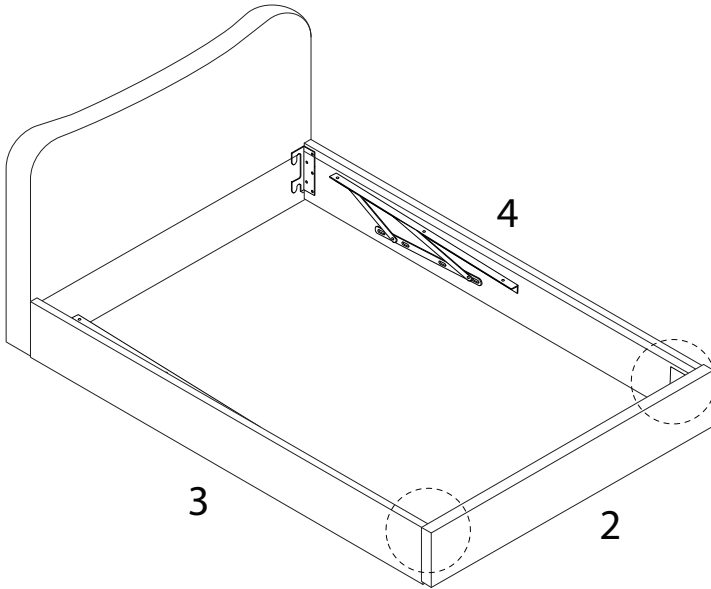
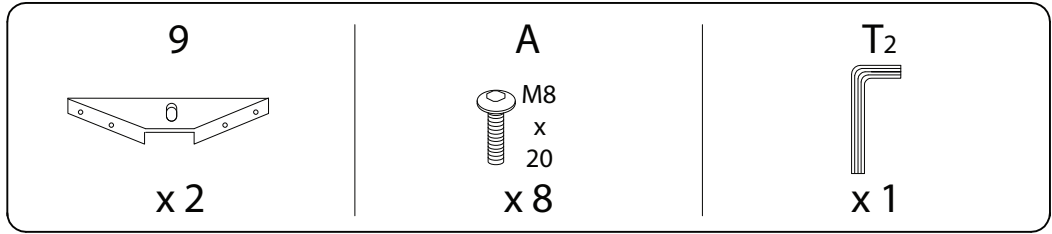
2



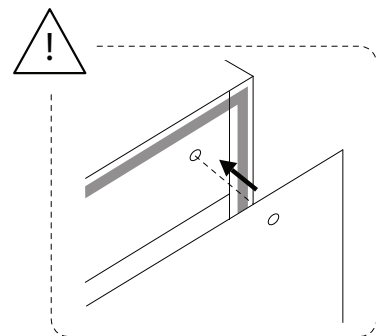
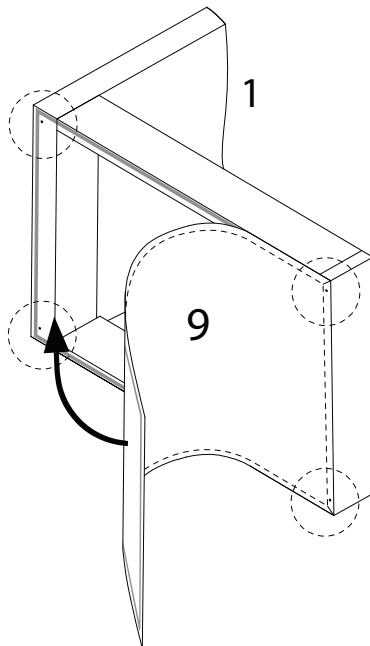
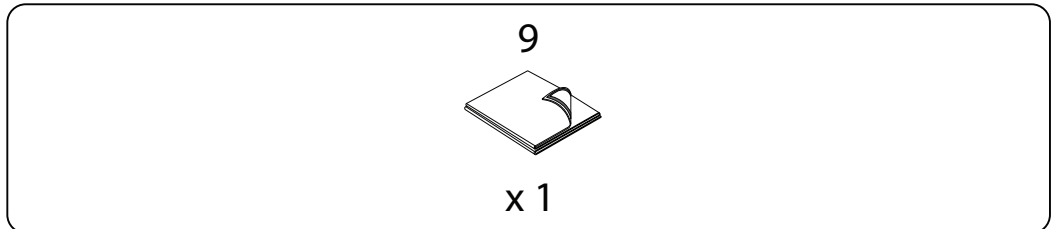
3



4



5

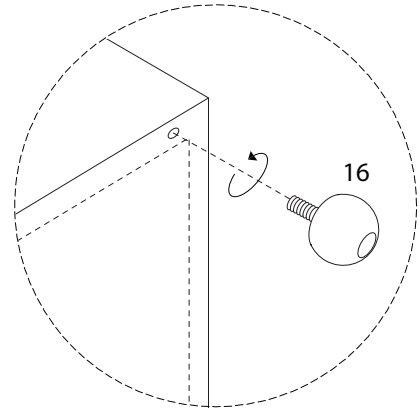
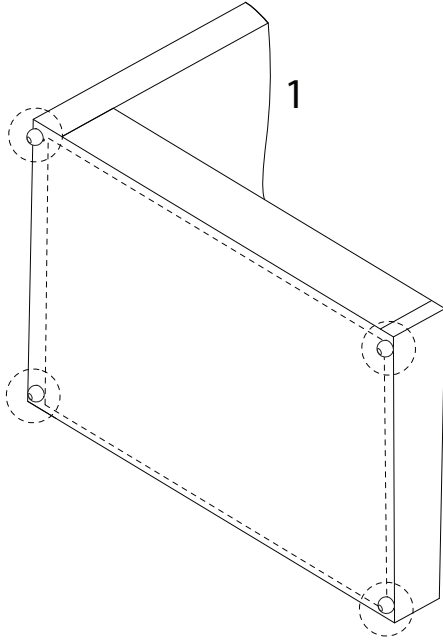


6

16



x 4



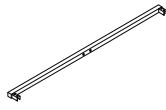
7

5



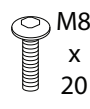
x 2

7



x 2

A



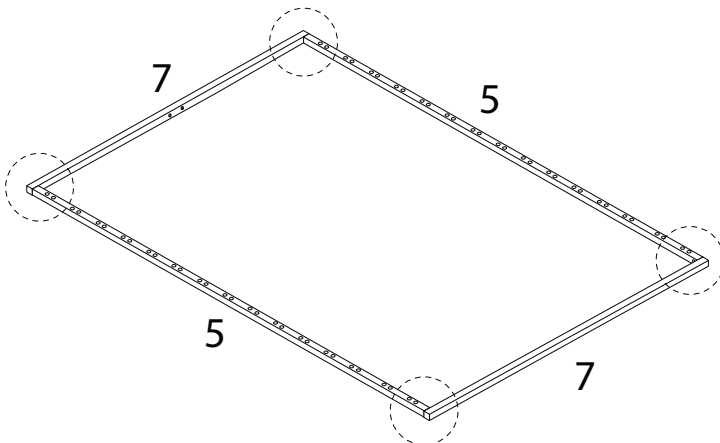
M8
x
20

x 8

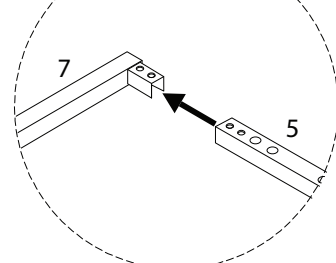
T₂



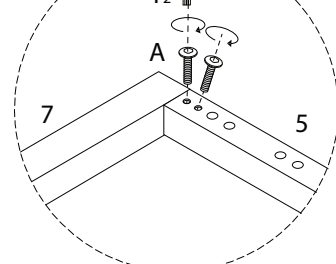
x 1





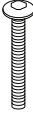
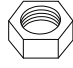

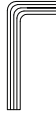

1a

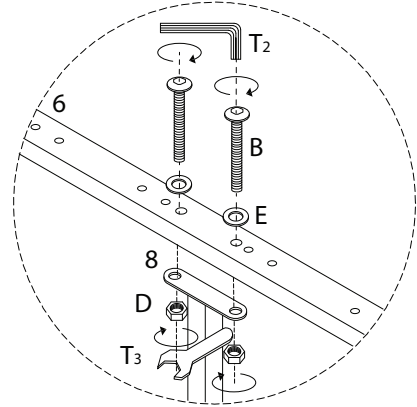
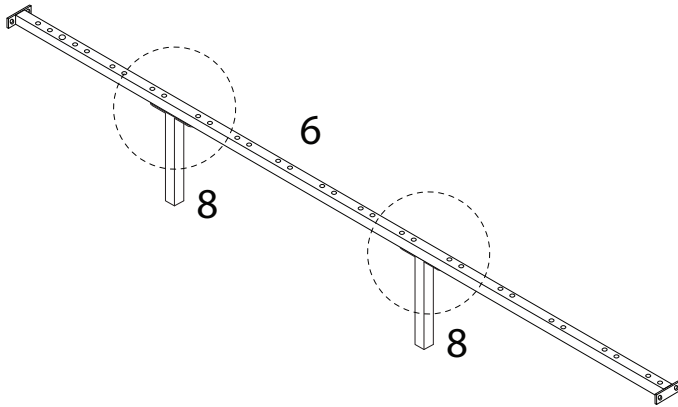


1b

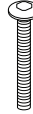
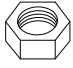

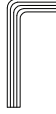



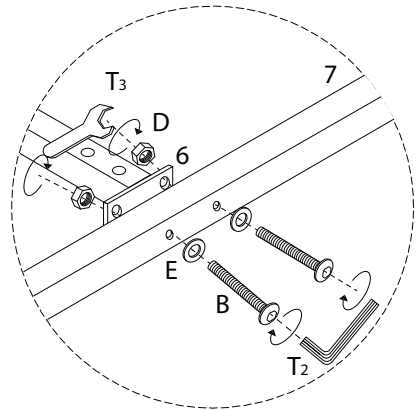
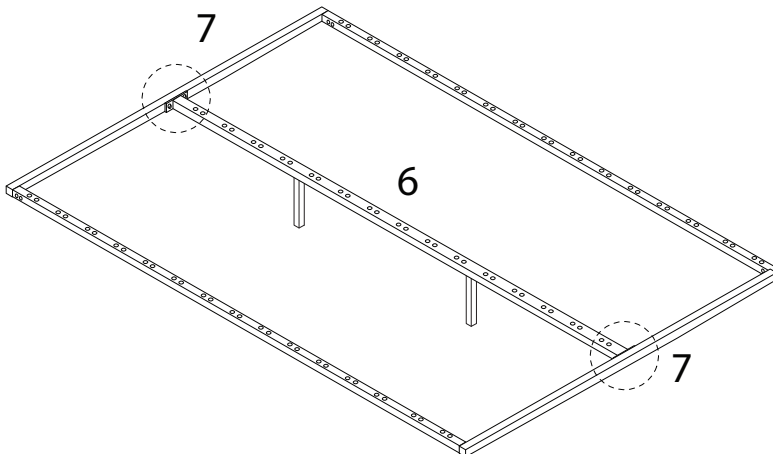
8

6  x 1	8  x 2	B M8 x 45 x 4 	D  x 4	E  x 4	T ₂  x 1	T ₃  x 1
---	---	--	---	--	--	--



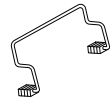
9

B M8 x 45 x 4 	D  x 4	E  x 4	T ₂  x 1	T ₃  x 1
--	---	---	--	--

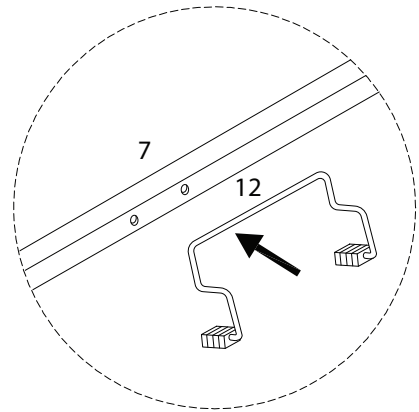
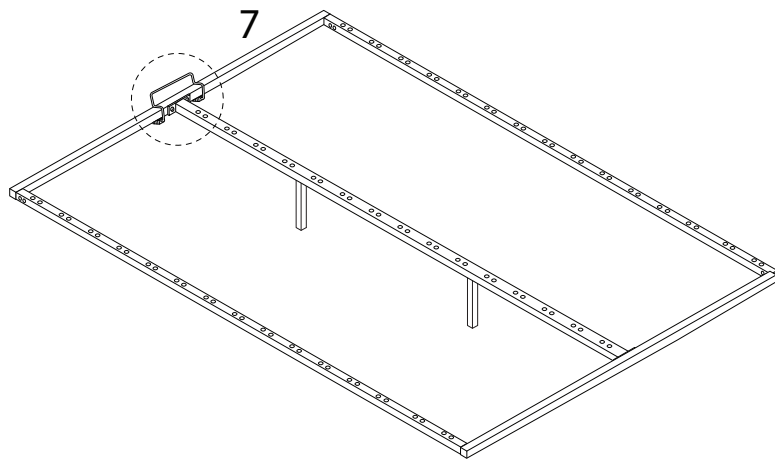


10

12



x 1

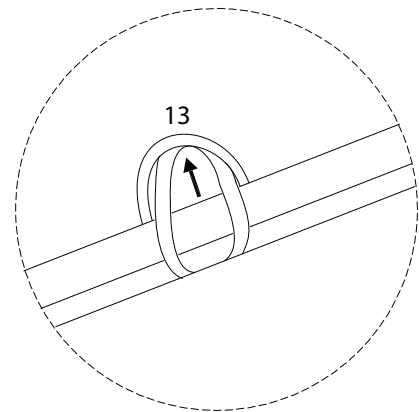
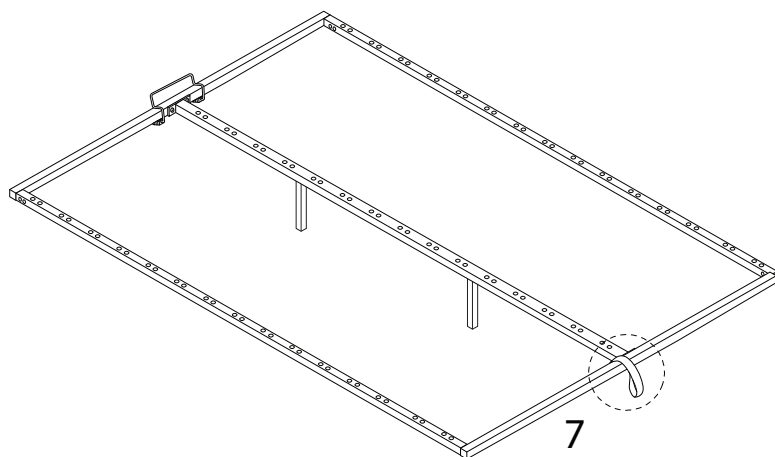


11

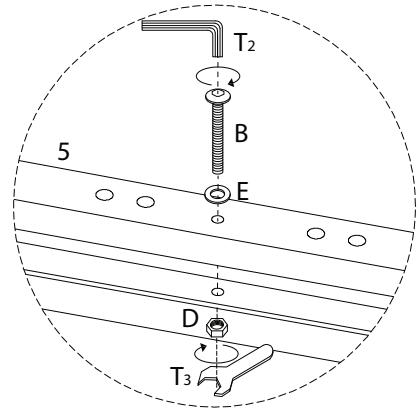
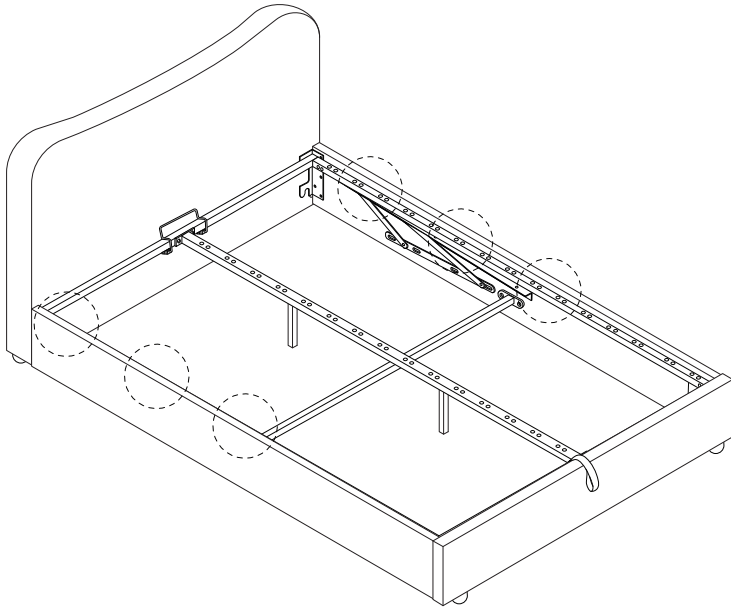
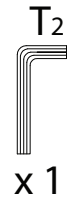
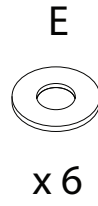
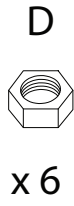
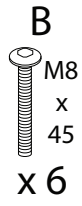
13



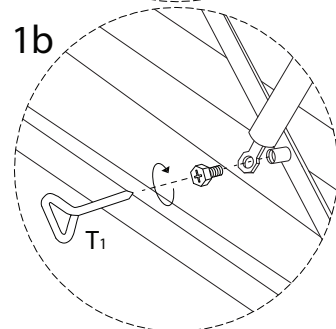
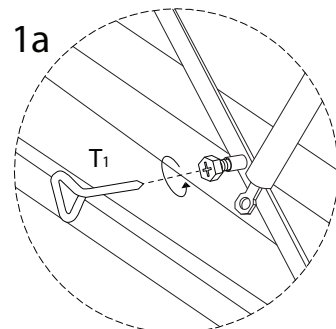
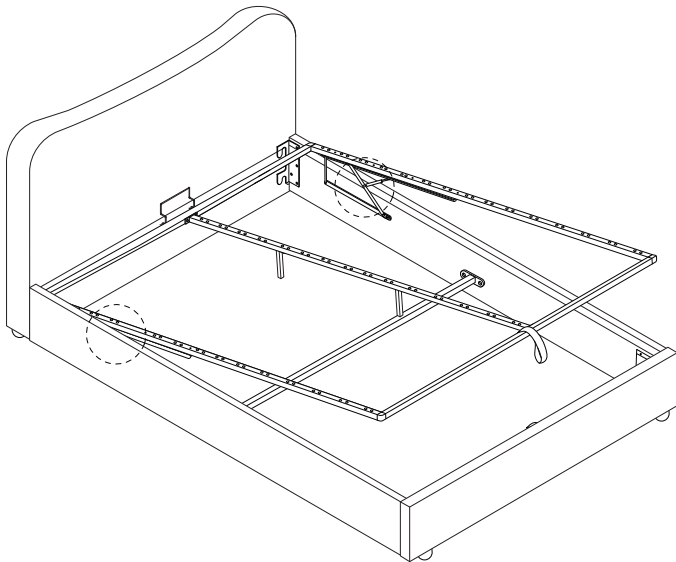
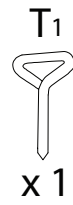
x 1



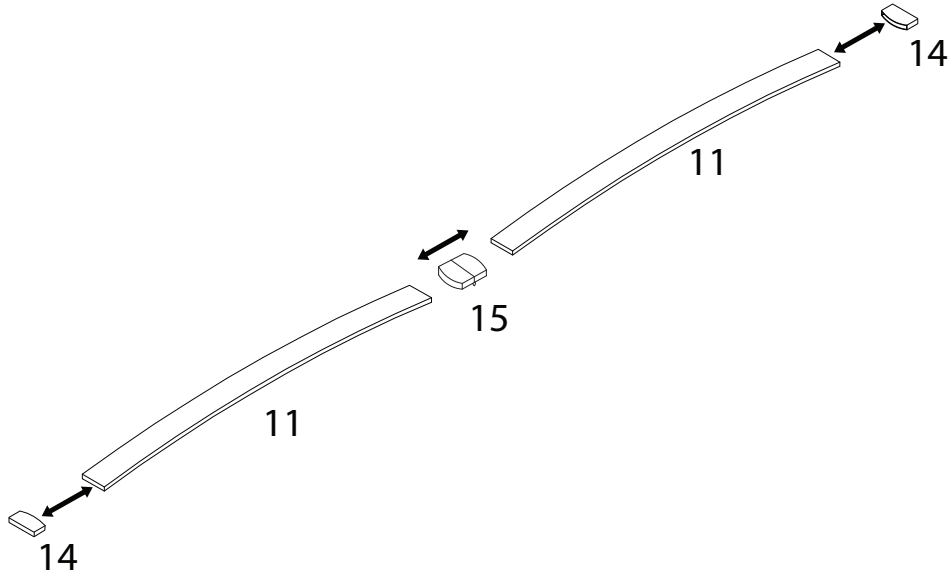
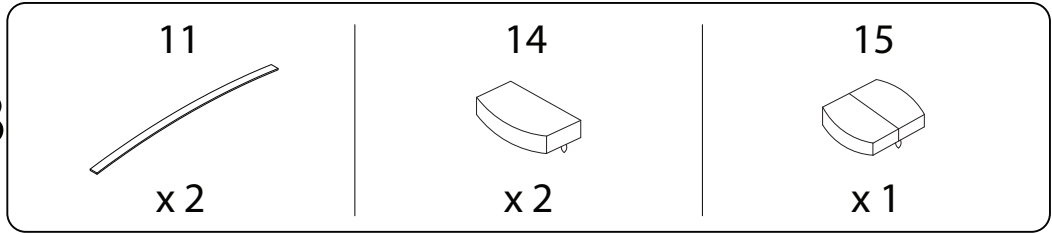
12



13



14 x 13



15

