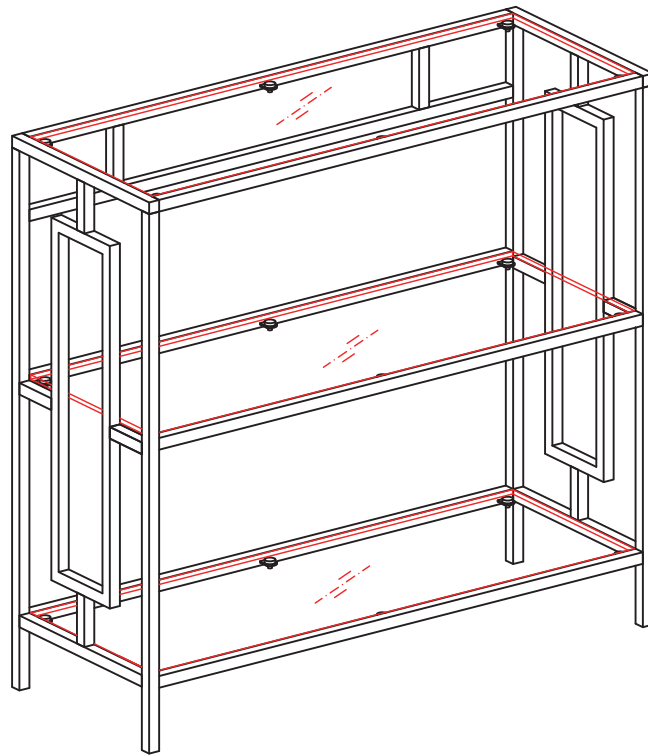









GLASS 3 TIER BOOKSHELF



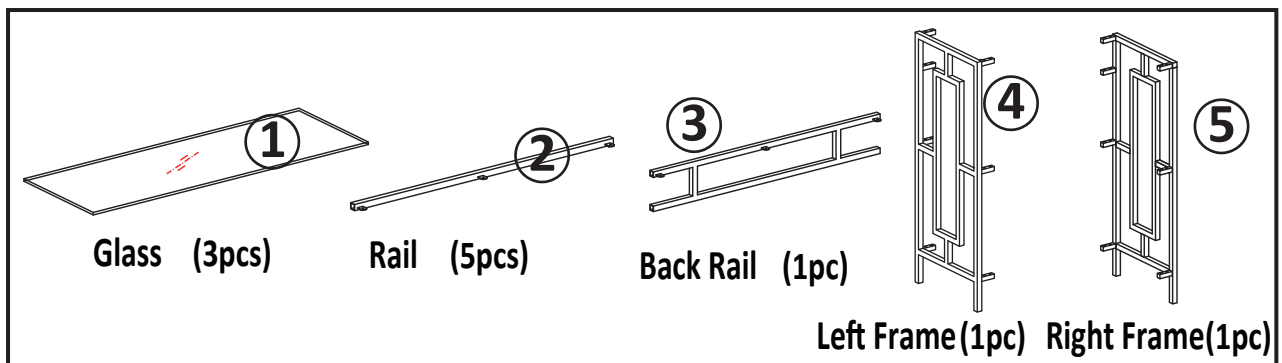
ASSEMBLY INSTRUCTIONS

We have designed our furniture with you , the customer in mind . Our clear , easy to follow , step by step instructions will guide you through the project from start to finish . Feel confident that this will be a fun and rewarding project . The final product will be a quality piece of furniture that will go together smoothly and give years of enjoyment .

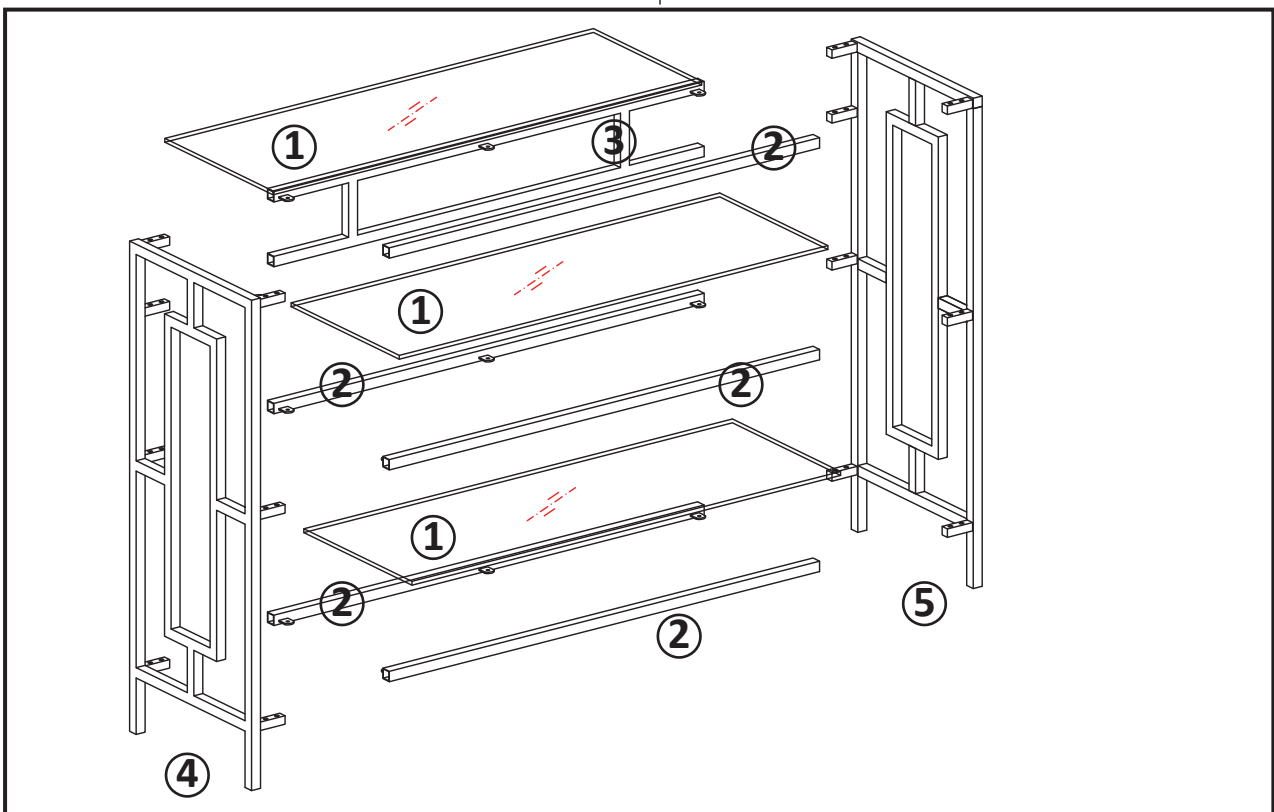
Hardware List

A 	B 	C 	D 
Screw (28pcs)	Allen Wrench (1pc)	Non-slip disk (18pcs)	Polishing cloth (1pc)
E 	F 	G 	
Cable tie (2pcs)	Eyelet Screw (2pcs)	Anchor (2pcs)	

Panel List



Exploded Views

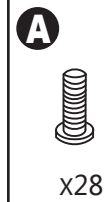
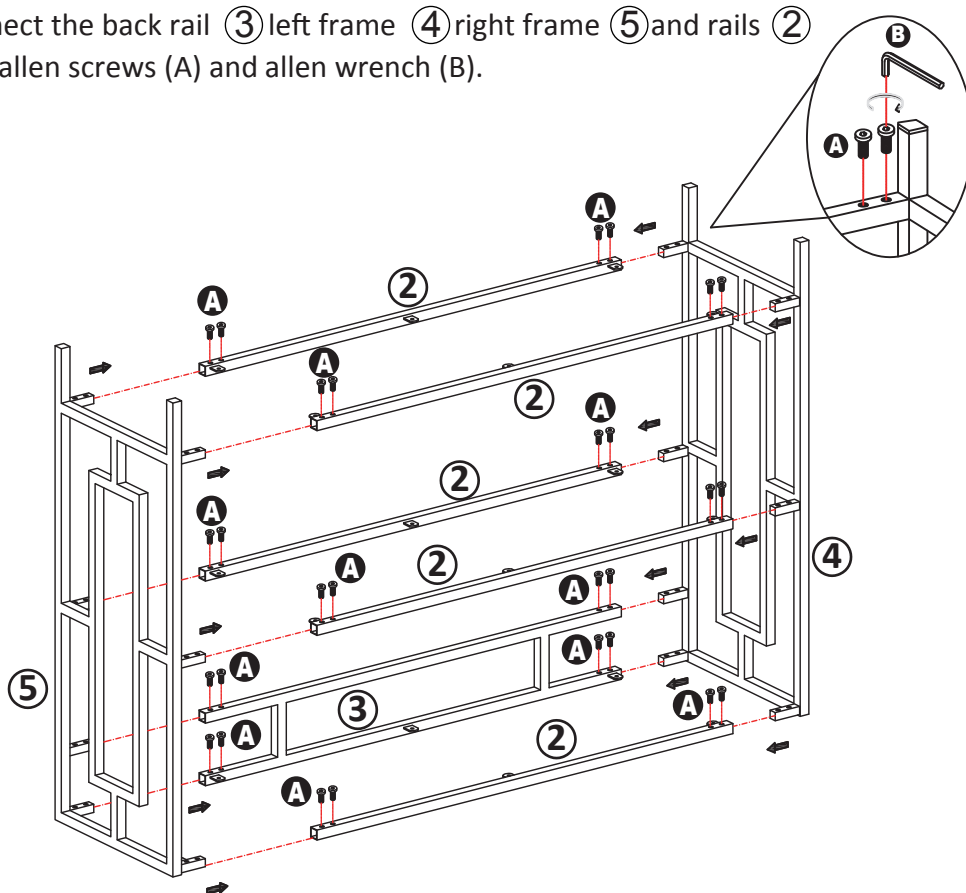


Please count and verify all parts before assembly .

Step 1

*Assemble unit on carpet or flat surface.

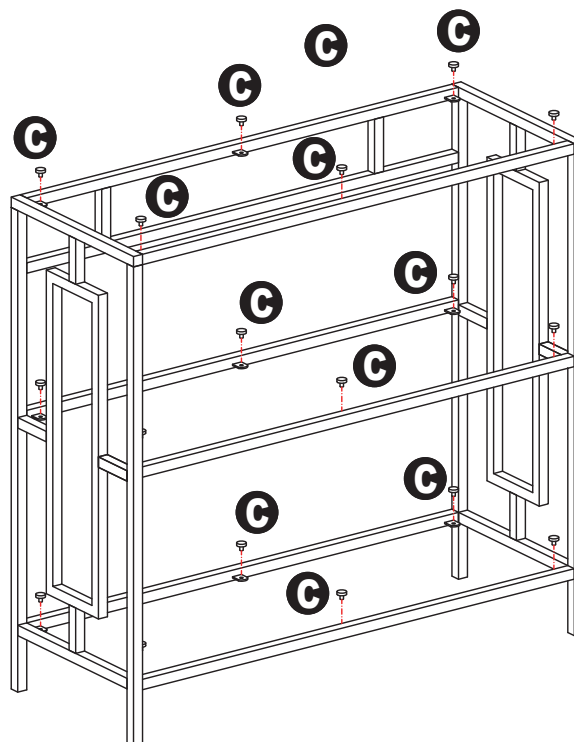
1. Connect the back rail (3) left frame (4) right frame (5) and rails (2) with allen screws (A) and allen wrench (B).



*Do not fully tighten Screws(A) until all have been started.

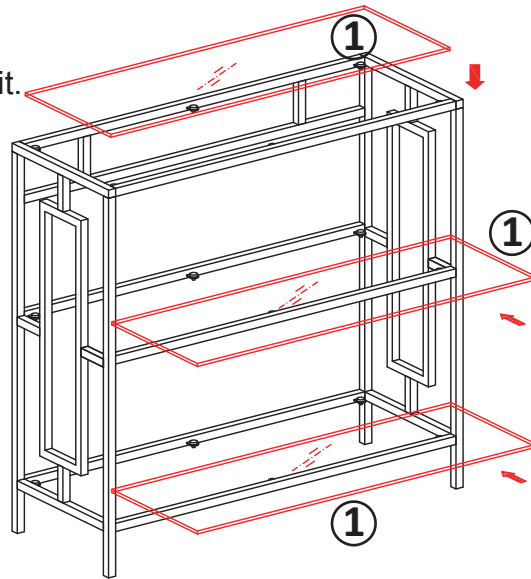
Step 2

1. Place non-slip disks (C) into assembly as shown to support glass shelf.



Step 3

1. Retighten all screws.
2. Using a slight angle, carefully insert glass panels ① into unit.



Step 4

1. Drill holes slightly smaller than anchors (G) into drywall and gently tap anchors into holes.
2. Insert eyelet screws (F) into anchors and fasten unit to wall using cable ties (E).
3. Enjoy!

