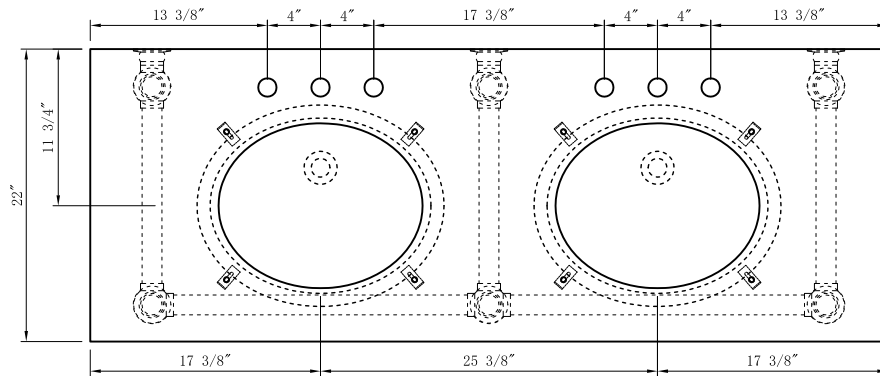
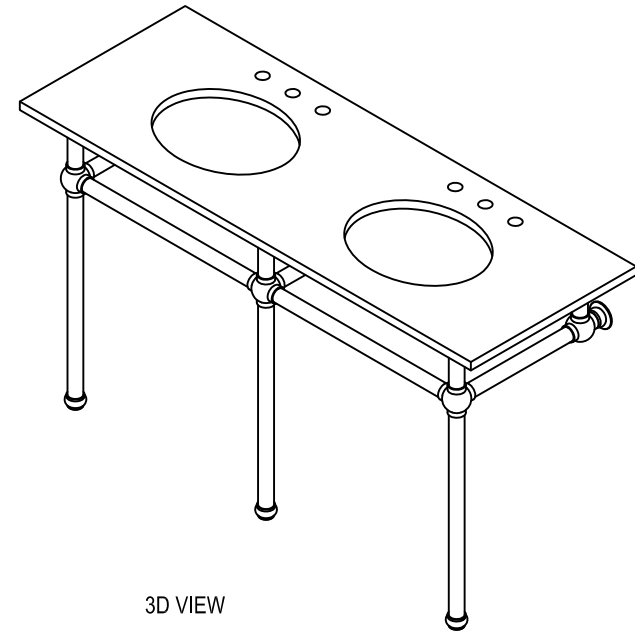


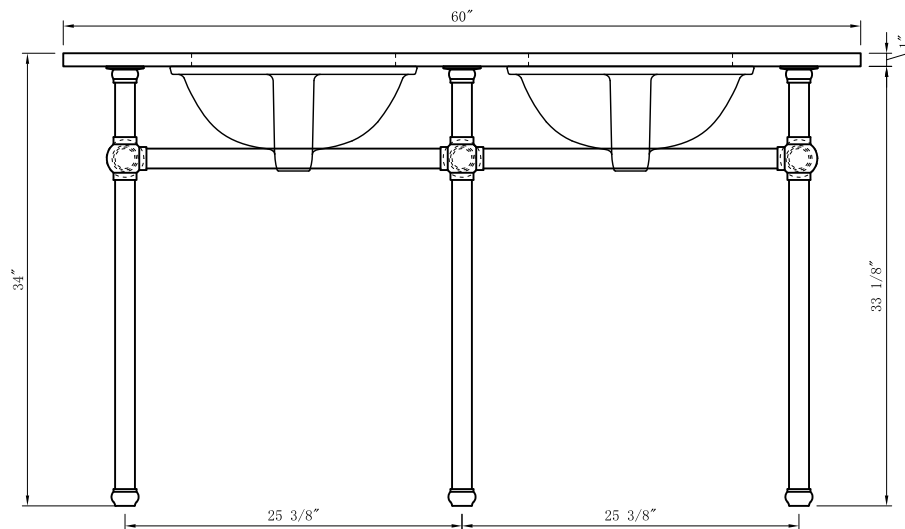
Dimensions



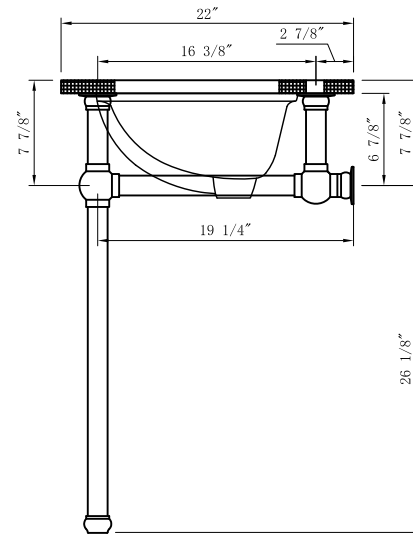
TOP VIEW



3D VIEW



FRONT VIEW



SIDE VIEW

