

Storage Cabinet B

User Manual

INTRODUCTION

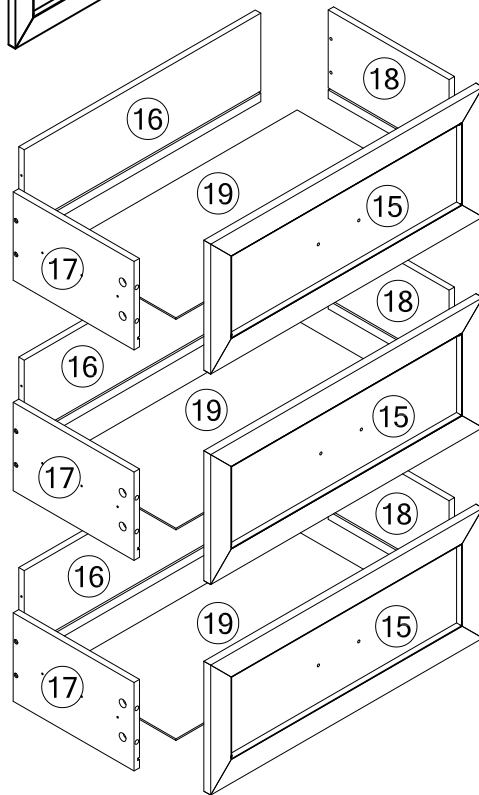
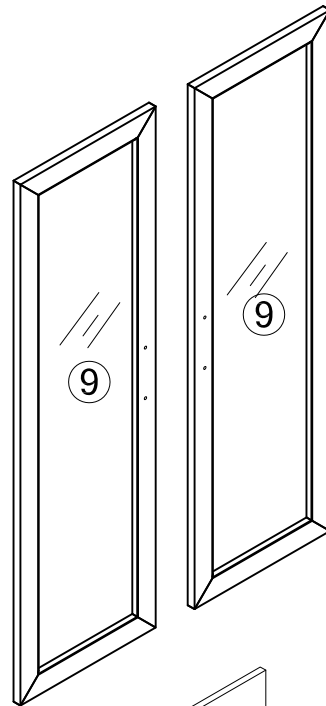
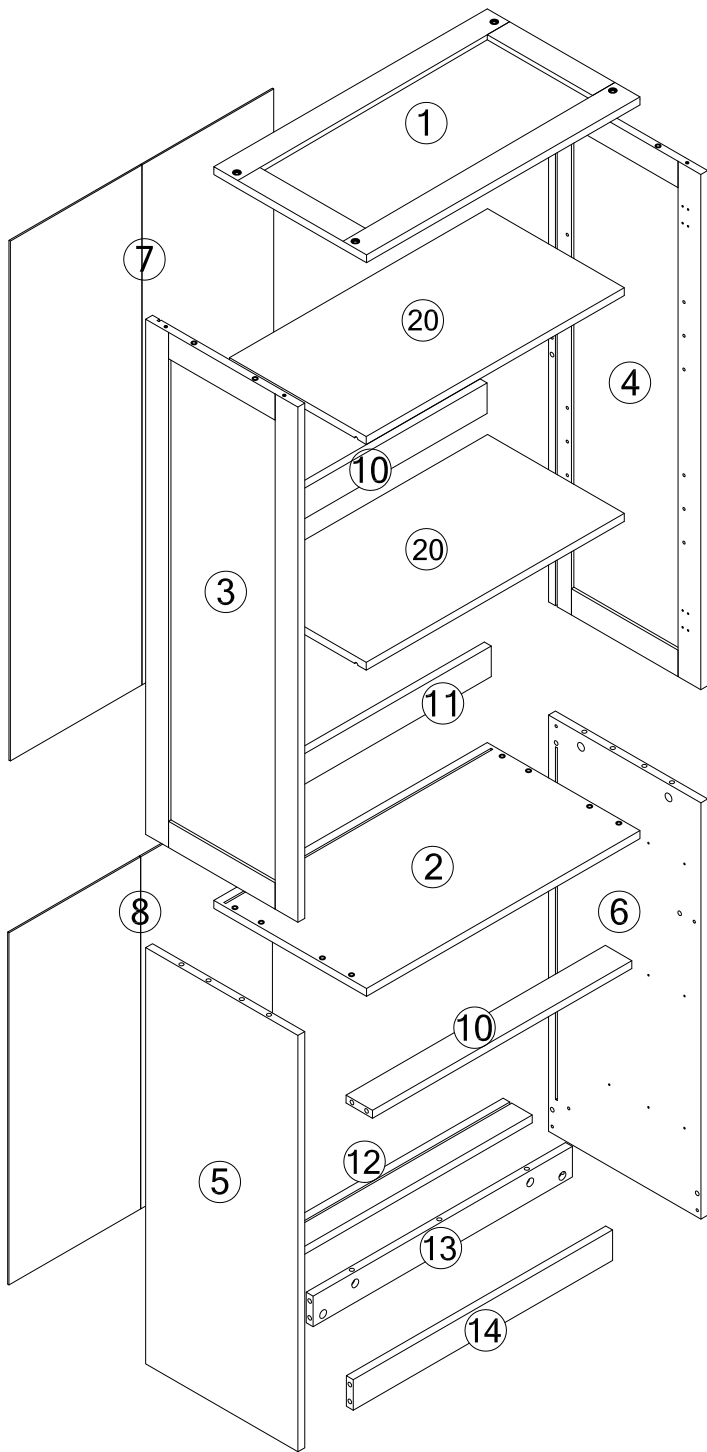
Thank you for purchasing our products. Committed to providing customers with the best quality products and service has always been our lifelong goal. Before using the product, please read this instruction manual carefully to ensure correct use. Keep the instruction manual in a place where the user can find it at any time.

PRECAUTIONS

1. There are many components and accessories in the package. Each component and accessory is labeled with a letter or a number, check carefully before using any of them. Keep them away from children to prevent accidents.
Please install the product on a clean and soft underlay (such as carpet or cardboard) to avoid scratching or damaging the surface of the product.
2. The main components of the product is relatively heavy. Please pay attention to safety during installation.
3. The product is not stable during installation. Please do not move it randomly before it is completely installed.
4. If you have any questions during installation, please contact the customer service in time.

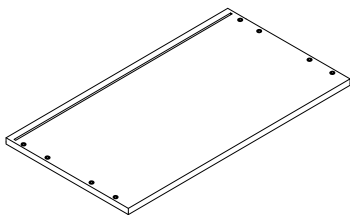
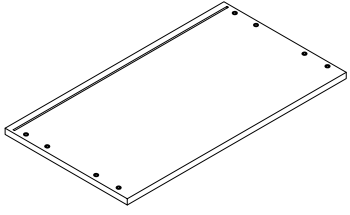
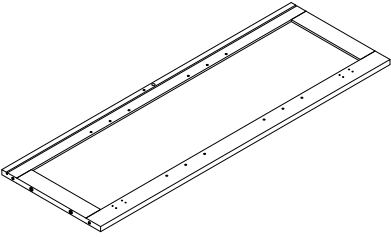
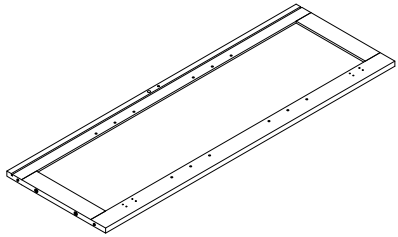
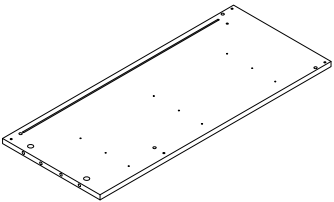
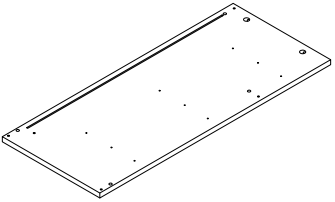
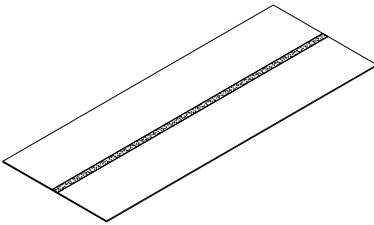
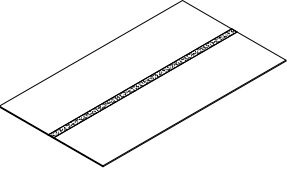
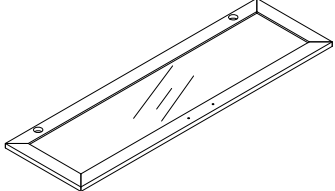
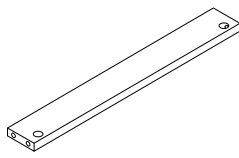
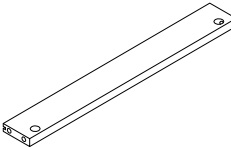
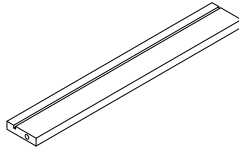
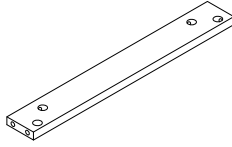
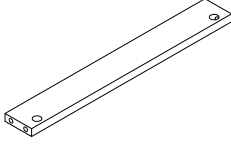
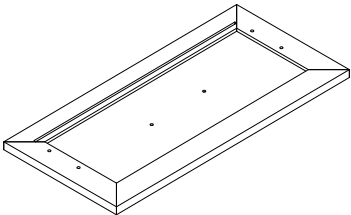
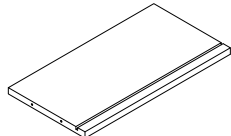
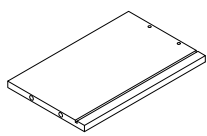
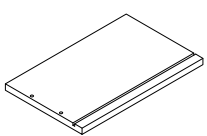
*PLEASE BE SURE TO FOLLOW THE INSTALLATION STEPS IN THE MANUAL TO AVOID UNNECESSARY LOSSES CAUSED BY IMPROPER INSTALLATION.

*IF YOU NEED FURTHER ASSISTANCE, PLEASE CONTACT THE CUSTOMER SERVICE ONLINE.



PARTS LIST

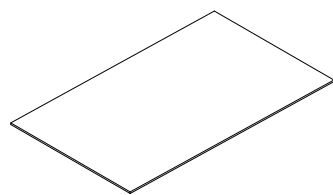
Unit(mm)

<p>① 600*335*15</p>  <p>x1</p>	<p>② 600*335*15</p>  <p>x1</p>	<p>③ 979*334*15</p>  <p>x1</p>
<p>④ 979*334*15</p>  <p>x1</p>	<p>⑤ 791*334*15</p>  <p>x1</p>	<p>⑥ 791*334*15</p>  <p>x1</p>
<p>⑦ 988*289*3</p>  <p>x2</p>	<p>⑧ 669*289*3</p>  <p>x2</p>	<p>⑨ 990*297*15</p>  <p>x2</p>
<p>⑩ 569*58*15</p>  <p>x2</p>	<p>⑪ 569*58*15</p>  <p>x1</p>	<p>⑫ 569*64*15</p>  <p>x1</p>
<p>⑬ 569*58*15</p>  <p>x1</p>	<p>⑭ 569*58*15</p>  <p>x1</p>	<p>⑮ 597*247*15</p>  <p>x3</p>
<p>⑯ 519*168*12</p>  <p>x3</p>	<p>⑰ 265*168*12</p>  <p>x3</p>	<p>⑱ 265*168*12</p>  <p>x3</p>

PARTS LIST

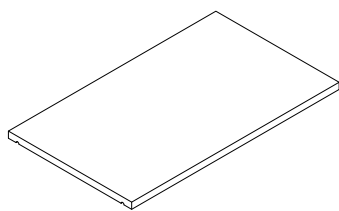
Unit(mm)

①9 528*262*3






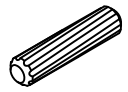



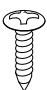
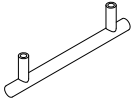
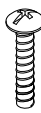

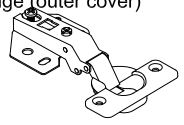


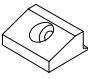


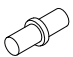

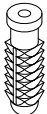
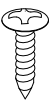
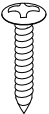

x3

②0 566*300*12



x2

HARDWARES LIST

<p>A Ø5*25mm</p>  <p>x30 pcs</p>	<p>B Ø15*11mm</p>  <p>x18 pcs</p>	<p>C Ø15*9mm</p>  <p>x12 pcs</p>	<p>D Ø8*30mm</p>  <p>x23 pcs</p>	<p>E Ø23mm</p>  <p>x30 pcs</p>	<p>F Ø6*50mm</p>  <p>x8 pcs</p>
<p>G 10"*35mm</p>  <p>x6 pcs</p>	<p>H Ø3.5x12mm</p>  <p>x36 pcs</p>	<p>J 128*12*38mm</p>  <p>x5 pcs</p>	<p>K 5/32"x22mm</p>  <p>x4 pcs</p>	<p>L 5/32"x10mm</p>  <p>x6 pcs</p>	<p>M Buffered straight arm door hinge (outer cover)</p>  <p>x4 pcs</p>
<p>N Ø3.5*14mm</p>  <p>x24 pcs</p>	<p>O M4</p>  <p>x1 pcs</p>	<p>P 16x16*10.5mm</p>  <p>x16 pcs</p>	<p>Q Ø3x17mm</p>  <p>x16 pc</p>	<p>R Ø4*30mm</p>  <p>x12 pc</p>	<p>S Ø5x16mm</p>  <p>x8 pcs</p>
<p>T 10g</p>  <p>x1 pcs</p>	<p>U Ø8.5x30</p>  <p>x2 pc</p>	<p>V Ø4x18</p>  <p>x2 pc</p>	<p>W Ø4x25</p>  <p>x2 pc</p>	<p>X 140x25</p>  <p>x2 pc</p>	

Slides Must Be Separated Before Assembly.

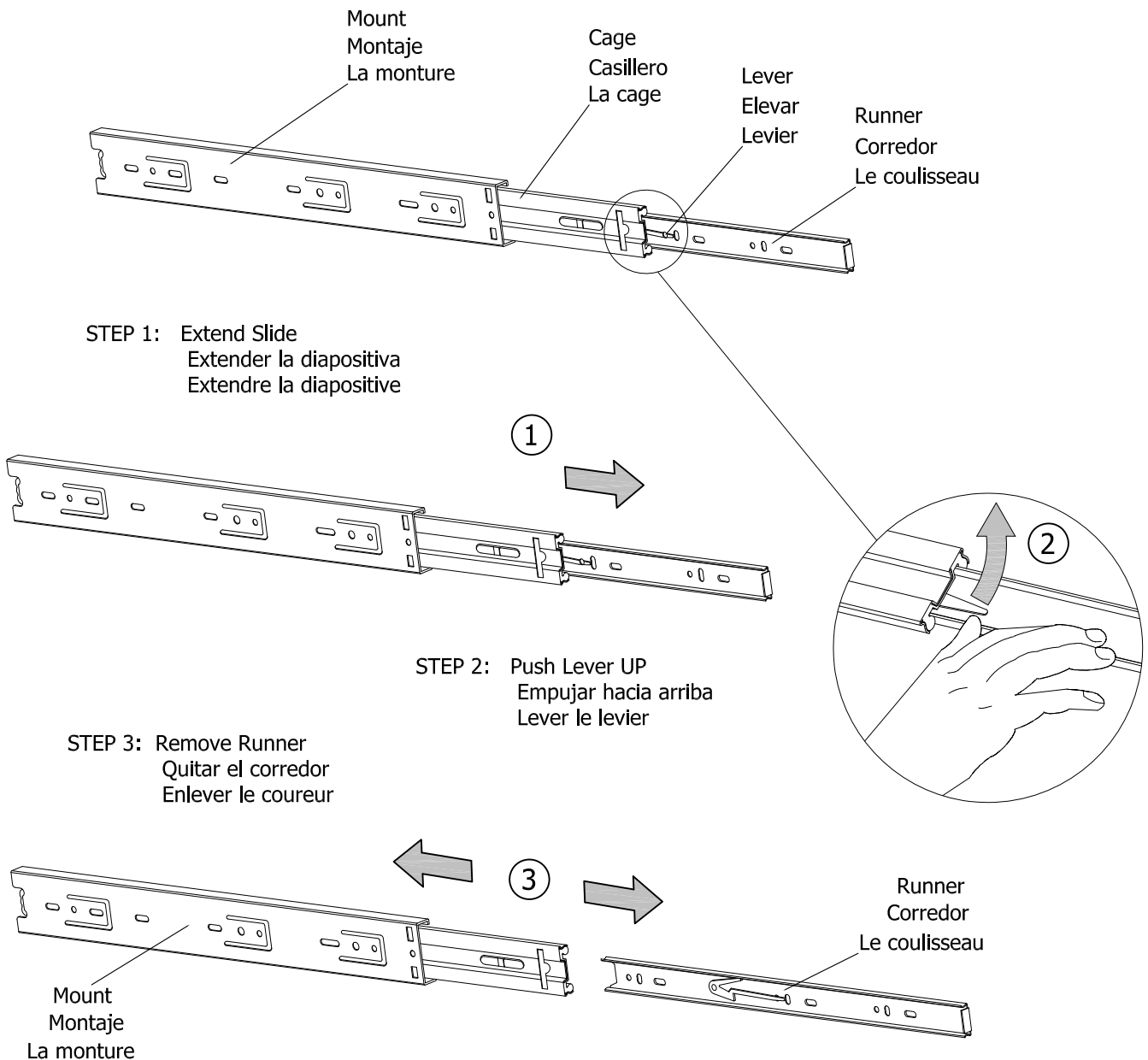
After Separated, Set Aside Until Needed for Assembly.

Las diapositivas deben separarse antes del montaje.

Después de la separación, déjelo a un lado hasta que sea necesario.

Les glissières doivent être séparées avant l'assemblage.

Après la séparation, mettez de côté jusqu'au moment de l'assemblage.

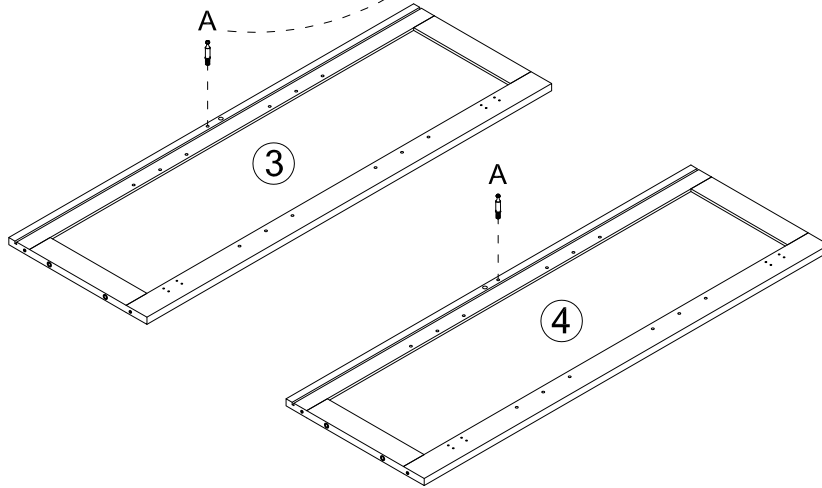
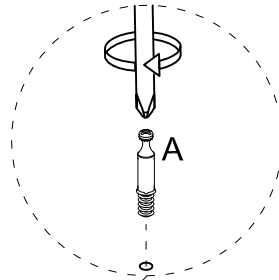


INSTALLATION STEPS

1

YOU WILL NEED

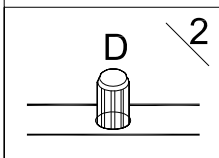
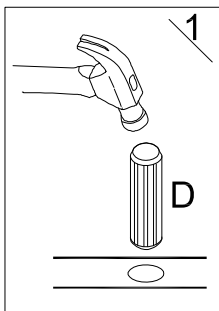
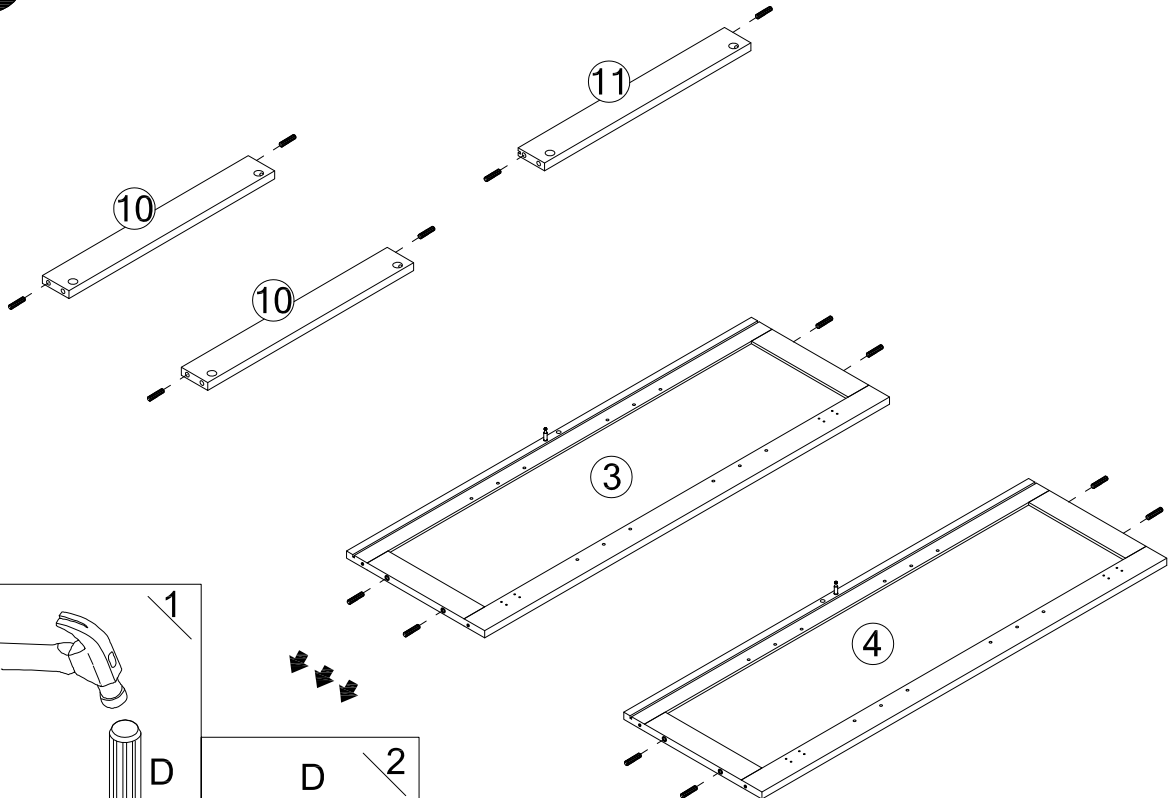
Ax2



2

YOU WILL NEED

Dx14

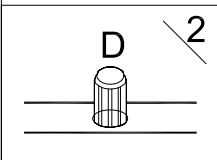
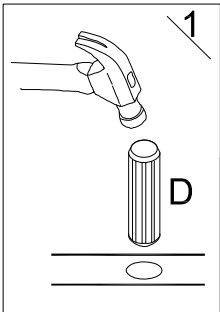
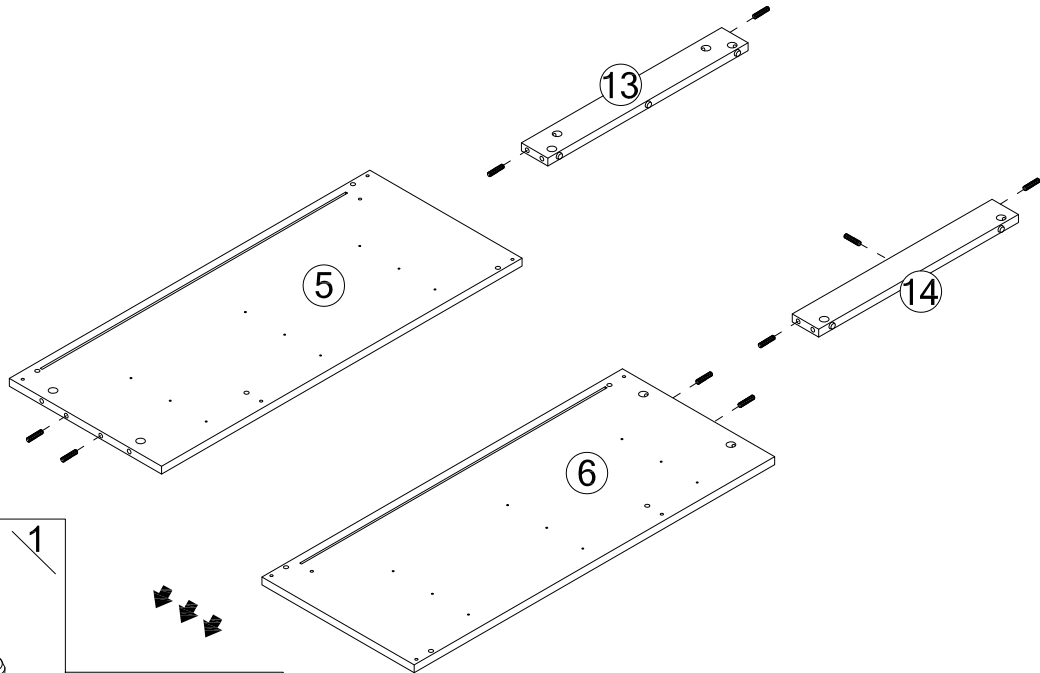


INSTALLATION STEPS

3

YOU WILL NEED

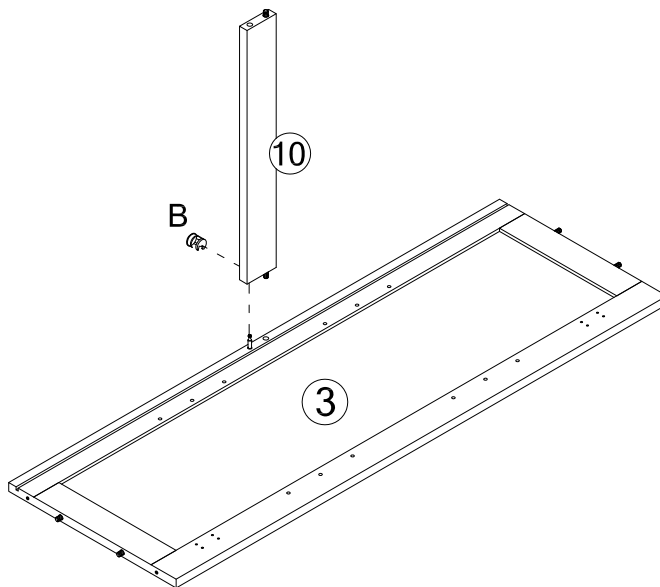
Dx9



4

YOU WILL NEED

Bx1

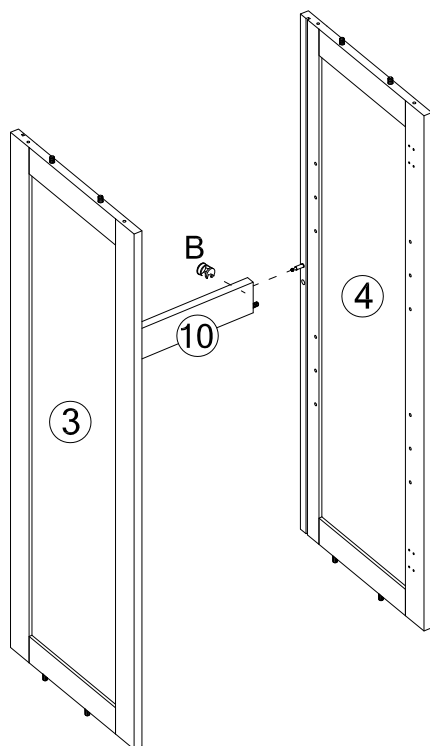


INSTALLATION STEPS

5

YOU WILL NEED

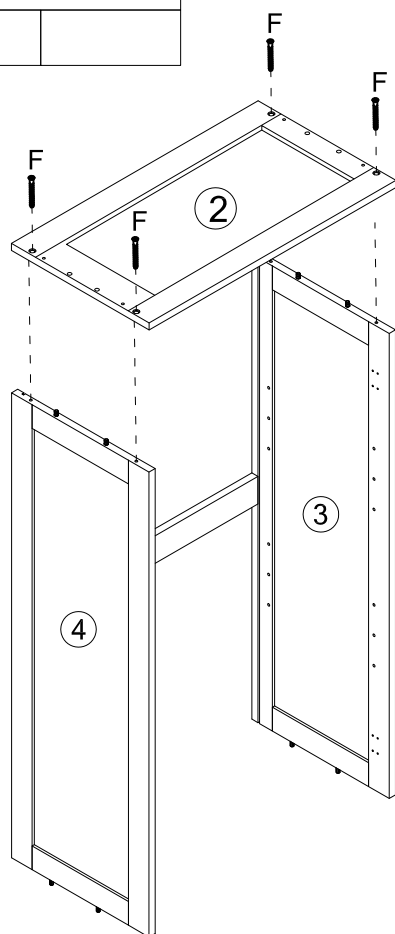
Bx1		
-----	--	--



6

YOU WILL NEED

Fx4		
-----	--	--

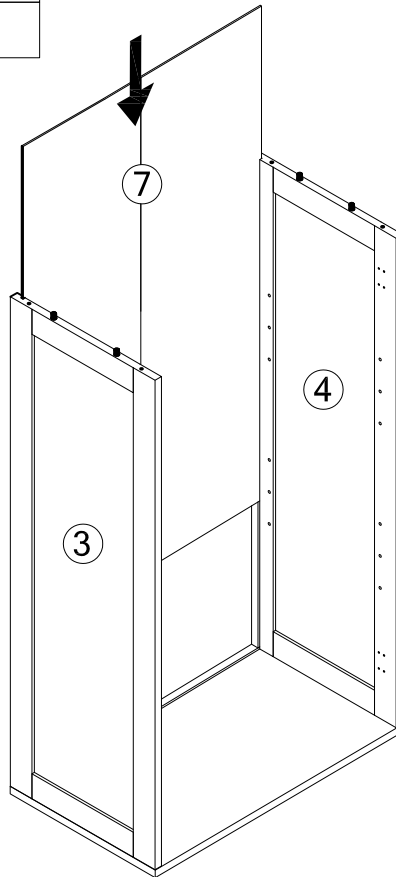


INSTALLATION STEPS

7

YOU WILL NEED

--	--	--

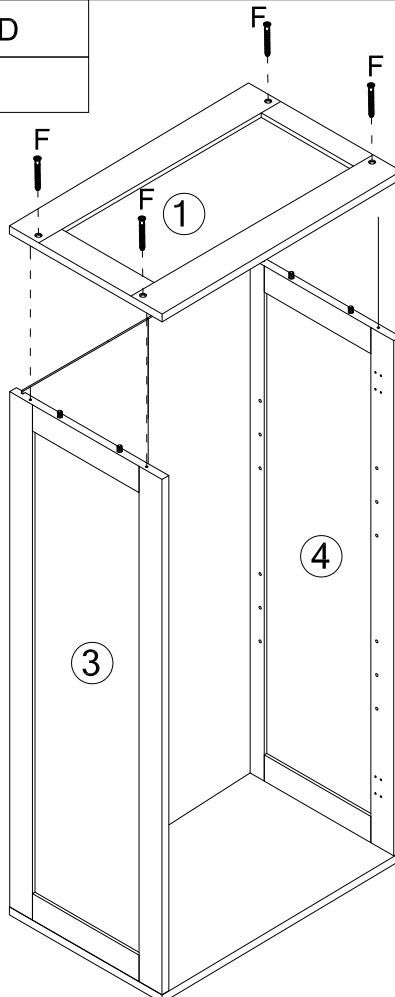


8

YOU WILL NEED

Fx4

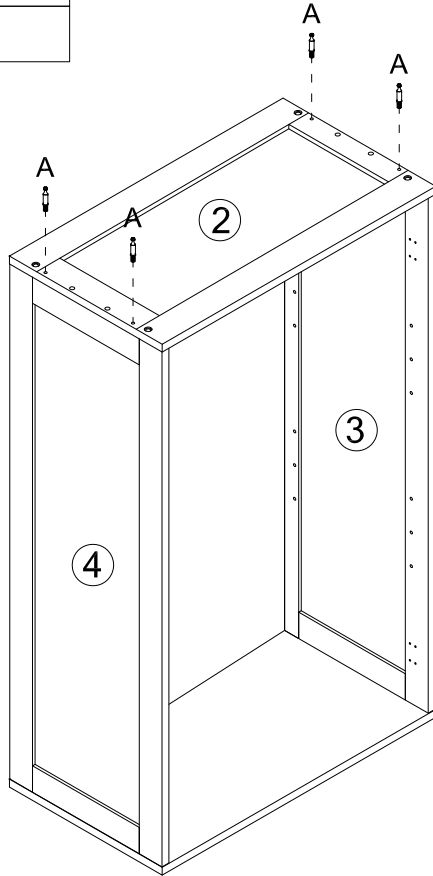
--	--



INSTALLATION STEPS

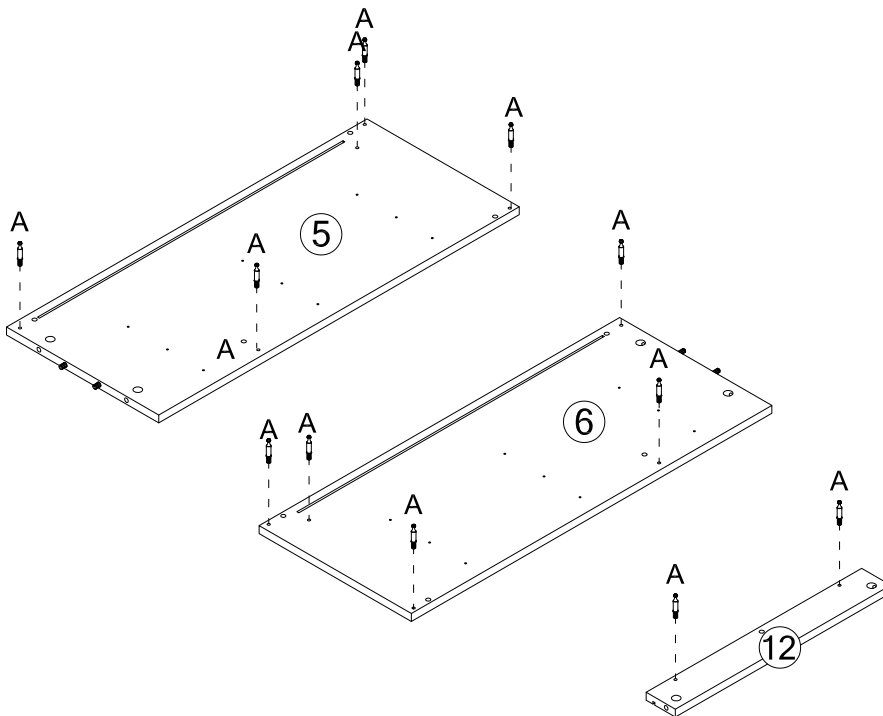
9

YOU WILL NEED		
Ax4		



10

YOU WILL NEED		
Ax12		



INSTALLATION STEPS

11

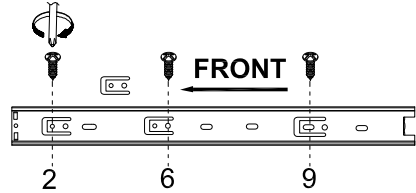
YOU WILL NEED

Gx6

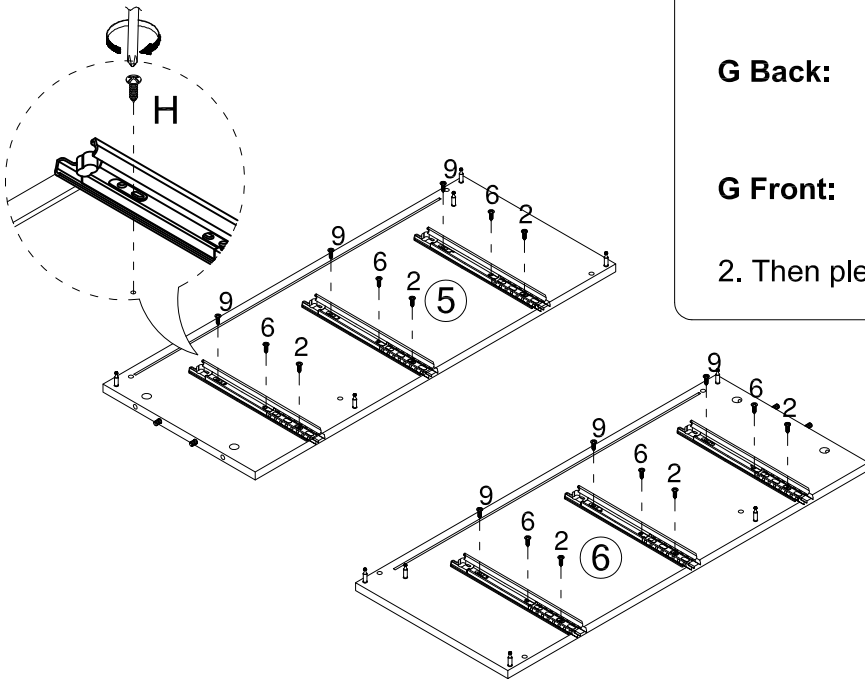
Hx18

ATTENTION:

1. Please locate the holes from the back of part G.



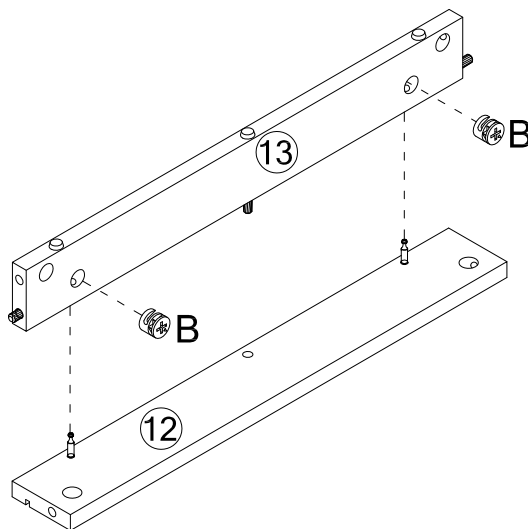
2. Then please install part H from the front of part G.



12

YOU WILL NEED

Bx2

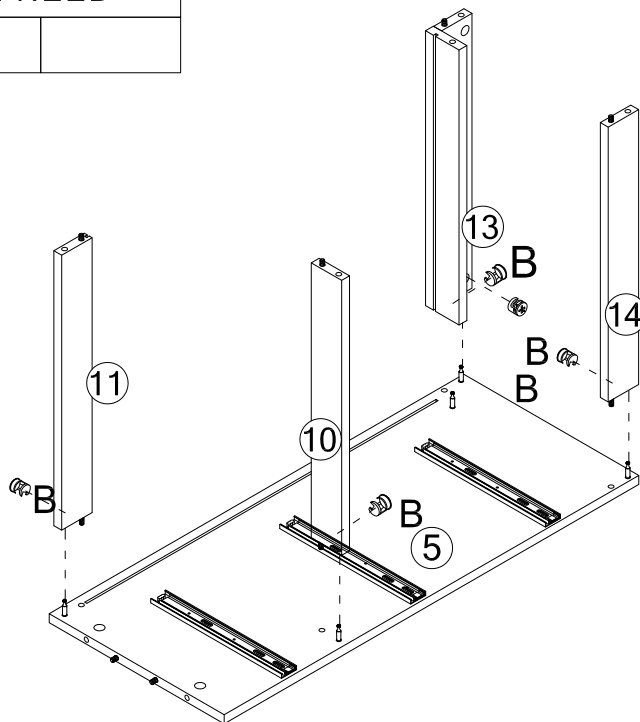


INSTALLATION STEPS

13

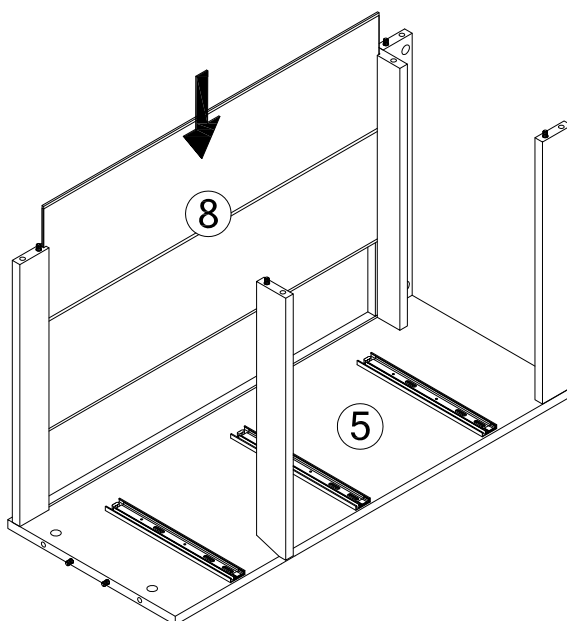
YOU WILL NEED

Bx5		
-----	--	--



14

YOU WILL NEED



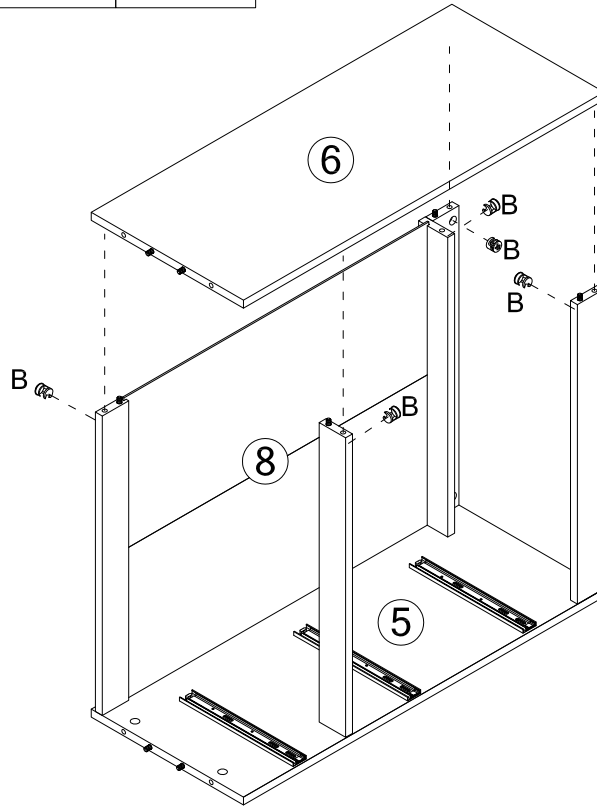
INSTALLATION STEPS

15

YOU WILL NEED

Bx5

--	--	--

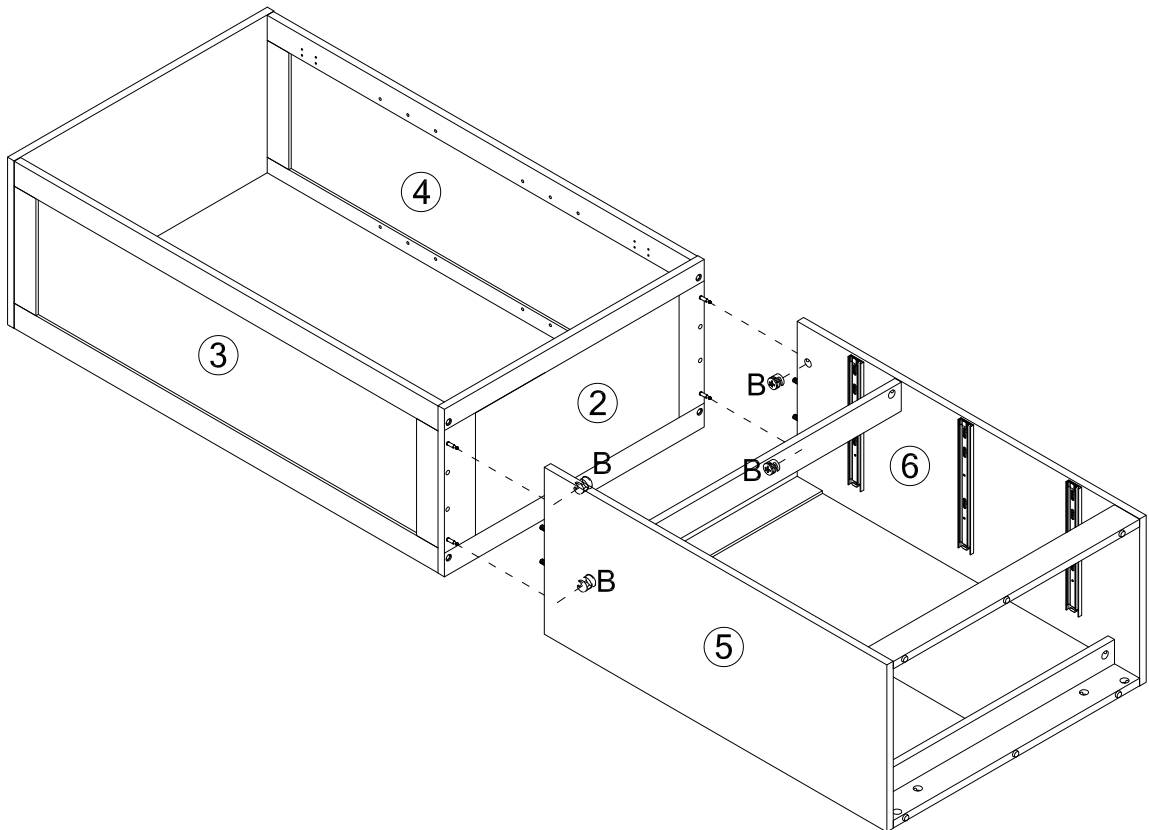


16

YOU WILL NEED

Bx4

--	--	--



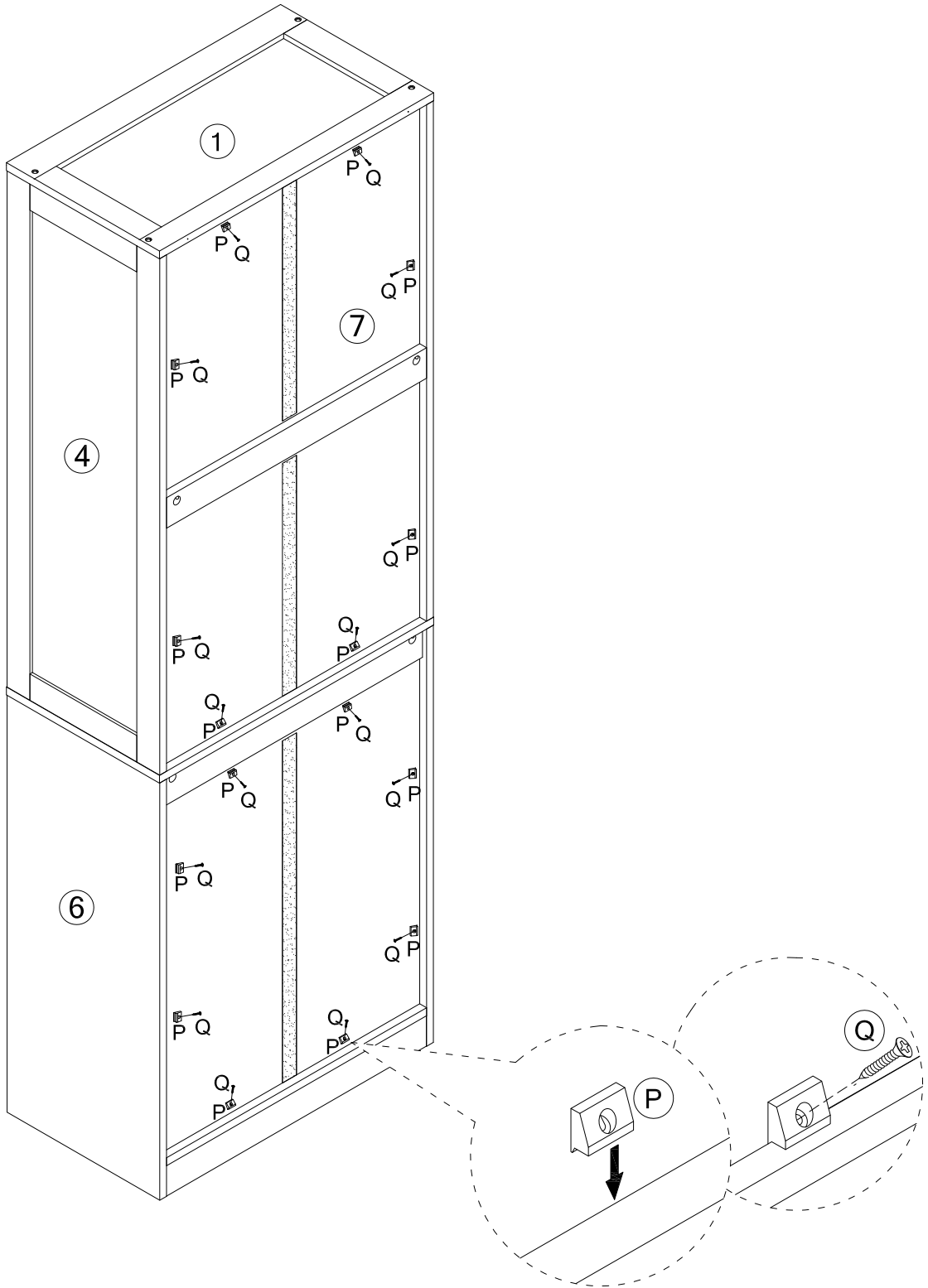
INSTALLATION STEPS

17

YOU WILL NEED

Px16

Qx16

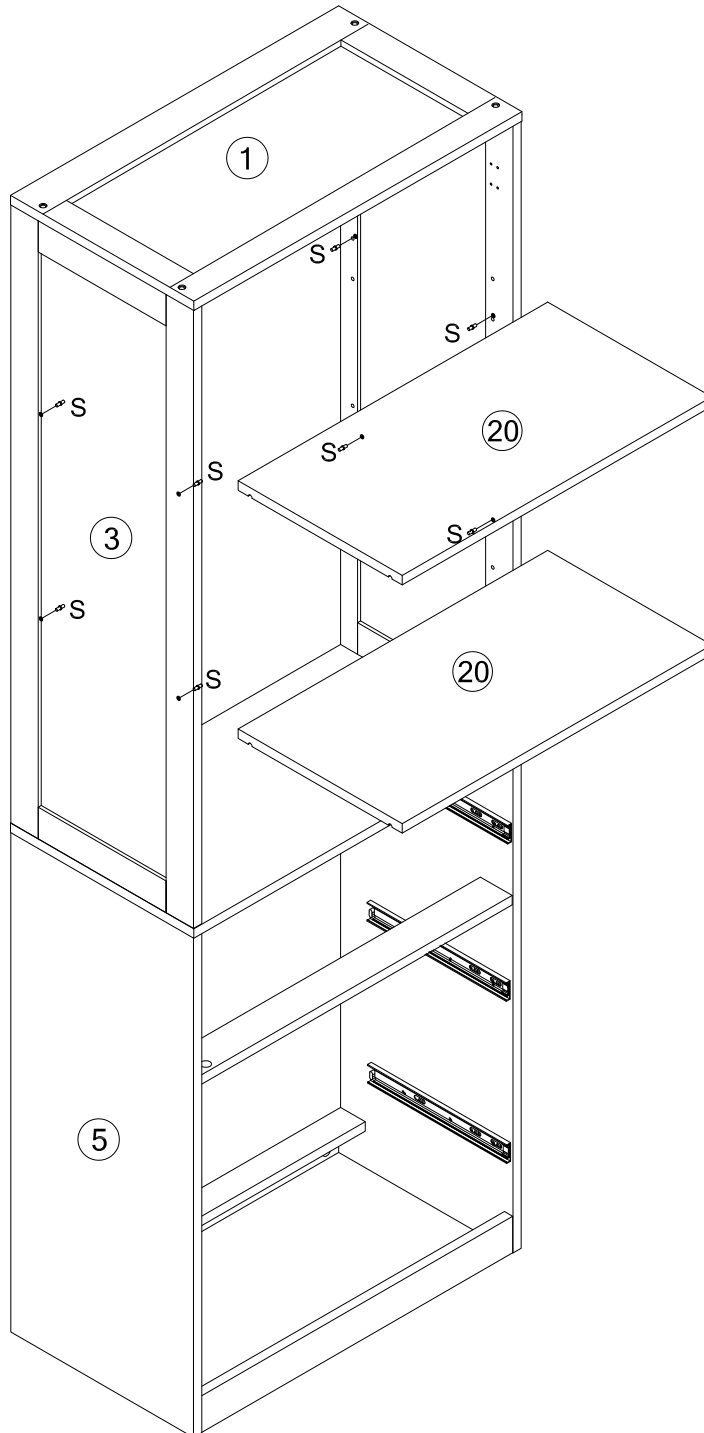


INSTALLATION STEPS

18

YOU WILL NEED

Sx8



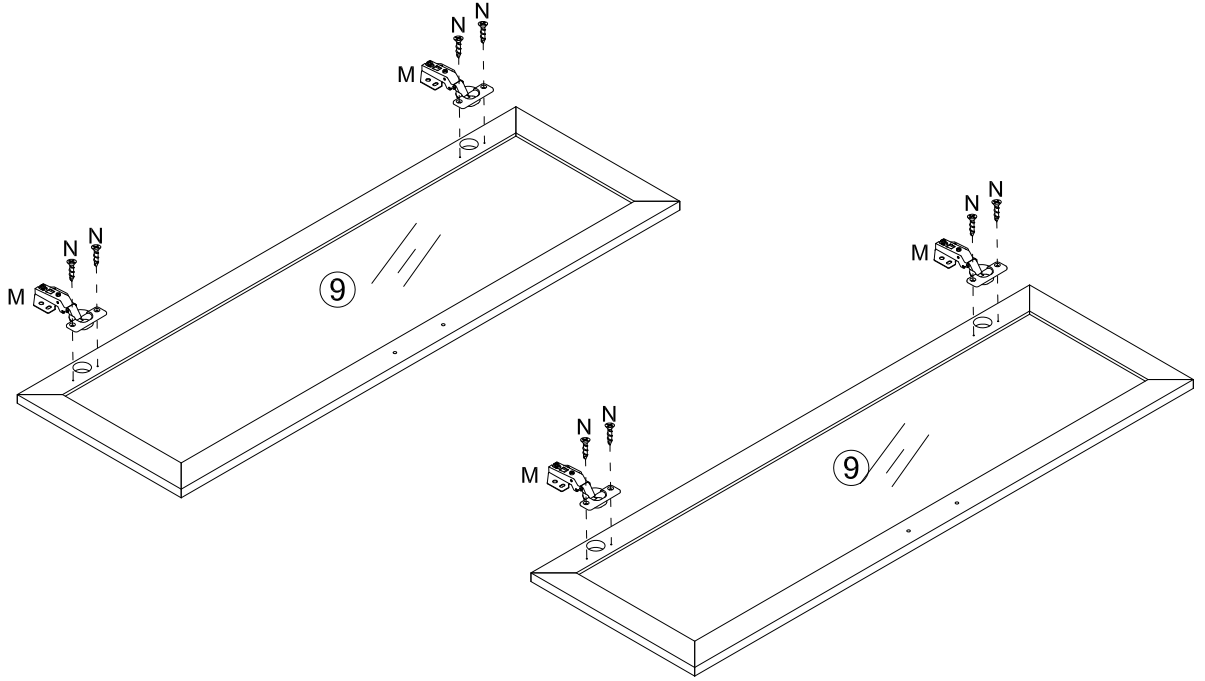
INSTALLATION STEPS

19

YOU WILL NEED

Mx4

Nx8

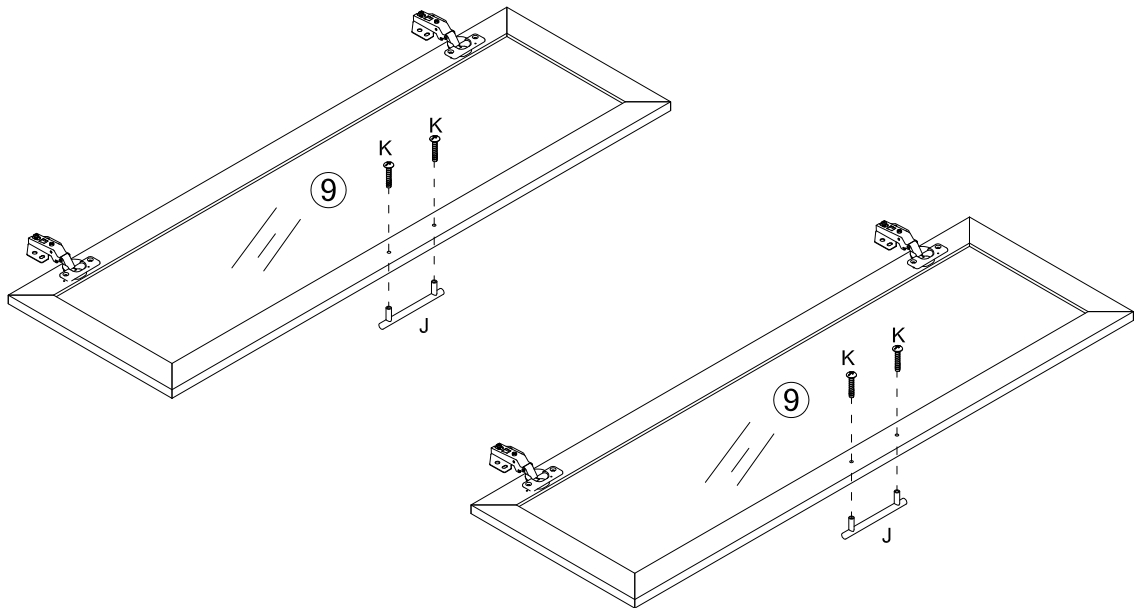


20

YOU WILL NEED

Jx2

Kx4

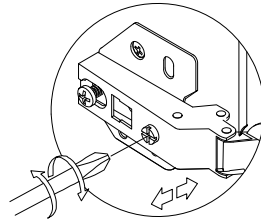
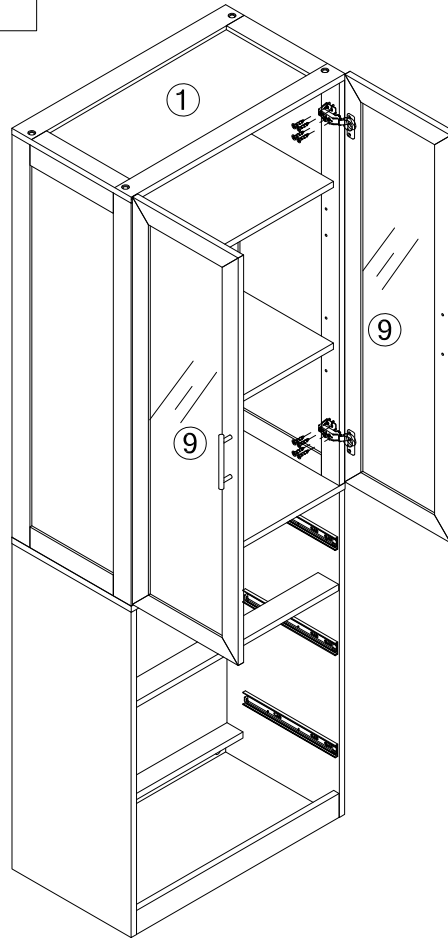
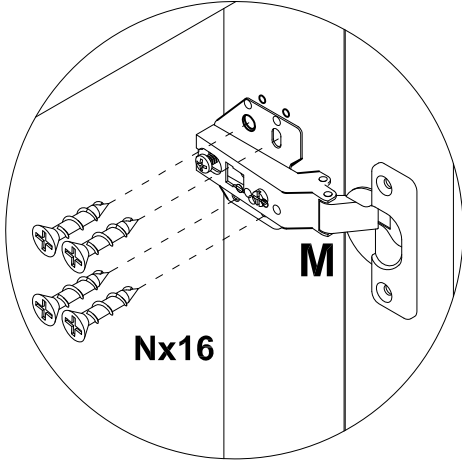


INSTALLATION STEPS

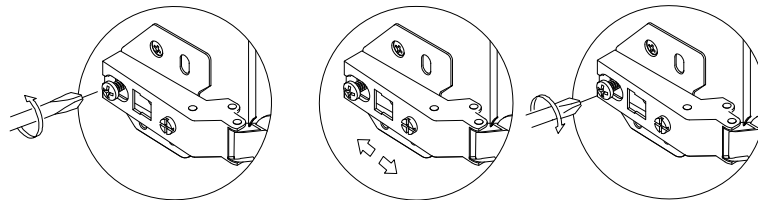
21

YOU WILL NEED

Nx16



This is used to adjust the door panel in the left and right direction.



This is used to adjust the door panel in the front and back direction: Loosen screws of I according to the diagram, and then tighten screw after adjusting the door panel to the proper position.

INSTALLATION STEPS

22

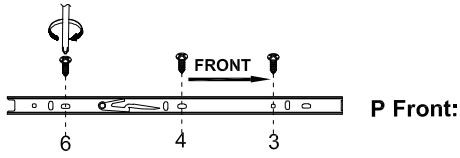
YOU WILL NEED

G2x6

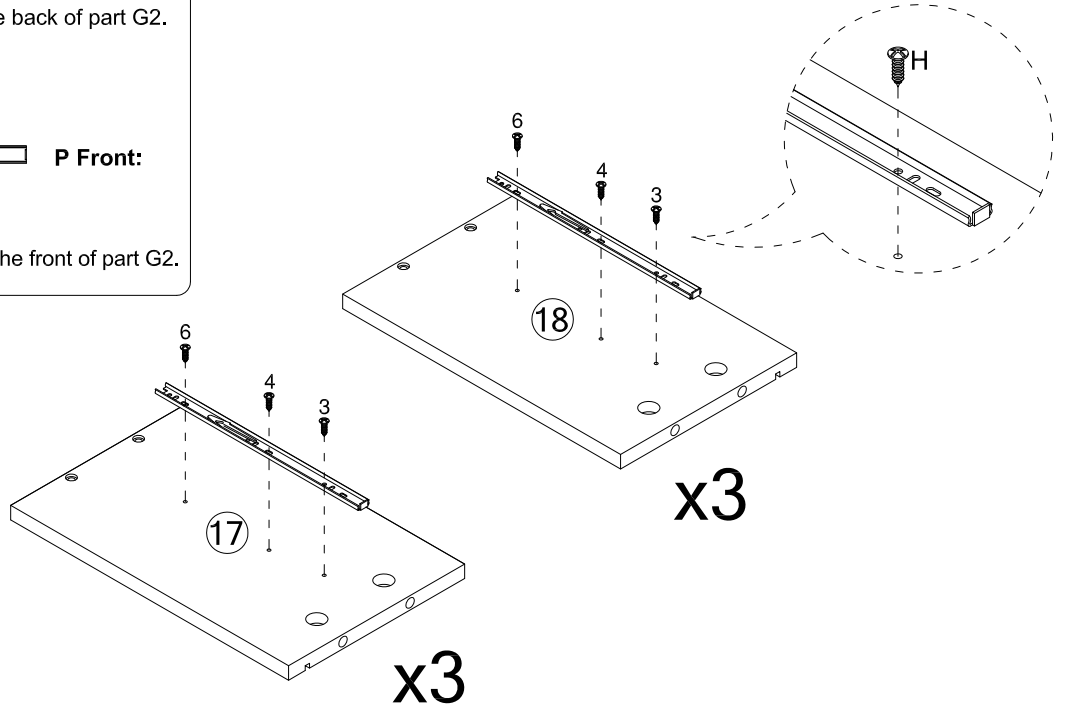
Hx18

ATTENTION:

1. Please locate the holes from the back of part G2.



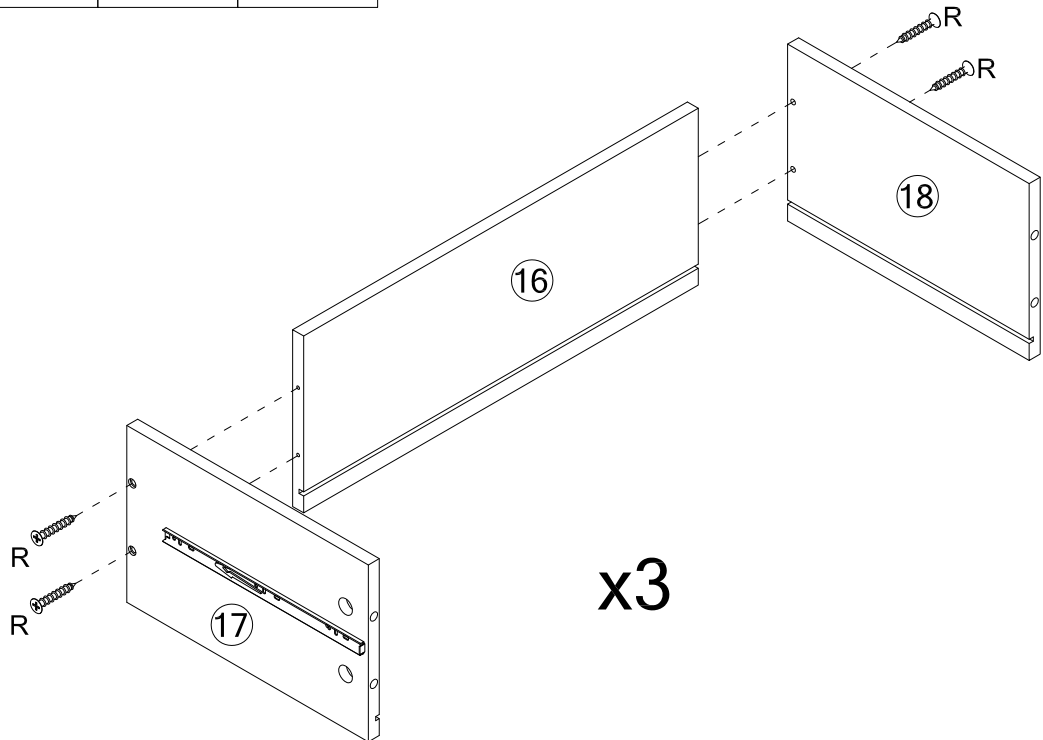
2. Then please install part H from the front of part G2.



23

YOU WILL NEED

Rx12

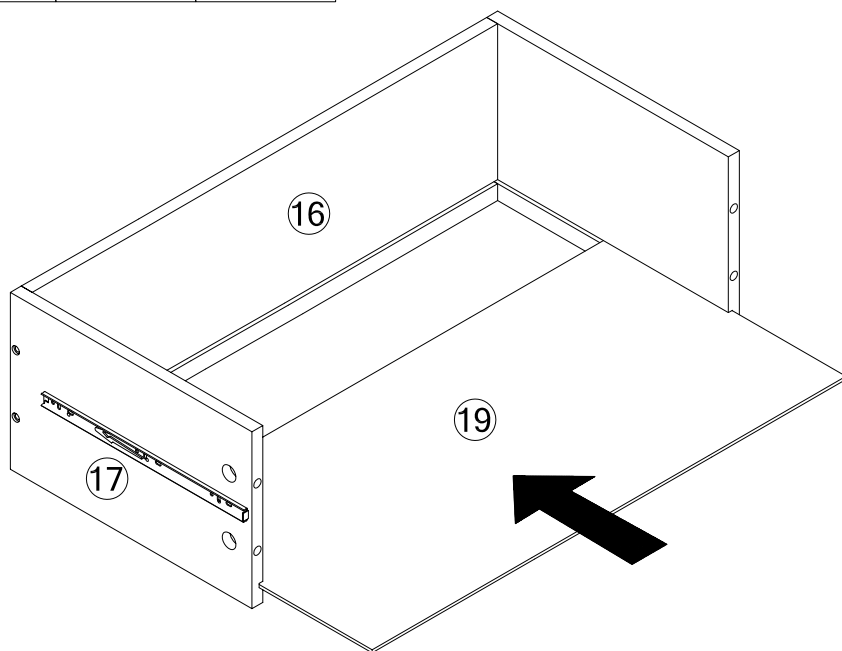


INSTALLATION STEPS

24

YOU WILL NEED

--	--	--



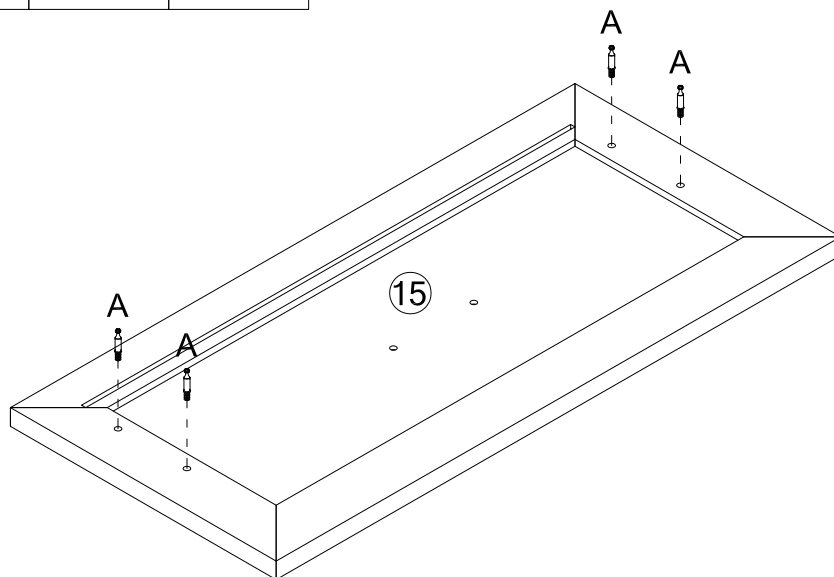
x3

25

YOU WILL NEED

Ax12

--	--



x3

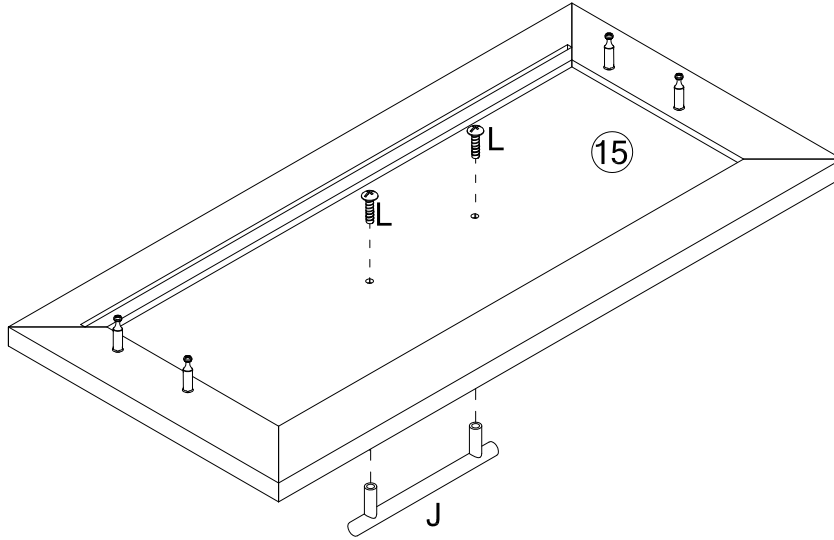
INSTALLATION STEPS

26

YOU WILL NEED

Jx3

Lx6



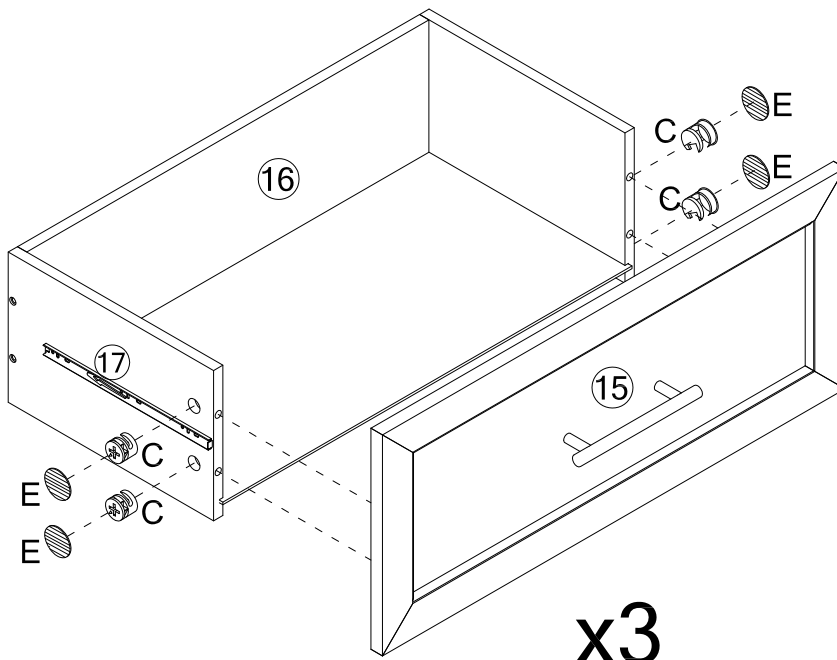
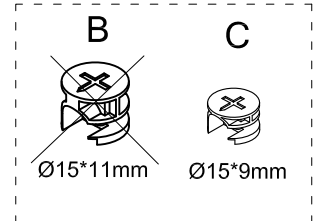
x3

27

YOU WILL NEED

Cx12

Ex12



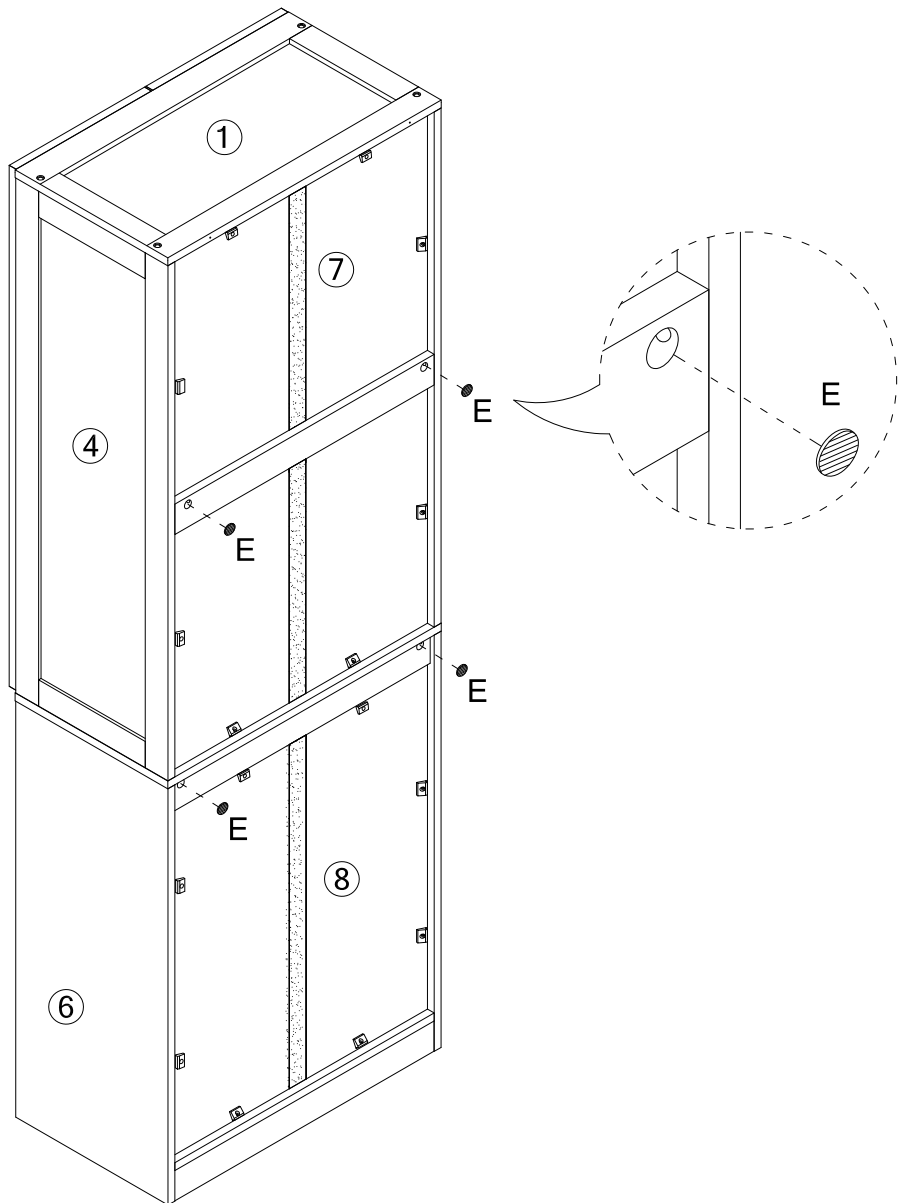
x3

INSTALLATION STEPS

28

YOU WILL NEED

Ex18

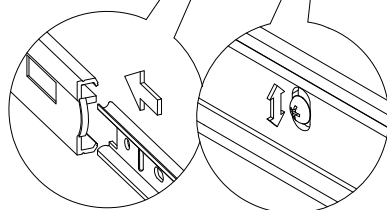
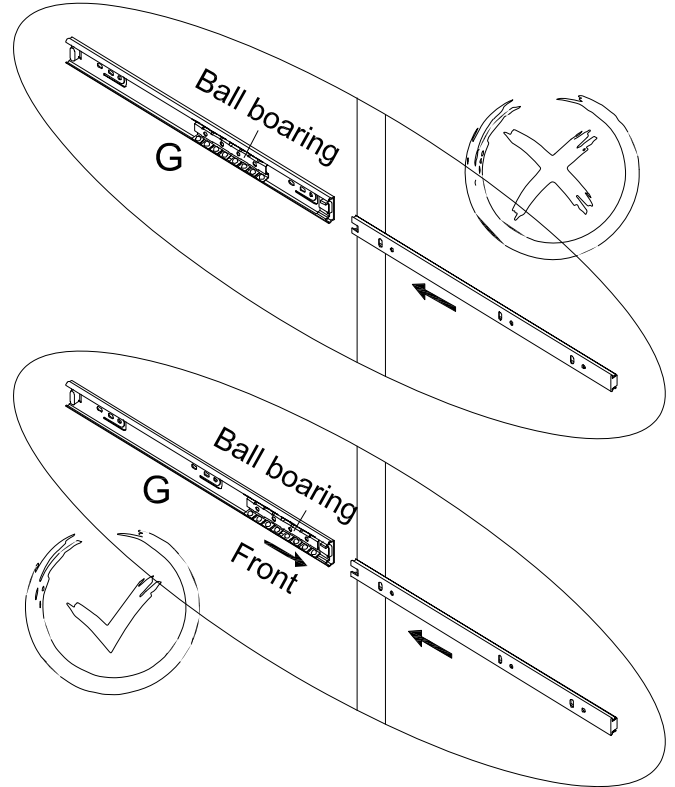
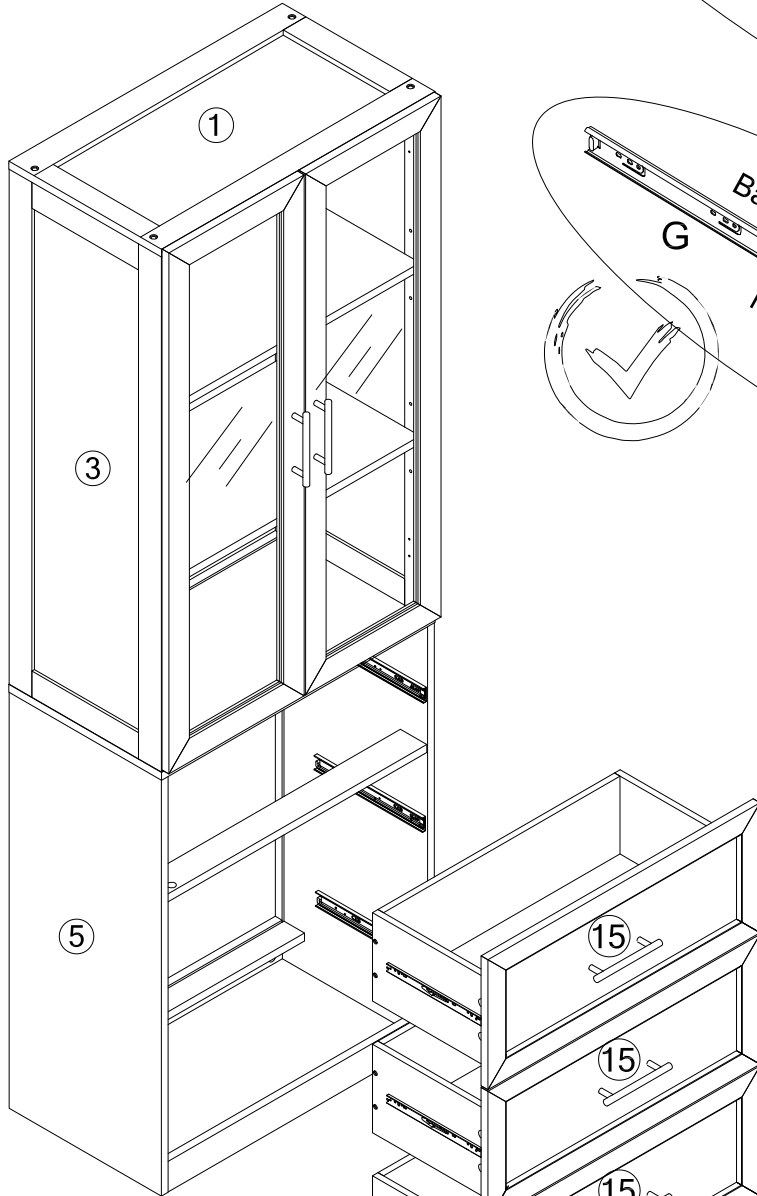


INSTALLATION STEPS

29

YOU WILL NEED

--	--	--



INSTALLATION STEPS

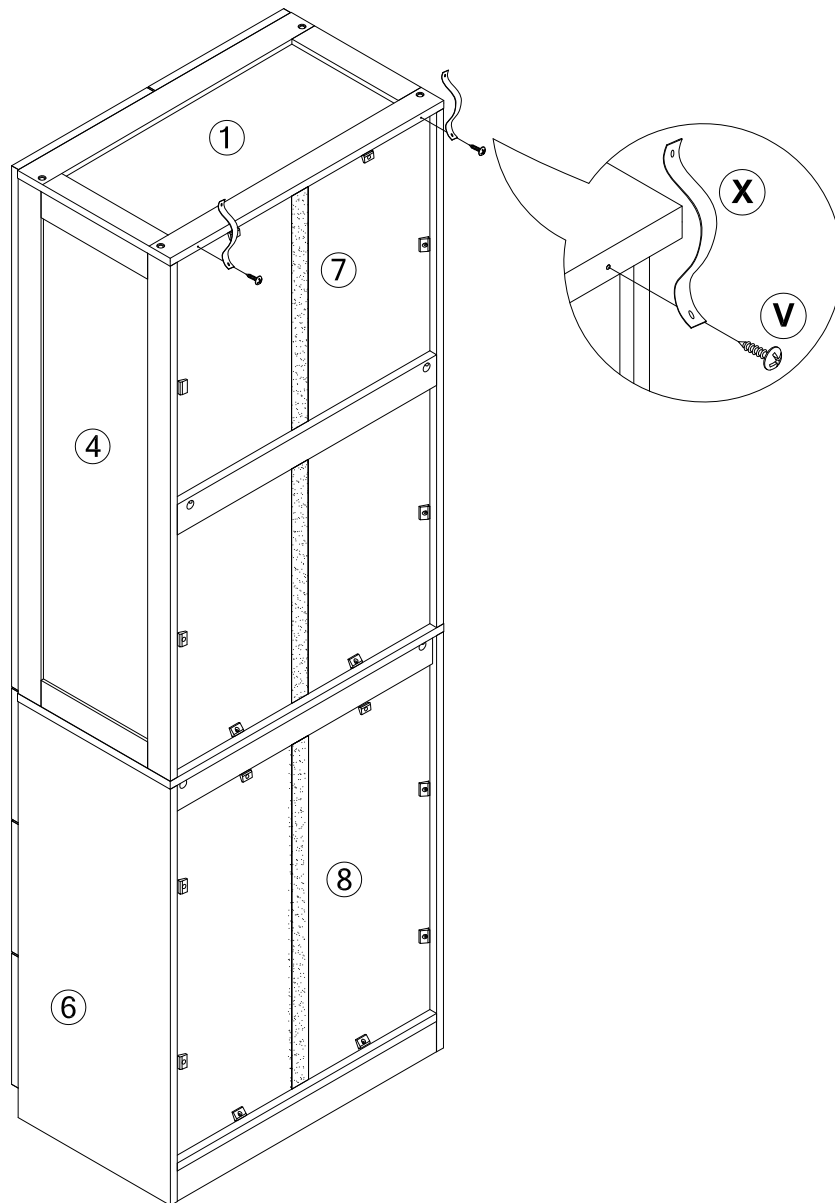
30

YOU WILL NEED

Xx2

Vx2

Attach anti-tipping straps to the back of the sideboard.



INSTALLATION STEPS

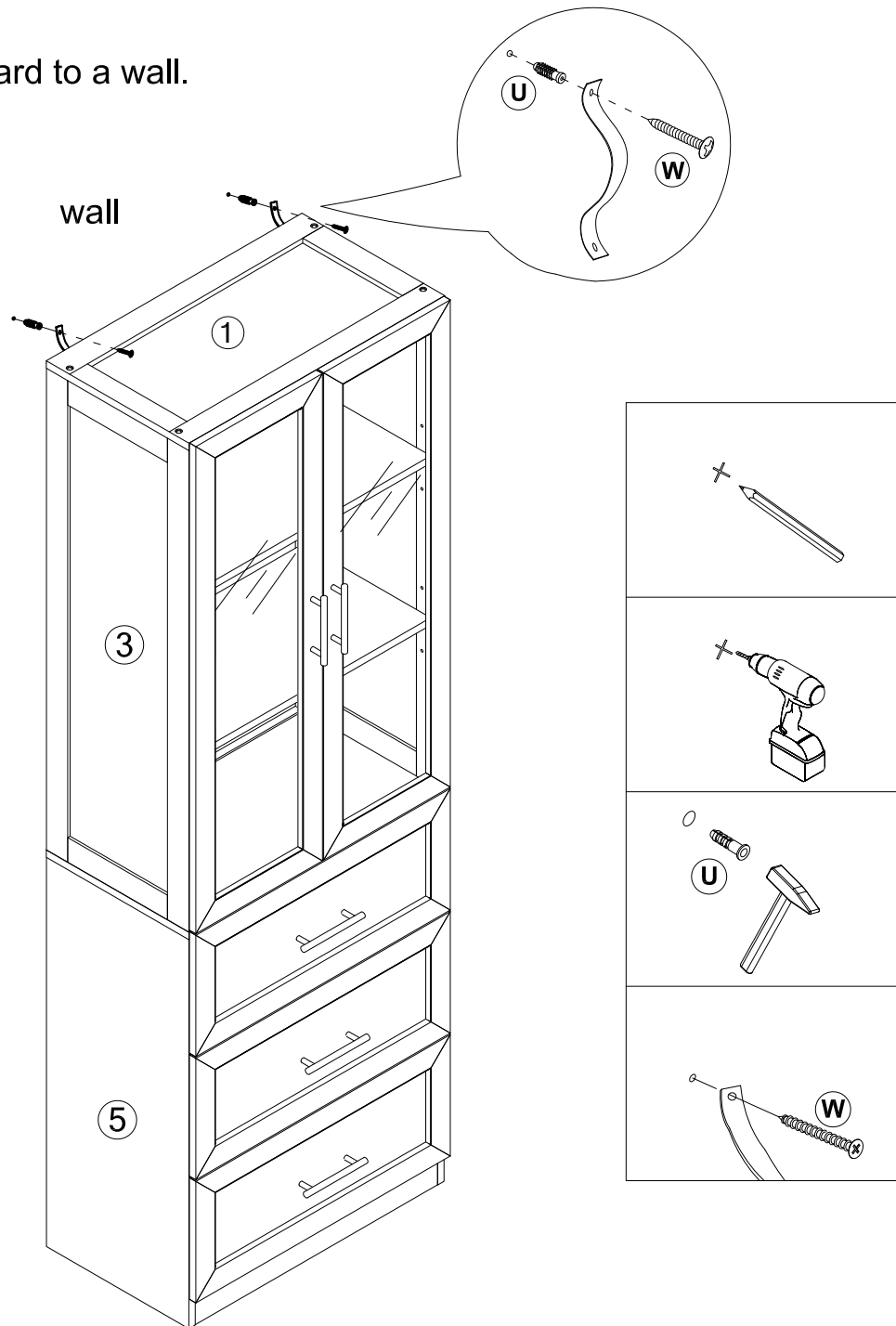
31

YOU WILL NEED

Ux2

Wx2

Affix the sideboard to a wall.



Furniture must permanently fixed to the wall stud with included anti-tipping device to prevent the furniture from tipping over.

- Mark the drill position on the wall with a pencil.
- Drill a small hole on the marked position.
- Insert a wall anchor into the drilled hole.
- Fixed the anti-tipping strap to the wall with provided screws.

Model: RS-72

HUI ZHOU LIFA WOOD PRODUCTS CO.,LTD

Add: YongPing Village, Tonghu Town,

Zhongkai High-tech District, Huizhou

City, Guang dong Province, China.

Made in China.  