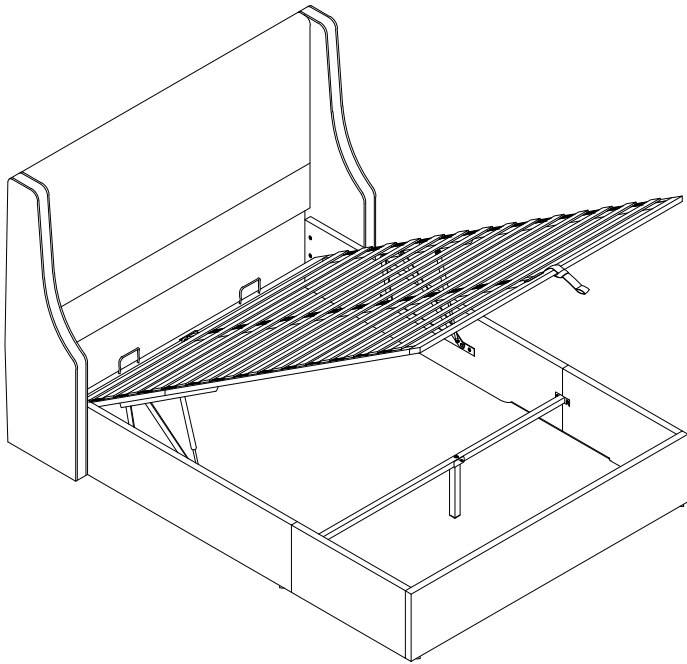


# STANDARD BED



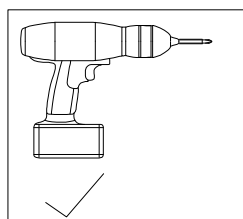
**WARNING: OPEN THE HEADBOARD BACK ZIPPER, THE BED REST PARTS IN IT.**



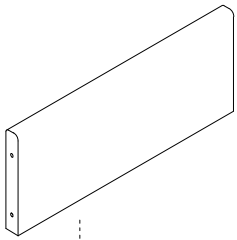
**Please TEAR OFF this shrink film from side!  
DO NOT USE CUTTER!**

## IMPORTANT NOTE

1. FOR THE PROTECTION OF YOUR FURNITURE, PLACE ALL PARTS ON A CLEAN AND SMOOTH SURFACE TO PREVENT ANY DAMAGE.
2. DO NOT USE POWER TOOLS TO ASSEMBLE THE BED.
3. PLEASE PERIODICALLY CHECK ALL FITTINGS AND RE-TIGHTEN AS NECESSARY.
4. DO NOT USE THE BED UNLESS ALL BOLTS AND SCREWS ARE FIRMLY SECURED.
5. NEED PARTS OR ASSISTANCE? EMAIL US.
6. YOU CAN ASSEMBLE IT WITH OUR PACKAGING TOOLS OR WITH A.



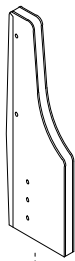
## PART LIST



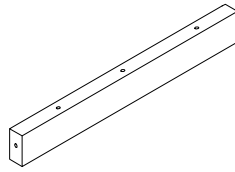
1 x 1pc



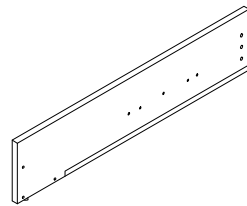
2 x 1pc



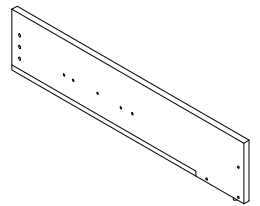
3 x 1pc



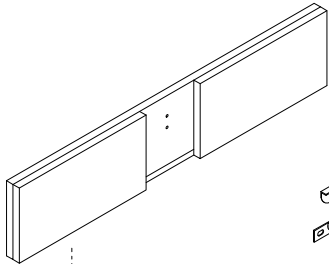
4 x 1pc



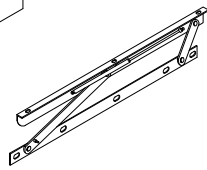
5 x 1pc



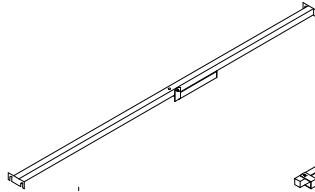
6 x 1pc



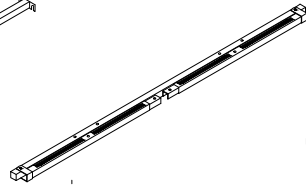
7 x 1pc



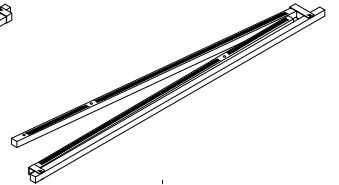
8 x 1pc



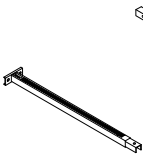
9 x 1pc



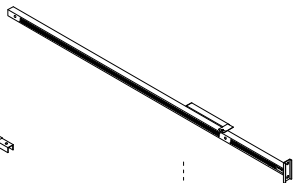
10 x 1pc



11 x 1pc



12 x 1pc



13 x 1pc



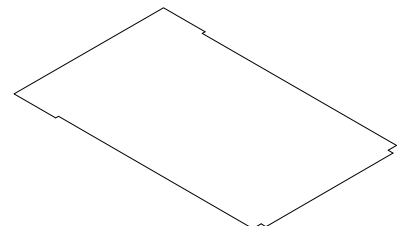
14 x 2pcs



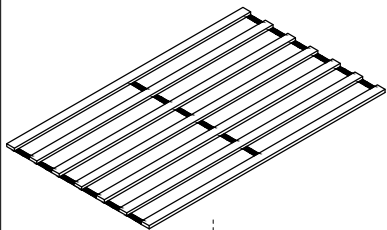
15 x 2pcs



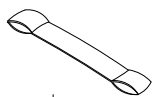
16 x 1pc



17 x 1pc



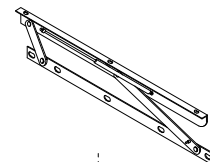
18 x 2pcs



19 x 1pc



20 x 2pcs



21 x 1pc

## HARDWARE LIST



H1 M5 x 1pc



H2 M8x25mm x 23pcs



H3 M8x35mm x 11pcs



H4 M8x60mm x 14pcs



H5 M8 x 48pcs



H6 M8x17mm x 44pcs



H7 M8 x 6pcs



H8 M14 x 1pc



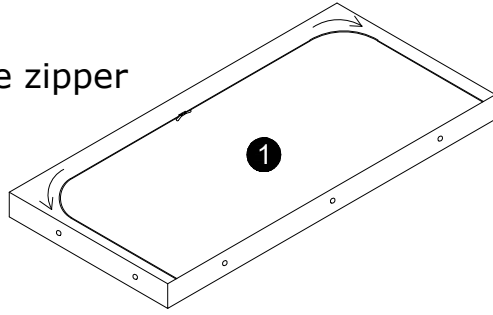
H9 M8x45mm x 8pcs



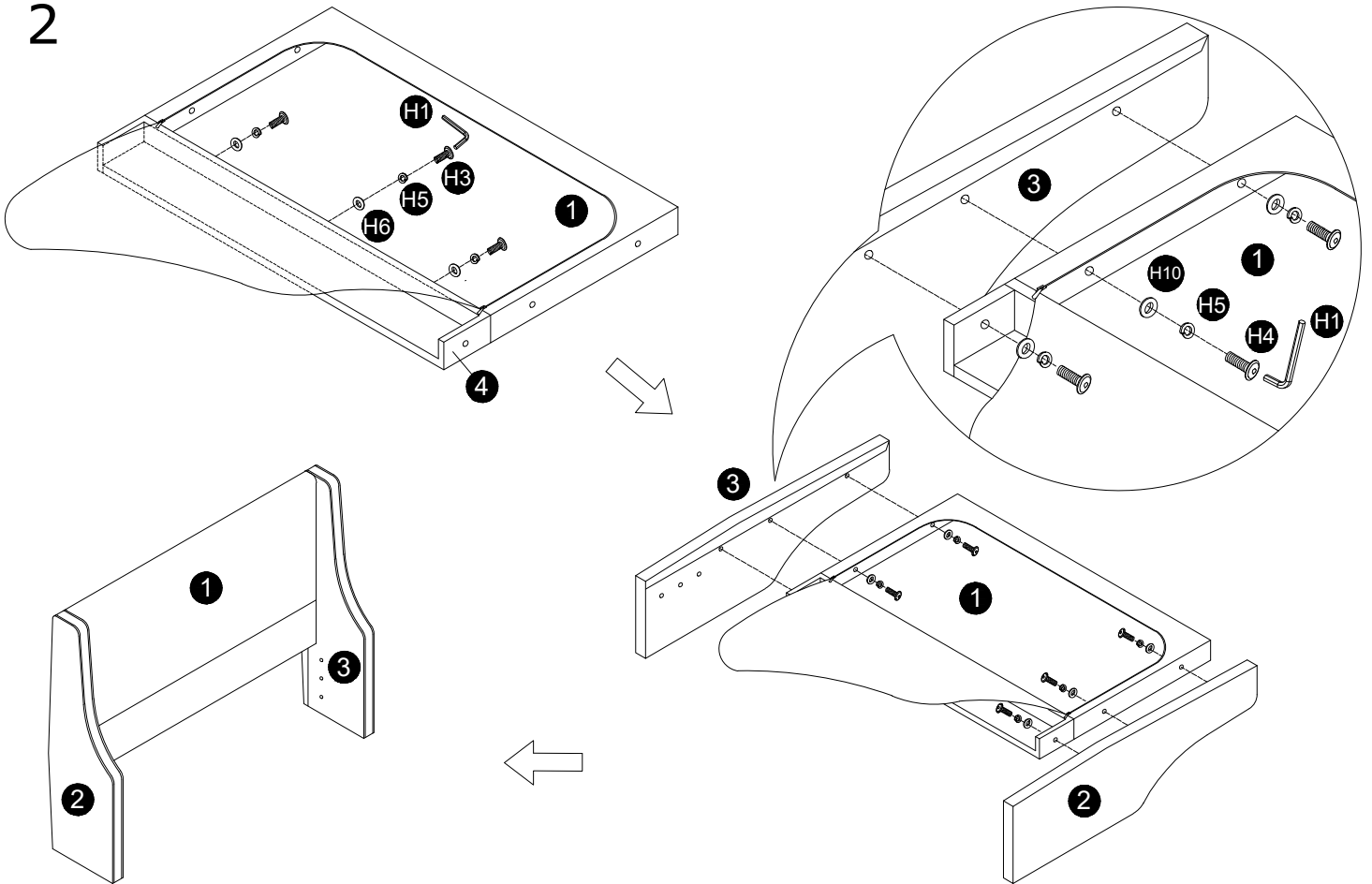
H10 M8x22mm x 12pcs

**1** **NOTE:** PLEASE OPEN THE ZIPPER ON THE BACK OF **1** AND TAKE OUT THE PARTS.

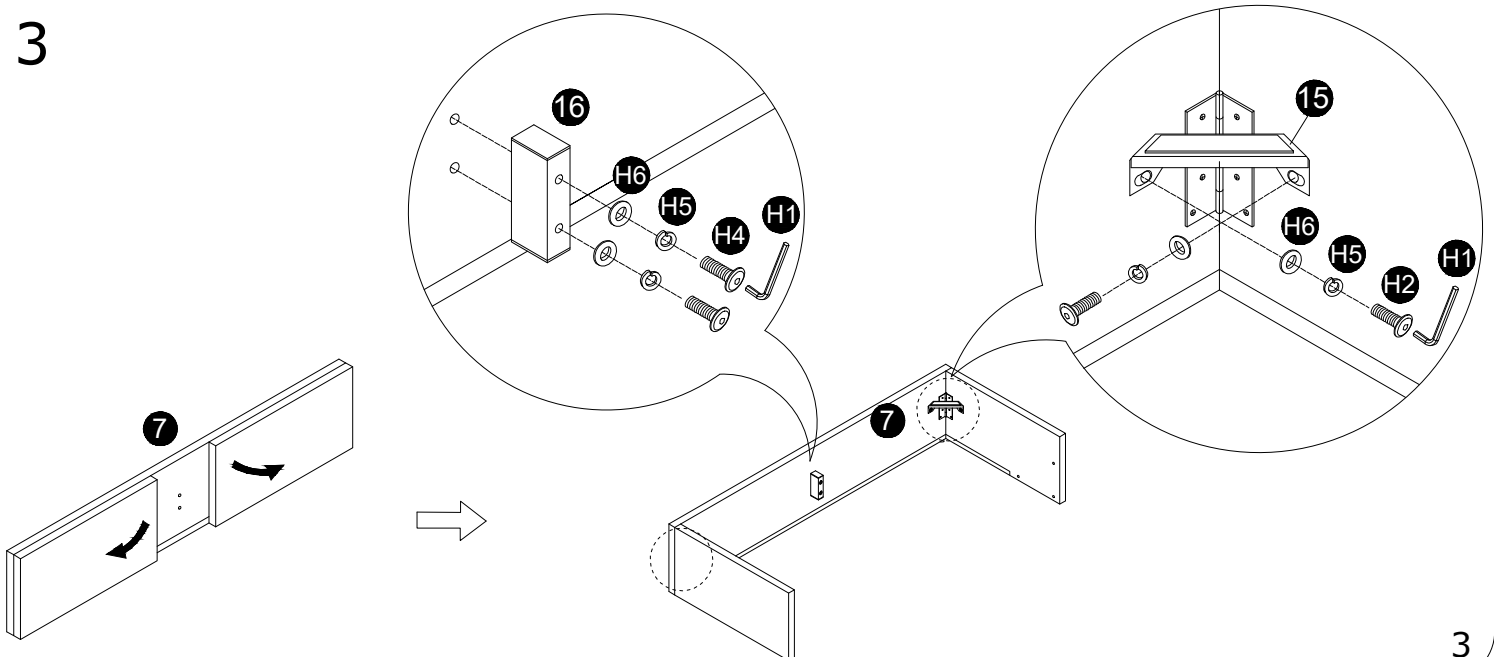
Open the zipper



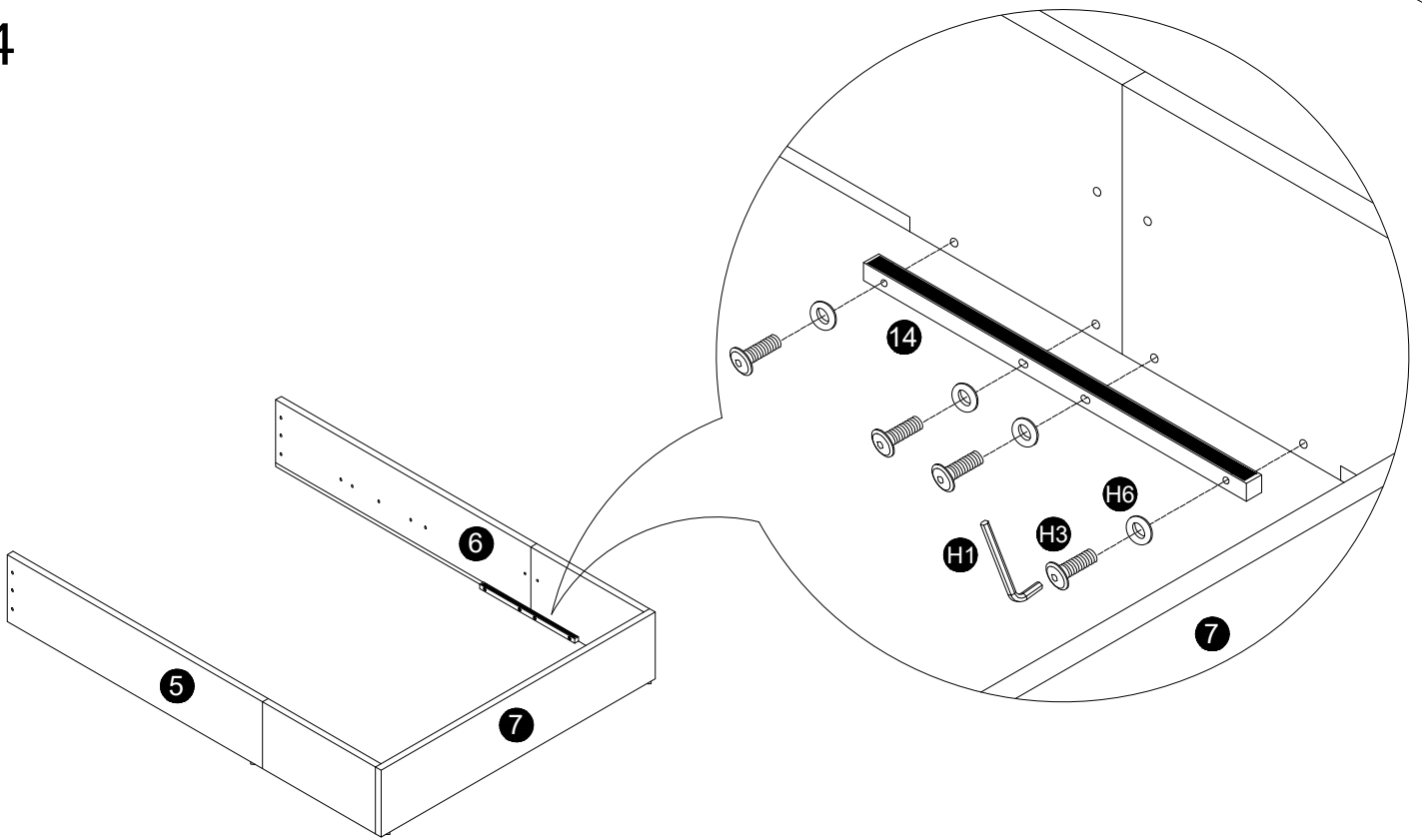
**2**



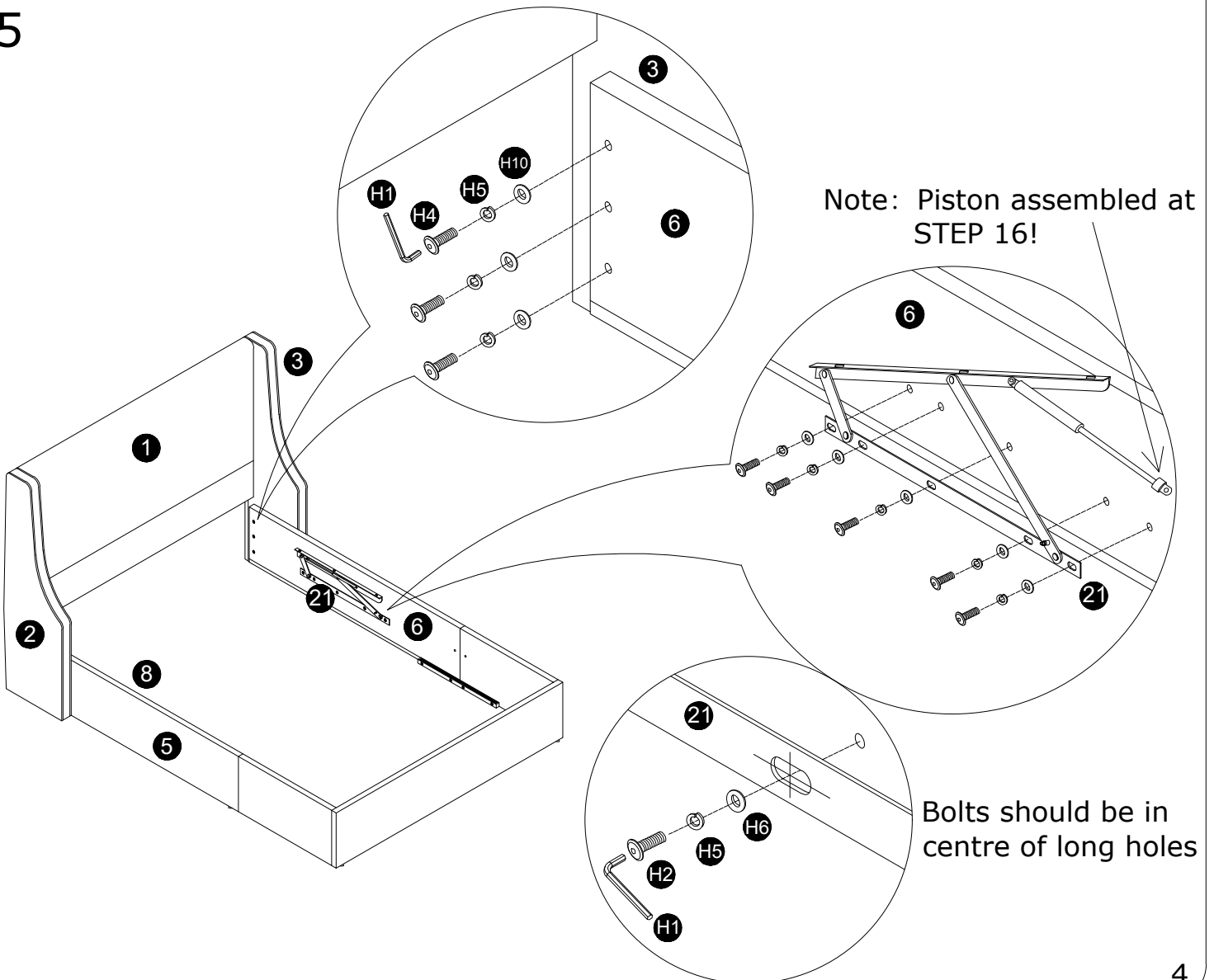
**3**



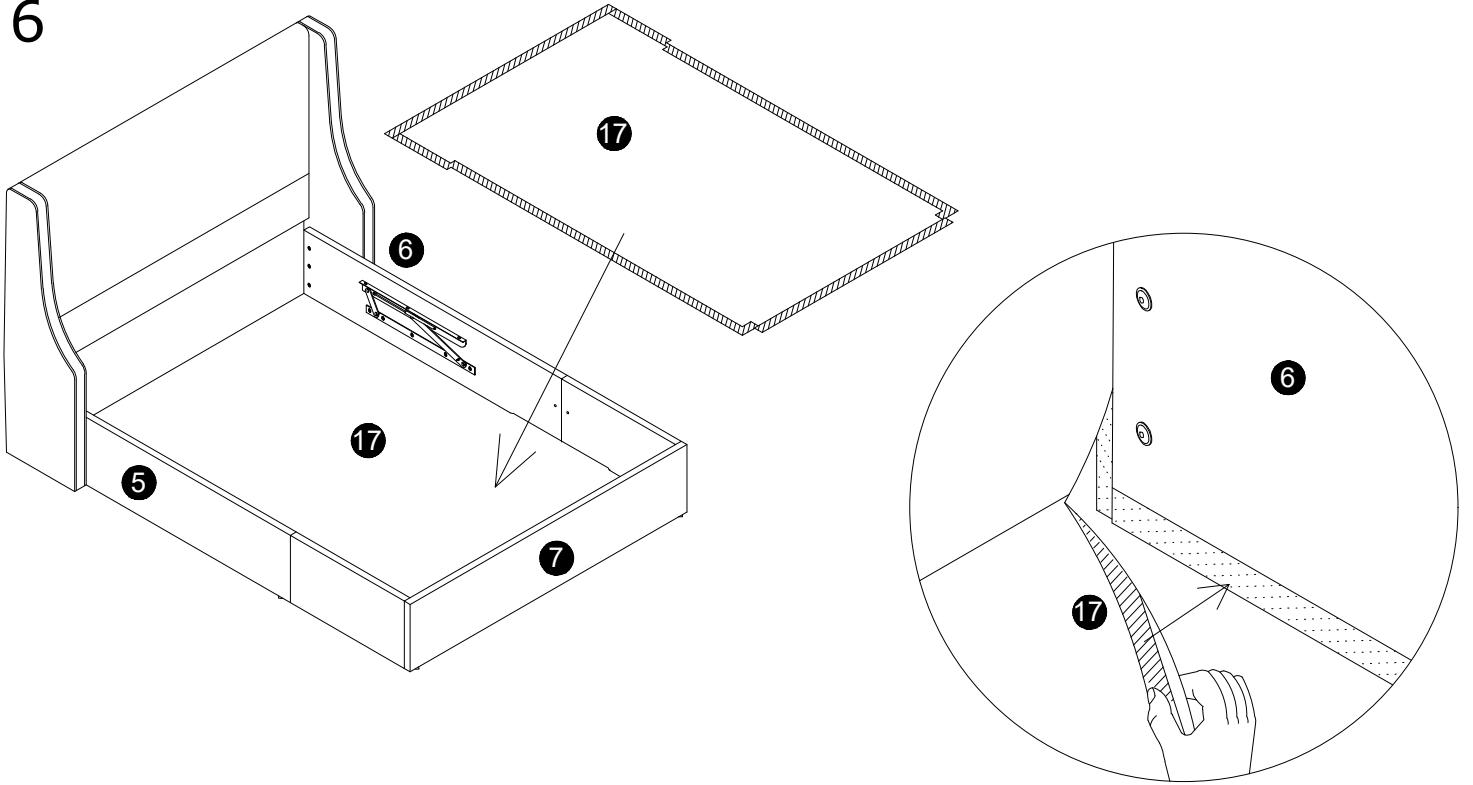
4



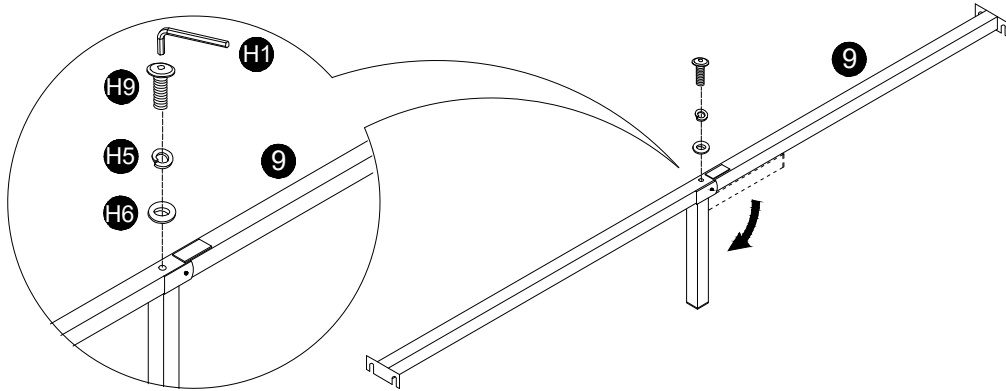
5



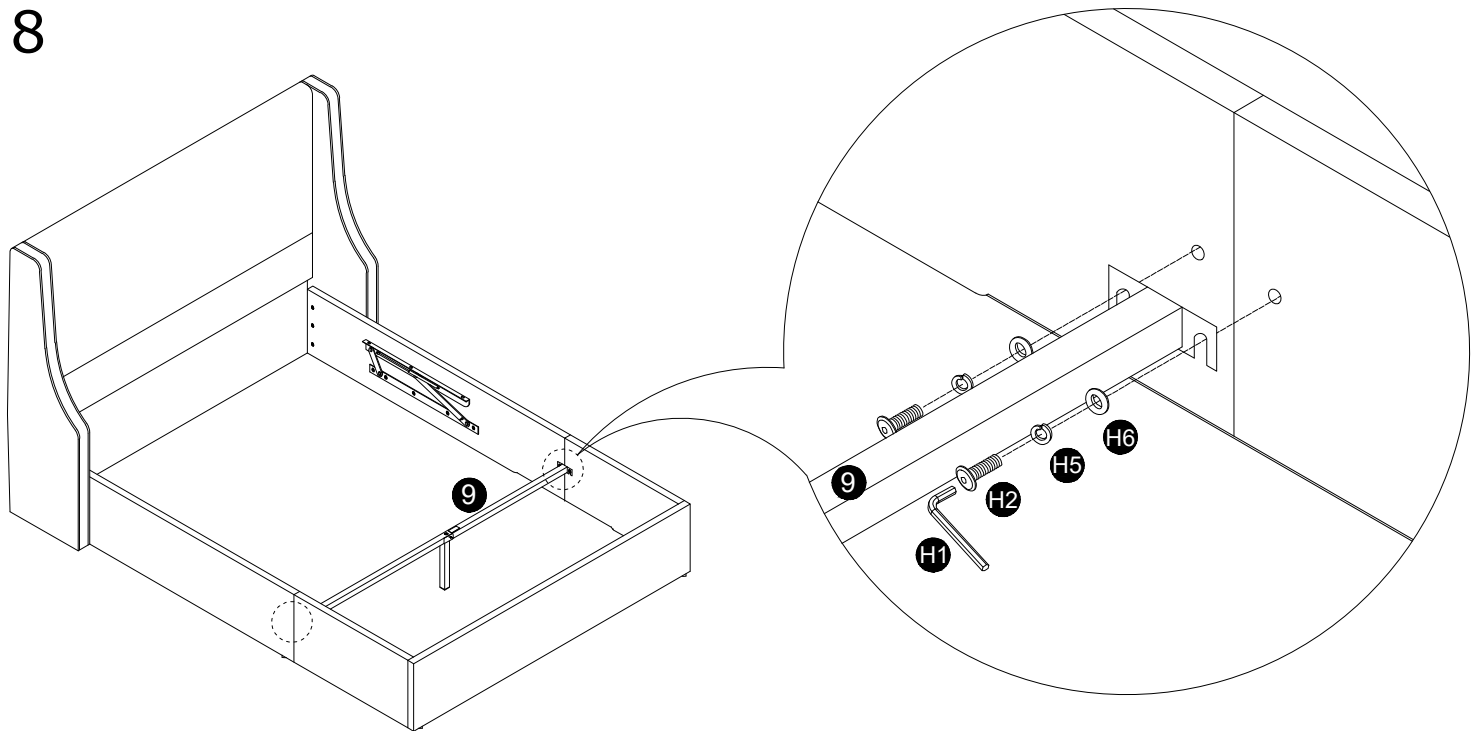
6



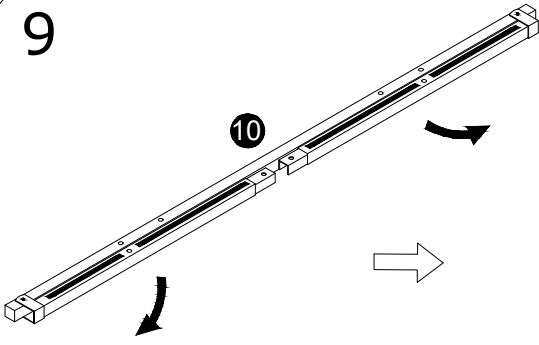
7



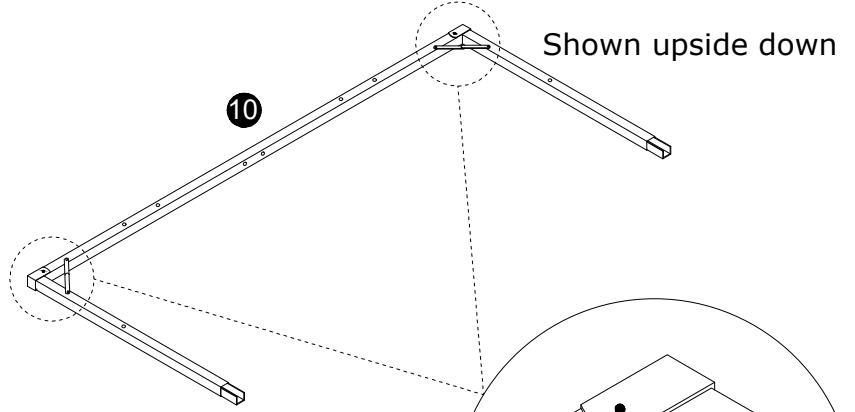
8



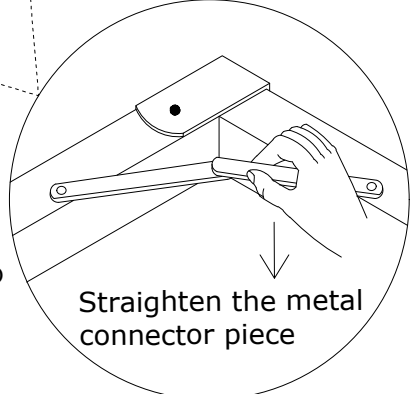
9



10



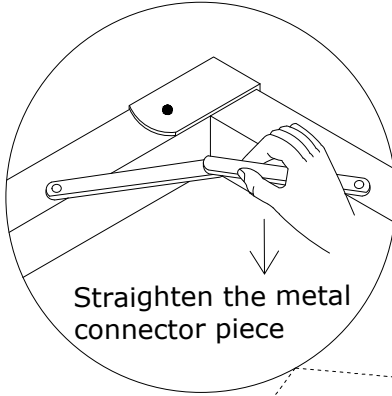
10



BEWARE OF CLAMP HAND

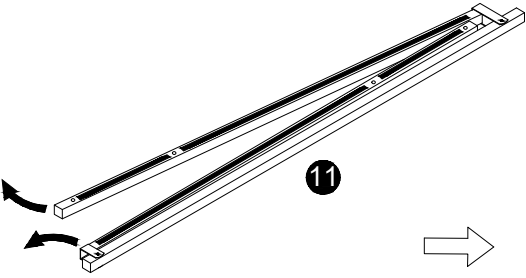
Straighten the metal connector piece

10

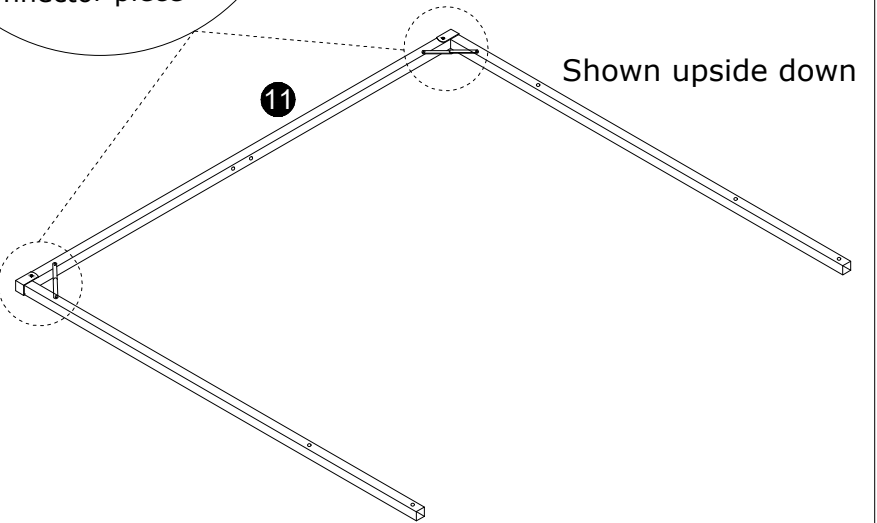


BEWARE OF CLAMP HAND

Straighten the metal connector piece



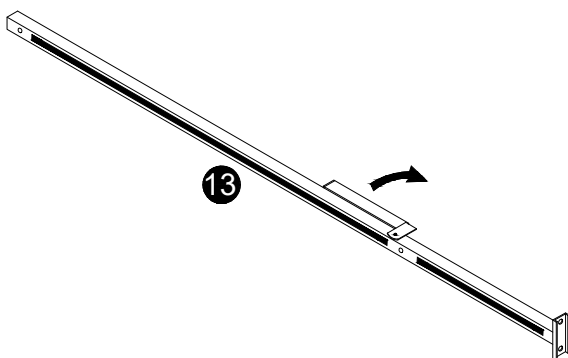
11



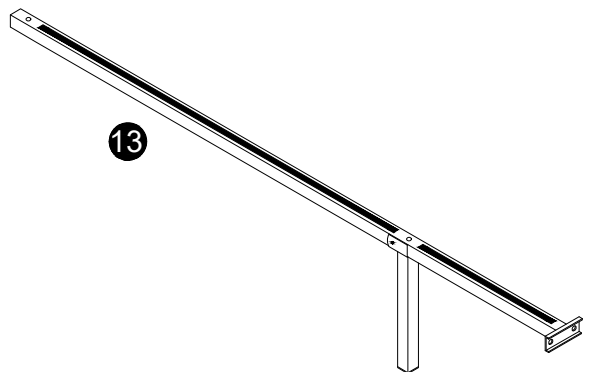
11

Shown upside down

11

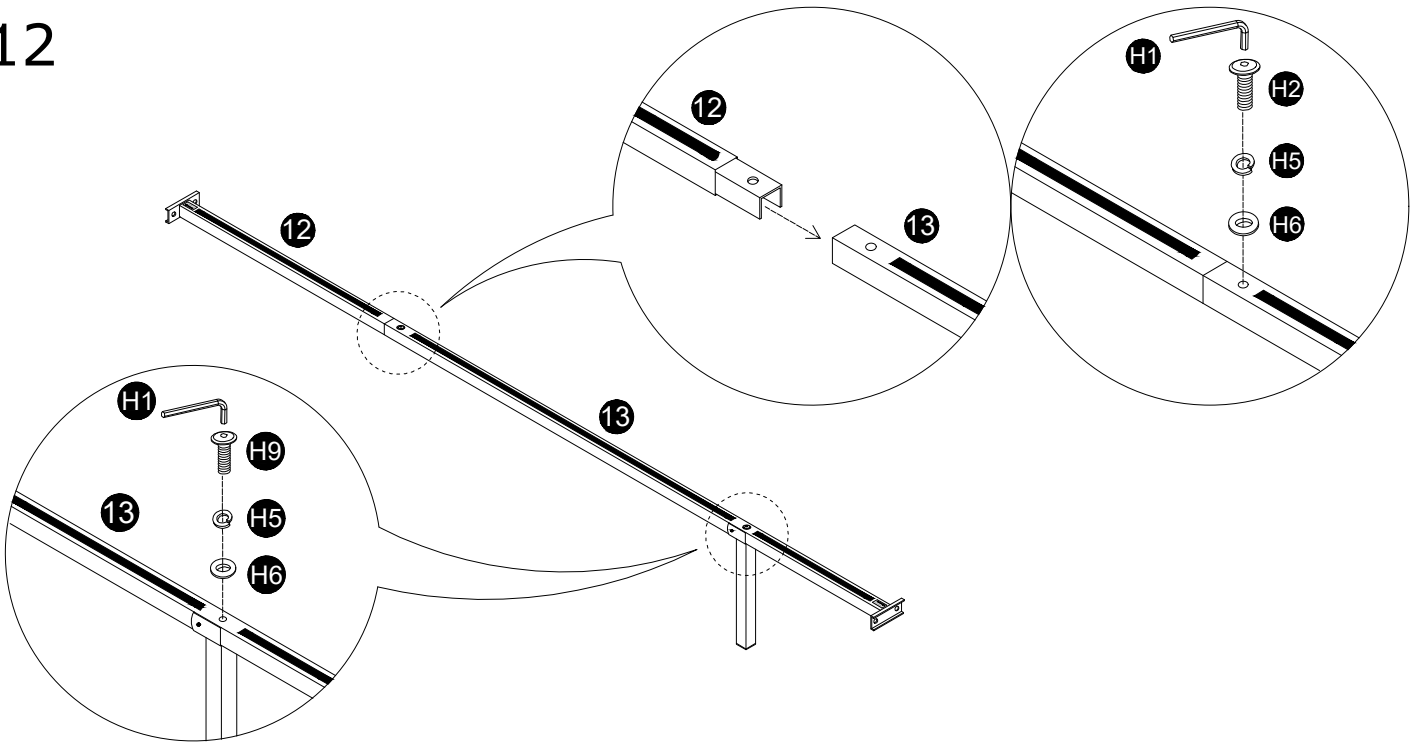


13

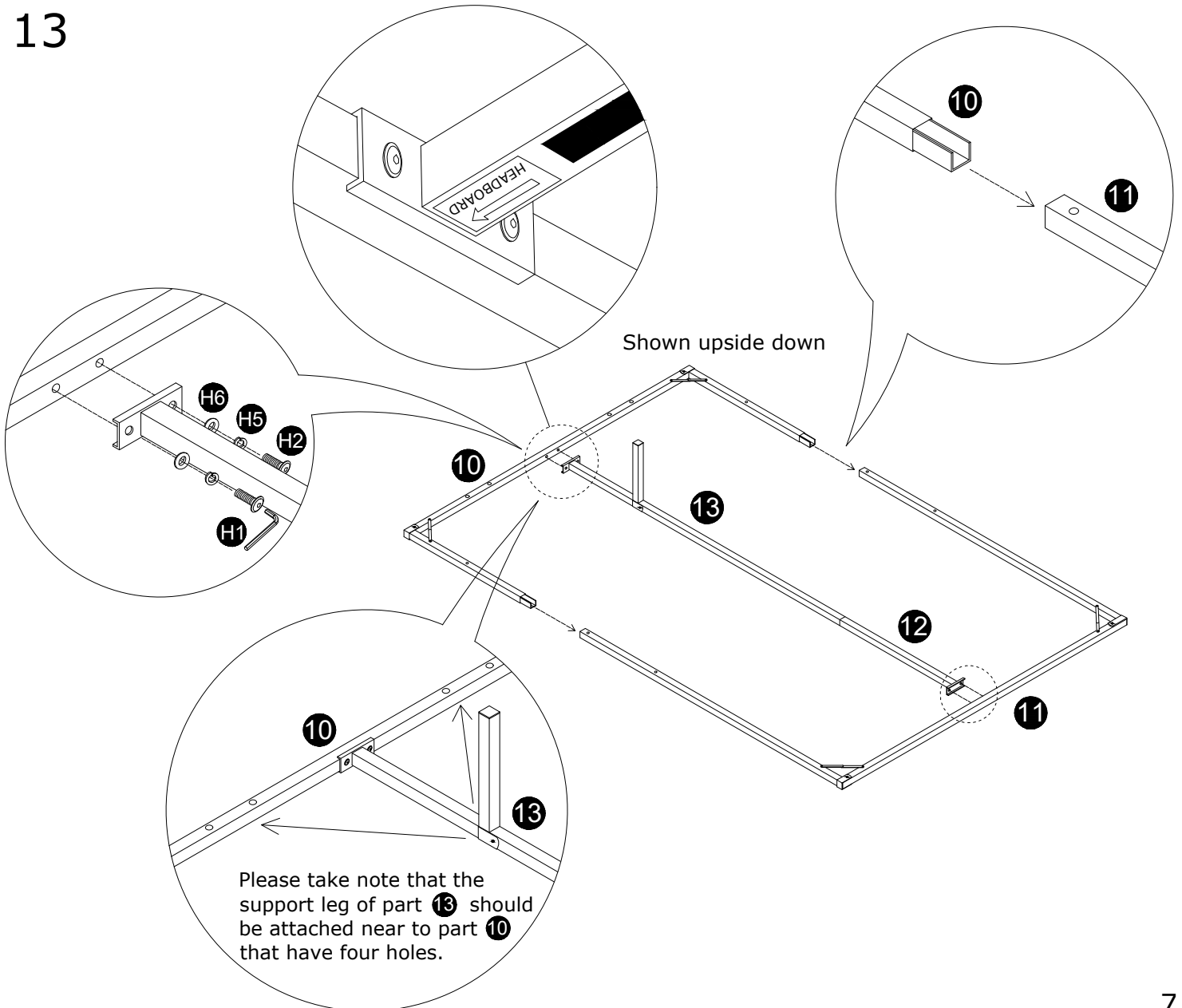


13

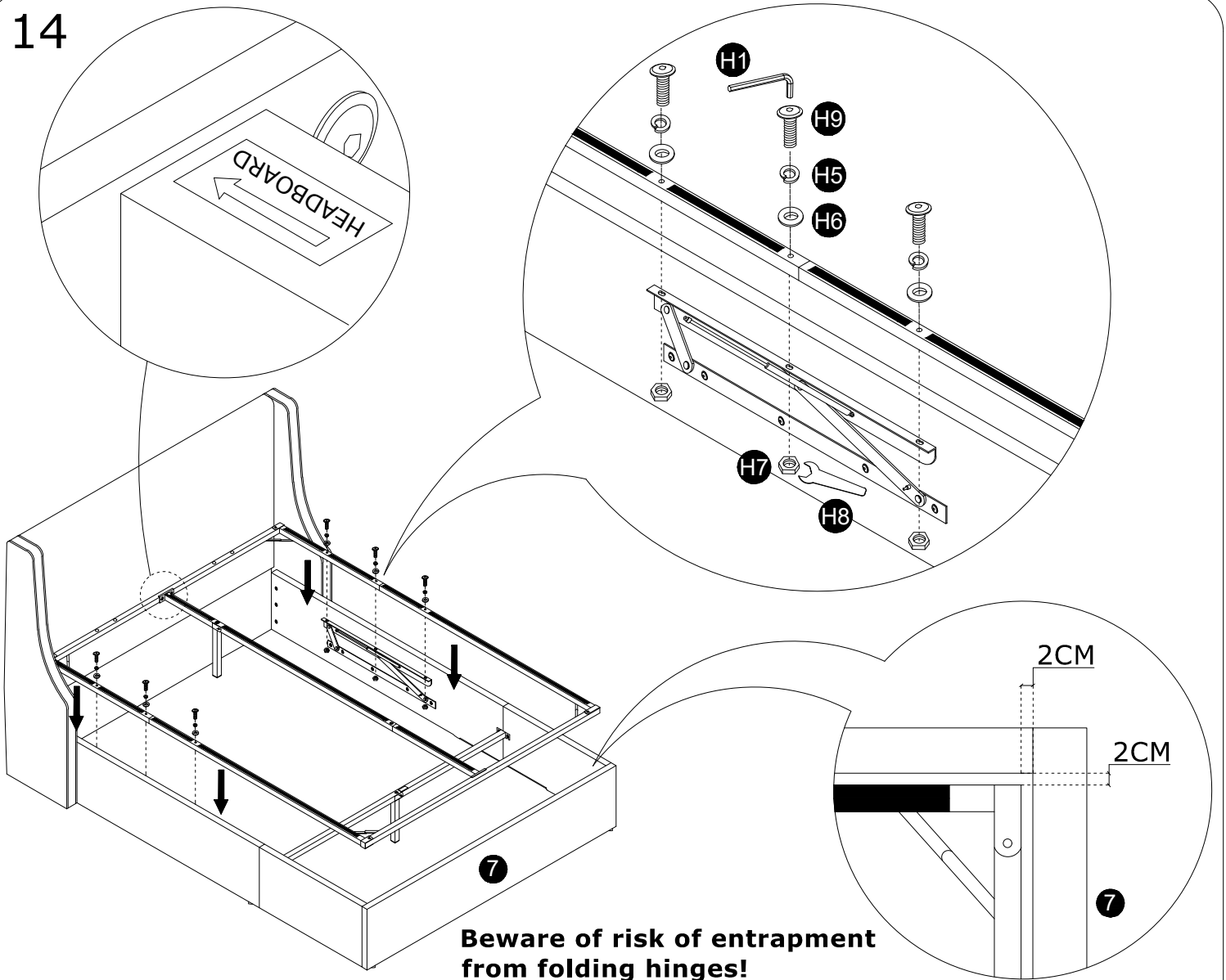
12



13

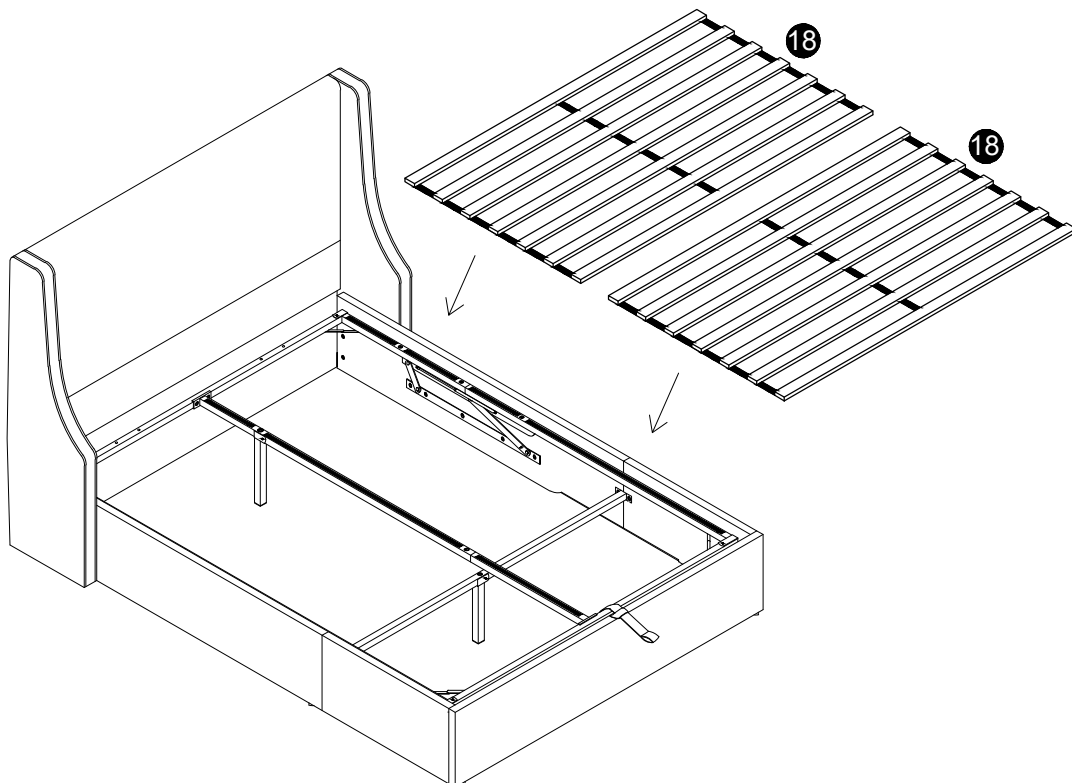


14

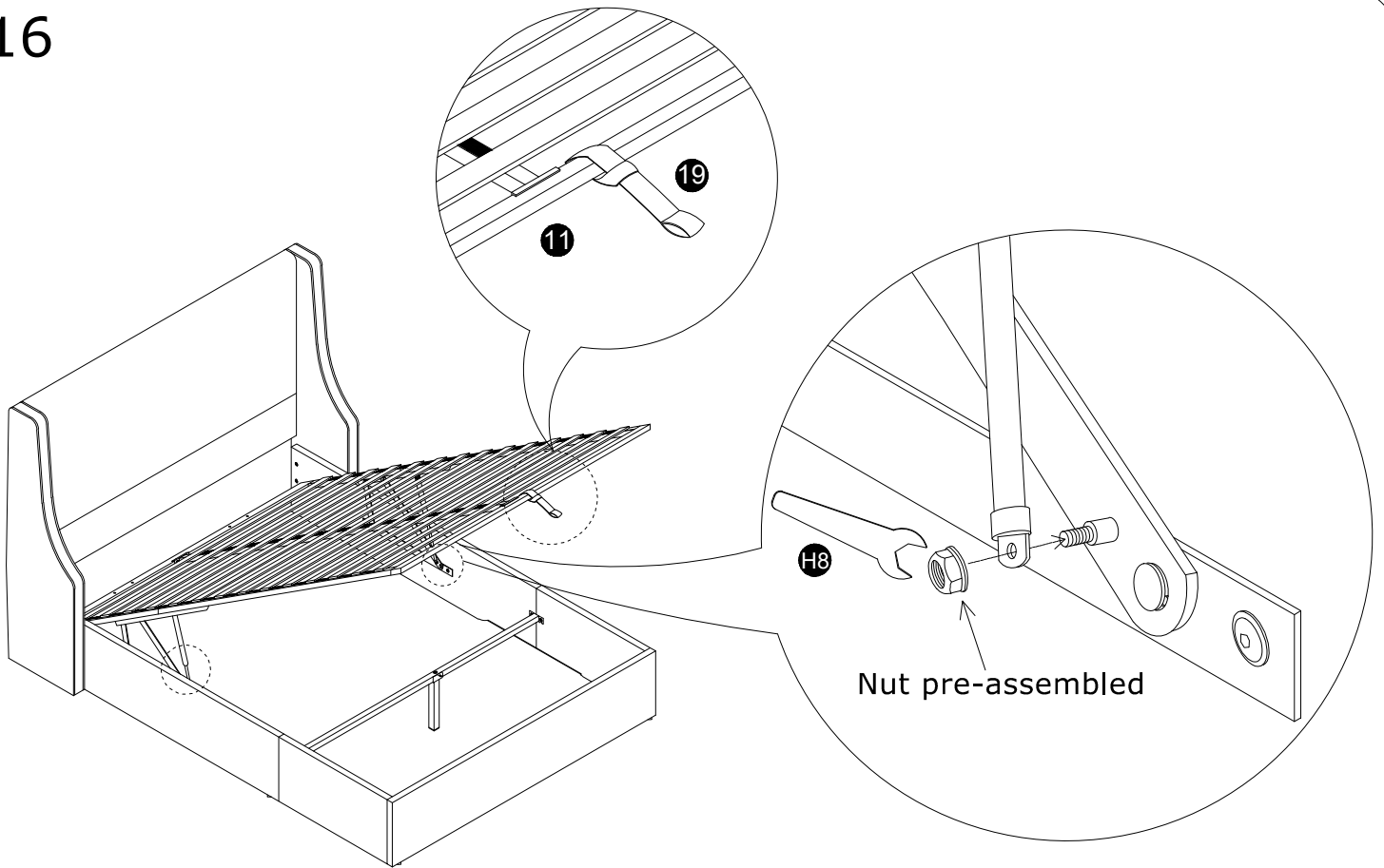


**Beware of risk of entrapment from folding hinges!**

15

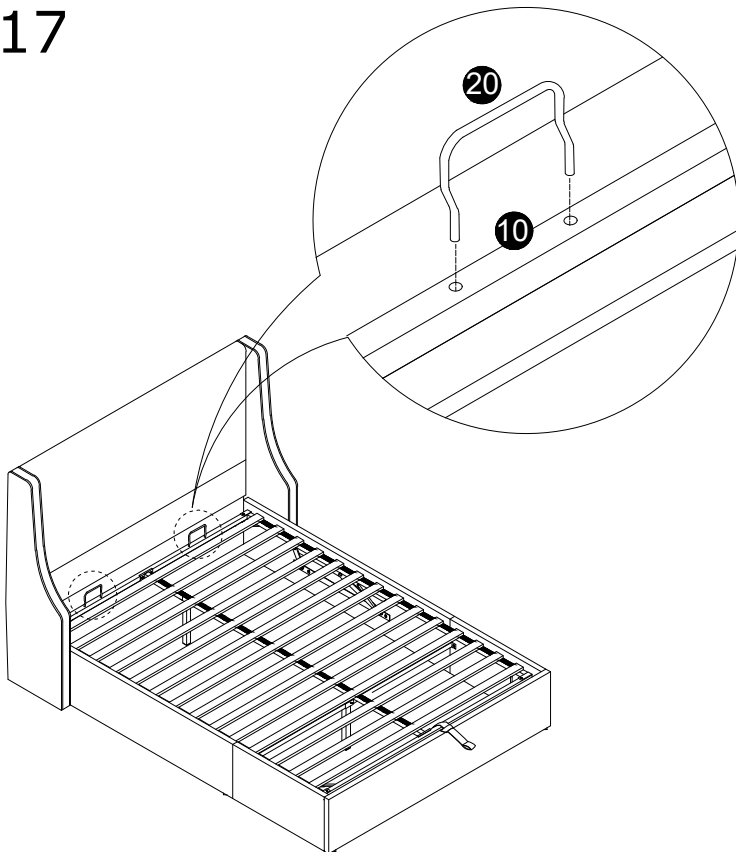


16

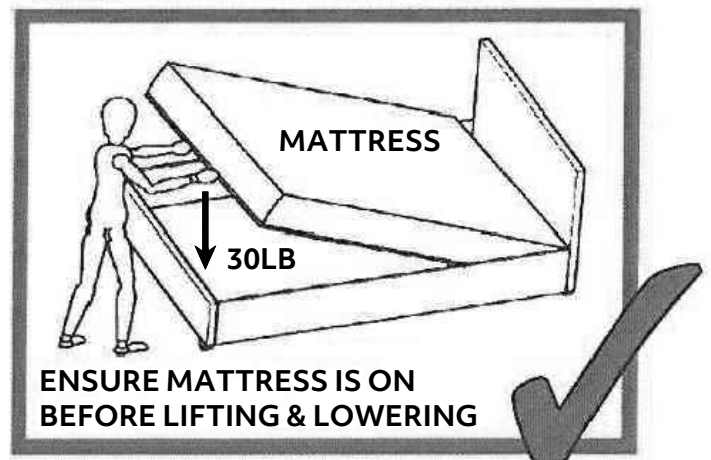


**Important:** Two people required.  
Frame to be fully supported at all times!

17



After placing the mattress on frame,  
push down the frame with 30lbs force.



**Job Complete !**

*In the interest of our environment please dispose of all packaging thoughtfully.*