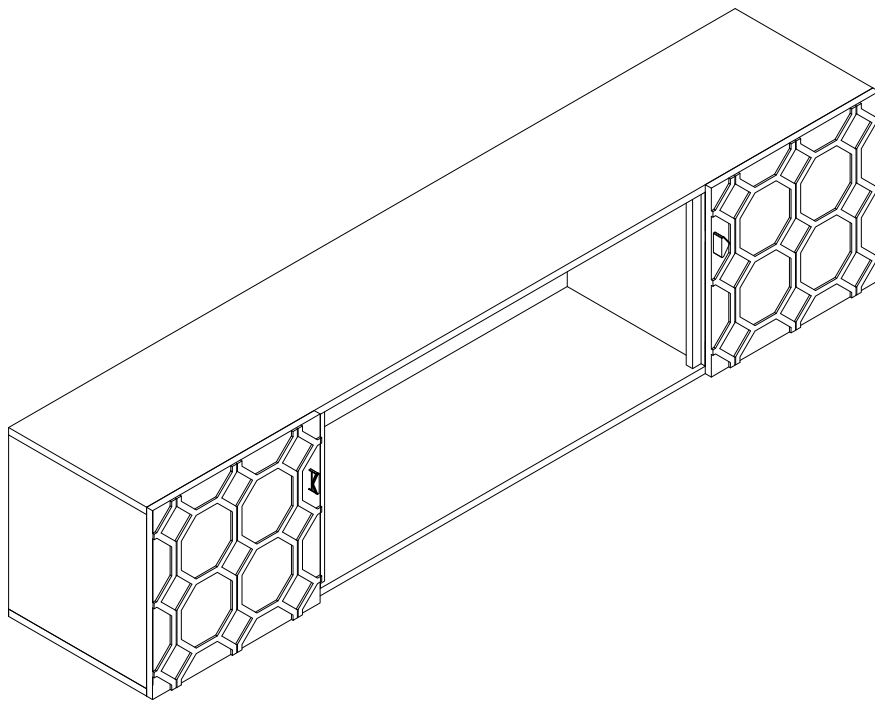
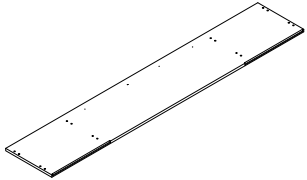
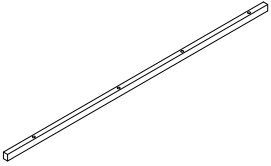
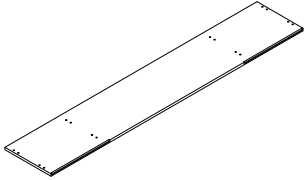
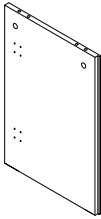

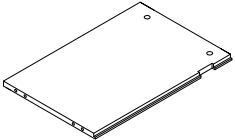


ASSEMBLY INSTRUCTIONS

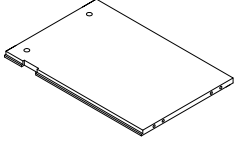

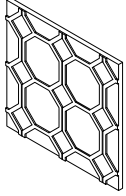
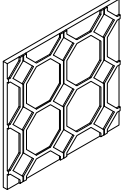
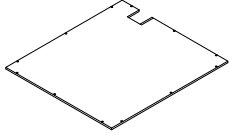


ASSEMBLY INSTRUCTIONS

Parts List:

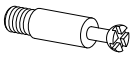

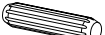

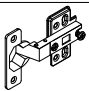



| ITEM | DESCRIPTION | PART | QTY |
|------|--------------|---|-----|
| 1 | Top panel |  | 1 |
| 2 | Upper rail |  | 1 |
| 3 | Bottom panel |  | 1 |
| 4 | Left side |  | 1 |
| 5 | Right side |  | 1 |
| 6 | Left divider |  | 1 |

Parts List:

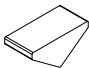



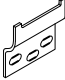



| ITEM | DESCRIPTION | PART | QTY |
|------|---------------|---|-----|
| 7 | Right divider |  | 1 |
| 8 | Front rail |  | 2 |
| 9 | Left Door |  | 1 |
| 10 | Right Door |  | 1 |
| 11 | Back panel |  | 2 |

ASSEMBLY INSTRUCTION

Hardware List:

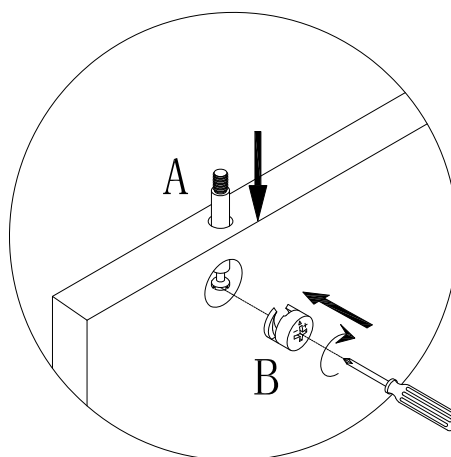
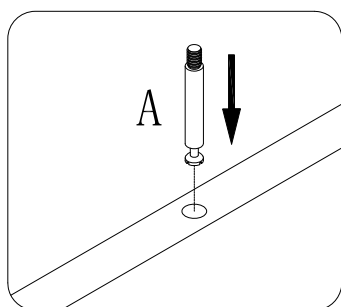
| ITEM | DESCRIPTION | PART | QTY |
|------|------------------|--|-----|
| A | Camlock bolt |  | 8 |
| B | Camlock |  | 8 |
| C | Wood Dowel |  $\Phi 8 * 30 \text{mm}$ | 16 |
| D | Bolt |  $\Phi 1/4" * 1"$ | 8 |
| E | Door fitting |  | 4 |
| F | Wood screw |  $\Phi 3.5 * 12 \text{mm}$ | 24 |
| G | Round head screw |  $\Phi 3 * 12 \text{mm}$ | 24 |
| H | Flat head screw |  $\Phi 4 * 30 \text{mm}$ | 12 |

Hardware List:

| ITEM | DESCRIPTION | PART | QTY |
|------|----------------|--|-----|
| I | Handle |  | 2 |
| J | Machine screw |  $\Phi 5/32" * 3/4"$ | 4 |
| K | Hook |  | 2 |
| L | Allen wrench |  | 1 |
| M | Hanging piece |  | 2 |
| N | Plastic anchor |  | 6 |
| O | Mounting screw |  $\Phi 4 * 38 \text{mm}$ | 6 |
| P | Wood Dowel |  $\Phi 8 * 20 \text{mm}$ | 2 |

- * Required screwdriver & mallet, not included.
- * Before discarding packing materials, please check to make sure that all parts and hardware is present.
- * Two people needed for assembly.
- * Please follow the instructions closely; do not over tighten screws or bolts unless instructed.
- * After a few days from initial assembly, the product may have acclimated to the new environment. Please retighten the hardware.

Guideline For Assembling of Cam Lock(A & B)



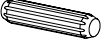


Screw camlock bolt (A) to wood part.

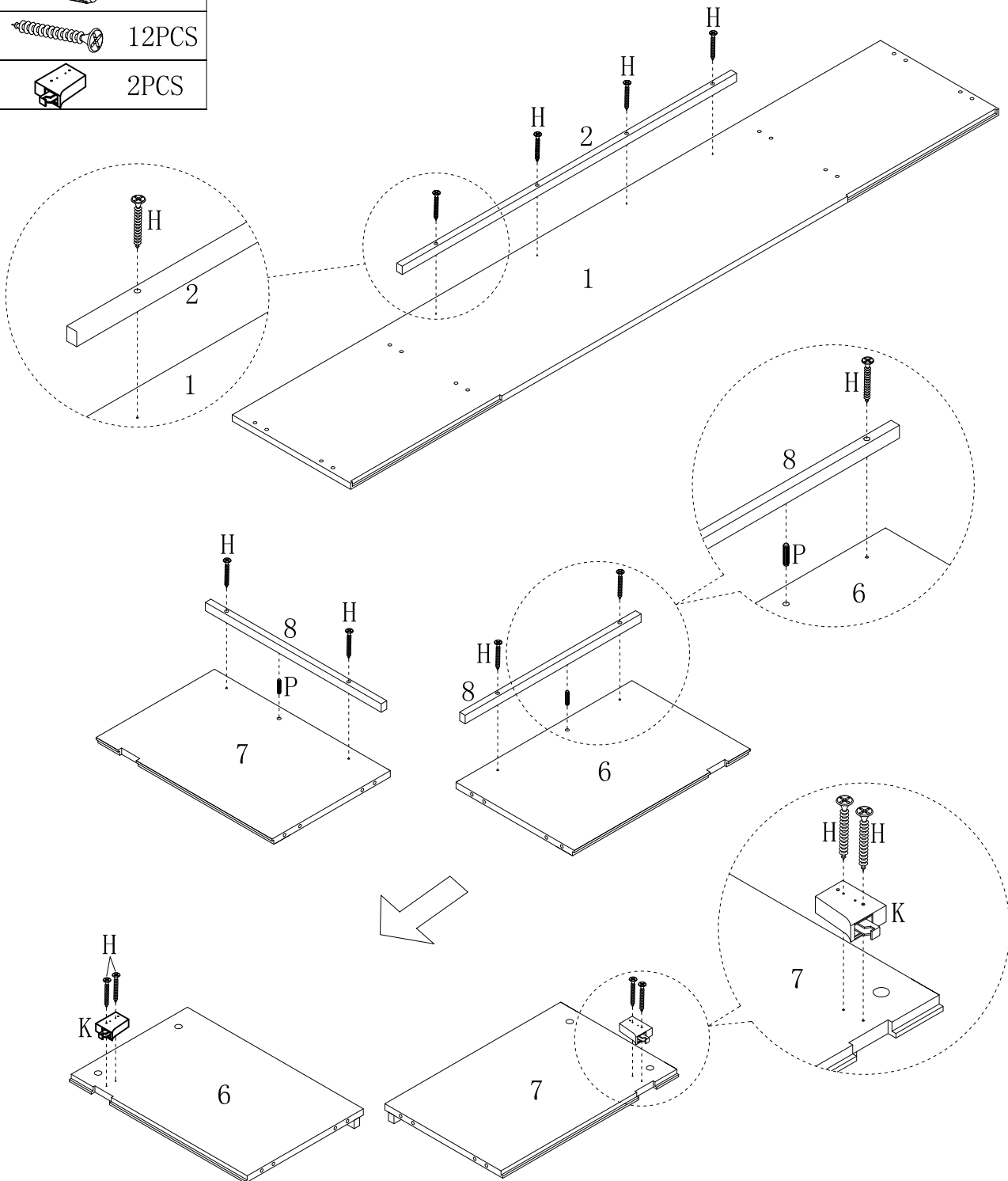
Do not assemble camlock (B) unless instructed.

To assemble camlock (B), ensure long side of the + is facing the bolt (A) before inserting into hole.



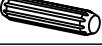


ASSEMBLY INSTRUCTION

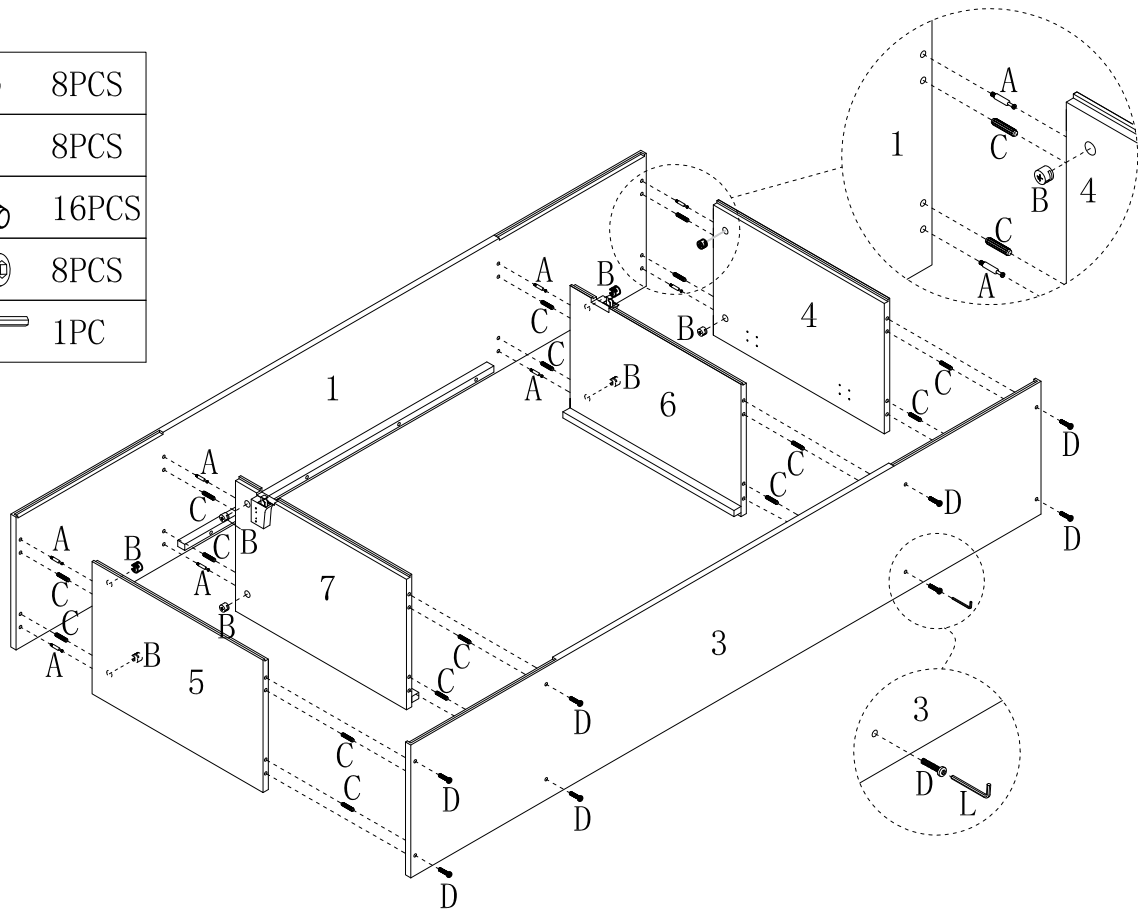
STEP 1

| | | |
|----|---|-------|
| P: |  | 2PCS |
| H: |  | 12PCS |
| K: |  | 2PCS |



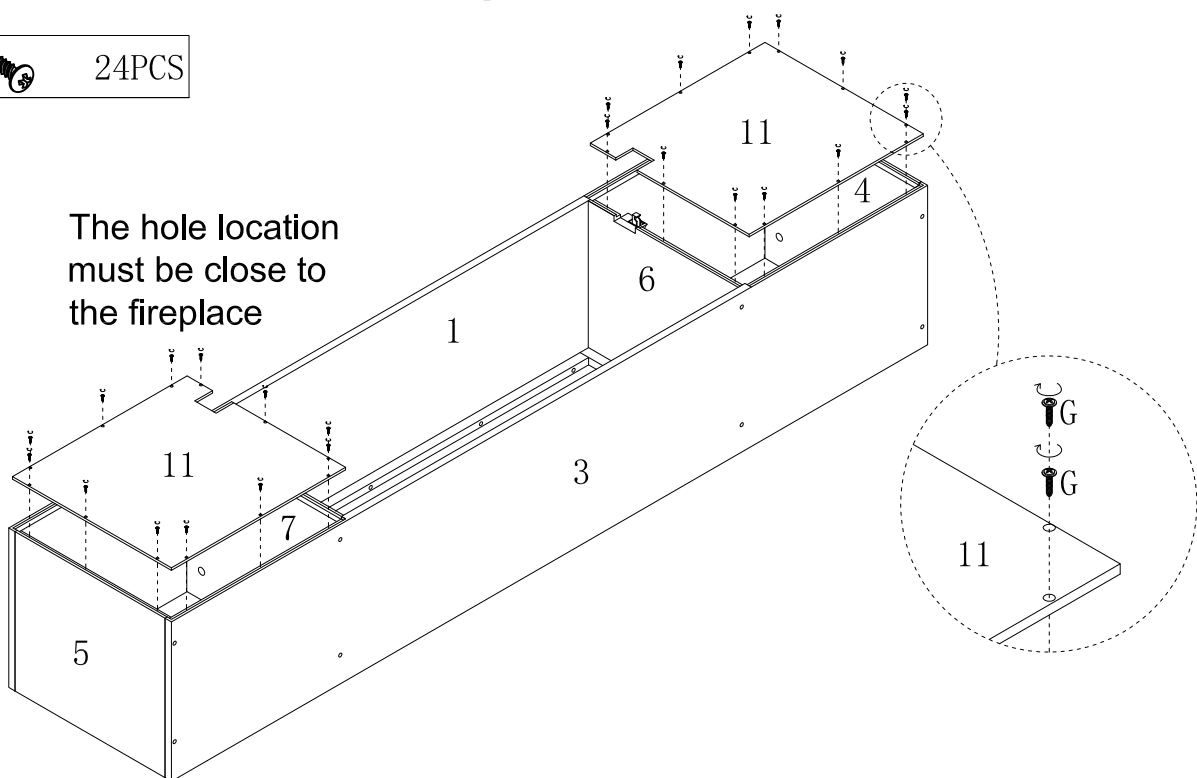
STEP 2

| | | |
|----|---|-------|
| A: |  | 8PCS |
| B: |  | 8PCS |
| C: |  | 16PCS |
| D: |  | 8PCS |
| L: |  | 1PC |



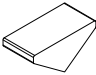



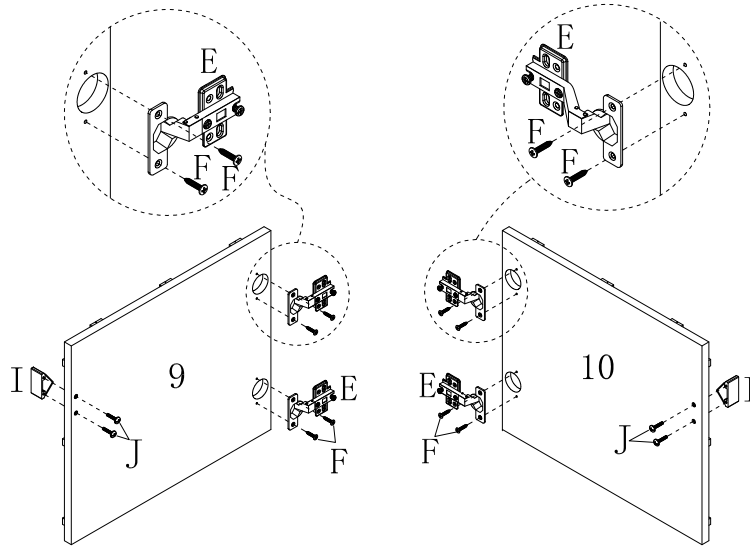
STEP 3

| | | |
|----|---|-------|
| G: |  | 24PCS |
|----|---|-------|



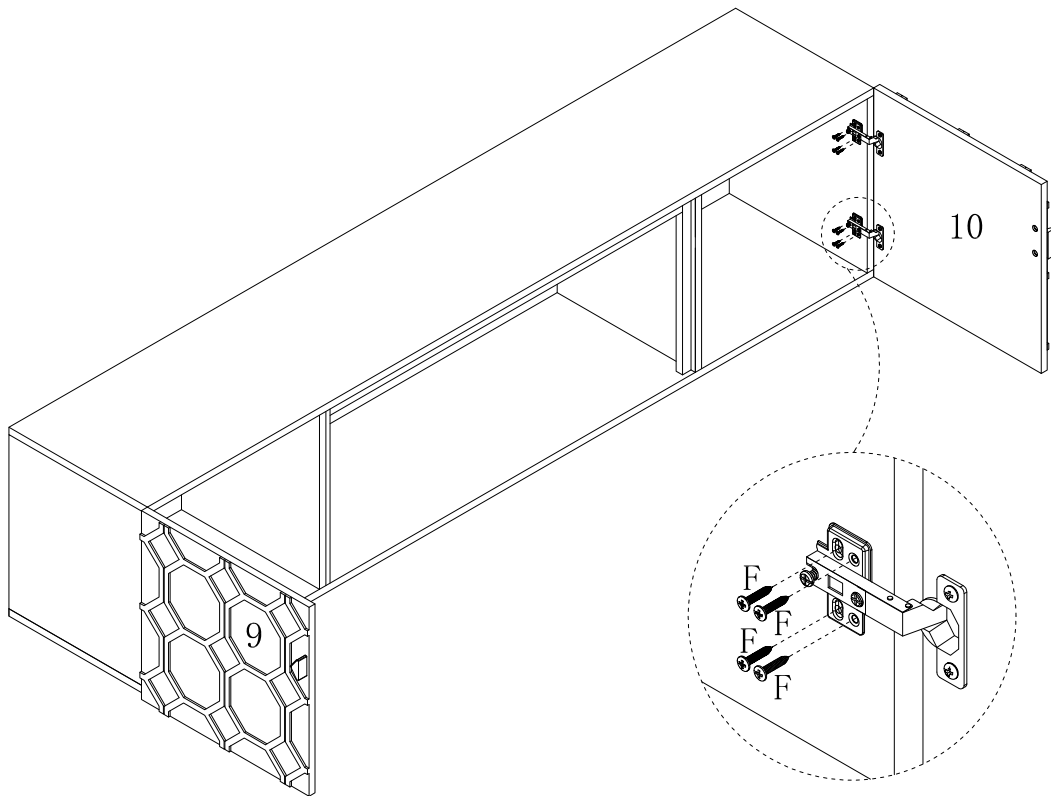
STEP 4

| | | |
|----|---|------|
| E: |  | 4PCS |
| F: |  | 8PCS |
| I: |  | 2PCS |
| J: |  | 4PCS |

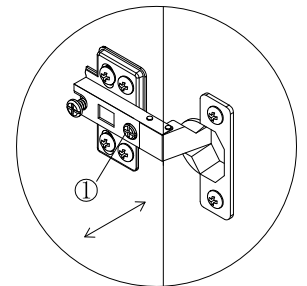


STEP 5

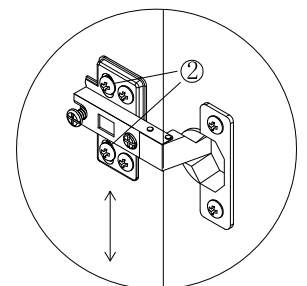
| | | |
|----|---|-------|
| F: |  | 16PCS |
|----|---|-------|



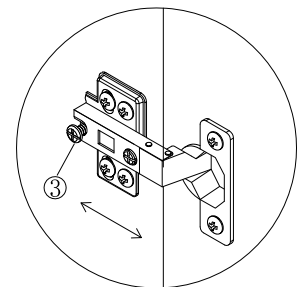
DOOR FITTING



To adjust in width



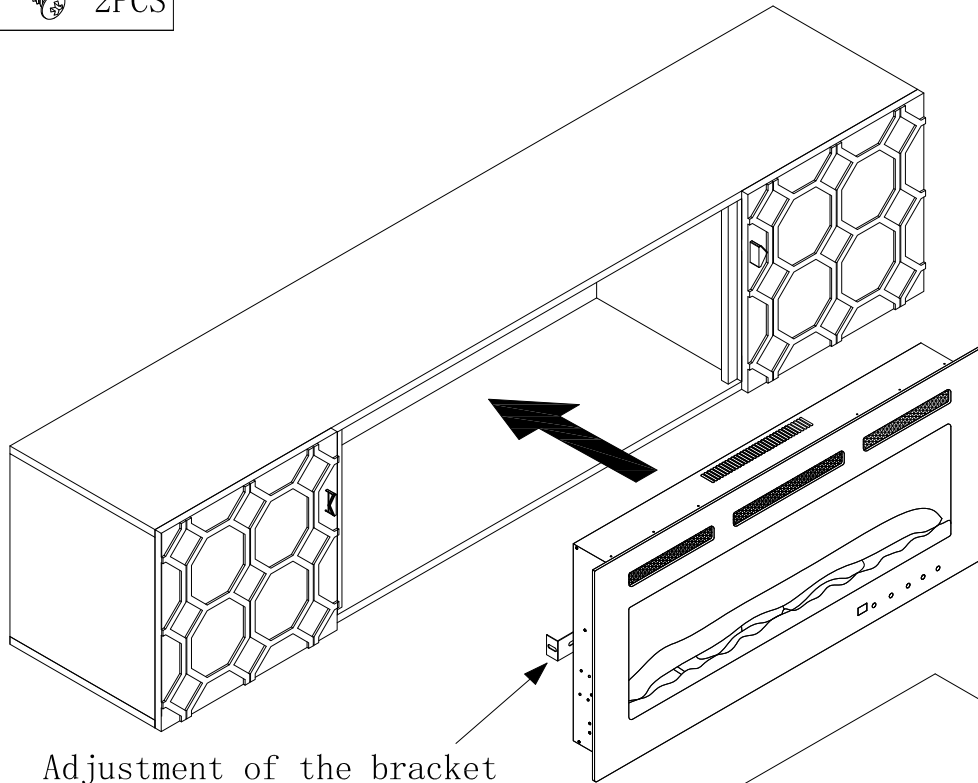
To adjust in height



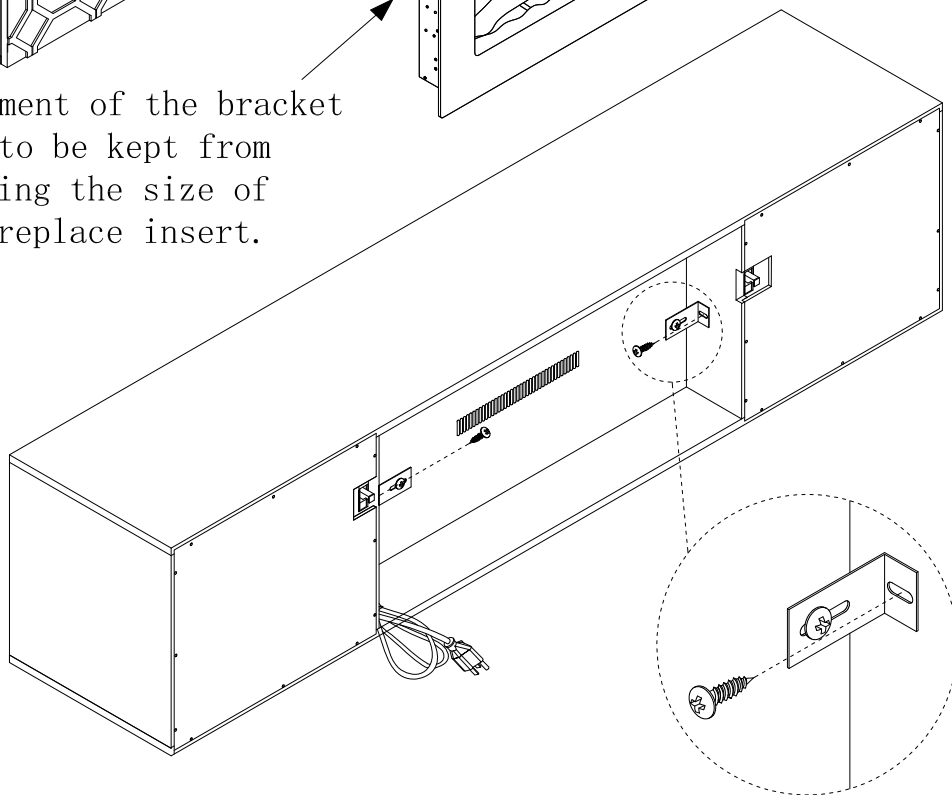
To adjust in depth

STEP 6

Screw:  2PCS



Adjustment of the bracket needs to be kept from exceeding the size of the fireplace insert.



A Guide to Wall Mounting & Fixings

Important note:

If plastic wall plugs (rawl plugs) are supplied with your product, e.g.:



- these are only suitable for use in masonry walls.

If you are in any doubt about the correct wall plugs for your wall, seek professional advice.


Failure of the product due to using the incorrect fixings is the responsibility of the installer.



Important: when drilling into walls always check that there are no hidden wires or pipes etc.

Make sure that the screws and wall plugs being used are suitable for **supporting your unit**. **Consult a qualified tradesperson if you are unsure.**

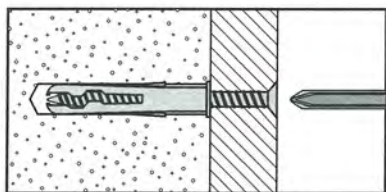
Hints:

- 1: General rule:  always use a larger screw and wall plug if you are not sure.
- 2: Ensure you use the recommended drill bit to match the wall plug and hole size.
- 3: Ensure you drill the hole horizontally; do not force the drill or enlarge the hole.
- 4: Take extra care when drilling high walls, ceilings and ceramic tiles. Ensure wall plugs are inserted beyond the thickness of the ceramic tiles to avoid the tiles splitting or cracking.
- 5: Ensure wall plugs are well fitted and are a tight fit in the drilled hole.

Types of walls

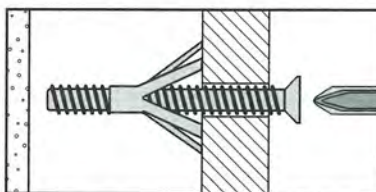
You can use one of the following types of wall plug if your walls are made of brick, breeze block, concrete, stone or wood.

No.1 "General Purpose" wall plug



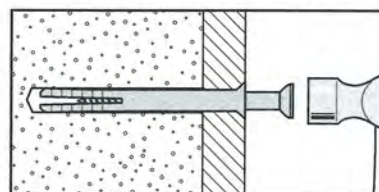
Generally aerated blocks should not be used to support heavy loads, use a specialist fitting in this case. For light loads, general purpose wall plugs can be used.

No.3 "Cavity Fixing" wall plug



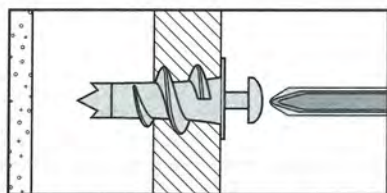
For use with plasterboard partitions or hollow wooden doors.

No.5 "Hammer Fixing" wall plug



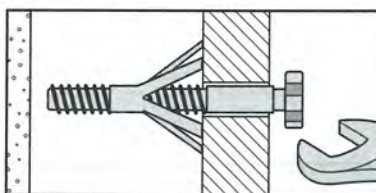
For use with walls stuck with plasterboard. The hammer fixing allows it to be fixed to the wall rather than the plasterboard. Always check the fixing is secure to the retaining wall.

No.2 "Plasterboard" wall plug



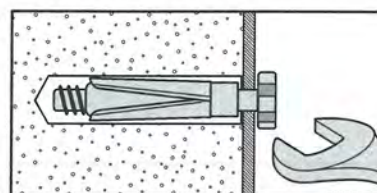
For use when attaching light loads onto plasterboard partitions.

No.4 "Cavity Fixing - Heavy Duty" wall plug



For use when fitting or supporting heavy loads such as shelving, wall cabinets and coat racks.

No.6 "Shield Anchor" wall plug - heavy loads



For use with heavier loads such as TV and HiFi speakers and satellite dishes etc.


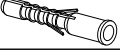



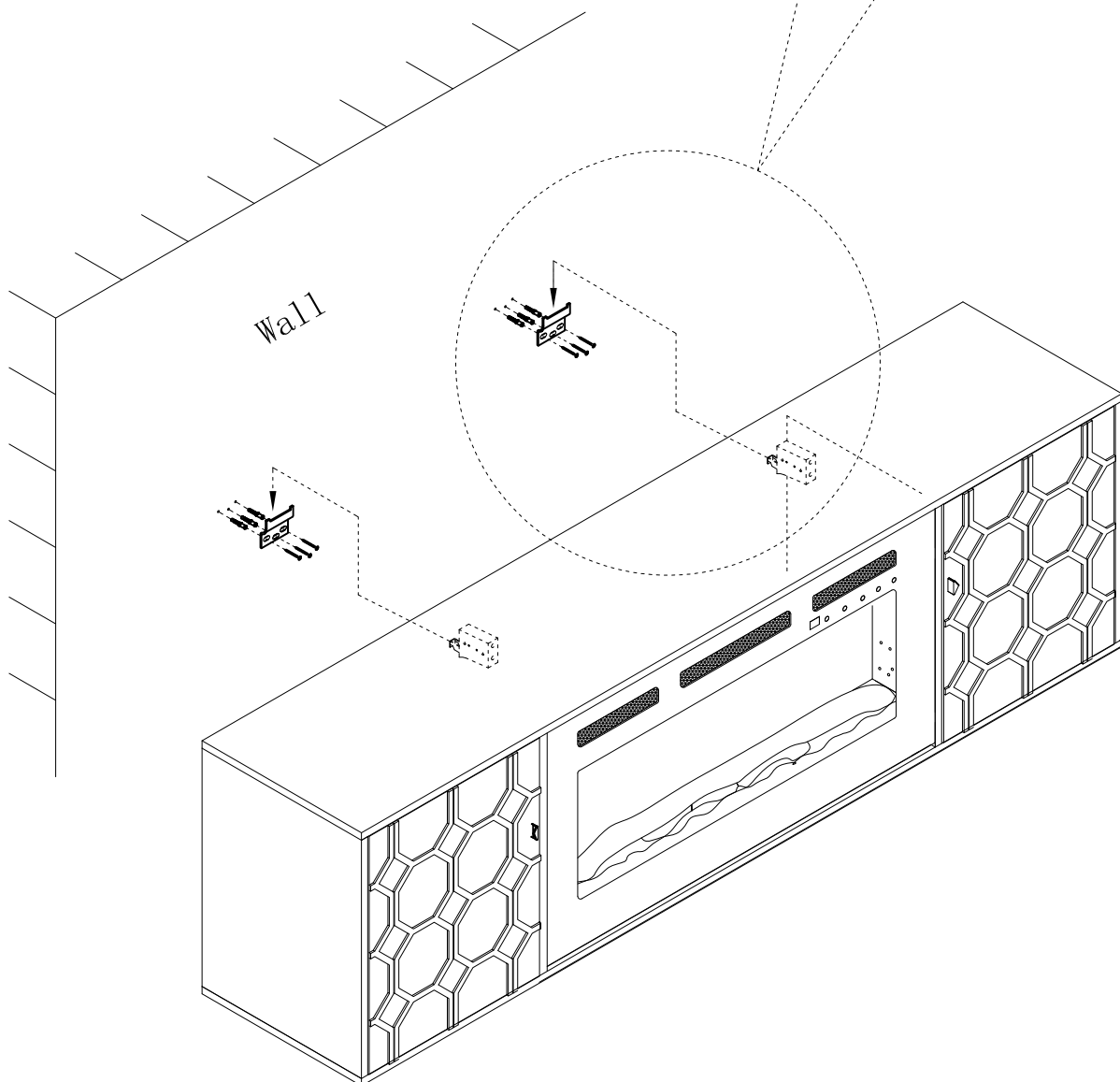
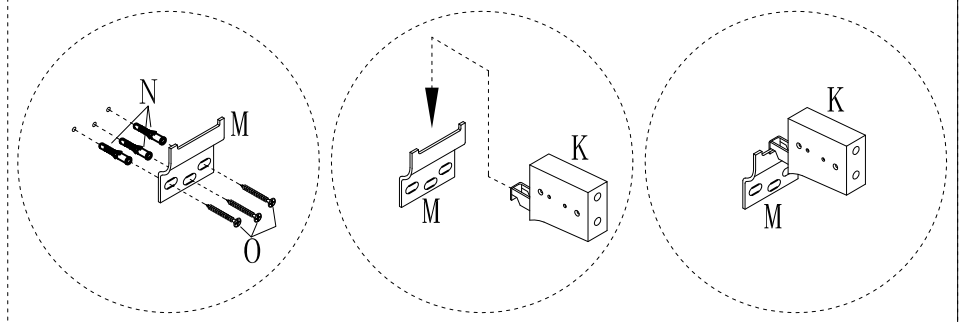
Care & Maintenance

Safety: always check the fitting and location to ensure your safety in and around the home.

Fitting: from time to time check the fitting to ensure the wall plugs or screws do not become loose.

STEP 7

| | | |
|----|---|------|
| M: |  | 2PCS |
| N: |  | 6PCS |
| O: |  | 6PCS |



1. Note1: Suitable wall for wood wall, plastered wall, and solid wall (not suitable for cavity wall or gypsum board wall).
2. Note2: Always ensure the wall to be drilled is free from hidden electrical wires, water and gas pipes.